

US00D634790S

(12) **United States Design Patent**
Isetani et al.

(10) **Patent No.:** **US D634,790 S**
(45) **Date of Patent:** **** Mar. 22, 2011**

(54) **GAME MACHINE**

(75) Inventors: **Yoshitsugu Isetani**, Tokyo (JP); **Yukie Tahara**, Tokyo (JP); **Nobufumi Uto**, Tokyo (JP); **Takao Kumaki**, Tokyo (JP)

(73) Assignee: **Konami Digital Entertainment Co., Ltd.**, Tokyo (JP)

(**) Term: **14 Years**

(21) Appl. No.: **29/348,733**

(22) Filed: **Feb. 2, 2010**

(30) **Foreign Application Priority Data**

Aug. 6, 2009 (JP) D2009-018089

(51) **LOC (9) Cl.** **21-01**

(52) **U.S. Cl.** **D21/324; D21/325; D21/333**

(58) **Field of Classification Search** D21/324, D21/328, 333; D14/401, 412-416, 496, D14/432; 273/148 B; 463/1, 29-35, 46, 463/47; D17/1, 2; 84/411 R, 412, 418, 421, 84/422.1, 428 R, 453

See application file for complete search history.

(56) **References Cited**

U.S. PATENT DOCUMENTS

5,531,148 A * 7/1996 Wilson 84/412
5,566,911 A * 10/1996 Hoshino 248/124.1

D387,374 S * 12/1997 Kawada D17/22
D412,540 S * 8/1999 Chen D21/405
5,986,197 A * 11/1999 Allen 84/411 M
D441,403 S * 5/2001 Muraki et al. D21/333
D455,792 S * 4/2002 Isetani et al.
D505,424 S * 5/2005 Ashida et al. D14/401
7,294,775 B1 * 11/2007 Spoljaric, Jr. 84/421
D597,142 S * 7/2009 Labeledz et al. D21/325
D607,945 S * 1/2010 Guinchard et al. D21/324
D609,754 S * 2/2010 Labeledz et al. D21/325

* cited by examiner

Primary Examiner — Prabhakar Deshmukh

(74) *Attorney, Agent, or Firm* — Jordan and Hamburg LLP

(57) **CLAIM**

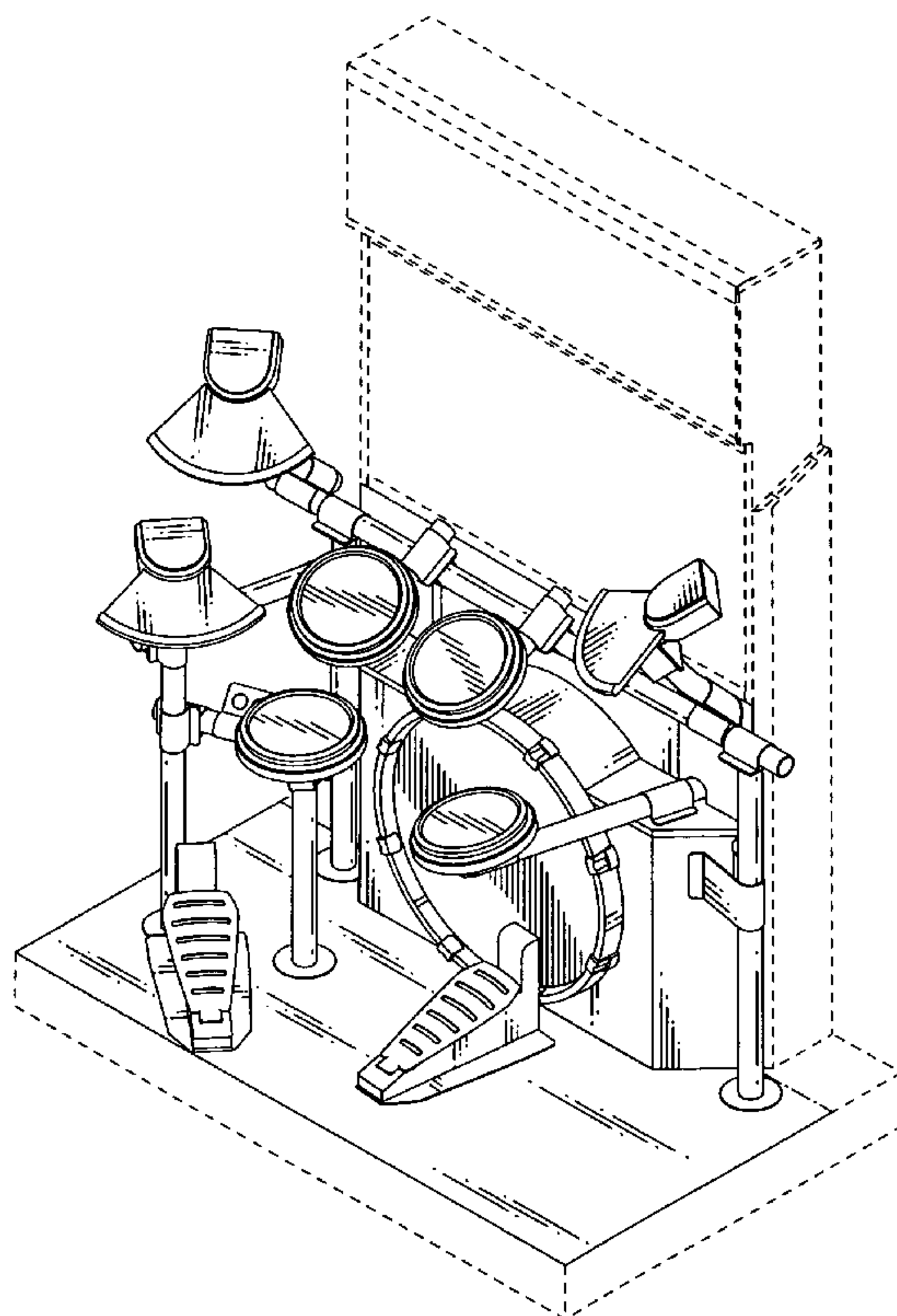
The ornamental design for a game machine, as shown and described.

DESCRIPTION

FIG. 1 is a first perspective view of a game machine; FIG. 2 is a second perspective view thereof; FIG. 3 is a front view thereof; FIG. 4 is a rear view thereof; FIG. 5 is a left side view thereof; FIG. 6 is a right side view thereof; and, FIG. 7 is a top view thereof.

The portion shown by broken lines is for illustrative purpose only and forms no part of the claimed design. The broken lines, which define the boundary of the claim, form no part of the claimed design.

1 Claim, 7 Drawing Sheets



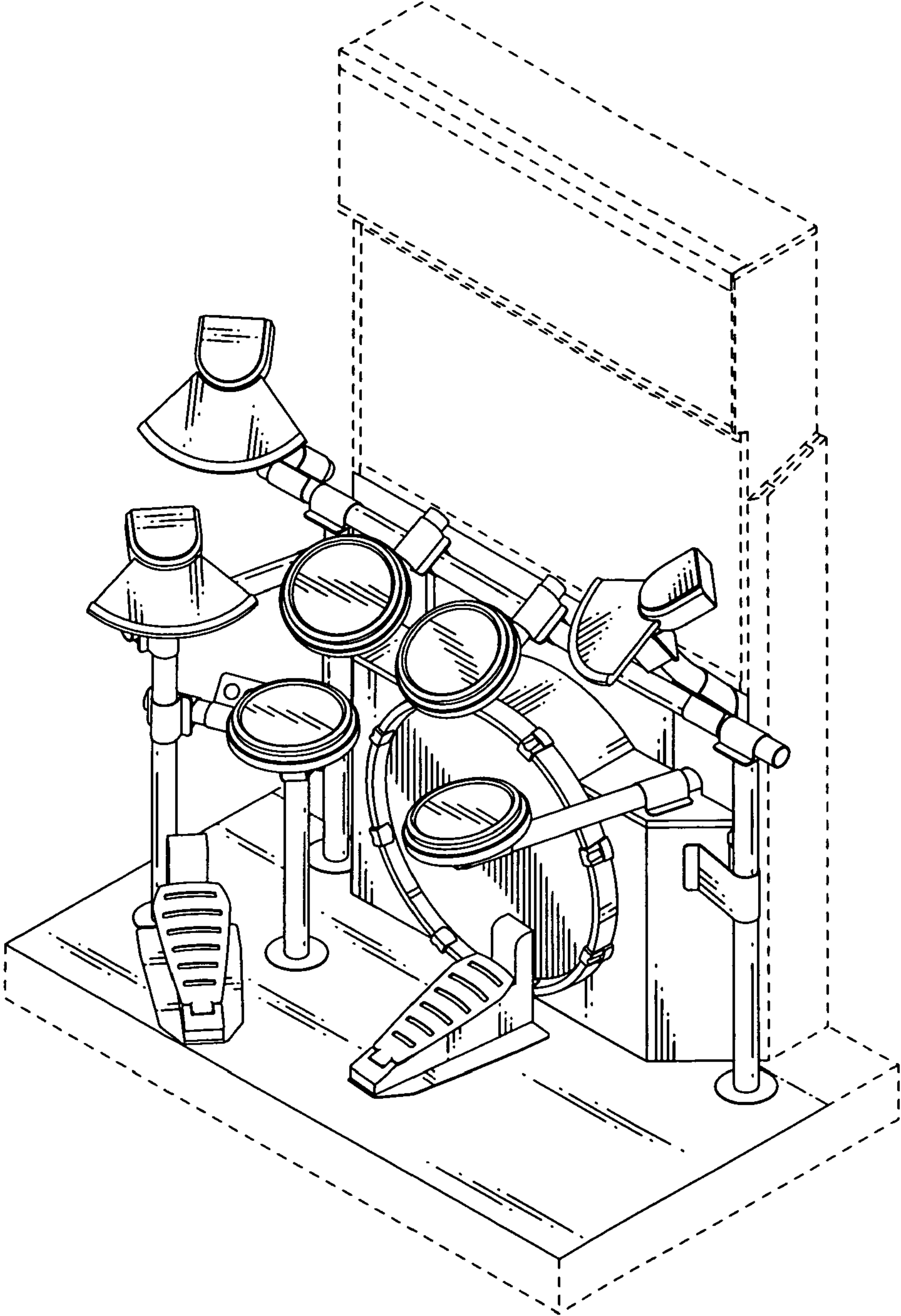


FIG. 1

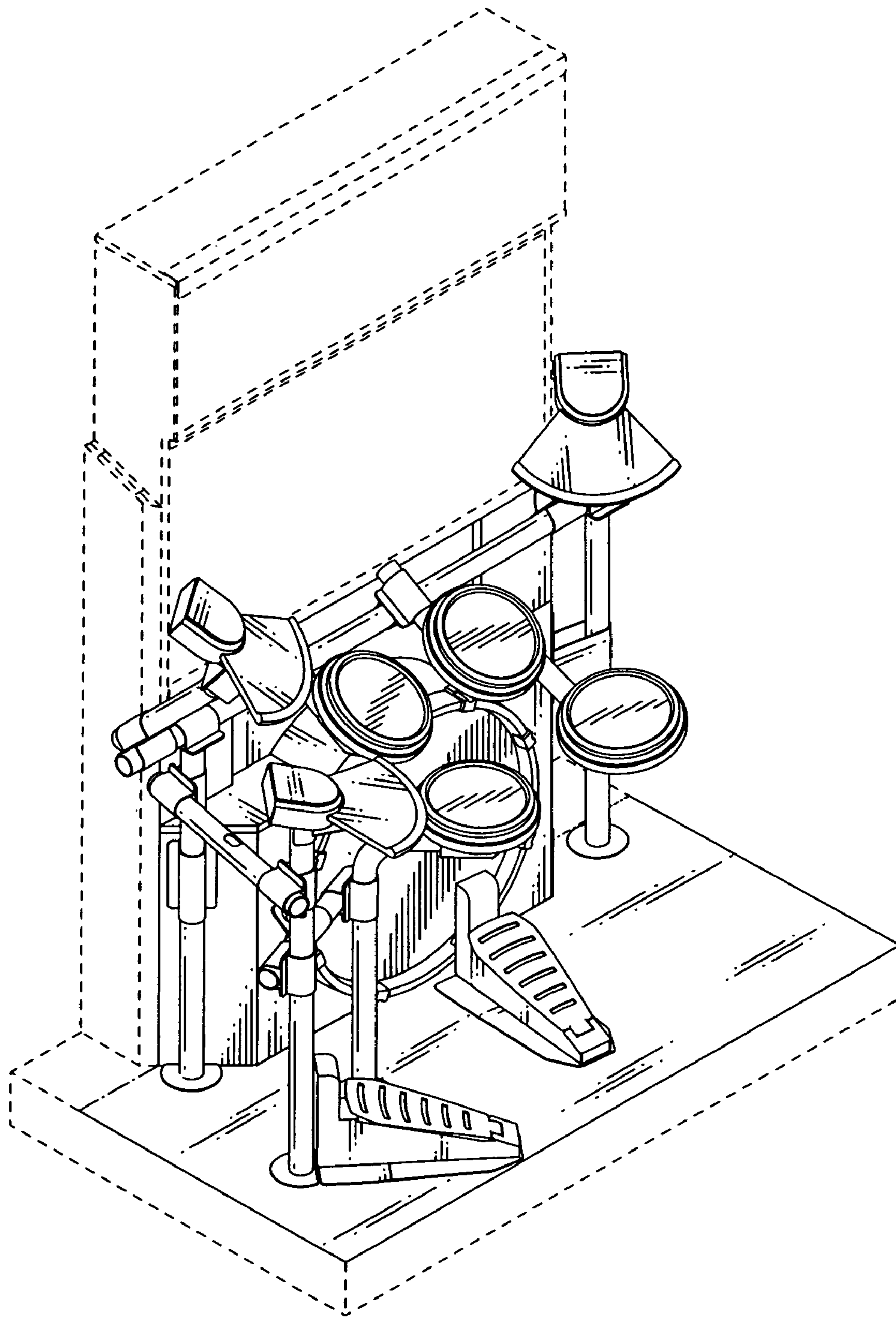


FIG. 2

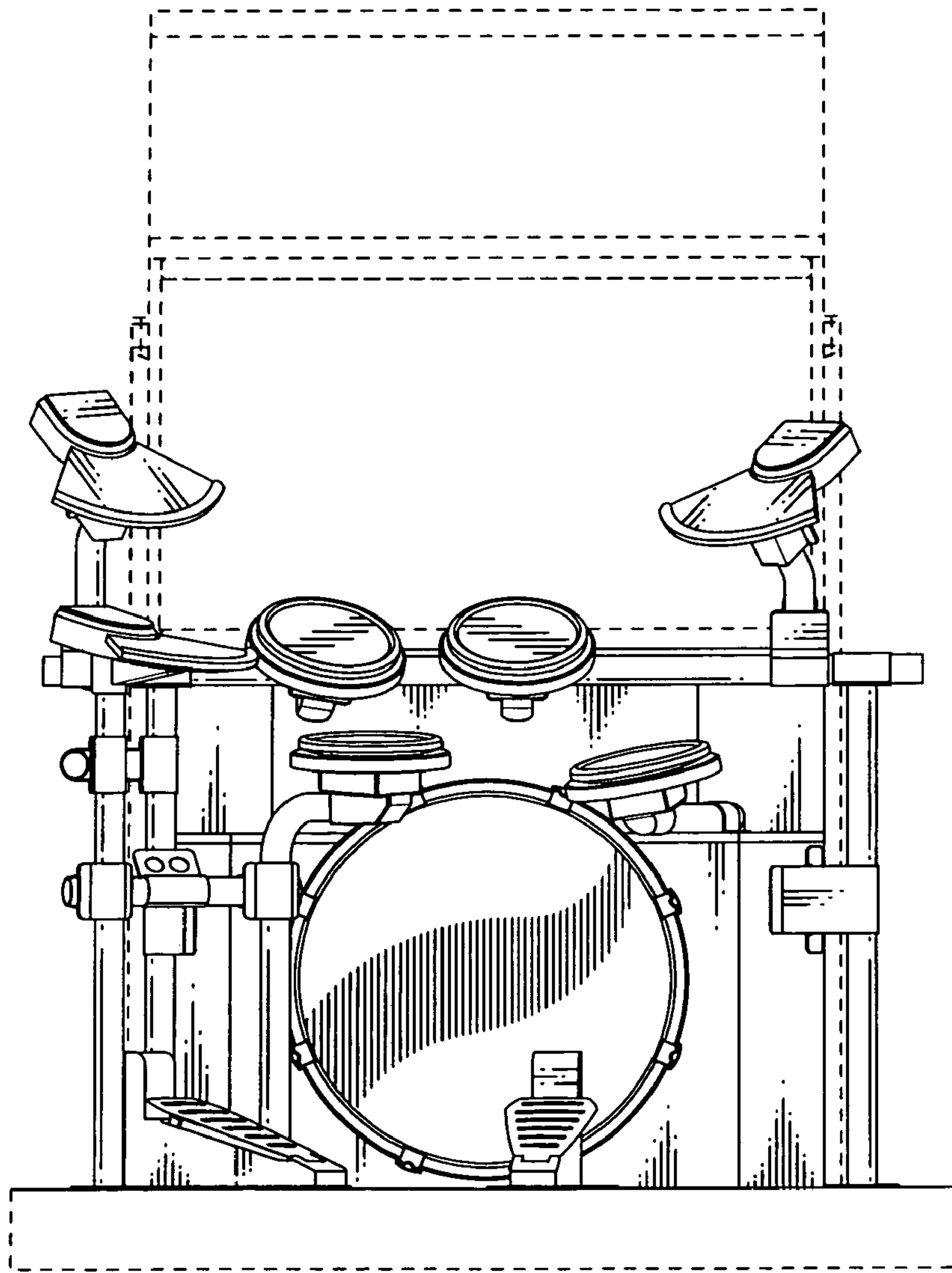


FIG.3

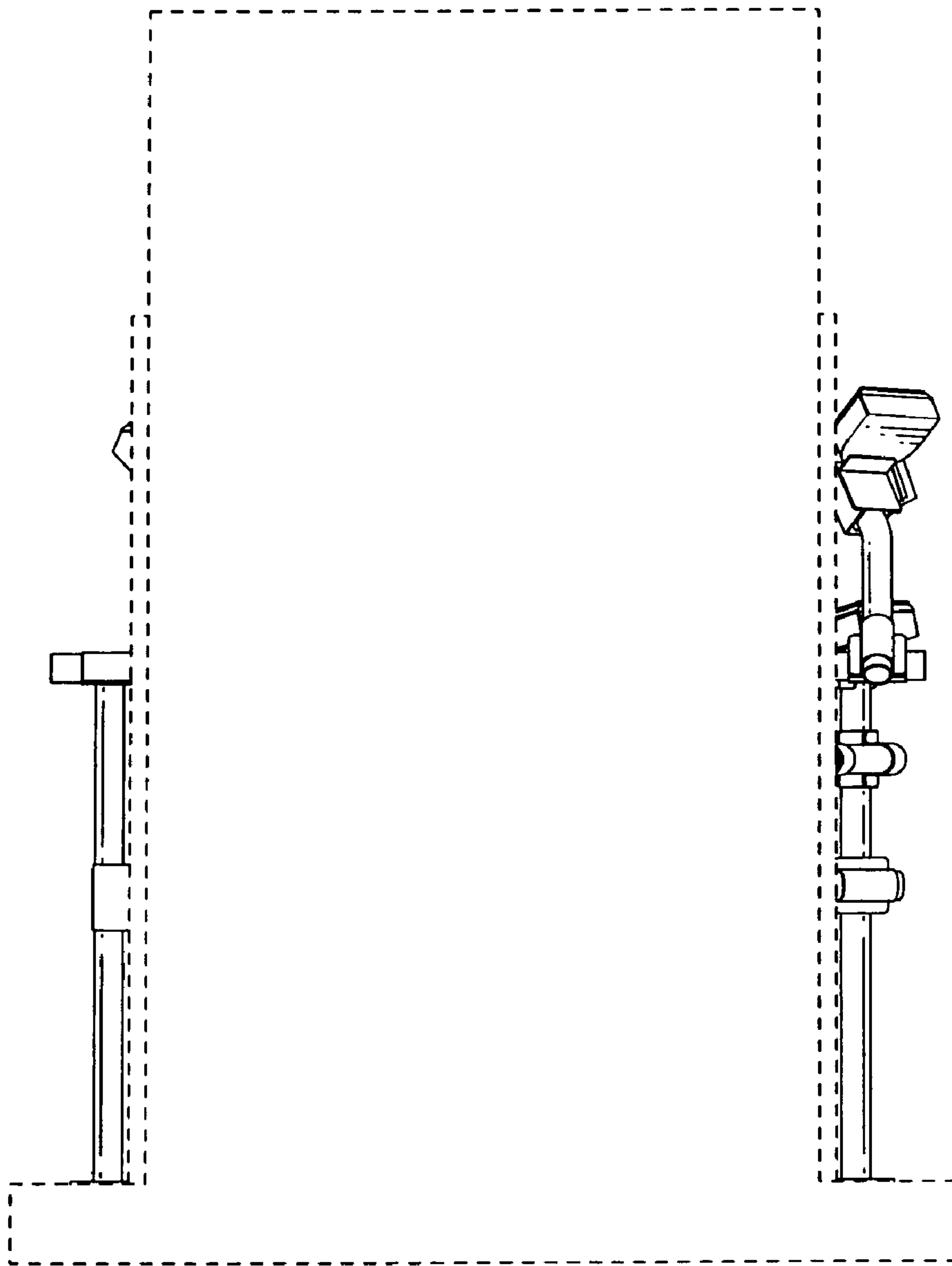


FIG.4

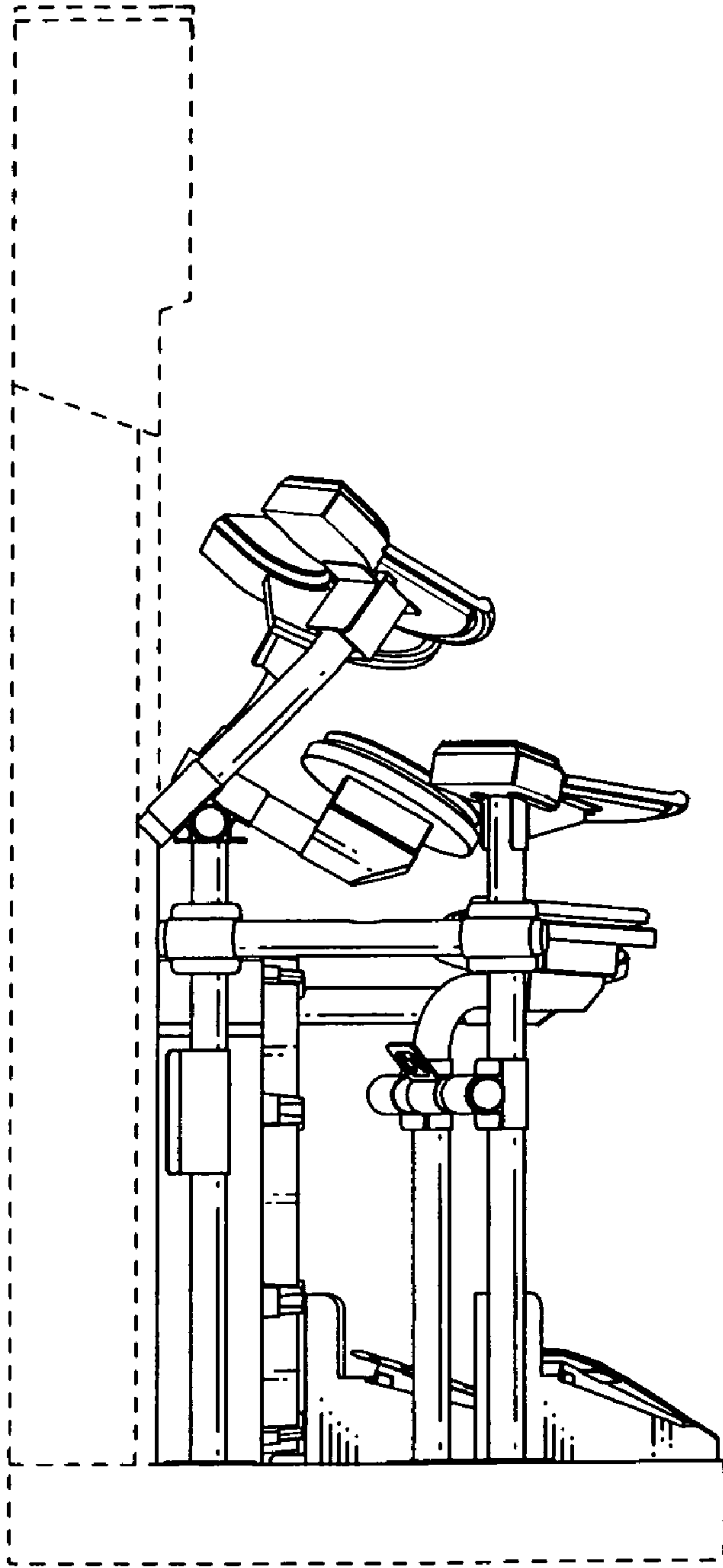


FIG.5

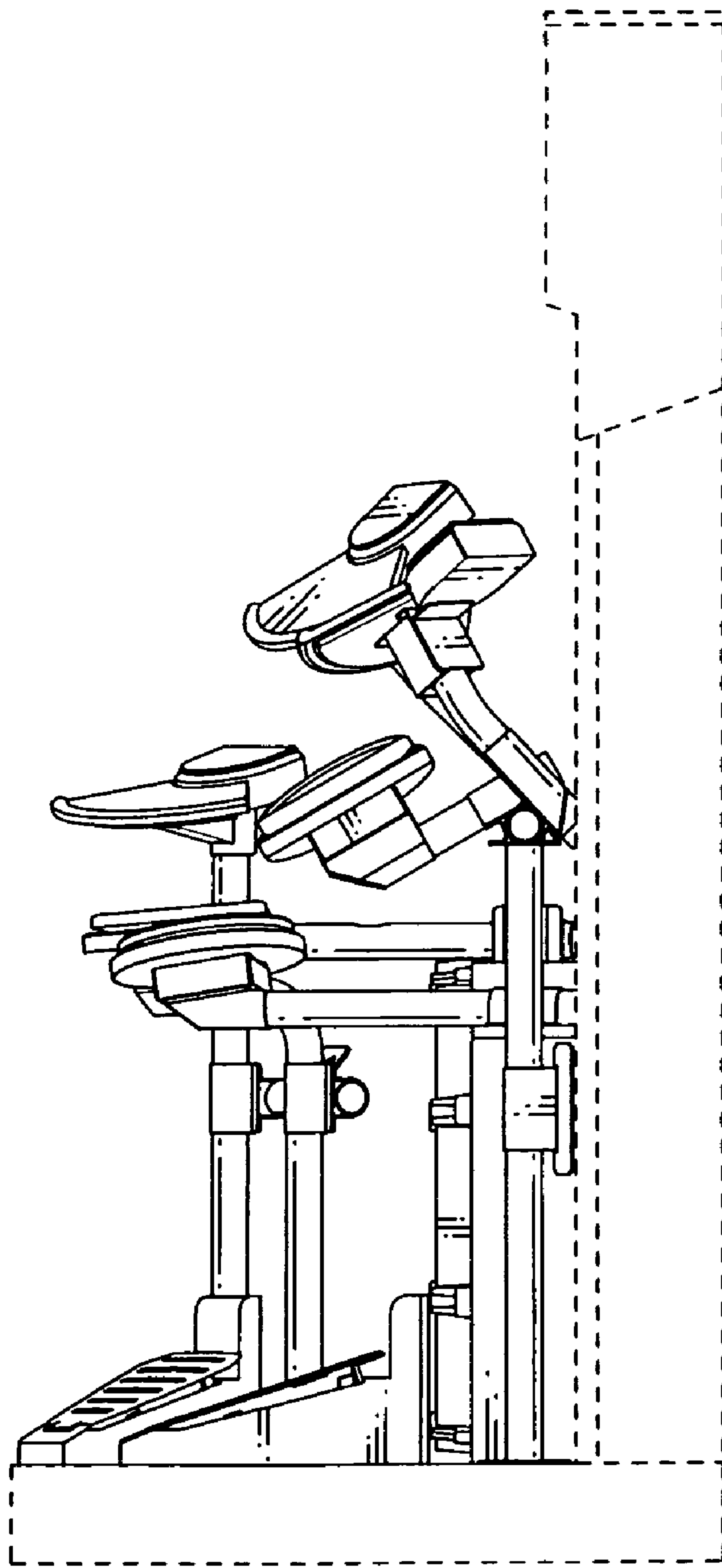


FIG.6

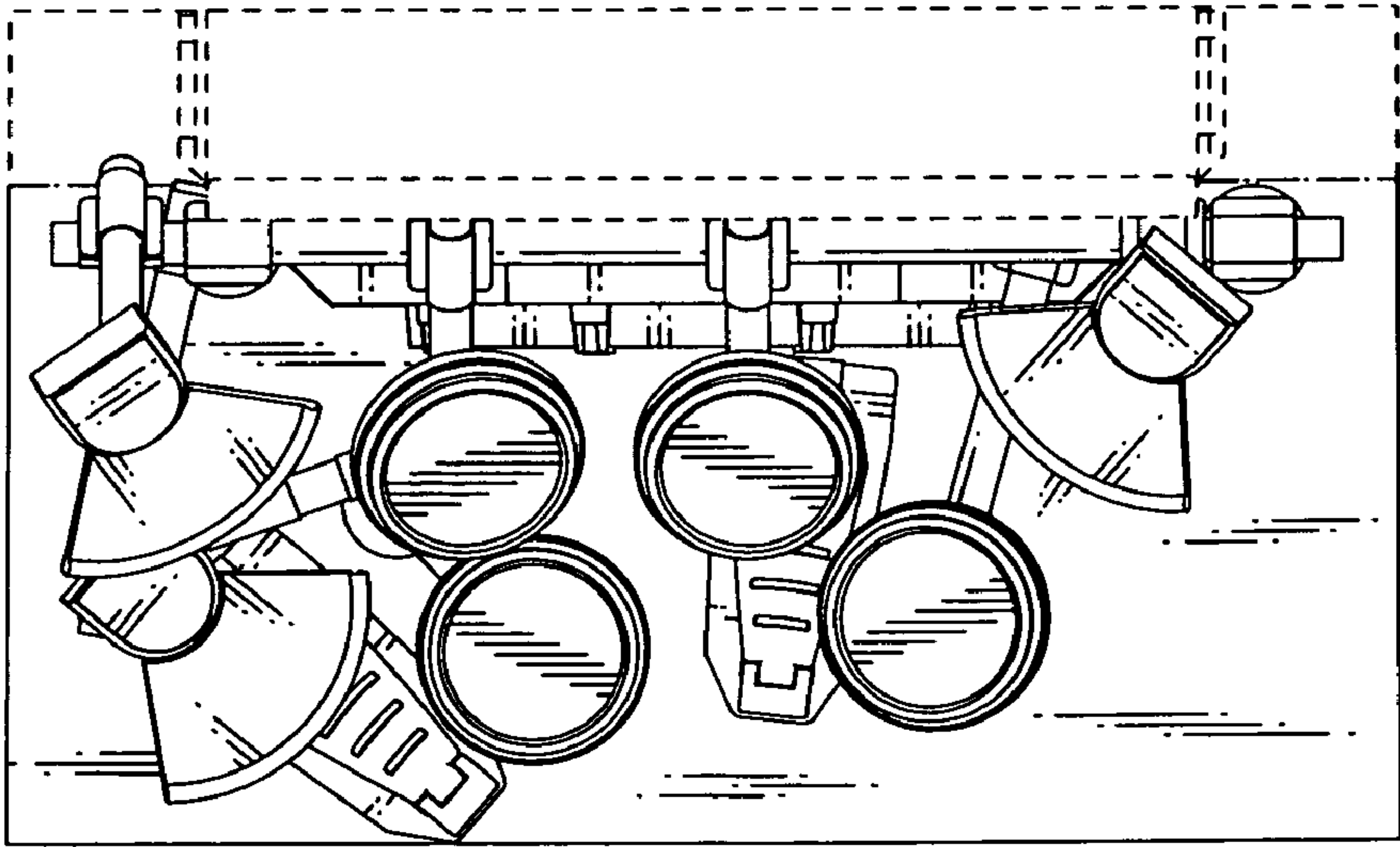


FIG.7