

US00D634788S

(12) **United States Design Patent**
Andersson

(10) **Patent No.:** **US D634,788 S**

(45) **Date of Patent:** **** *Mar. 22, 2011**

(54) **SIGN SUPPORT**

(75) Inventor: **Mats Andersson**, Rättvik (SE)

(73) Assignee: **Lars Hammar**, Bjursås (SE)

(*) Notice: This patent is subject to a terminal disclaimer.

(**) Term: **14 Years**

(21) Appl. No.: **29/346,677**

(22) Filed: **Nov. 4, 2009**

(30) **Foreign Application Priority Data**

May 4, 2009 (EM) 001134019-0001

(51) **LOC (9) Cl.** **20-03**

(52) **U.S. Cl.** **D20/43**

(58) **Field of Classification Search** D20/10,
D20/19, 41-43, 99; 40/611.12, 642.02, 647,
40/647.02, 648, 652, 653, 655, 657, 658,
40/661, 661.03, 661.06, 661.07, 661.11,
40/662, 663, 666, 667; D8/71, 349, 373,
D8/394-396; D13/149; D32/59; 24/489,
24/499, 500, 543

See application file for complete search history.

(56) **References Cited**

U.S. PATENT DOCUMENTS

D104,389 S * 5/1937 Binder D32/59
D199,089 S * 9/1964 Boden et al. D8/373
D314,502 S * 2/1991 Weldin D8/373

5,452,500 A * 9/1995 Revis 24/543
D389,733 S * 1/1998 Nakamura D8/396
D398,833 S 9/1998 Hammar
D416,866 S * 11/1999 Amin D13/149
6,826,811 B2 * 12/2004 Adams 24/499
D557,746 S 12/2007 Hammar
D567,618 S * 4/2008 Agronin et al. D8/71
7,673,410 B1 * 3/2010 Buerchner et al. 40/658

* cited by examiner

Primary Examiner — Mary Ann Calabrese

(74) *Attorney, Agent, or Firm* — Dilworth & Barrese LLP

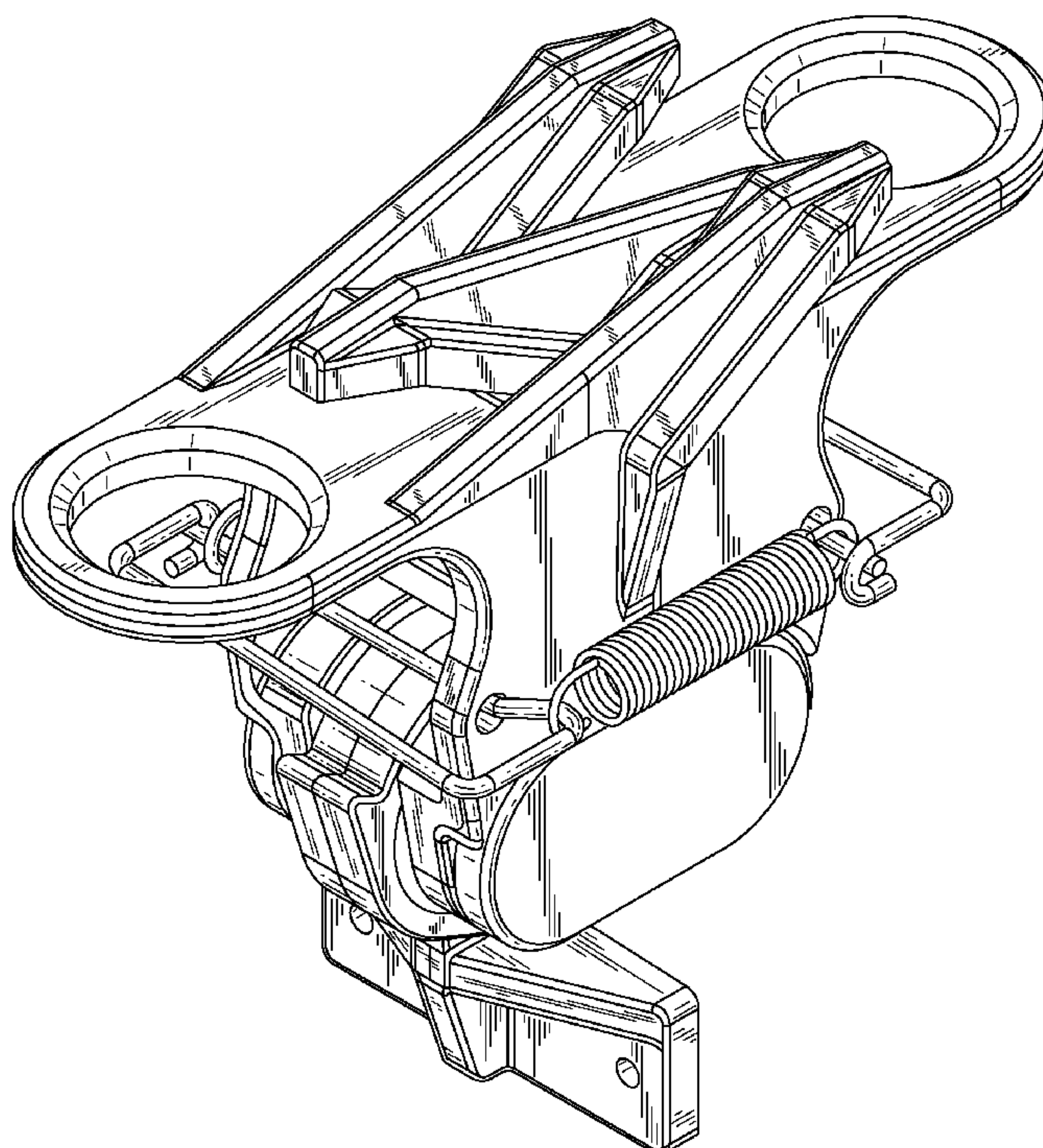
(57) **CLAIM**

The ornamental design for a sign support, as shown and described.

DESCRIPTION

FIG. 1 is a front right perspective view from above of the sign support showing my new design;
FIG. 2 is a front left perspective view from above of the sign support of FIG. 1;
FIG. 3 is a rear elevational view of the sign support of FIGS. 1 and 2;
FIG. 4 is a right side elevational view of the sign support of FIGS. 1-3;
FIG. 5 is a front elevational view of the sign support of FIGS. 1-4;
FIG. 6 is a top plan view of the sign support of FIGS. 1-5; and,
FIG. 7 is a front right perspective view from above of the sign support of FIGS. 1-6 in open position.

1 Claim, 6 Drawing Sheets



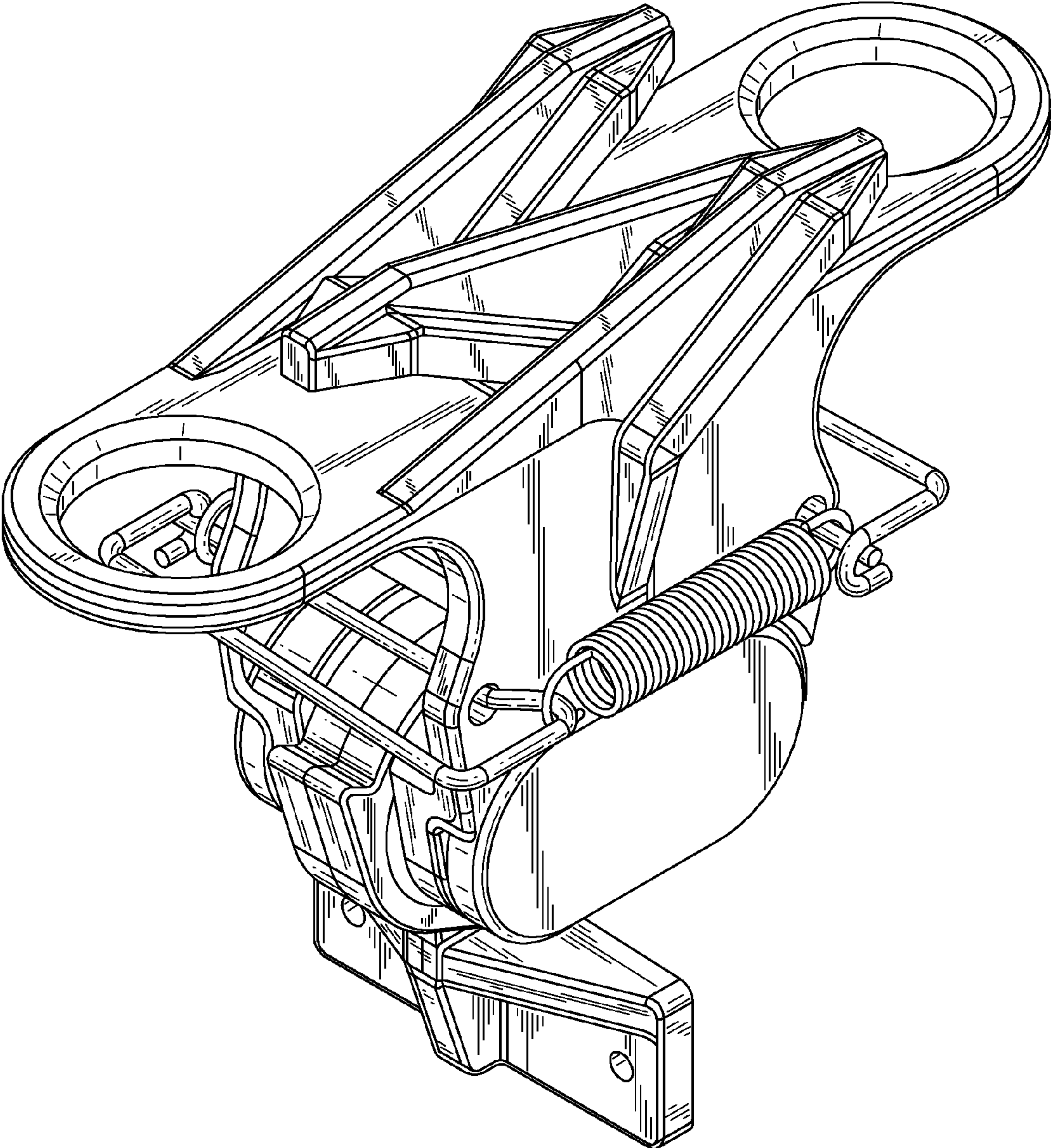


FIG. 1

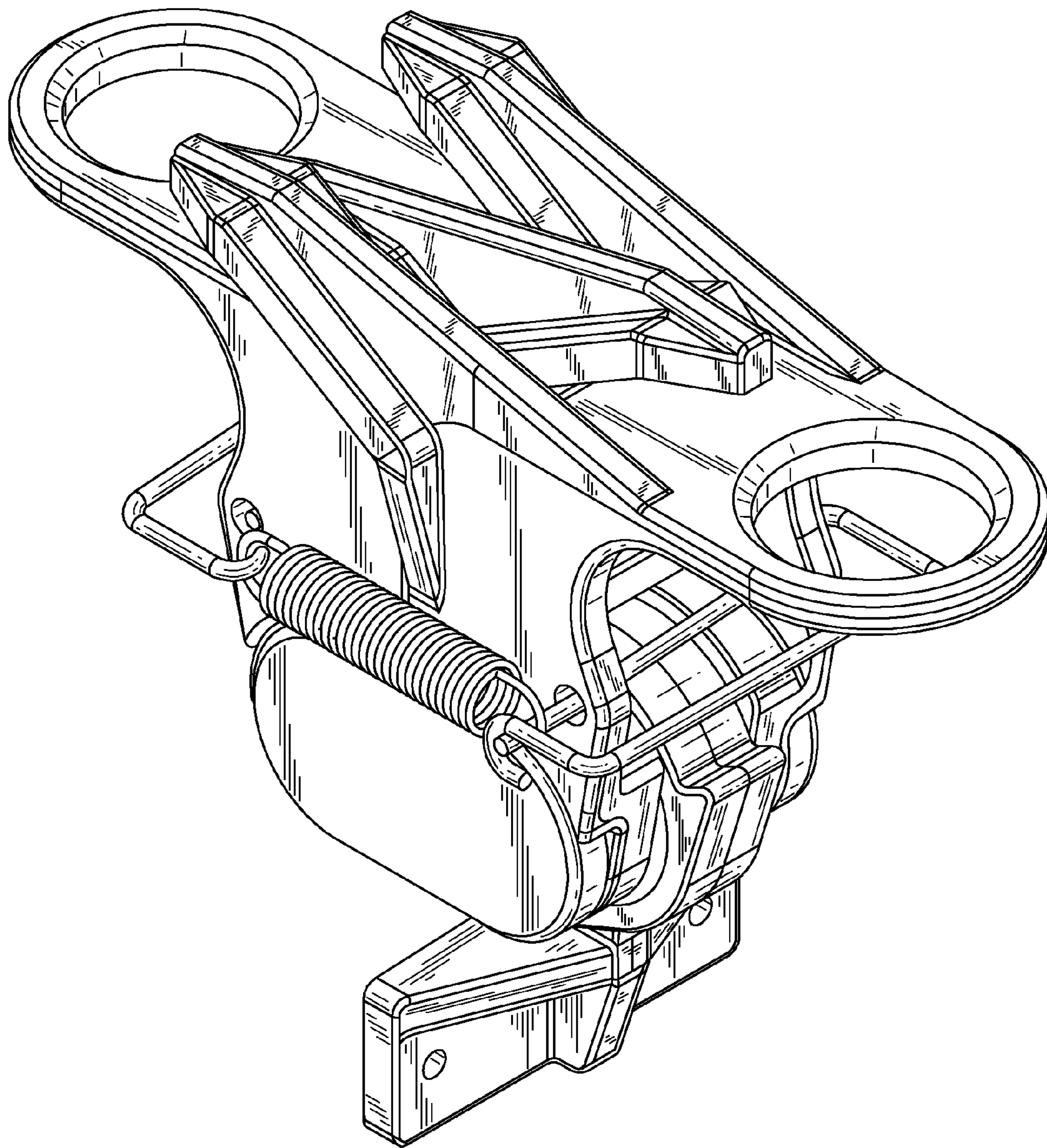


FIG. 2

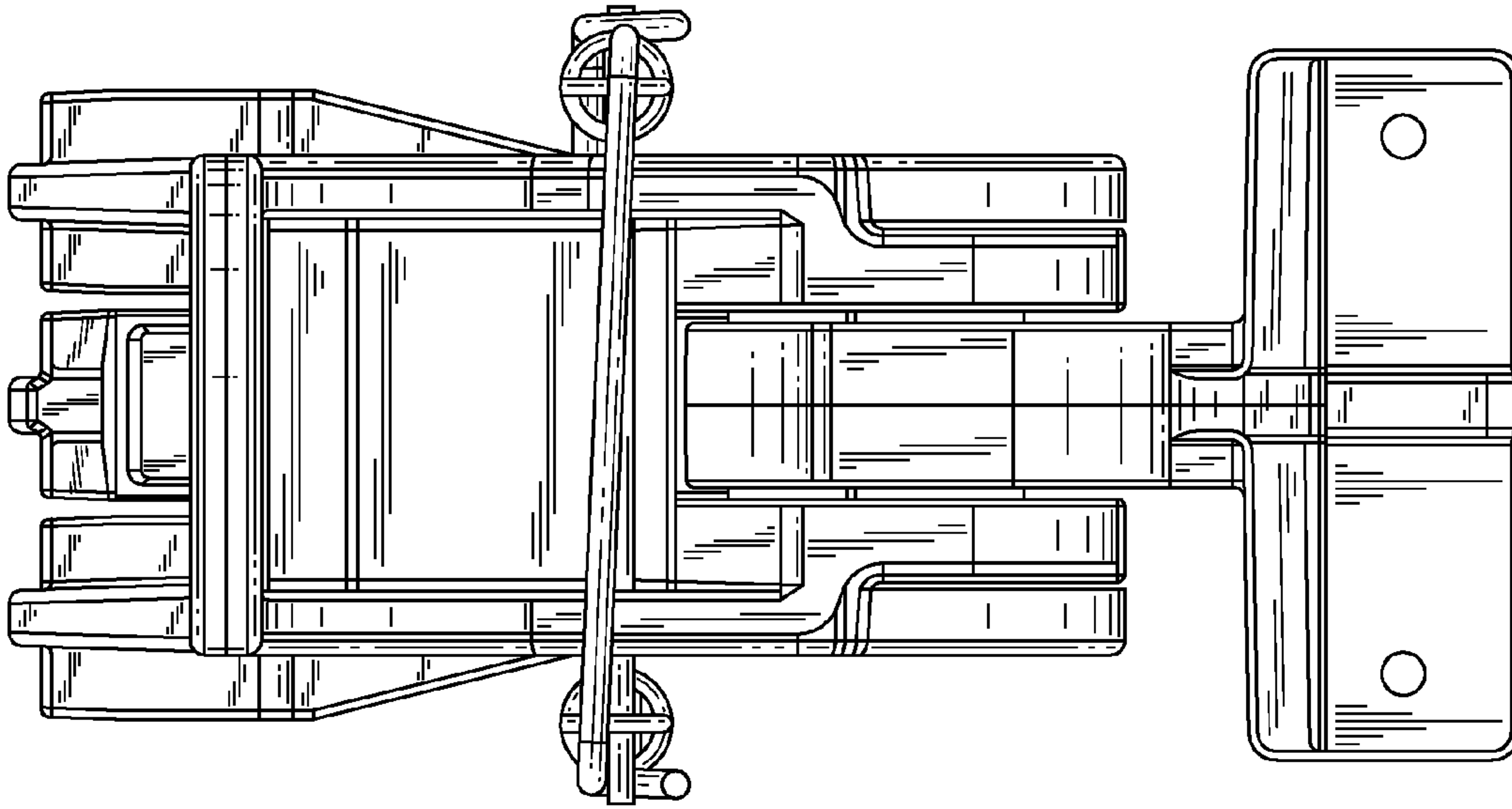


FIG. 5

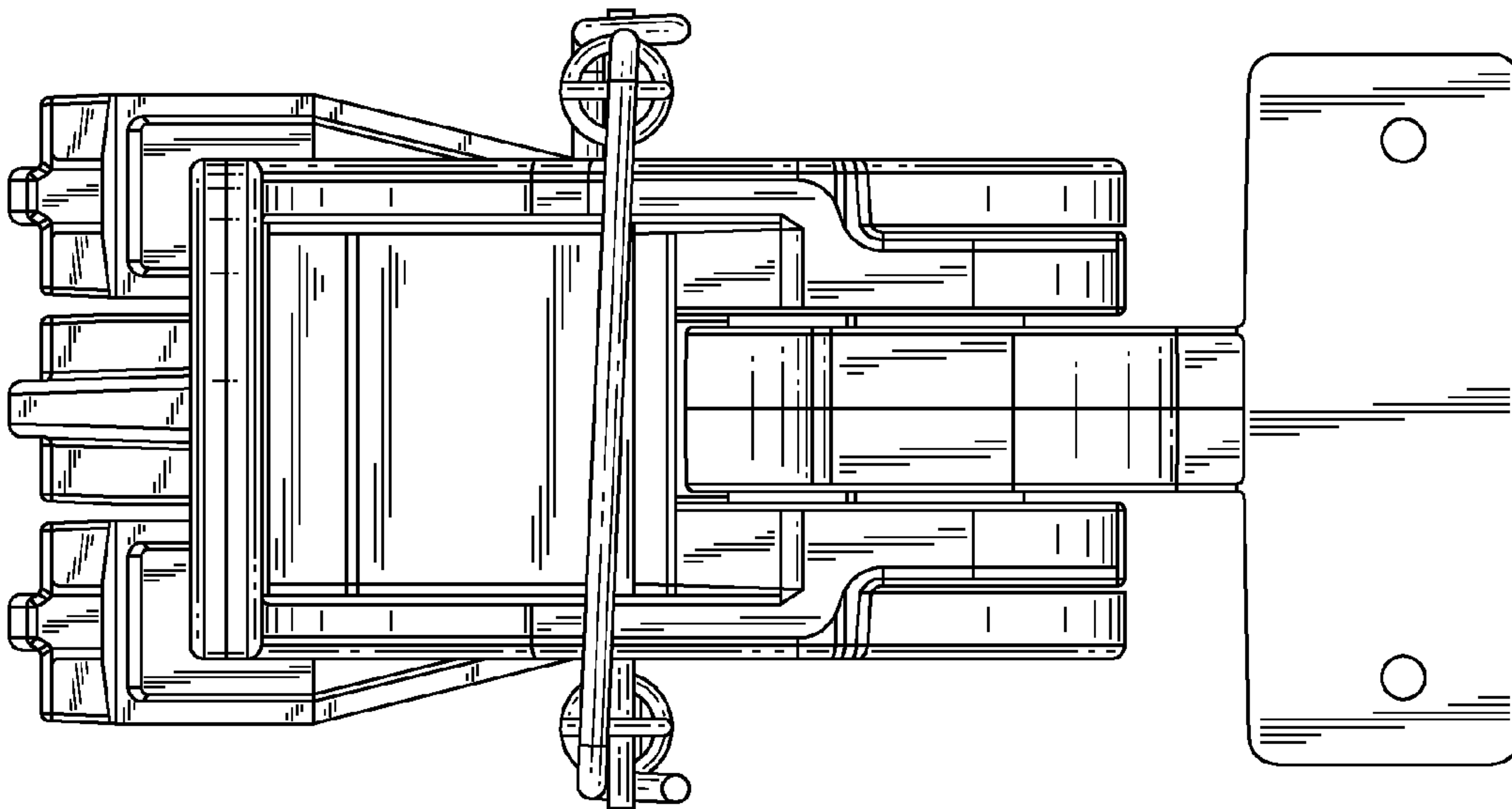


FIG. 3

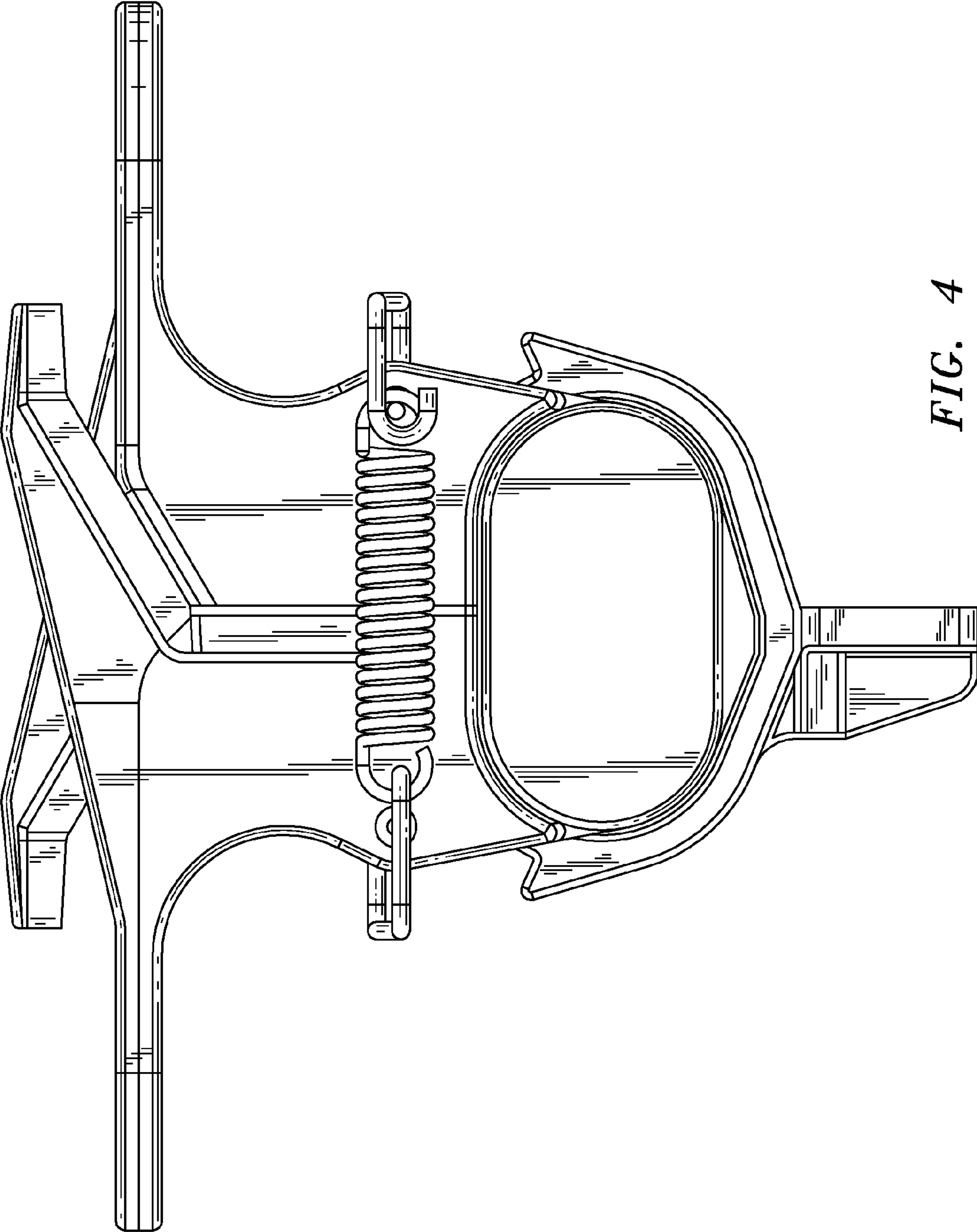


FIG. 4

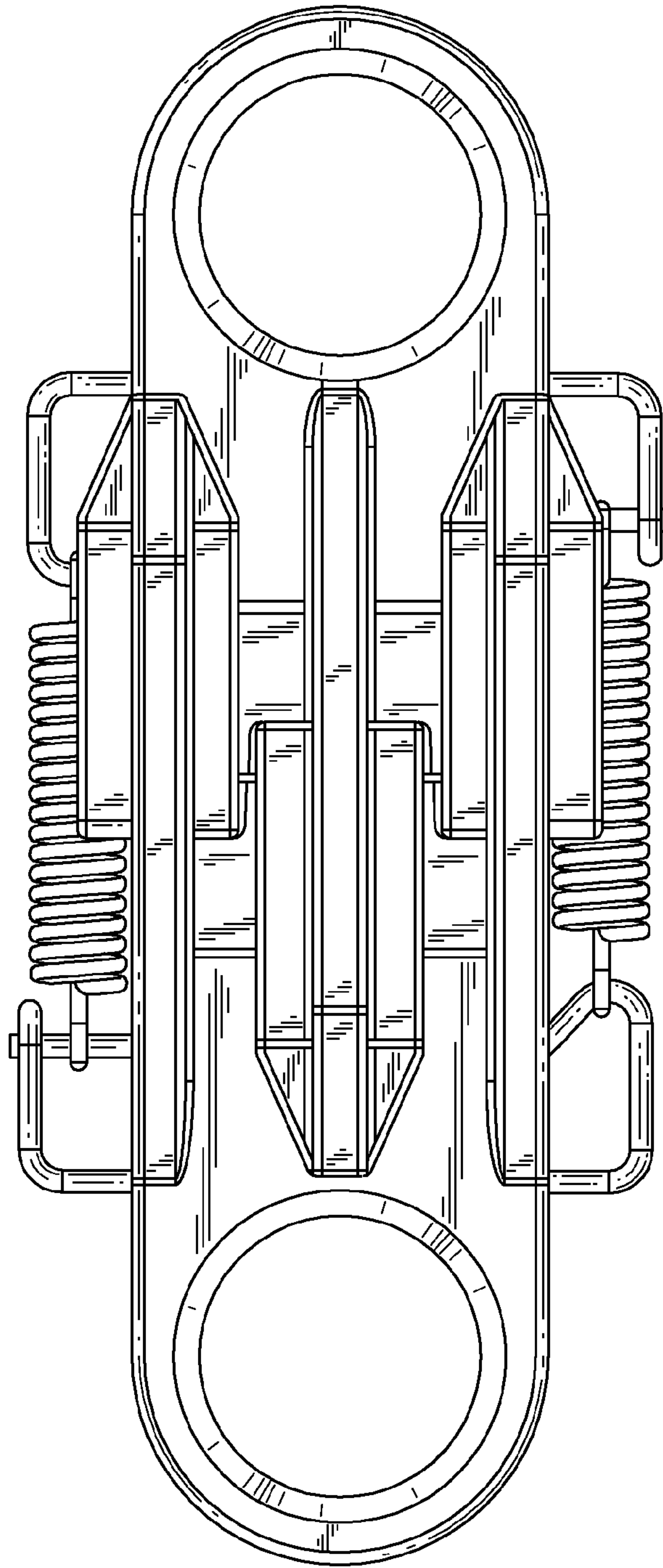


FIG. 6

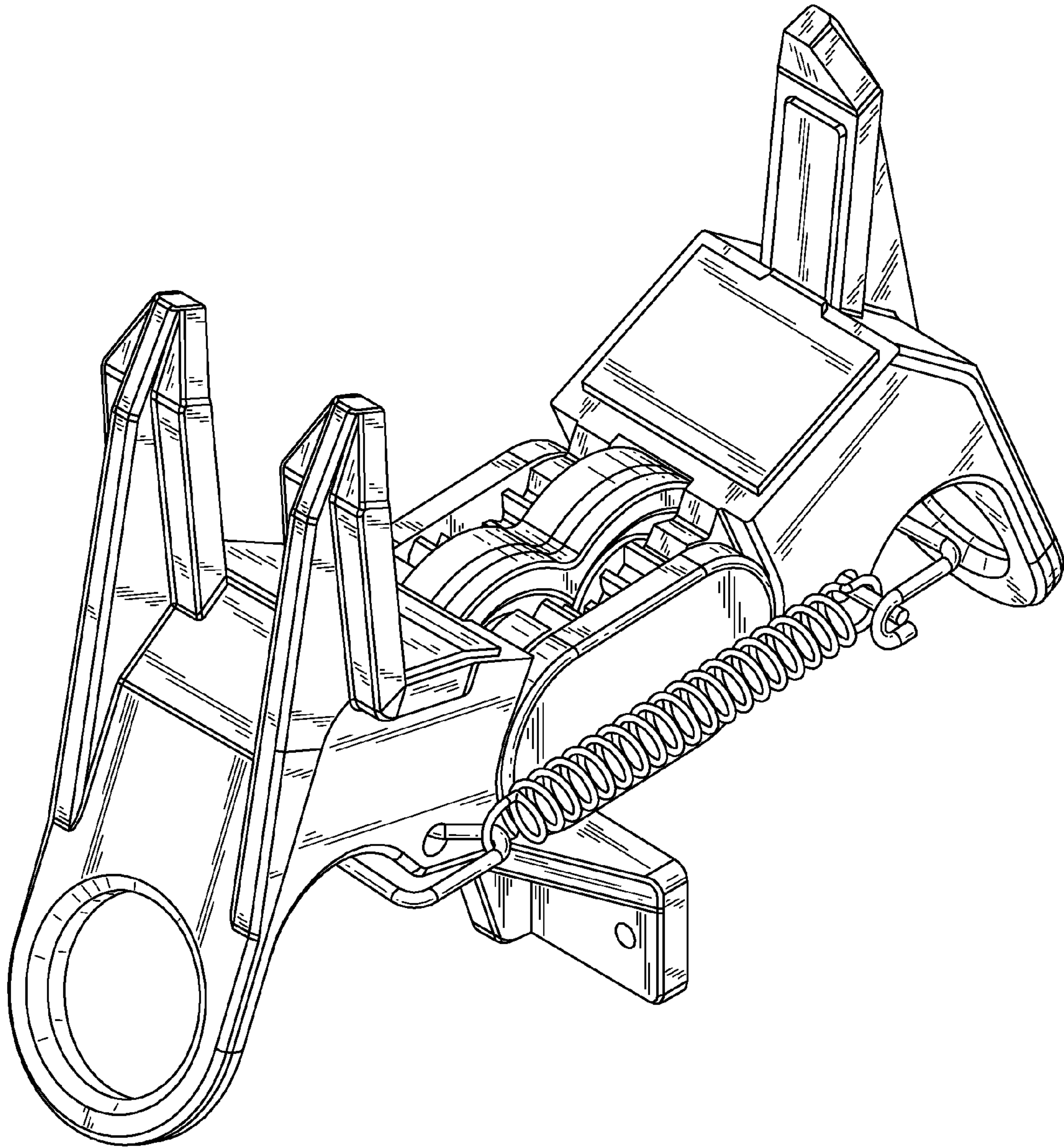


FIG. 7