

US00D634786S

(12) **United States Design Patent**  
**Bedard**

(10) **Patent No.:** **US D634,786 S**

(45) **Date of Patent:** **\*\* Mar. 22, 2011**

(54) **GONE SMOKING INDICATOR**

(76) Inventor: **Marilyn Marie Bedard**, Fort  
Lauderdale, FL (US)

(\*\*) Term: **14 Years**

(21) Appl. No.: **29/356,361**

(22) Filed: **Feb. 24, 2010**

(51) **LOC (9) Cl.** ..... **20-02**

(52) **U.S. Cl.** ..... **D20/29**

(58) **Field of Classification Search** ..... D20/10,  
D20/12-19, 22-29, 39-43, 99; 40/124.01-124.09,  
40/124.11-124.19, 124.191, 299.01, 321,  
40/334, 358, 453, 446, 538, 541, 564, 565,  
40/568, 572, 577, 584, 585, 600, 606.12-606.14,  
40/606.18, 612, 618; D10/104, 109; D11/47,  
D11/78.1, 184, 157; D19/42; D24/188,  
D24/231; D27/100, 101; 131/270, 273,  
131/332, 360, 361, 365; 362/812

See application file for complete search history.

(56) **References Cited**

U.S. PATENT DOCUMENTS

198,977	A	*	1/1878	Gordon	.....	131/361
D22,006	S	*	11/1892	Traun	.....	D20/29
D245,729	S	*	9/1977	Gripe	.....	D20/29
D251,815	S	*	5/1979	Looney	.....	D20/29
D269,530	S	*	6/1983	Luntz	.....	D19/47
5,101,840	A	*	4/1992	Riehl, Jr.	.....	131/365
D430,611	S	*	9/2000	Lawton et al.	.....	D20/10

D476,374	S	*	6/2003	Boire	.....	D20/41
D613,902	S	*	4/2010	Kaljura	.....	D27/101
2005/0016555	A1	*	1/2005	Lyles	.....	131/332
2008/0283071	A1	*	11/2008	Jirsak et al.	.....	131/332

FOREIGN PATENT DOCUMENTS

EM 000199963-0005 \* 7/2004

\* cited by examiner

*Primary Examiner* — Mary Ann Calabrese

(74) *Attorney, Agent, or Firm* — Laurence A. Greenberg;  
Werner H. Stemer; Ralph E. Locher

(57) **CLAIM**

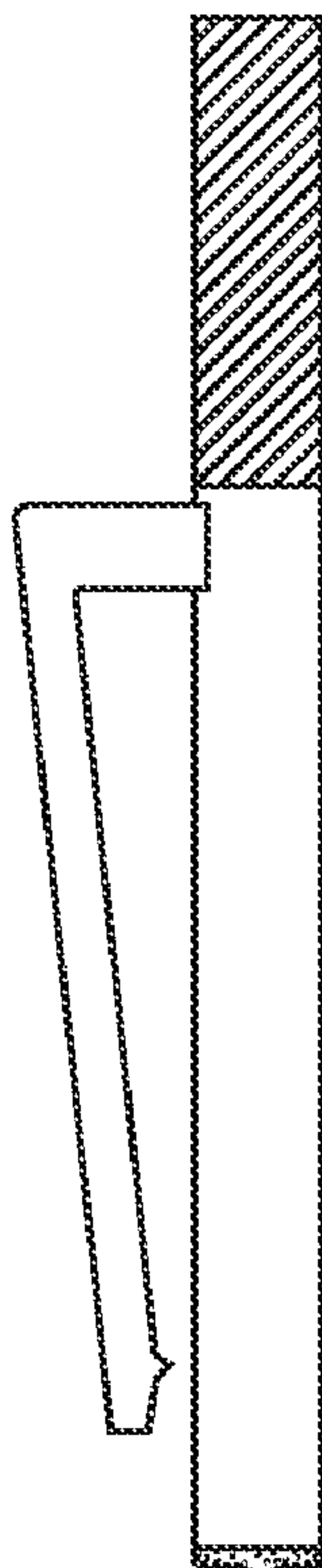
The ornamental design for a gone smoking indicator, as shown and described.

**DESCRIPTION**

FIG. 1 is a left-side elevational view of the gone smoking indicator of my invention;  
FIG. 2 is a front-elevational view thereof;  
FIG. 3 is a rear-elevational view thereof;  
FIG. 4 is a right-side elevational view thereof;  
FIG. 5 is a bottom-plan view thereof;  
FIG. 6 is a top-plan view thereof;  
FIG. 7 is a perspective view thereof;  
FIG. 8 is a perspective view thereof as used with a coffee cup;  
FIG. 9 is a perspective view thereof as used with a wine glass;  
and,  
FIG. 10 is a perspective view thereof as used with a beer bottle.

In the drawings, the broken lines represent environment that form no part of the claim.

**1 Claim, 2 Drawing Sheets**



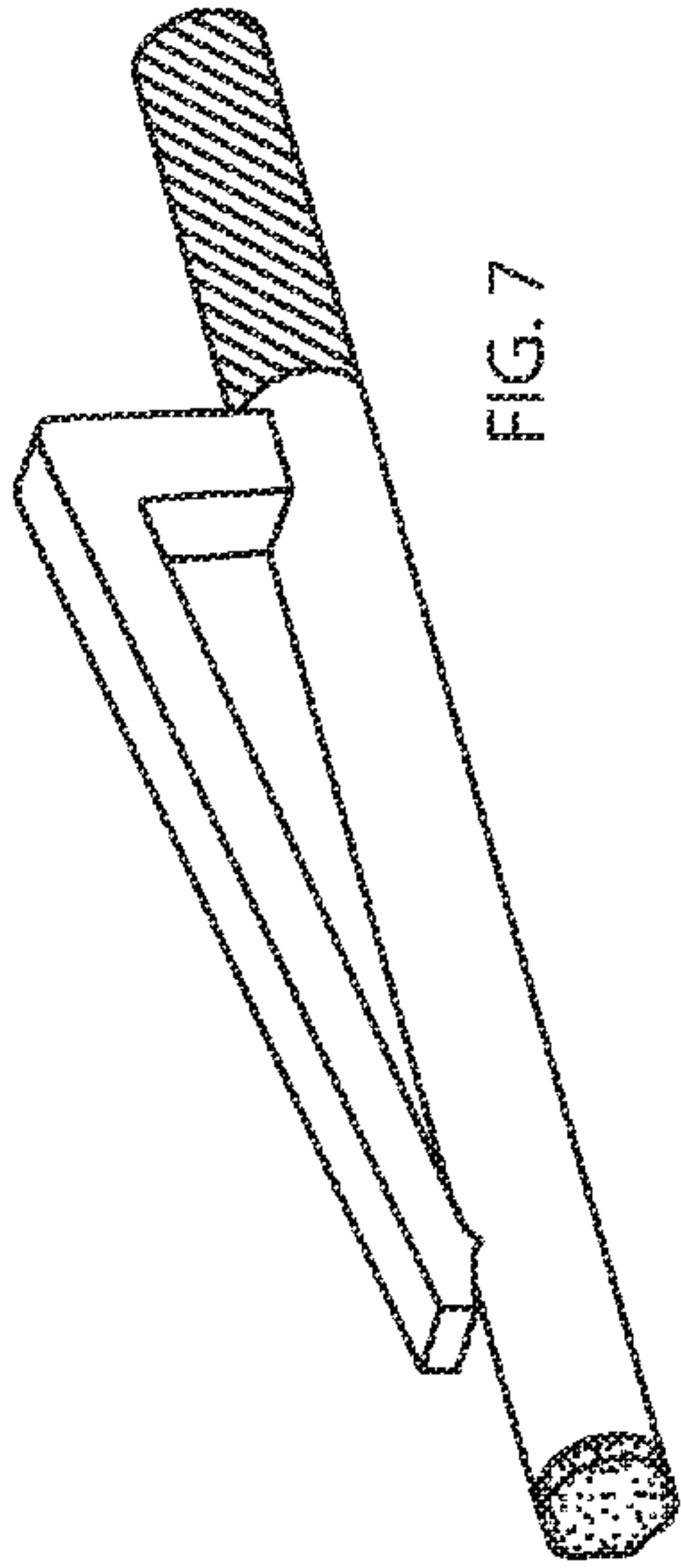


FIG. 7

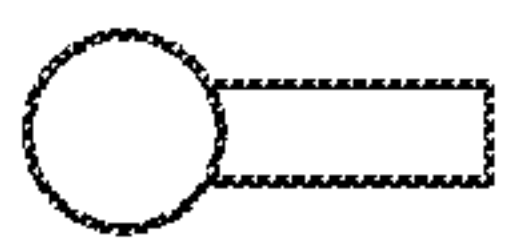


FIG. 6



FIG. 4



FIG. 3



FIG. 2

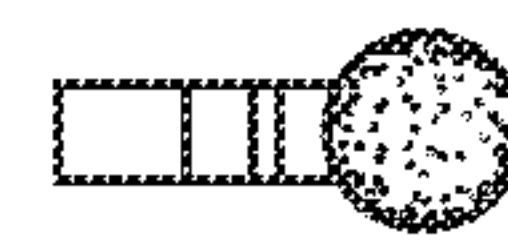


FIG. 5

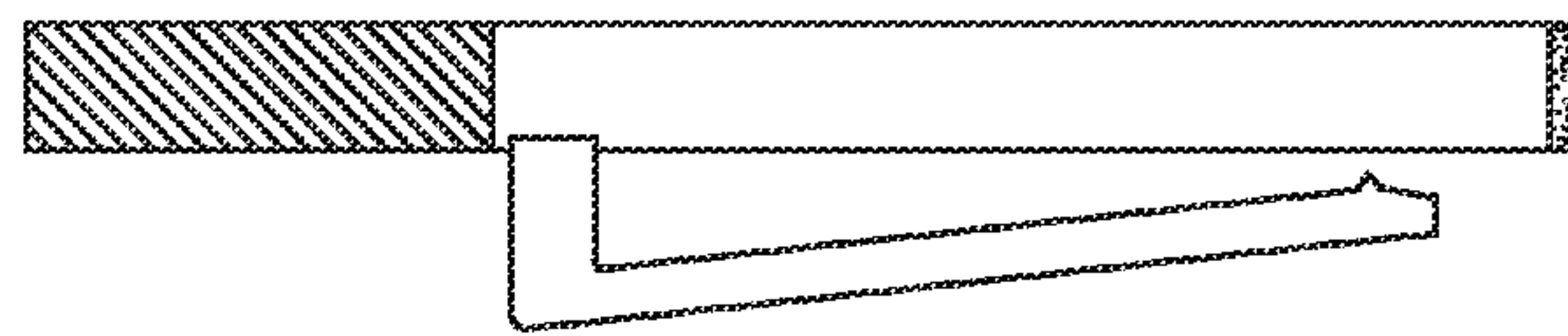


FIG. 1

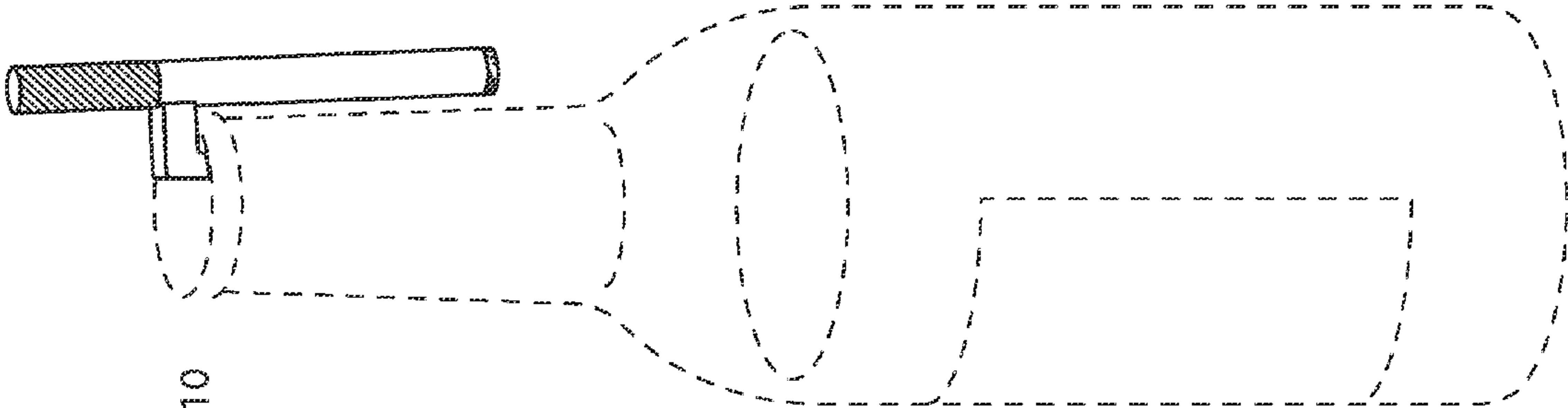


FIG. 10

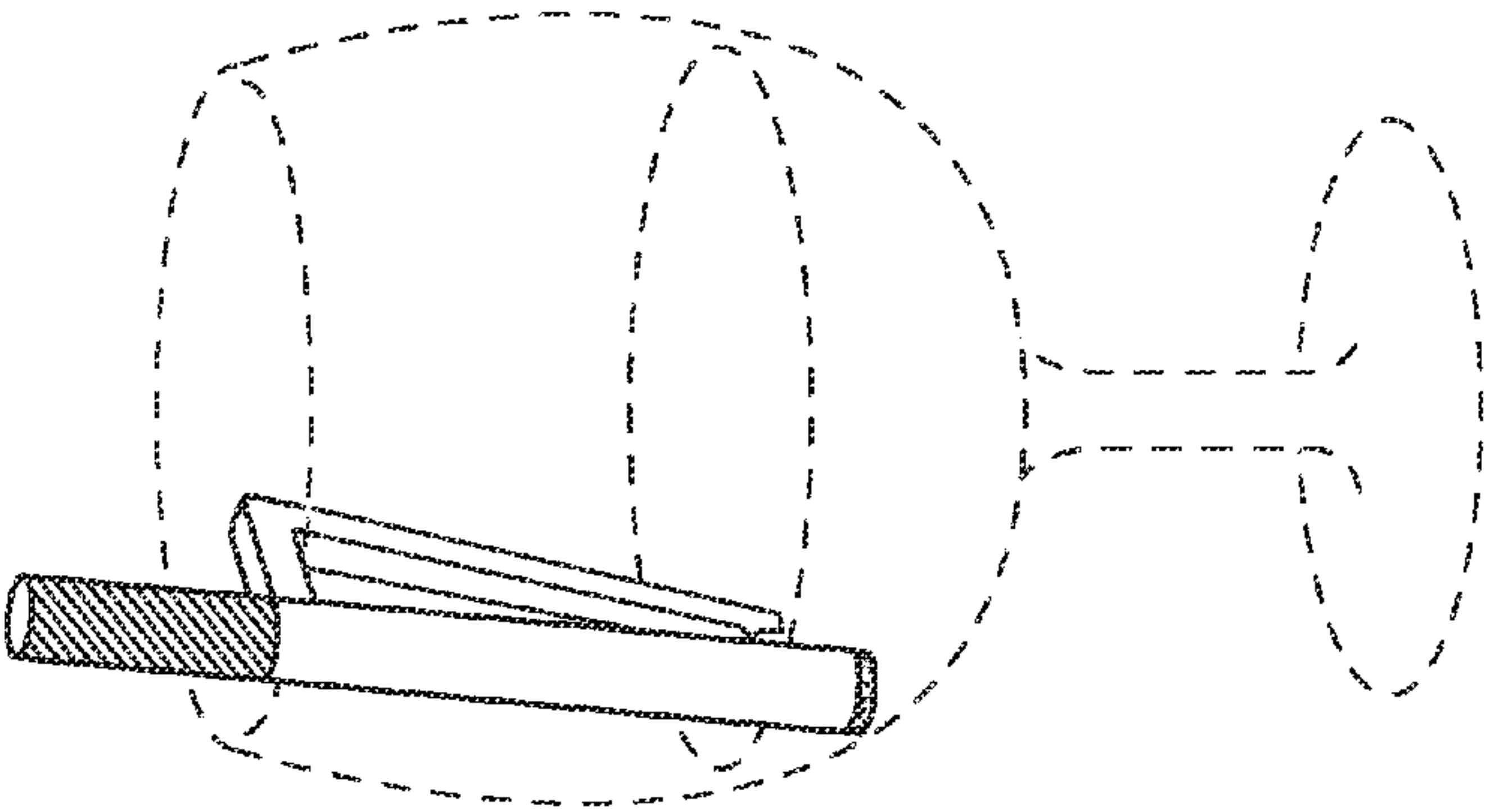


FIG. 9

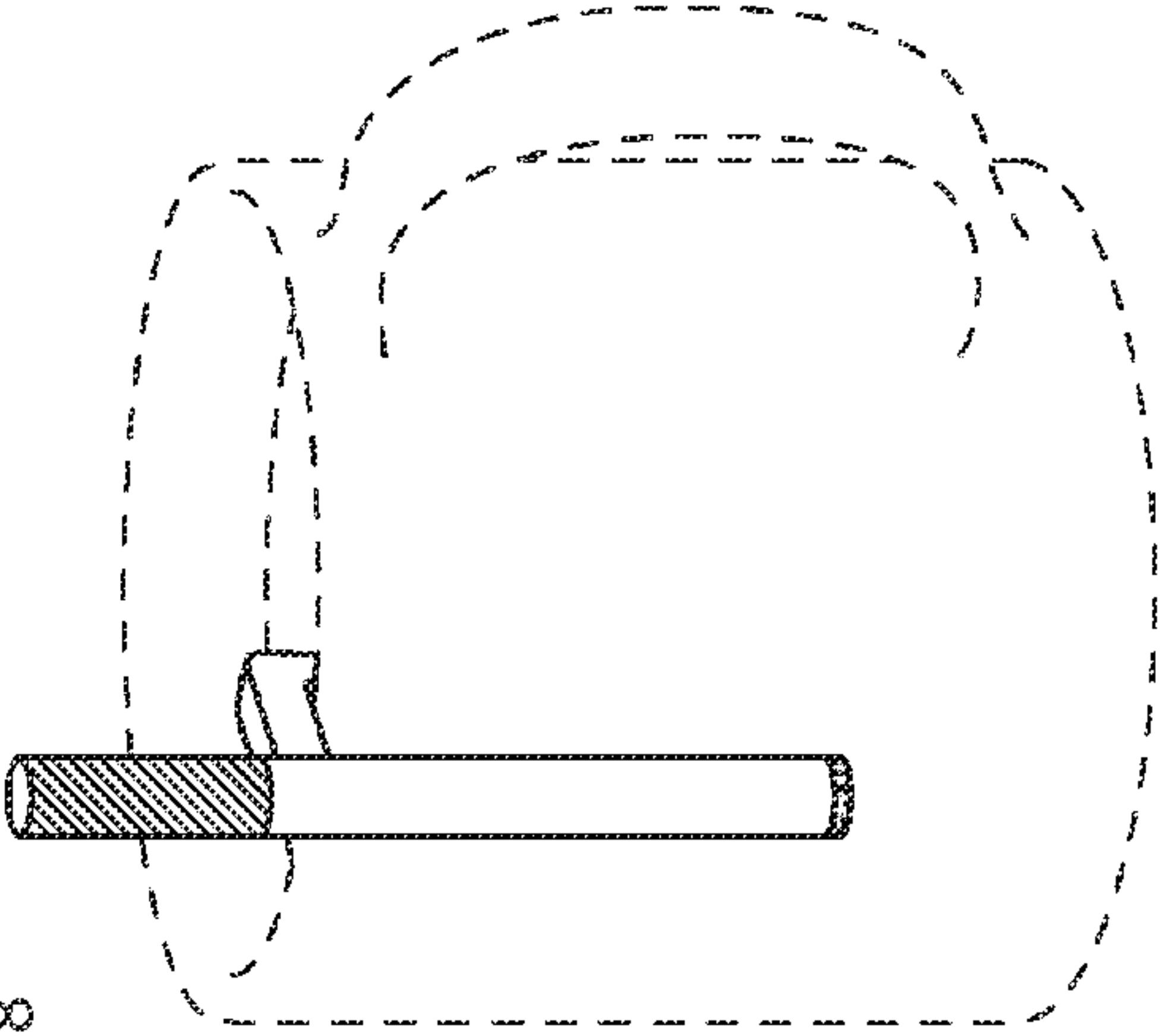


FIG. 8