



US00D634779S

(12) **United States Design Patent**
Lynch et al.

(10) **Patent No.:** **US D634,779 S**
(45) **Date of Patent:** **** Mar. 22, 2011**

(54) **TRANSACTION CARD**
(75) Inventors: **Brigette Ann Lynch**, St. Paul, MN (US);
Taydem Rae Wall, Andover, MN (US);
Donald C. Clark, Seattle, WA (US)
(73) Assignee: **Target Brands, Inc.**, Minneapolis, MN
(US)

4,054,242 A 10/1977 Strobe
D258,157 S 2/1981 Schoch
D262,391 S 12/1981 Kanaoki
4,309,839 A 1/1982 White et al.
4,341,035 A 7/1982 Jaworski et al.
D271,987 S 12/1983 House
D332,665 S 1/1993 Garrison
D344,539 S 2/1994 Simmons

(Continued)

(**) Term: **14 Years**

FOREIGN PATENT DOCUMENTS

(21) Appl. No.: **29/377,182**

GB 2277482 A 11/1994

(22) Filed: **Oct. 18, 2010**

OTHER PUBLICATIONS

(51) **LOC (9) Cl.** **19-08**

GiftCard with Rotating Pinwheel Offered for Sale at Target retail stores beginning Dec. 26, 2004 (2 pages).

(52) **U.S. Cl.** **D19/9**

(Continued)

(58) **Field of Classification Search** D19/1-12,
D19/100; 40/124.01-124.15, 672, 661, 776,
40/726, 617; 283/72, 74, 103, 105, 106;
D6/407, 632; 235/380, 449, 487, 492, 493,
235/488; 206/449, 815, 315; D20/10, 22,
D20/17, 27, 40, 11, 39, 43

Primary Examiner — Caron Veynar
Assistant Examiner — Abraham Bahta
(74) *Attorney, Agent, or Firm* — Griffiths & Seaton PLLC

See application file for complete search history.

(57) **CLAIM**

The ornamental design for a transaction card, as shown and described.

(56) **References Cited**

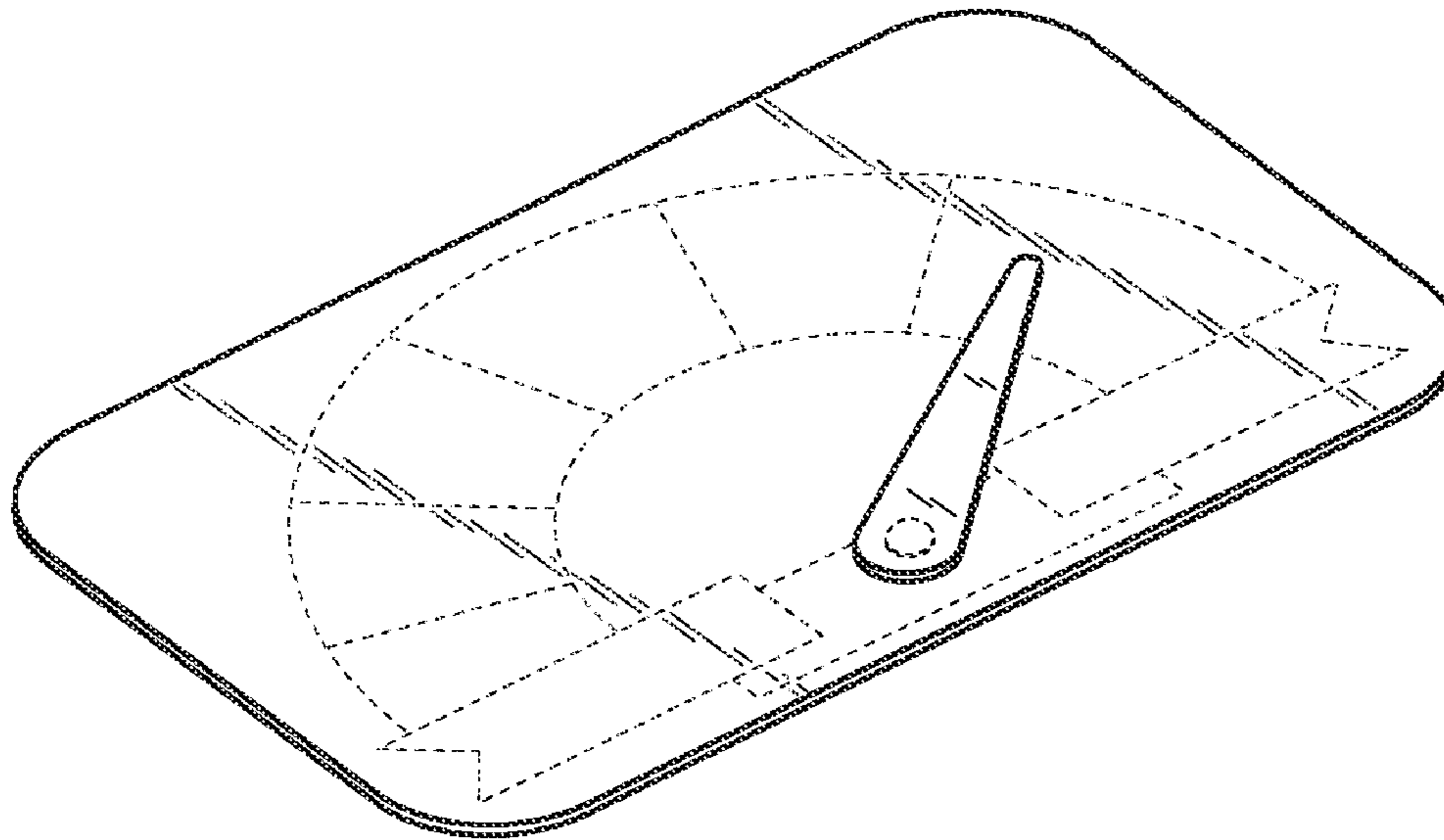
DESCRIPTION

U.S. PATENT DOCUMENTS

744,545 A 11/1903 Hervey
966,107 A 8/1910 Lowe
976,495 A 11/1910 Reeves
1,041,573 A 10/1912 Baring-Gould
1,546,928 A 7/1925 Graham
1,618,710 A 2/1927 Hose
1,951,022 A 3/1934 Iverson
2,476,742 A 7/1949 Lareau et al.
2,573,625 A 10/1951 Swart
2,728,167 A 12/1955 Knott
2,732,655 A 1/1956 Dirckx
2,787,852 A 4/1957 Youngren
2,834,123 A 5/1958 Knight
3,139,690 A 7/1964 Hait
3,665,629 A 5/1972 Shore
D234,212 S 1/1975 Morin et al.

FIG. 1 is a front perspective view of a transaction card showing our new design;
FIG. 2 is a front view thereof;
FIG. 3 is a rear view thereof;
FIG. 4 is a top view thereof;
FIG. 5 is a bottom view thereof;
FIG. 6 is a left side view thereof; and,
FIG. 7 is a right side view thereof.
The features shown in broken lines depict environmental or other associated subject matter and form no part of the claimed design.

1 Claim, 3 Drawing Sheets



US D634,779 S

Page 2

U.S. PATENT DOCUMENTS

5,871,237 A 2/1999 Hunt
6,125,567 A 10/2000 Roy
D522,052 S 5/2006 Lubking
D524,419 S 7/2006 Lord
7,070,172 B2 7/2006 Fabrega et al.
D553,675 S * 10/2007 Hogg D19/9
7,314,179 B1 1/2008 Halbur et al.
D602,571 S 10/2009 Kwok
D613,334 S 4/2010 Halbur et al.
D616,020 S 5/2010 Hoppus et al.
D616,021 S * 5/2010 Halbur D19/9
D622,764 S * 8/2010 Halbur et al. D19/9
7,766,227 B2 8/2010 Reynolds et al.
D624,586 S 9/2010 Halbur et al.
D628,627 S * 12/2010 Halbur et al. D19/9
2002/0096873 A1 7/2002 Scheinblum

2005/0061889 A1 3/2005 McGee et al.
2007/0155281 A1 7/2007 Chang
2008/0191460 A1 8/2008 Blank

OTHER PUBLICATIONS

Photographs of a gift card on a supporting member as publicly offered for sale in Macy's stores at least as early as Dec. 1, 2007, 1 page.

GiftCard with Rotating Spinner Offered for Sale at Target retail stores at least one year prior to Oct. 31, 2009 (1 page).

U.S. Appl. No. 12/488,321, entitled "Transaction Card With Oscillating Member," as filed Jun. 19, 2009.

U.S. Appl. No. 12/610,300, entitled "Transaction Product With Foldable Sheet," as filed Oct. 31, 2009.

* cited by examiner

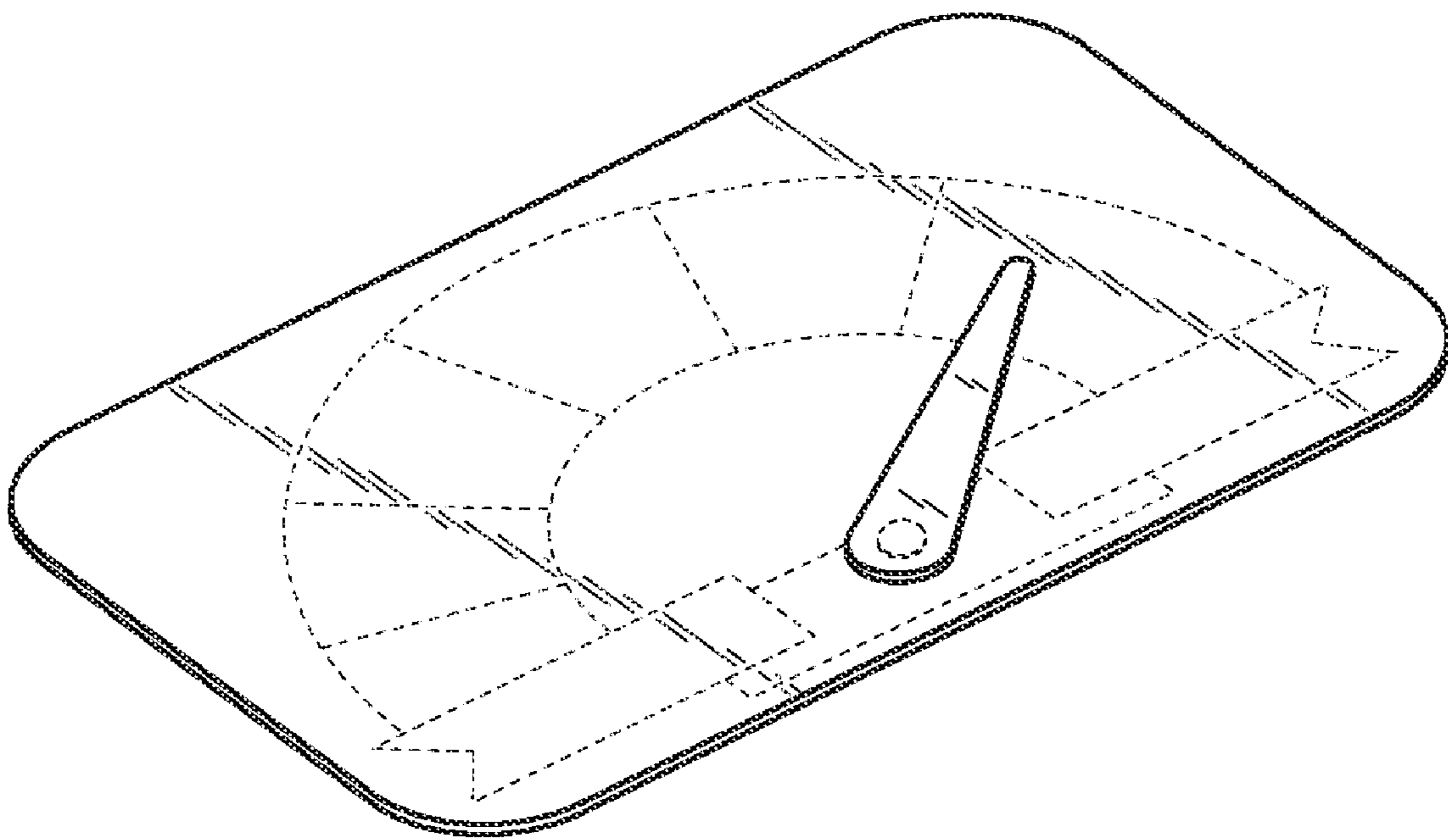


Fig. 1

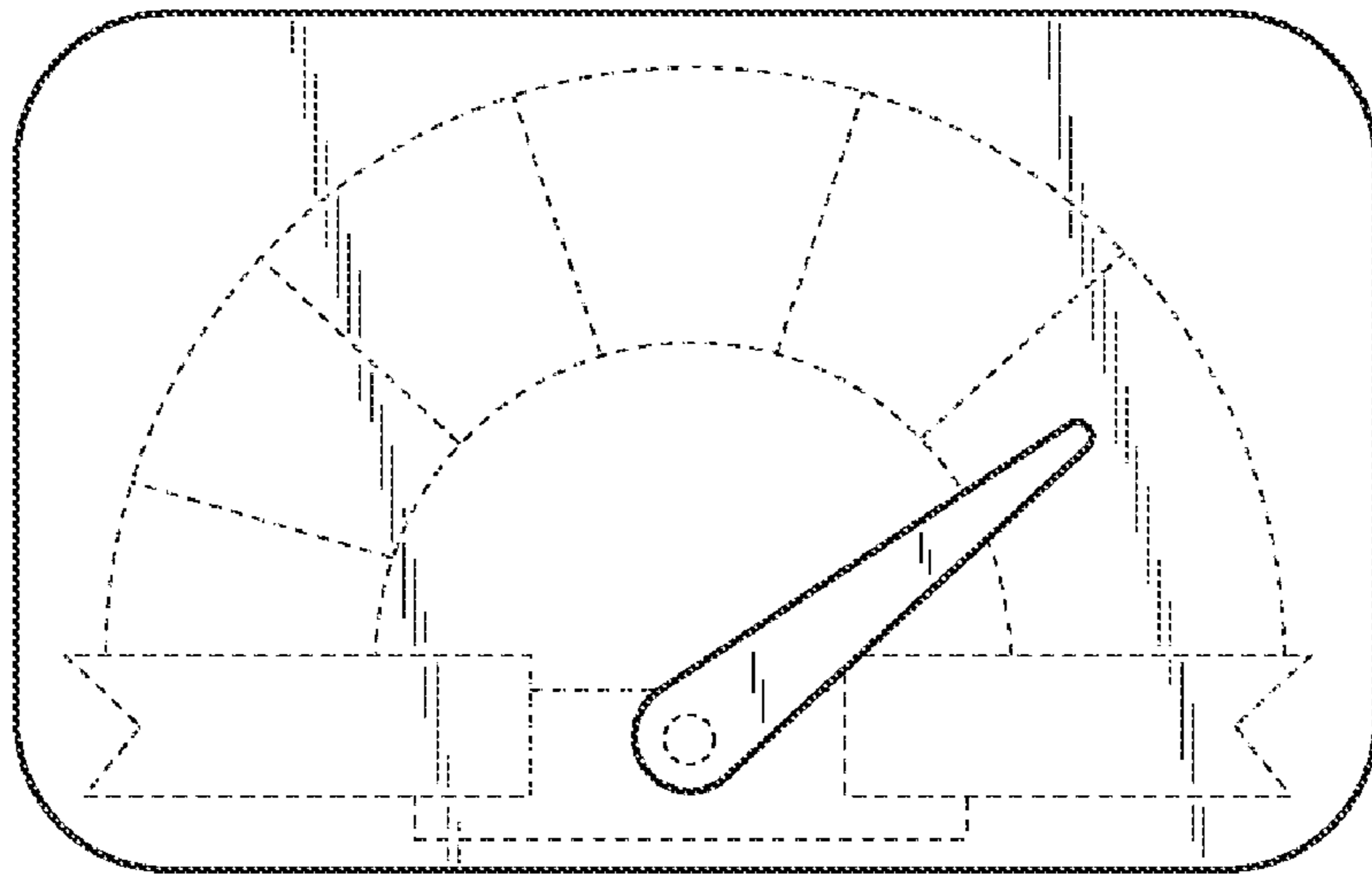


Fig. 2

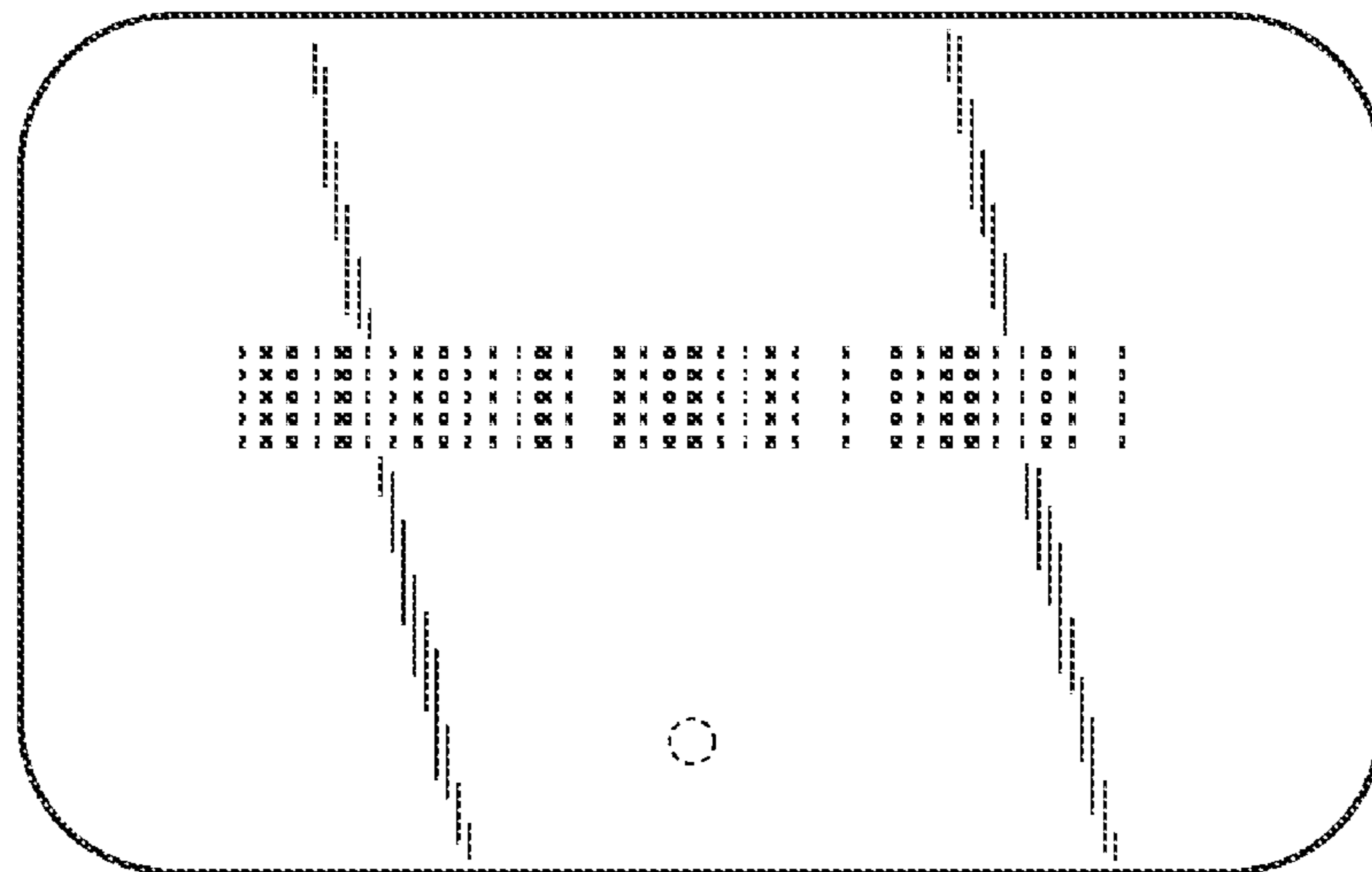


Fig. 3



Fig. 4



Fig. 5



Fig. 6



Fig. 7