



US00D634777S

(12) **United States Design Patent**
Perrill et al.

(10) **Patent No.:** **US D634,777 S**

(45) **Date of Patent:** **** Mar. 22, 2011**

(54) **INK CARTRIDGE FOR AN INK JET PRINTER**

(75) Inventors: **Shaun C. Perrill**, Clayton, IN (US);
Larry R. McMann, Jr., Lebanon, IN (US)

(73) Assignee: **Compatible Technologies LLC**,
Plainfield, IN (US)

(**) Term: **14 Years**

(21) Appl. No.: **29/314,334**

(22) Filed: **Mar. 23, 2009**

(51) **LOC (9) Cl.** **18-02**

(52) **U.S. Cl.** **D18/56**

(58) **Field of Classification Search** D18/40,
D18/43, 56; 347/86, 87
See application file for complete search history.

| | | | |
|--------------|---------|----------------------|--------|
| D471,584 S * | 3/2003 | Sugata et al. | D18/43 |
| D472,267 S | 3/2003 | Shimizu et al. | |
| D472,918 S * | 4/2003 | Ueno et al. | D18/56 |
| D472,919 S | 4/2003 | Shimizu et al. | |
| D472,920 S * | 4/2003 | Ueno | D18/56 |
| D477,841 S | 7/2003 | Shimizu et al. | |
| D490,102 S | 5/2004 | Umeyama et al. | |
| D491,221 S | 6/2004 | Umeyama et al. | |
| D534,581 S * | 1/2007 | Ikezaki et al. | D18/56 |
| D579,492 S * | 10/2008 | Matsumoto | D18/56 |
| D587,749 S * | 3/2009 | Perrill et al. | D18/56 |
| D611,531 S * | 3/2010 | Hatasa et al. | D18/56 |
| D617,376 S * | 6/2010 | Lecheheb et al. | D18/56 |

* cited by examiner

Primary Examiner — David G Muller

(74) *Attorney, Agent, or Firm* — Kyle S. Brant

(57) **CLAIM**

The ornamental design for an ink cartridge for an ink jet printer, as shown and described.

(56) **References Cited**

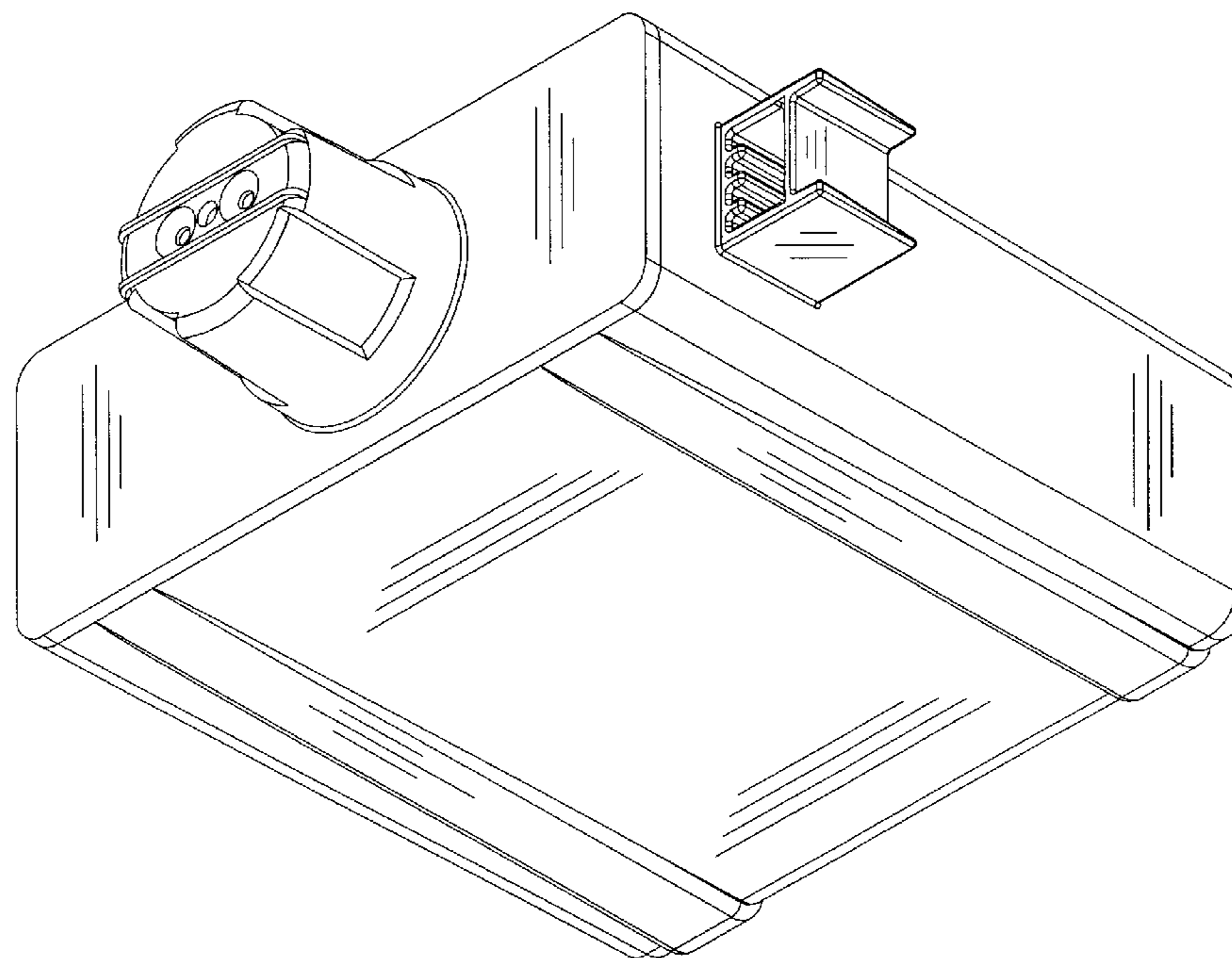
U.S. PATENT DOCUMENTS

| | | | |
|--------------|---------|----------------------|--------|
| D320,157 S | 9/1991 | Nobile et al. | |
| D390,259 S | 2/1998 | Inoue et al. | |
| D390,598 S * | 2/1998 | Miyazawa et al. | D18/56 |
| D391,293 S | 2/1998 | Hino et al. | |
| D395,914 S * | 7/1998 | Yoshino et al. | D18/43 |
| D400,573 S | 11/1998 | Inoue et al. | |
| D417,233 S * | 11/1999 | Sabonis | D18/56 |
| D418,156 S | 12/1999 | Maeda | |
| D424,611 S * | 5/2000 | Gasvoda et al. | D18/56 |
| D427,628 S | 7/2000 | Klein et al. | |
| D438,897 S | 3/2001 | Hatasa et al. | |
| D448,798 S | 10/2001 | Shimizu et al. | |
| D449,643 S | 10/2001 | Hatasa et al. | |
| D454,364 S * | 3/2002 | Seino et al. | D18/56 |

DESCRIPTION

FIG. 1 is a front left top perspective view of the ink cartridge showing our new design;
 FIG. 2 is a front elevational view thereof;
 FIG. 3 is a front right bottom perspective view thereof;
 FIG. 4 is a top plan view thereof;
 FIG. 5 is a left side elevational view thereof;
 FIG. 6 is a bottom plan view thereof;
 FIG. 7 is a right side elevational view thereof;
 FIG. 8 is a bottom left rear perspective view thereof;
 FIG. 9 is a rear elevational view thereof; and,
 FIG. 10 is a front left bottom perspective view thereof.

1 Claim, 7 Drawing Sheets



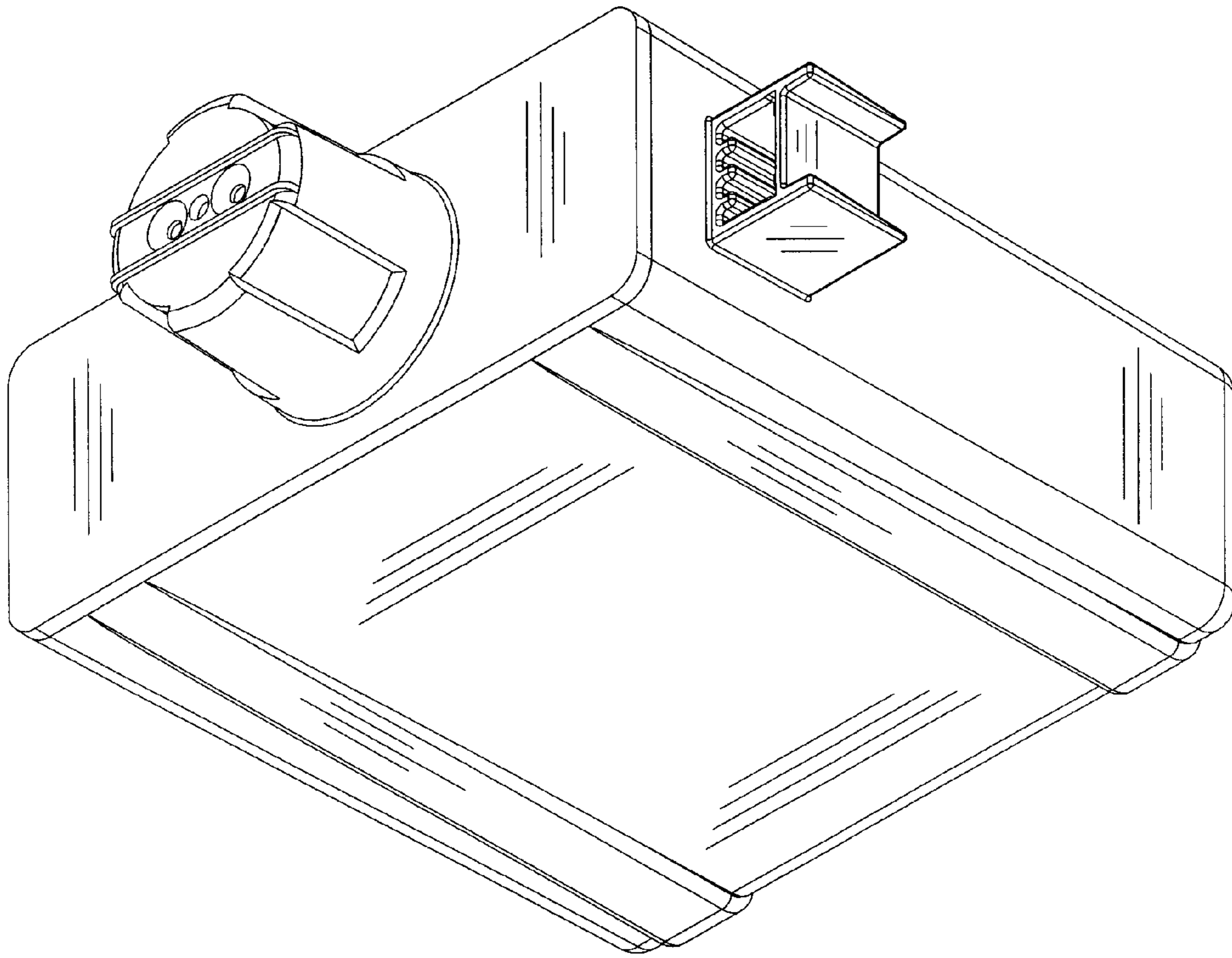


Fig. 1

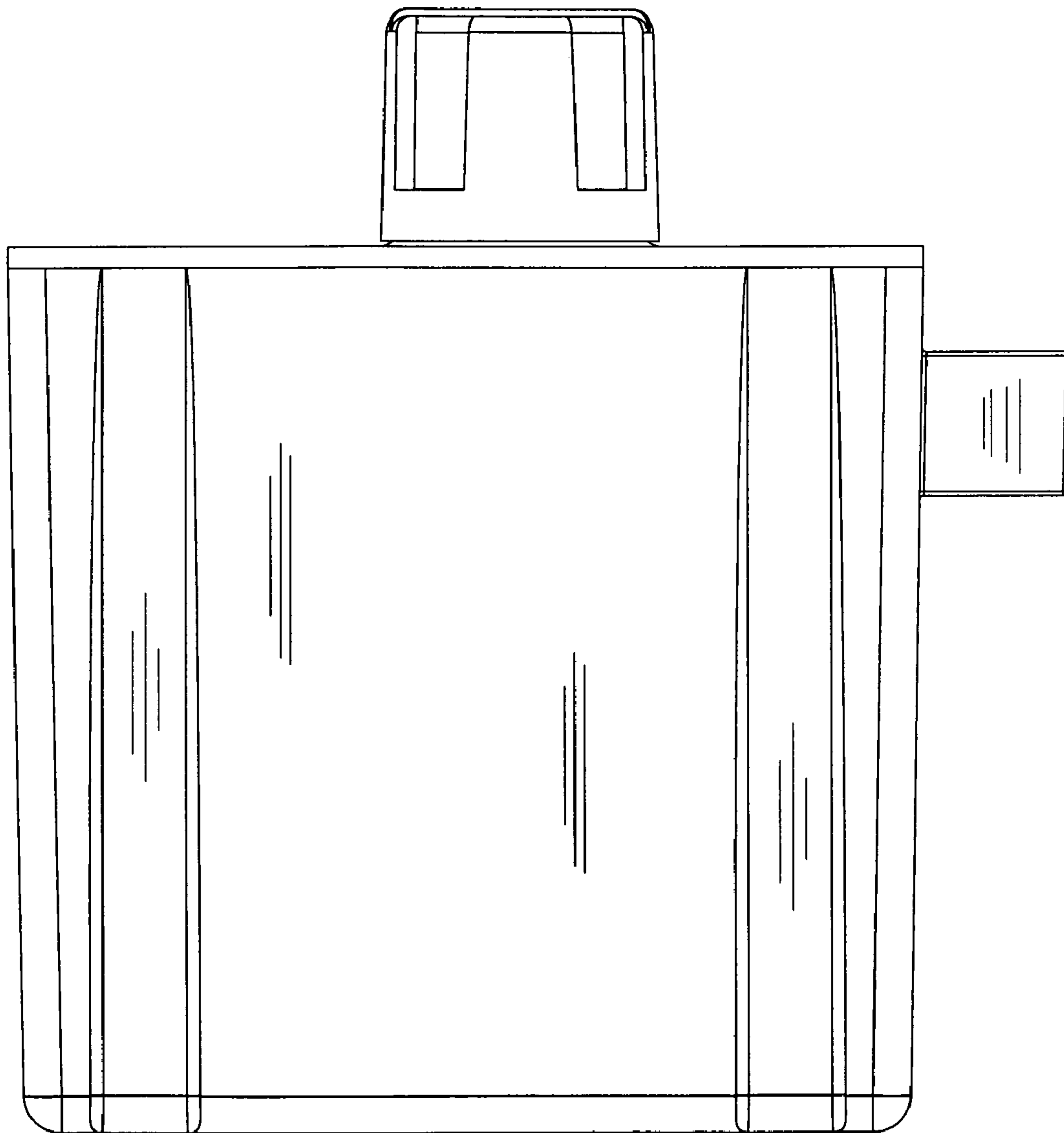


Fig. 2

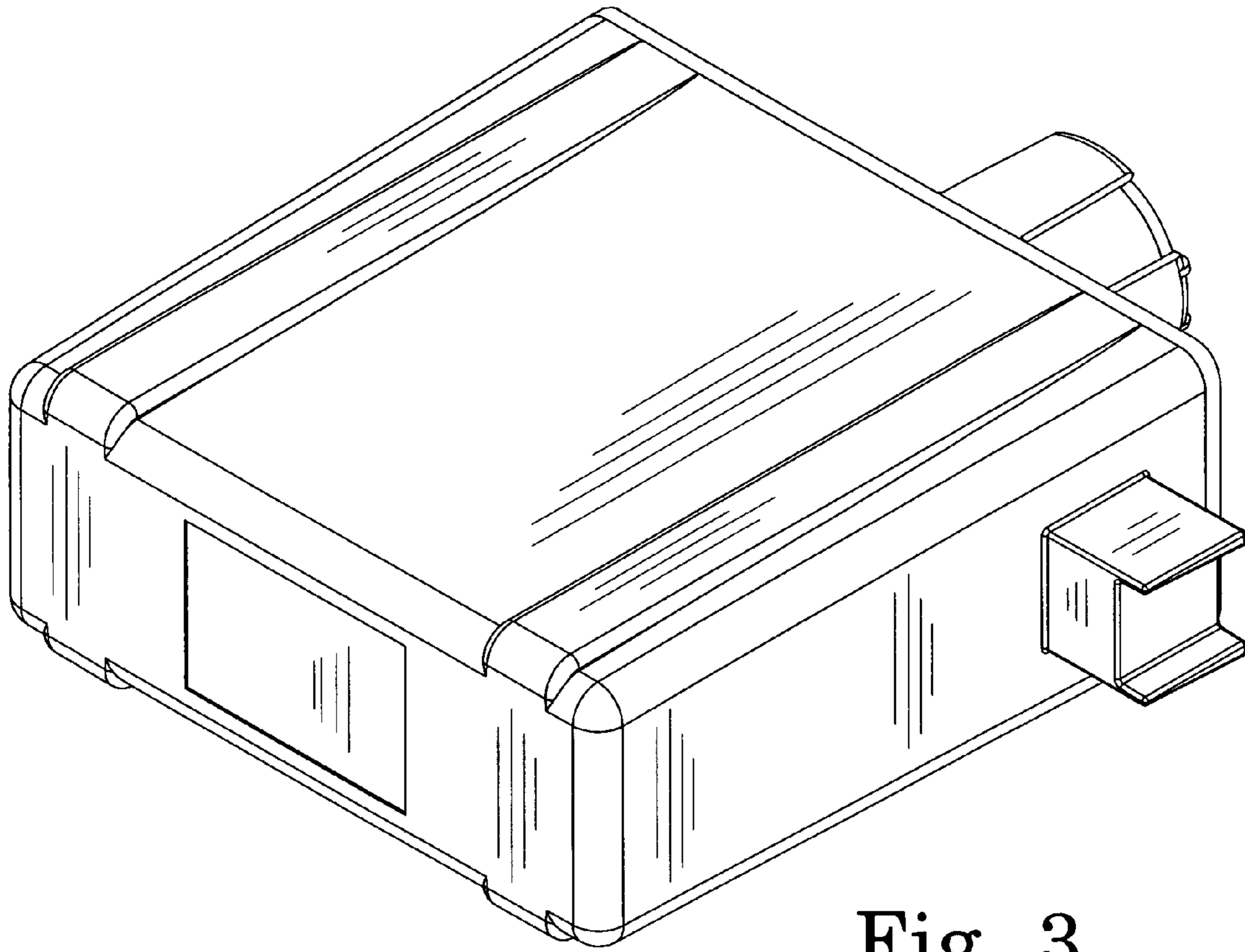


Fig. 3

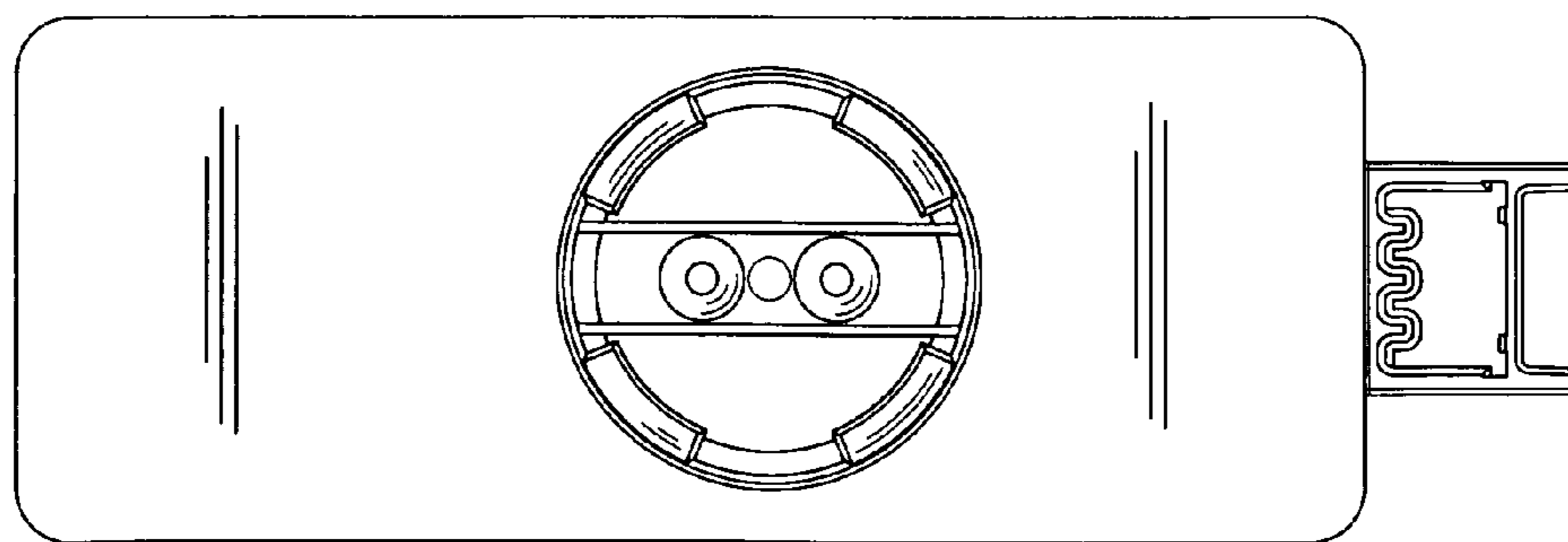


Fig. 4

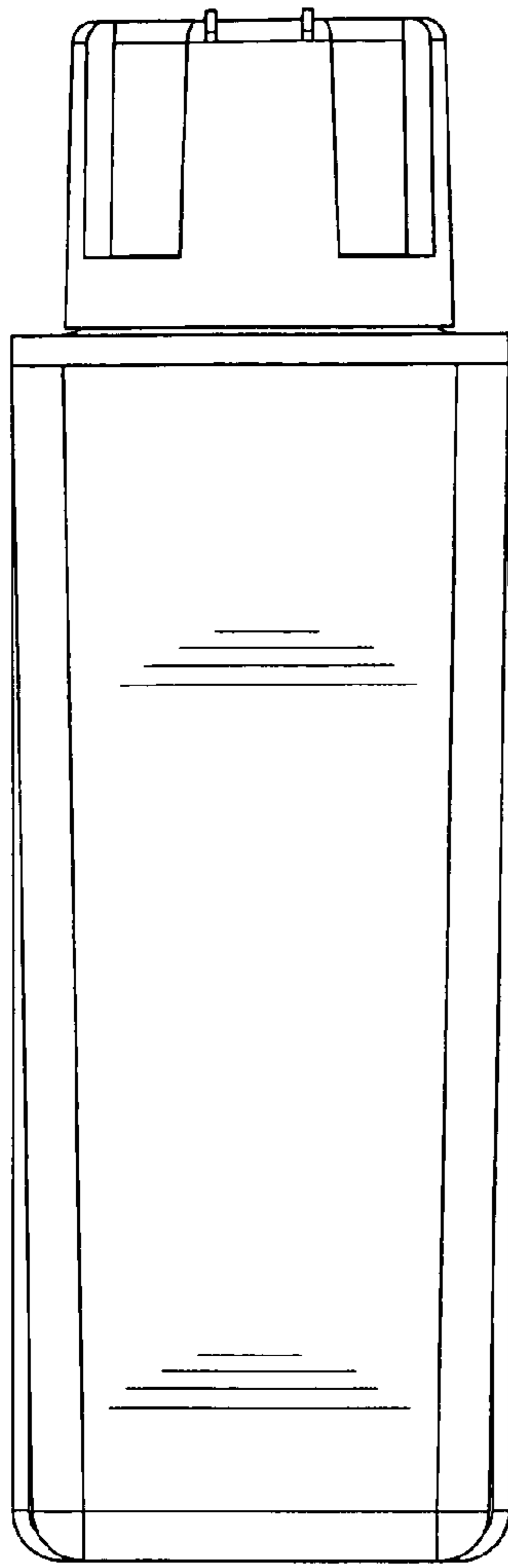


Fig. 5

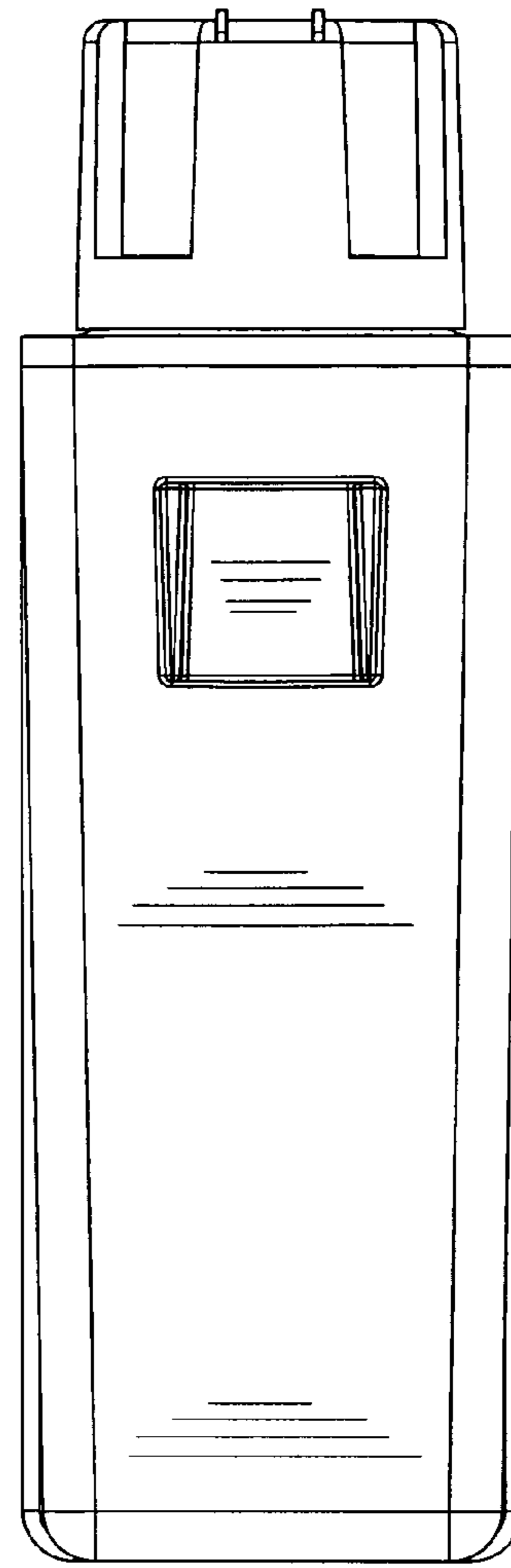


Fig. 7

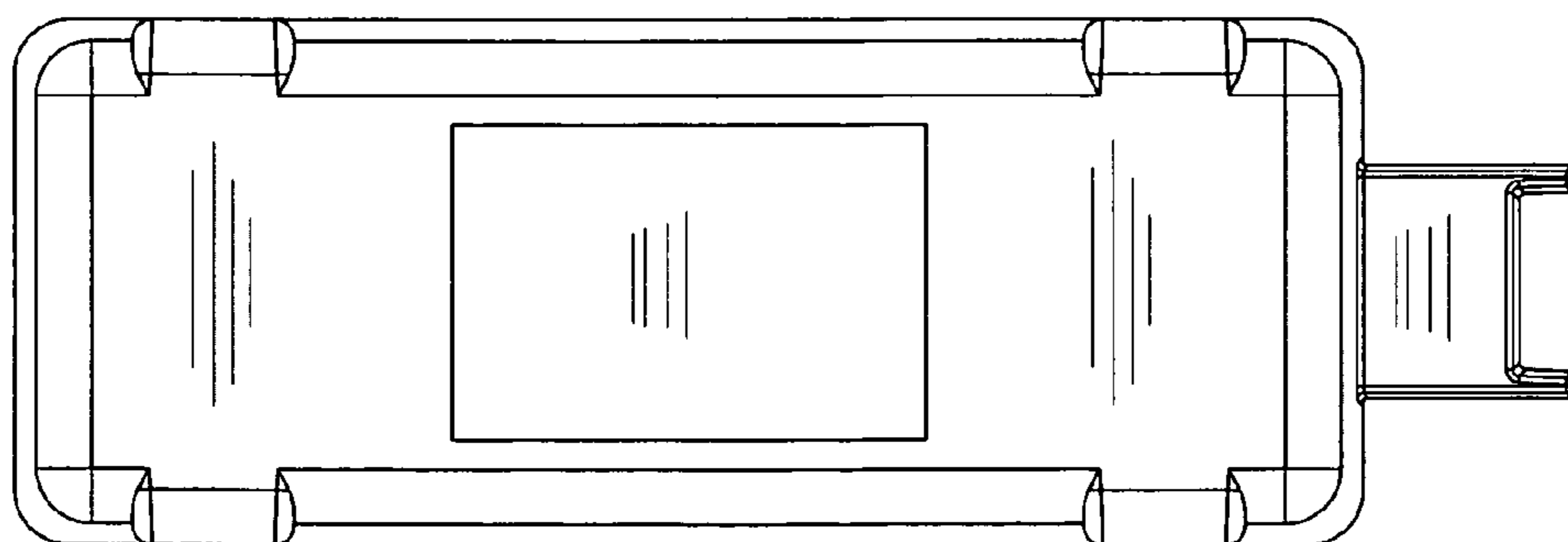


Fig. 6

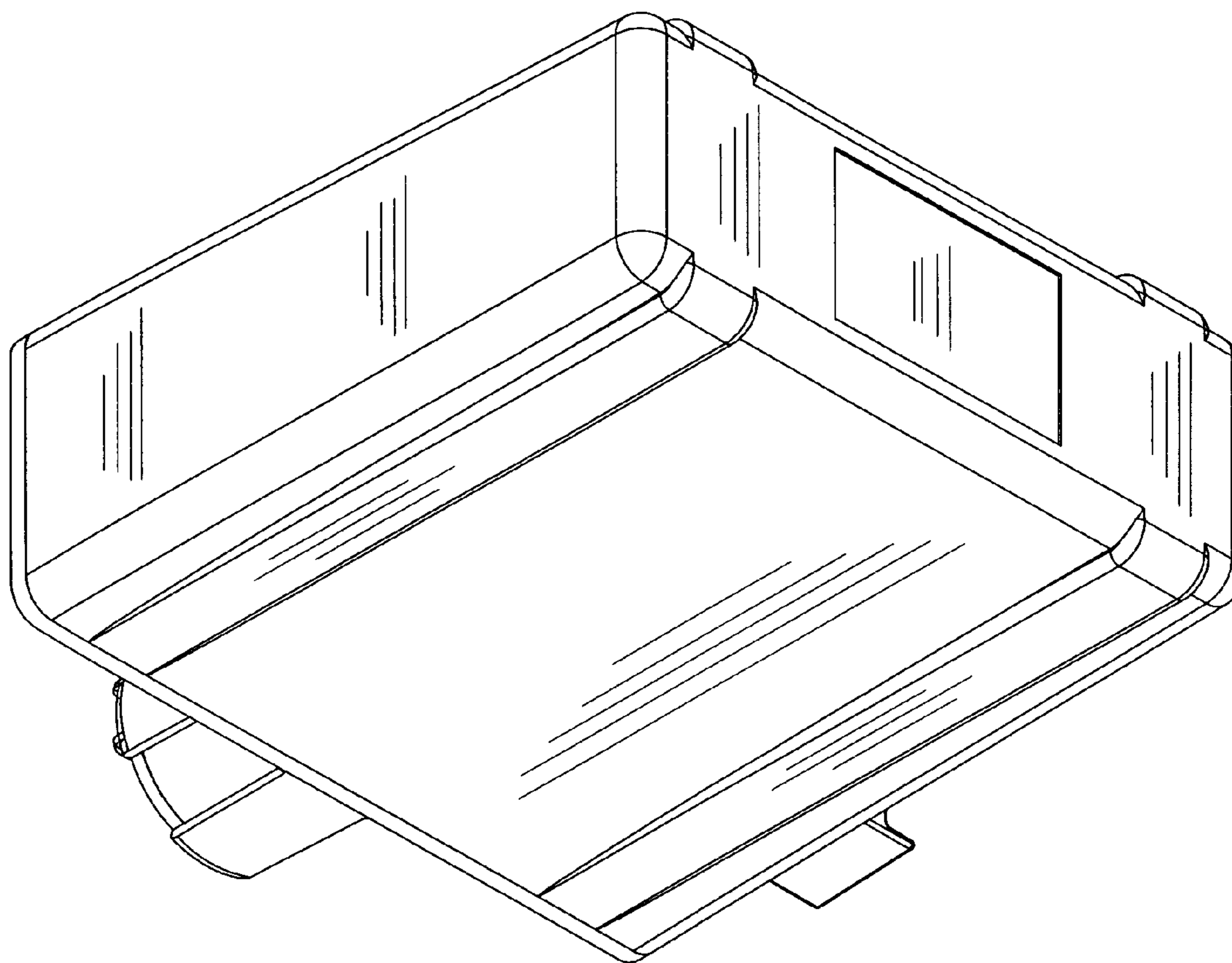


Fig. 8

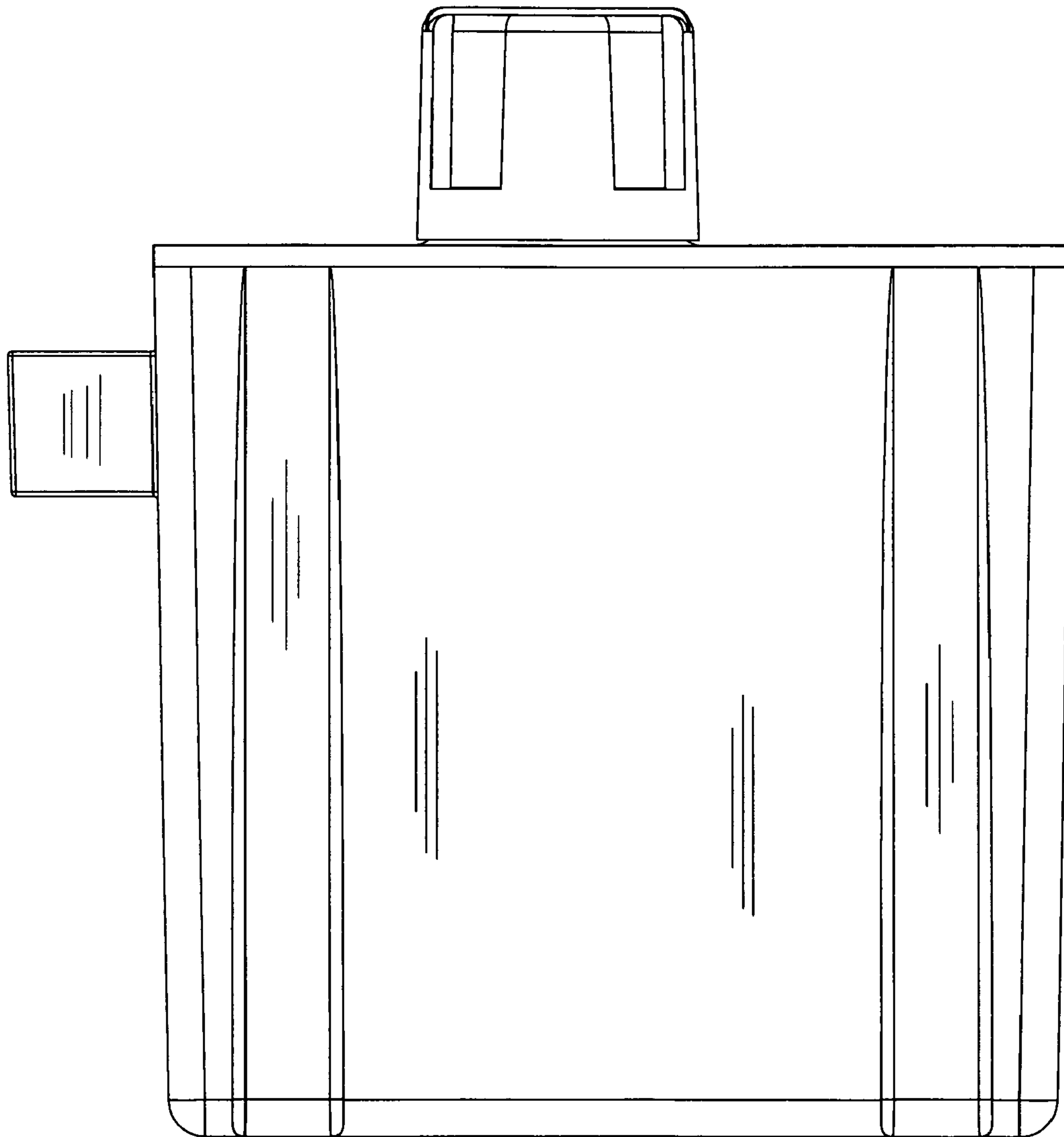


Fig. 9

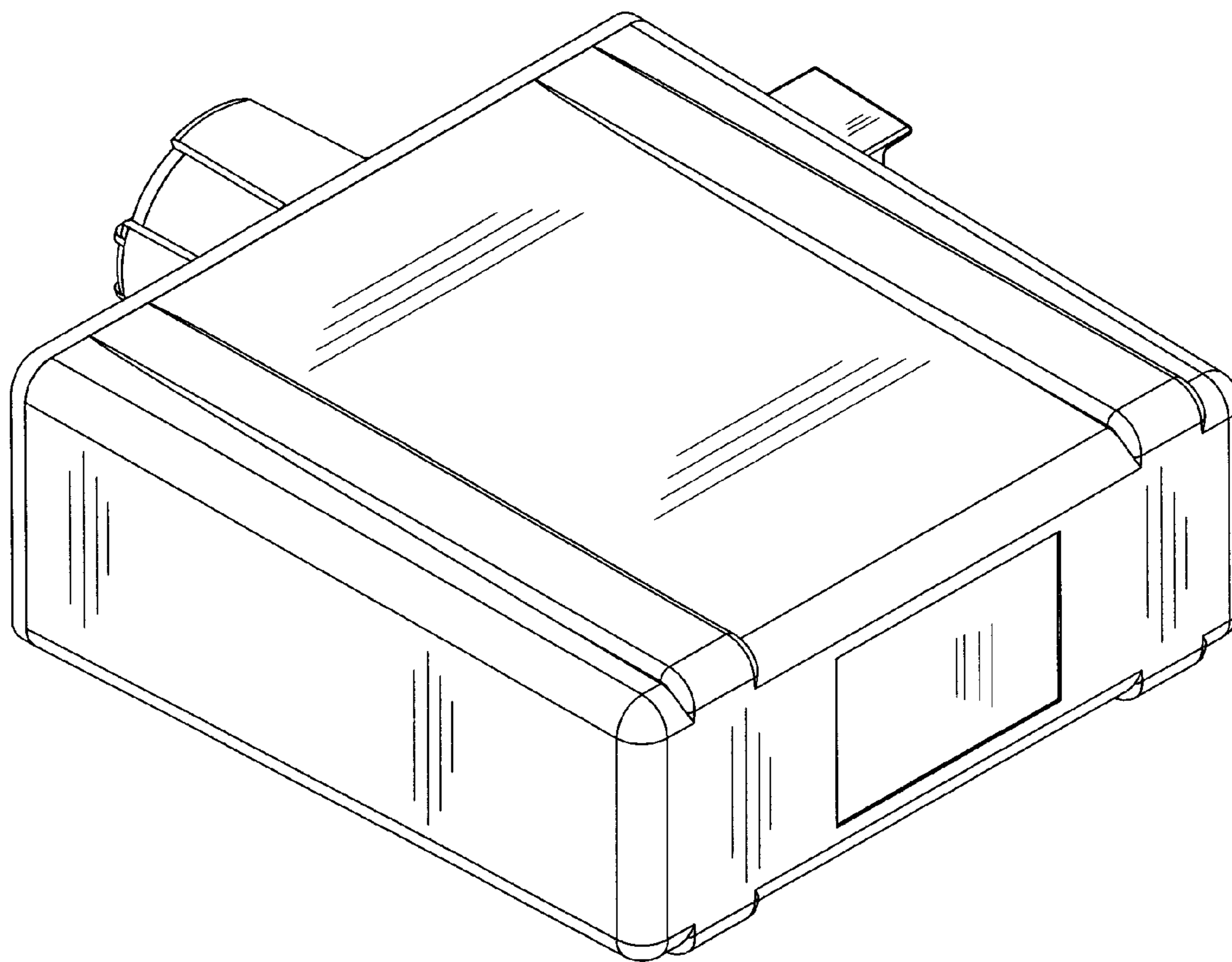


Fig. 10