



US00D634770S

(12) **United States Design Patent**  
**Dittmer**

(10) **Patent No.:** **US D634,770 S**  
(45) **Date of Patent:** **\*\* Mar. 22, 2011**

(54) **PROJECTOR MOUNT**

(75) Inventor: **Jay Dittmer**, Prior Lake, MN (US)

(73) Assignee: **Milestone AV Technologies LLC**,  
Savage, MN (US)

(\*\*) Term: **14 Years**

(21) Appl. No.: **29/335,377**

(22) Filed: **Apr. 14, 2009**

(51) **LOC (9) Cl.** ..... **16-02**

(52) **U.S. Cl.** ..... **D16/235; D16/242**

(58) **Field of Classification Search** ..... D16/235,  
D16/242, 245; D14/238, 224, 214; D8/363,  
D8/373, 383, 387; 343/882, 888, 878; 248/317,  
248/674, 917, 924, 343, 342, 323, 212.11,  
248/222.12, 126, 274.1, 514, 515, 516, 518,  
248/519, 523, 527, 222.51; 353/119  
See application file for complete search history.

(56) **References Cited**

**U.S. PATENT DOCUMENTS**

5,551,658	A *	9/1996	Dittmer	248/329
6,042,068	A	3/2000	Tcherny	
D480,100	S	9/2003	Lam	
7,156,359	B2	1/2007	Dittmer et al.	
7,259,727	B2 *	8/2007	Chan	343/888
D570,394	S	6/2008	Dittmer et al.	
7,481,410	B2	1/2009	Umberg	
7,497,412	B2 *	3/2009	Dittmer et al.	248/514
D625,750	S *	10/2010	Dittmer	D16/235
2007/0034764	A1 *	2/2007	Dittmer et al.	248/343
2007/0257181	A1 *	11/2007	Dittmer et al.	248/637
2009/0316118	A1 *	12/2009	Dittmer	353/119
2010/0193650	A1 *	8/2010	Dittmer et al.	248/222.51

**OTHER PUBLICATIONS**

U.S. Appl. No. 29/335,374, filed Apr. 14, 2009, Dittmer.  
File History for U.S. Appl. No. 29/335,374, filed Apr. 14, 2009, 19  
Pgs.  
Chief Full Line Catalog dated Jun. 2006, 13 Pgs.

\* cited by examiner

*Primary Examiner* — Ian Simmons

*Assistant Examiner* — Wan Laymon

(74) *Attorney, Agent, or Firm* — Patterson Thuent  
Christensen Pedersen, P.A.

(57) **CLAIM**

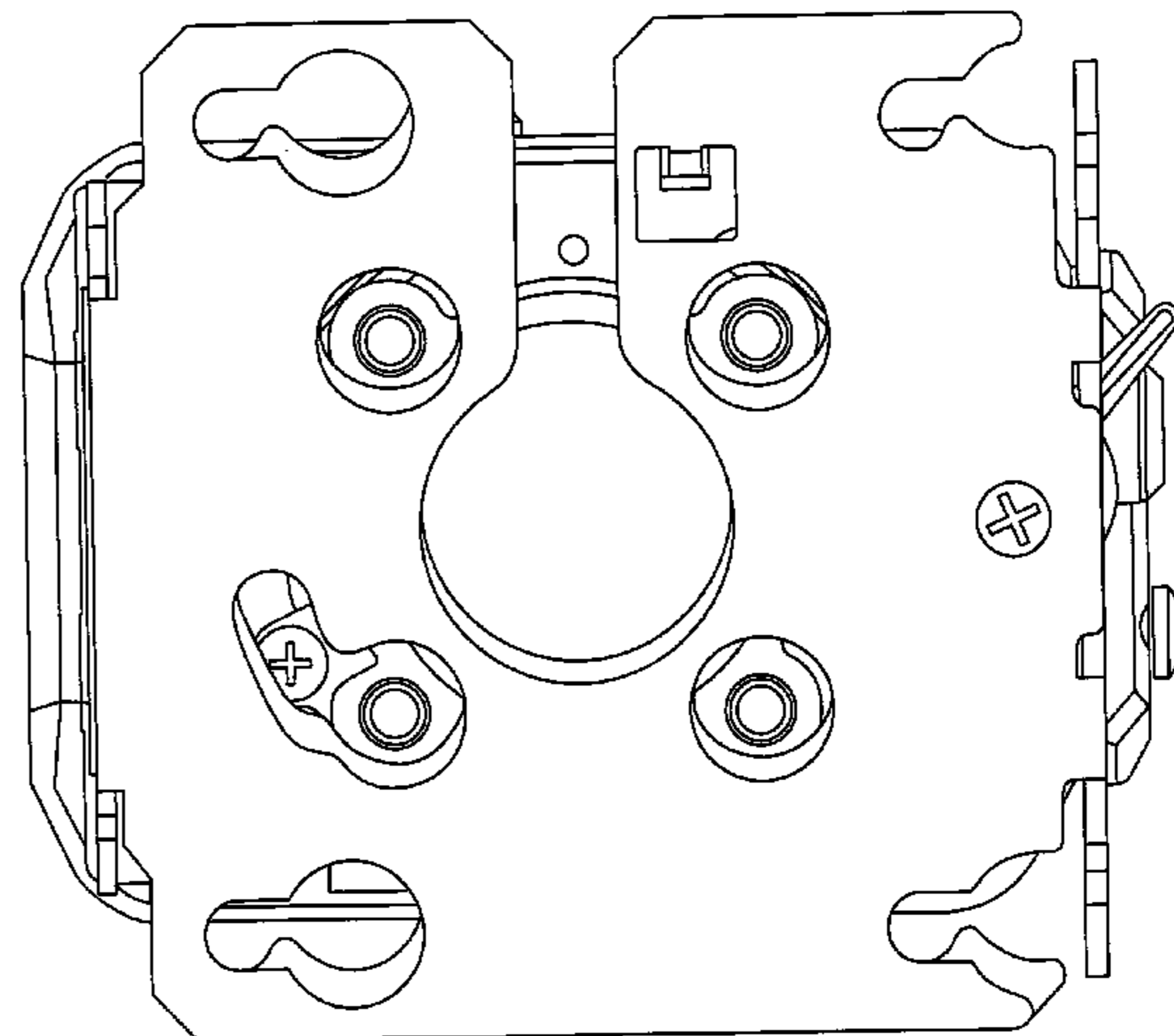
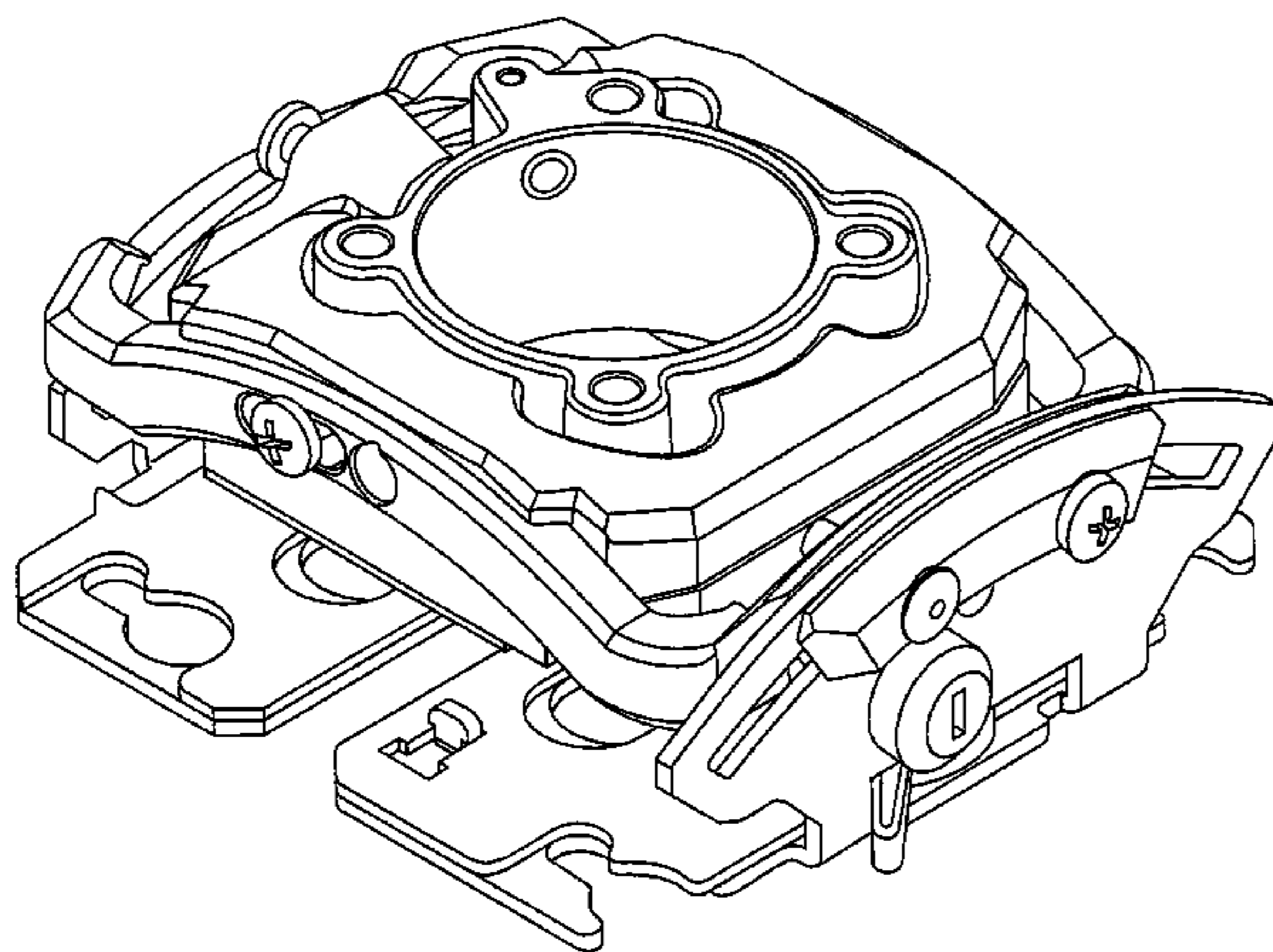
The ornamental design for a projector mount, as shown and  
described.

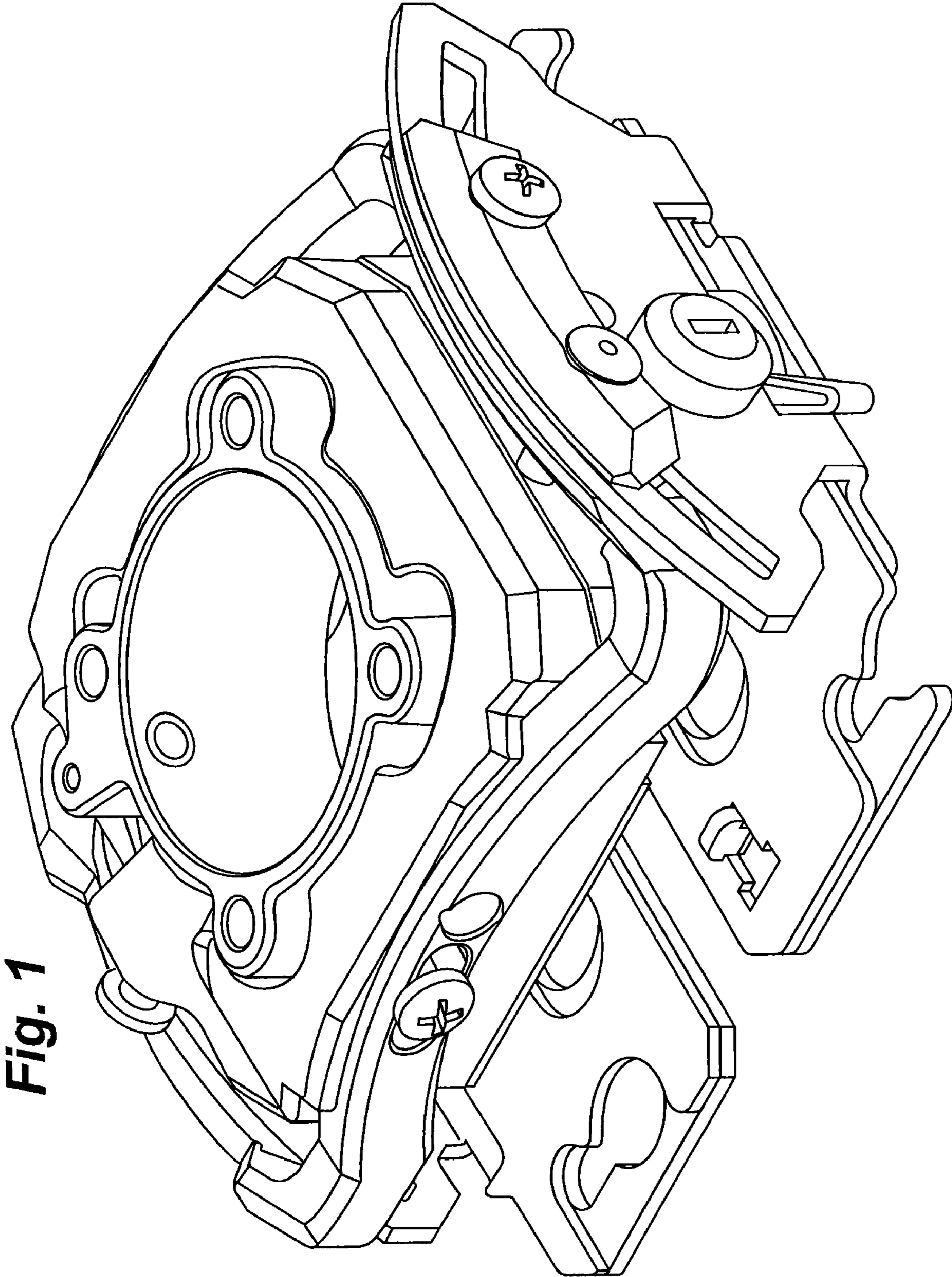
**DESCRIPTION**

FIG. 1 is a front and top perspective view of a projector mount  
according to the invention;  
FIG. 2 is a front elevation view of the projector mount  
depicted in FIG. 1;  
FIG. 3 is a rear elevation view of the projector mount depicted  
in FIG. 1;  
FIG. 4 is a side elevation view of the projector mount depicted  
in FIG. 1;  
FIG. 5 is an opposing side elevation view of the projector  
mount depicted in FIG. 4;  
FIG. 6 is a top plan view of the projector mount depicted in  
FIG. 1; and,  
FIG. 7 is a bottom plan view of the projector mount depicted  
in FIG. 1.

The broken lines showing portions of the projector mount is  
included for the purpose of illustrating environmental struc-  
ture and forms no part of the claimed design.

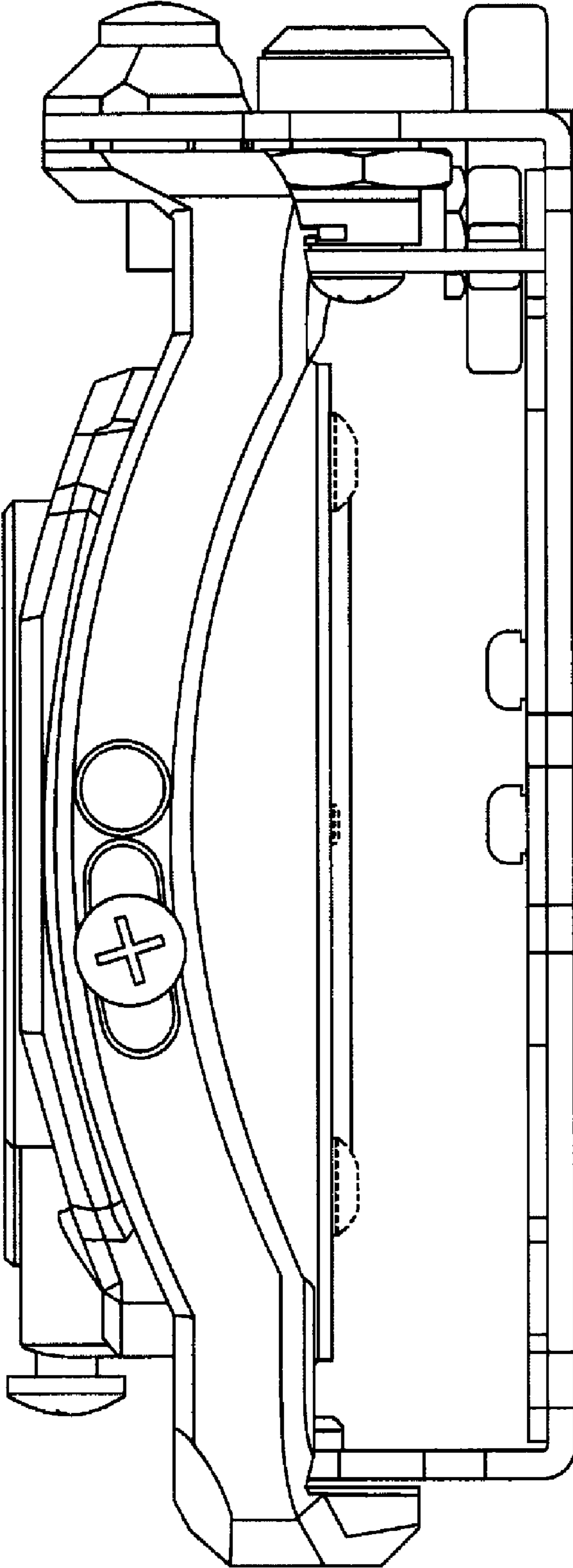
**1 Claim, 7 Drawing Sheets**



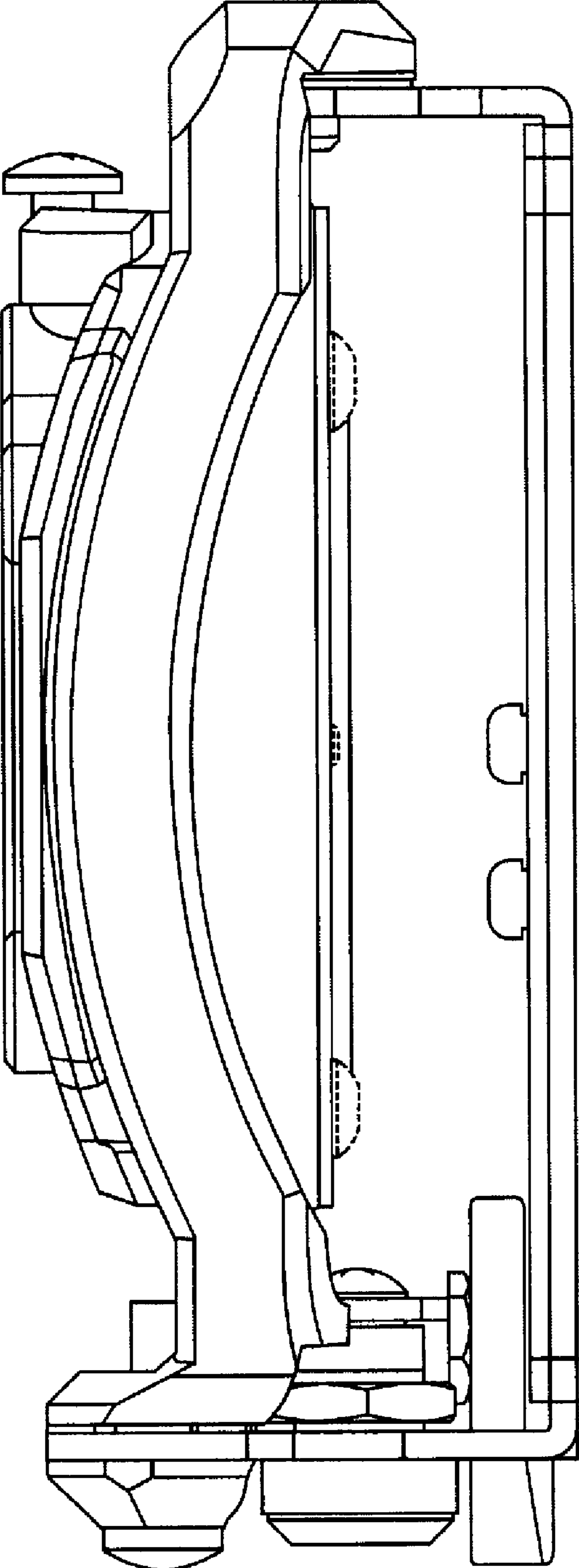


**Fig. 1**

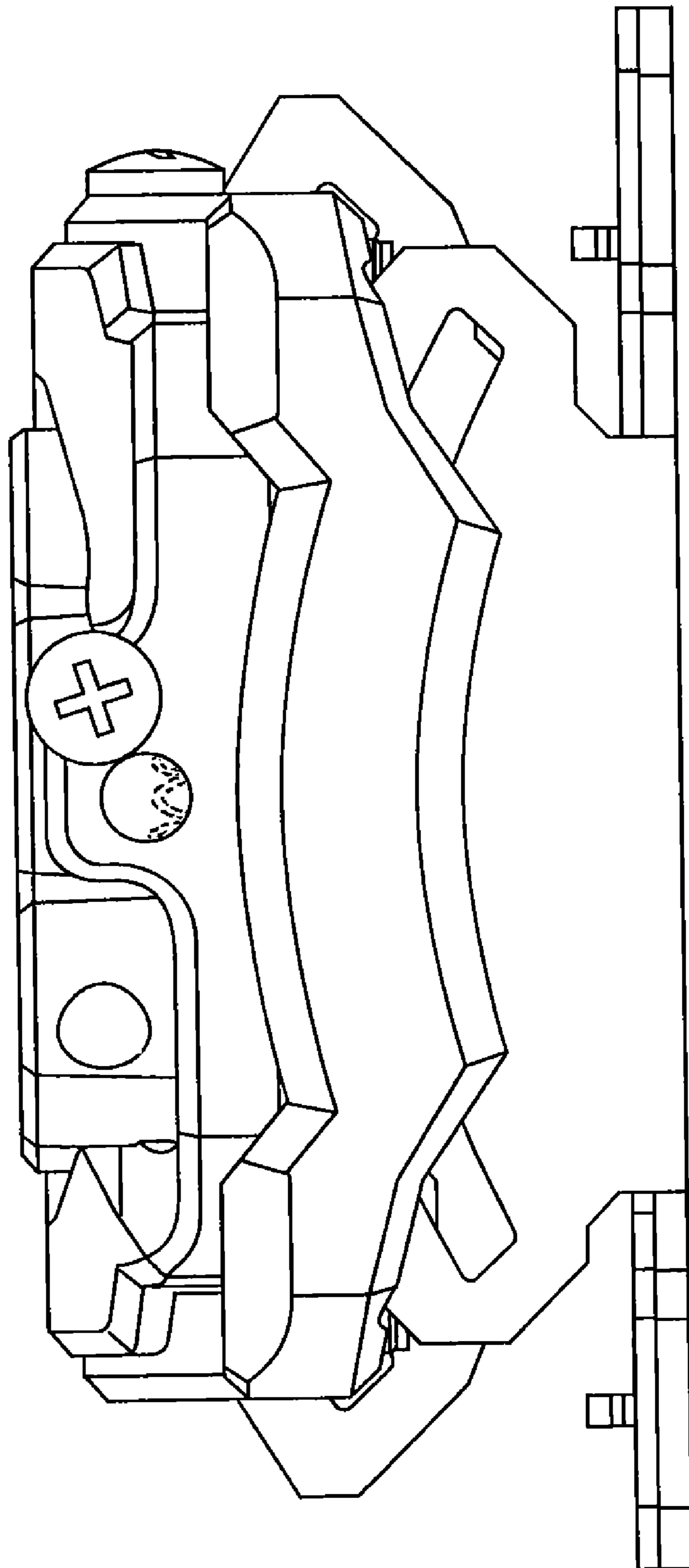
**Fig. 2**



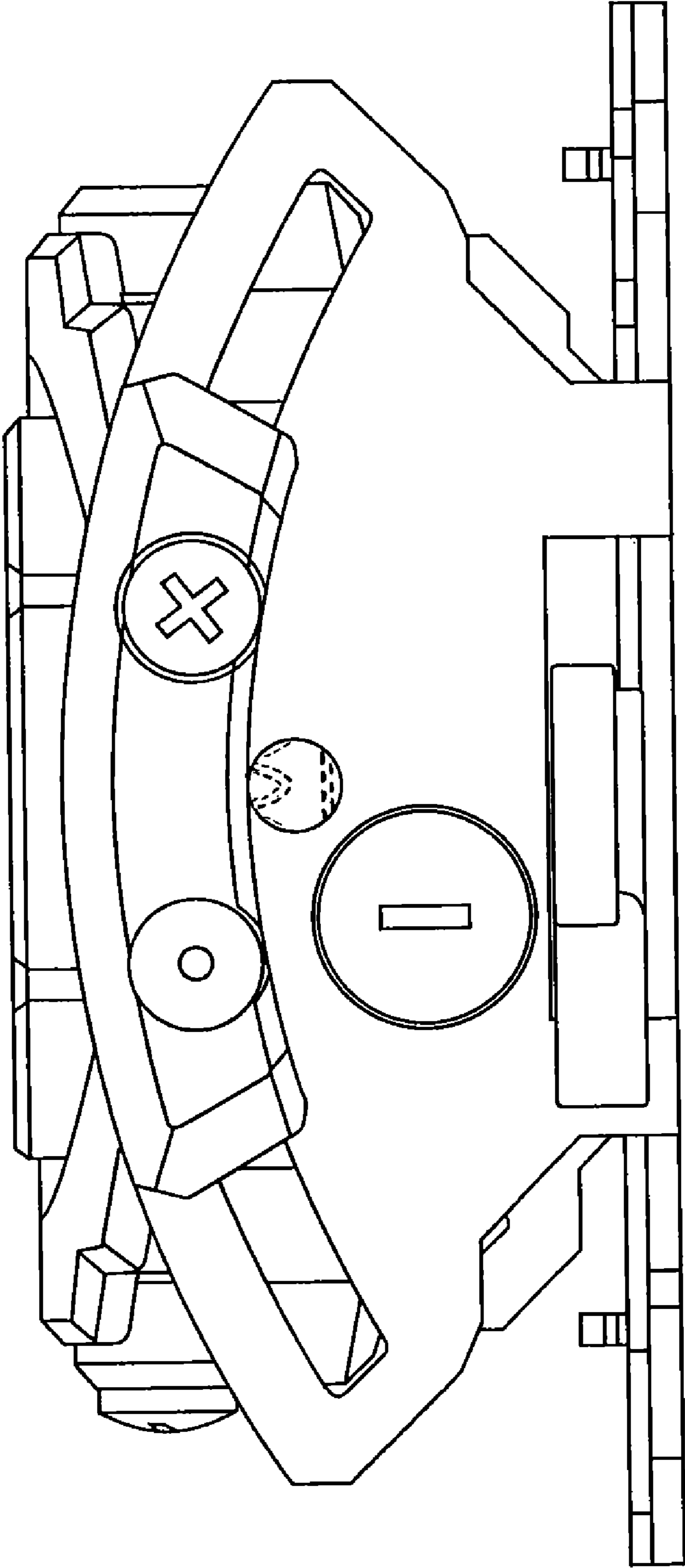
**Fig. 3**



**Fig. 4**



**Fig. 5**



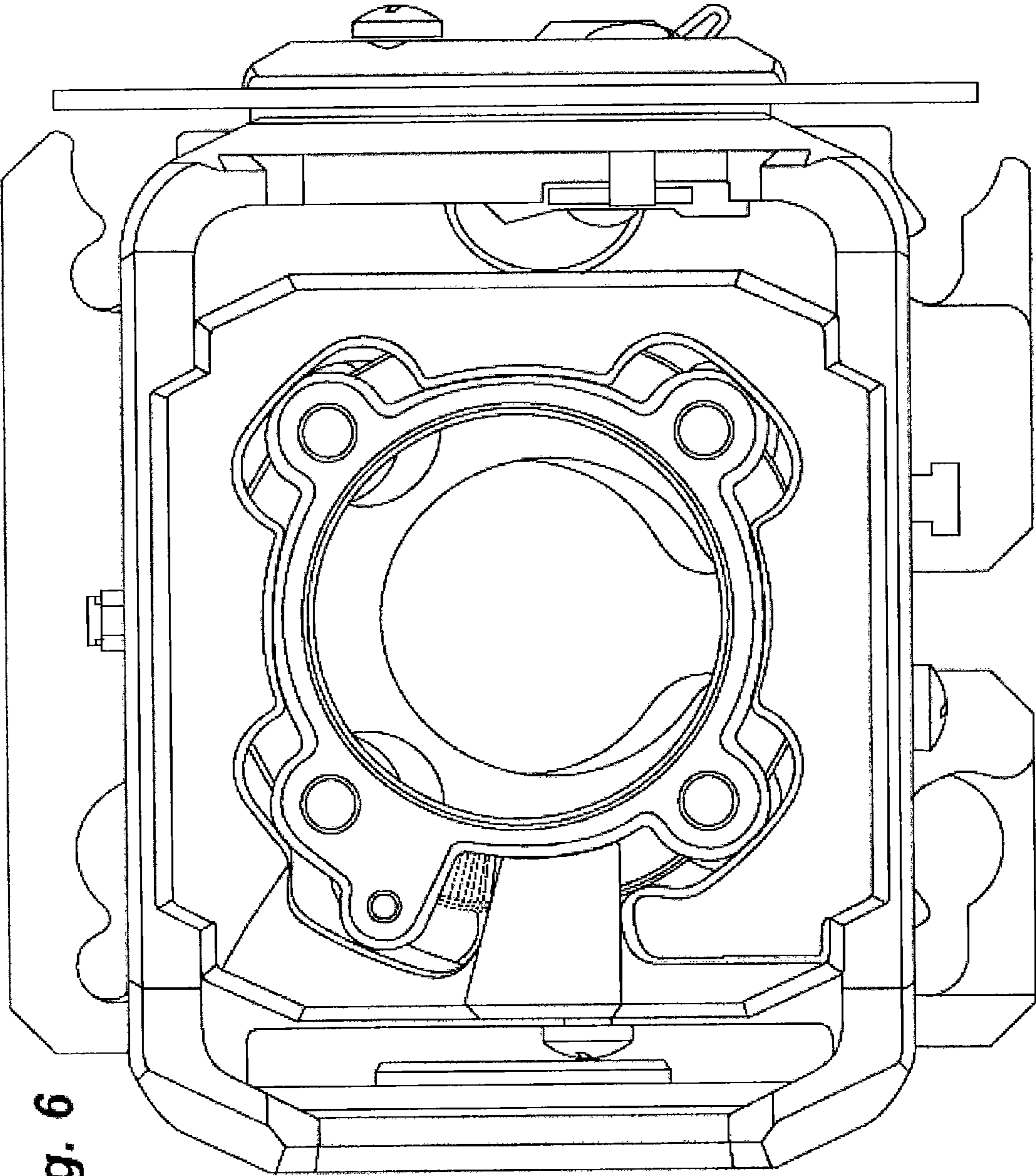


Fig. 6

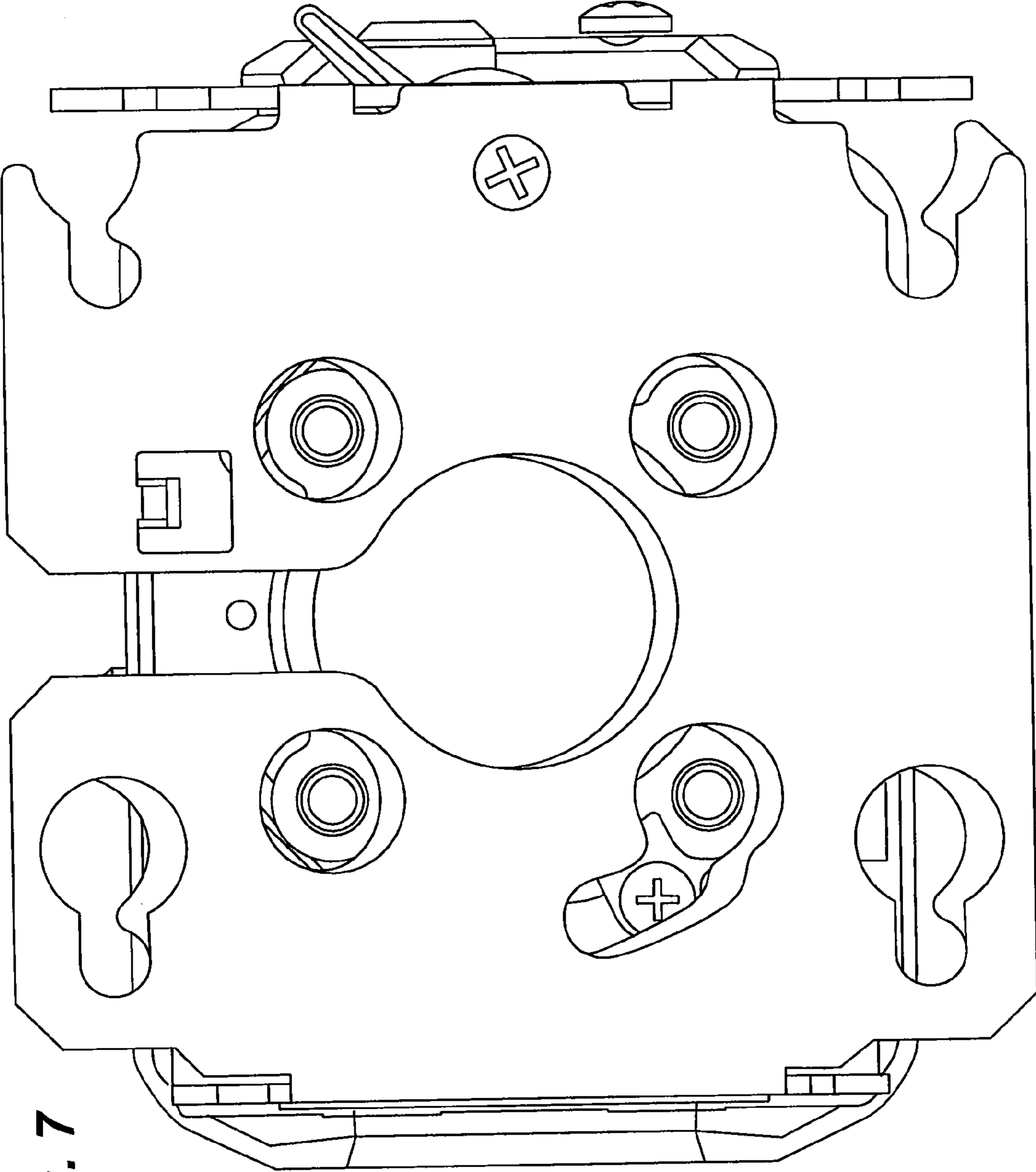


Fig. 7