



US00D634767S

(12) **United States Design Patent**
Ko

(10) **Patent No.:** **US D634,767 S**
(45) **Date of Patent:** **** Mar. 22, 2011**

(54) **CLOSED CIRCUIT TELEVISION CAMERA**

(75) Inventor: **Yoon-Hwa Ko**, Bucheon-si (KR)

(73) Assignee: **Hdpro Co., Ltd.**, Ojeong-gu,
Bucheon-si, Gyeonggi-do (KR)

(**) Term: **14 Years**

(21) Appl. No.: **29/367,545**

(22) Filed: **Aug. 10, 2010**

(30) **Foreign Application Priority Data**

Feb. 25, 2010 (KR) 30-2010-0008283

(51) **LOC (9) Cl.** **16-01**

(52) **U.S. Cl.** **D16/203**

(58) **Field of Classification Search** D16/200–205,
D16/218; 348/143, 151, 373–376; 396/427,
396/535–541

See application file for complete search history.

(56) **References Cited**

U.S. PATENT DOCUMENTS

D430,888 S *	9/2000	Adachi et al.	D16/203
D497,928 S *	11/2004	Cheng-Yuan	D16/203
D515,607 S *	2/2006	Cheng	D16/203
D528,144 S *	9/2006	Takemasa	D16/203
D532,809 S *	11/2006	Shih	D16/203
D578,560 S *	10/2008	Hsia	D16/203
D578,561 S *	10/2008	Dumanogullari	D16/203

7,777,810 B2 *	8/2010	Kung et al.	348/151
2007/0008409 A1 *	1/2007	Yoo	348/143
2008/0266393 A1 *	10/2008	Park	348/143
2009/0284596 A1 *	11/2009	Lin	348/143
2009/0309968 A1 *	12/2009	Cheng	348/143

* cited by examiner

Primary Examiner — Adir Aronovich

(74) *Attorney, Agent, or Firm* — Lexyoume IP Group,
PLLC.

(57) **CLAIM**

The ornamental design for a closed circuit television camera,
as shown and described.

DESCRIPTION

FIG. 1 is a front and left side perspective view of a closed circuit television camera showing my new design; FIG. 2 is a front elevational view thereof; FIG. 3 is a rear elevational view thereof; FIG. 4 is a left side elevational view thereof; FIG. 5 is a right side elevational view thereof; FIG. 6 is a top plan view thereof; FIG. 7 is a bottom plan view thereof; and, FIG. 8 is a right side elevational view thereof, showing the closed circuit television camera being supported by a fixed structure when used. The fixed support structure is shown to illustrate an environment only and forms no part of the claimed design.

The broken lines in FIG. 8 are for illustrative purpose only and form no part of the claimed design.

1 Claim, 8 Drawing Sheets

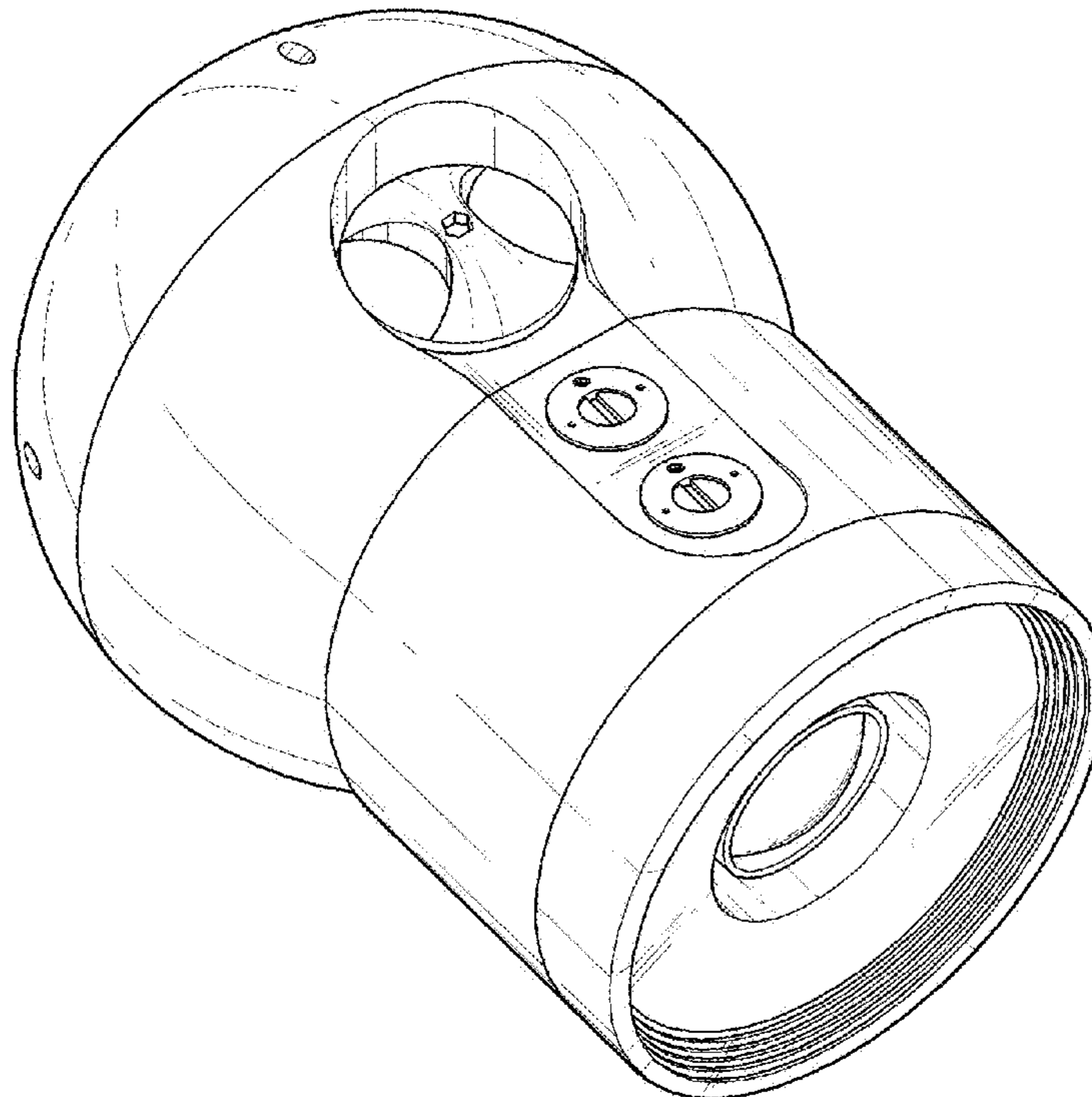


FIG. 1

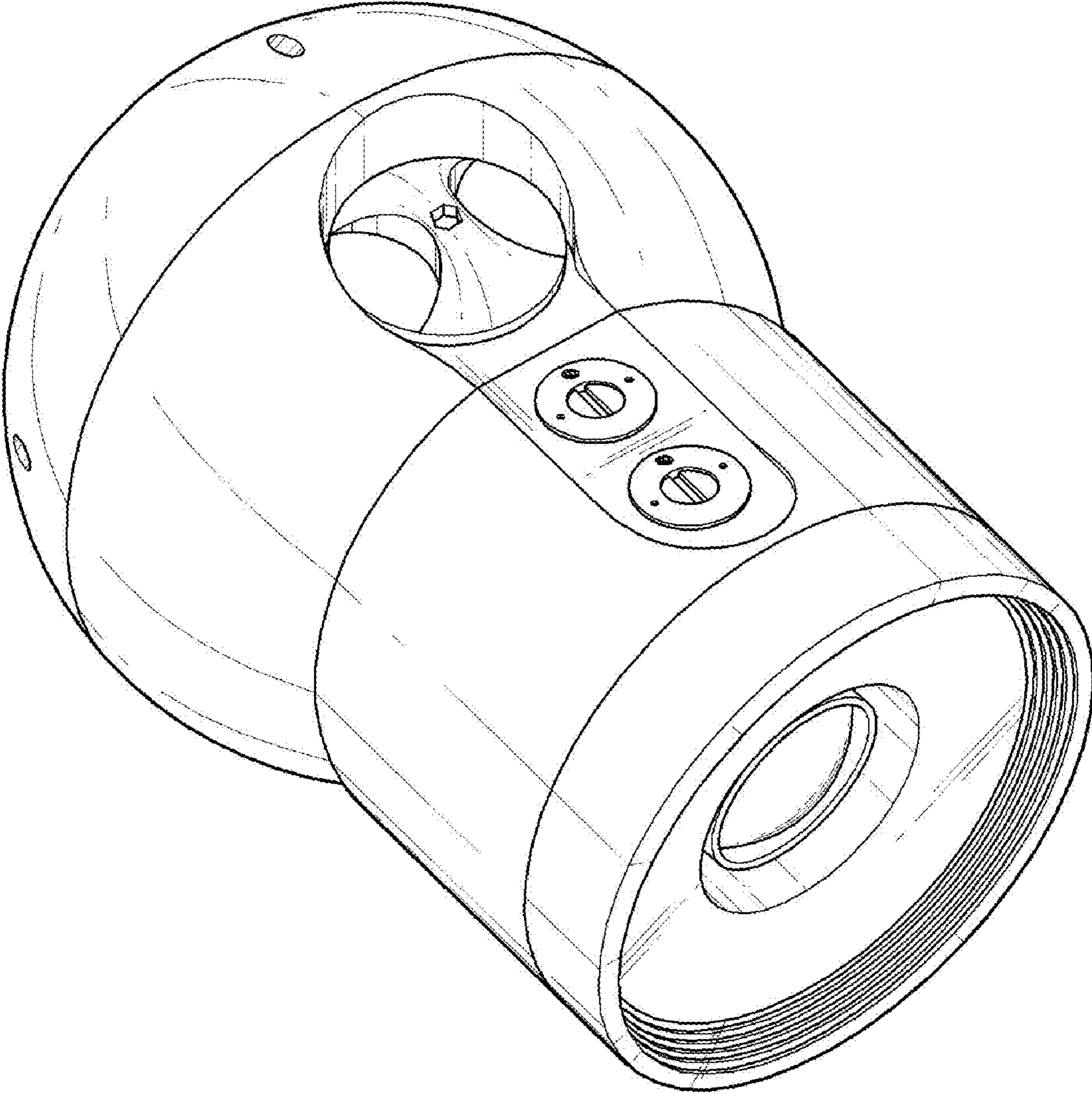


FIG. 2

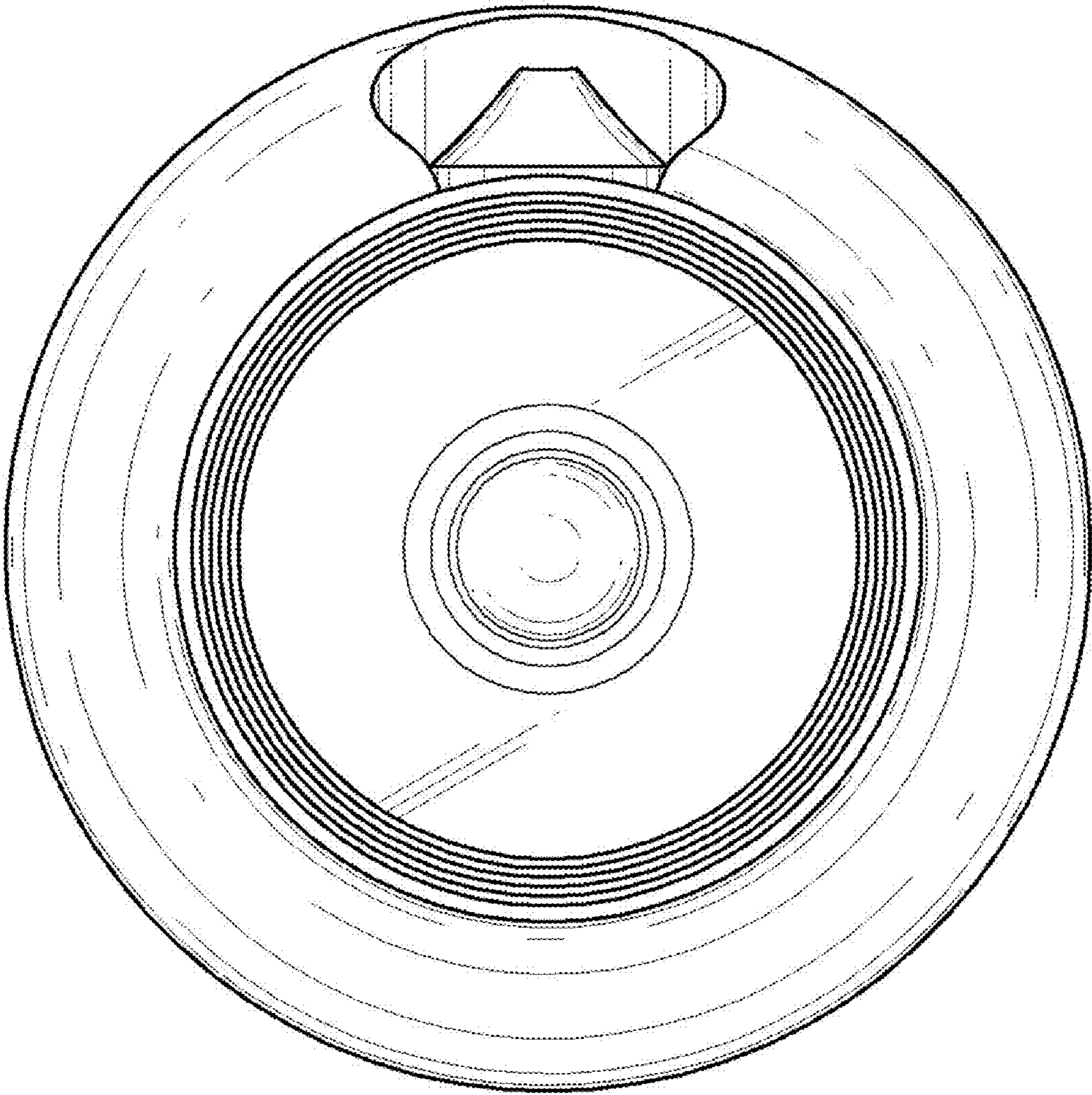


FIG. 3

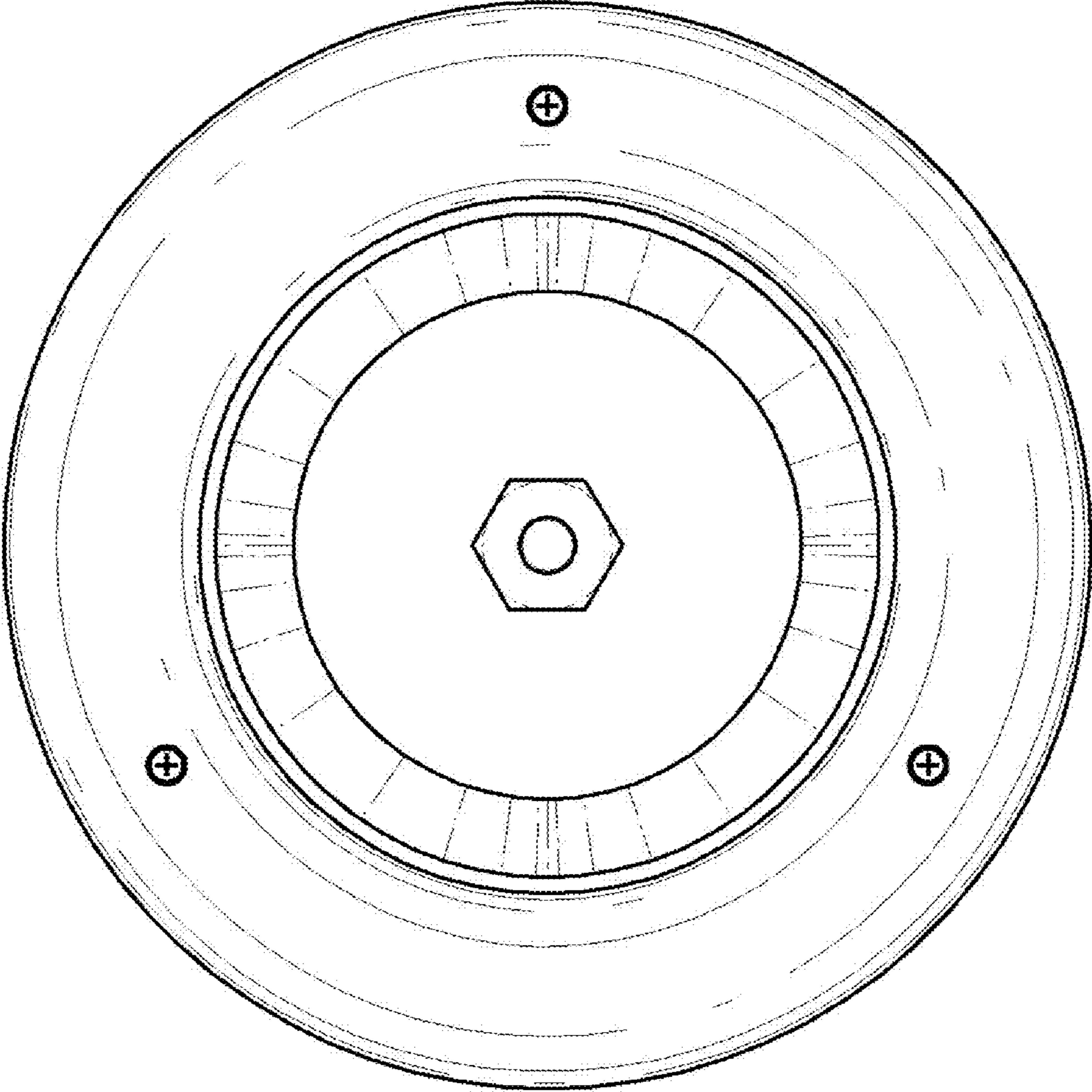


FIG. 4

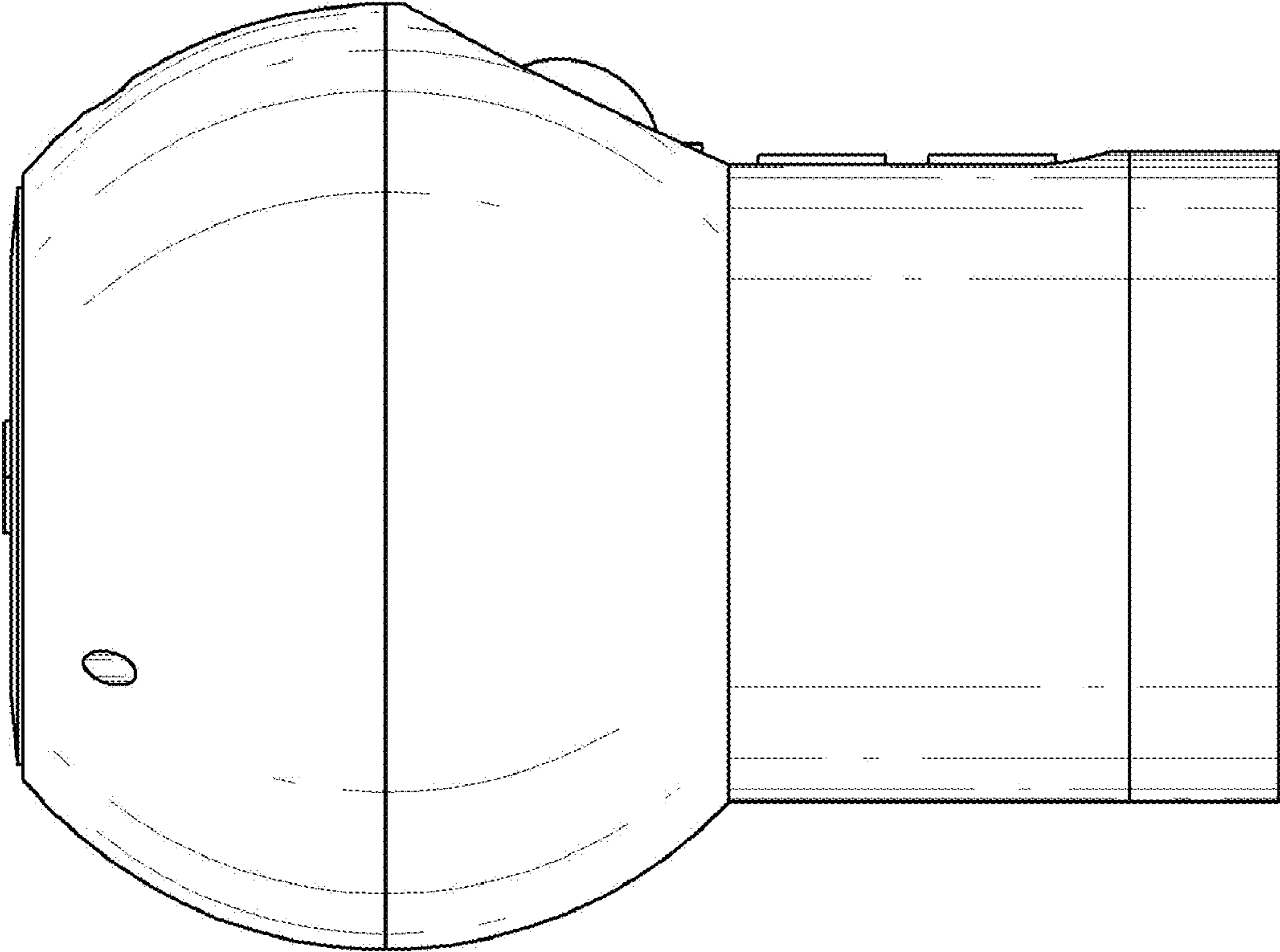


FIG. 5

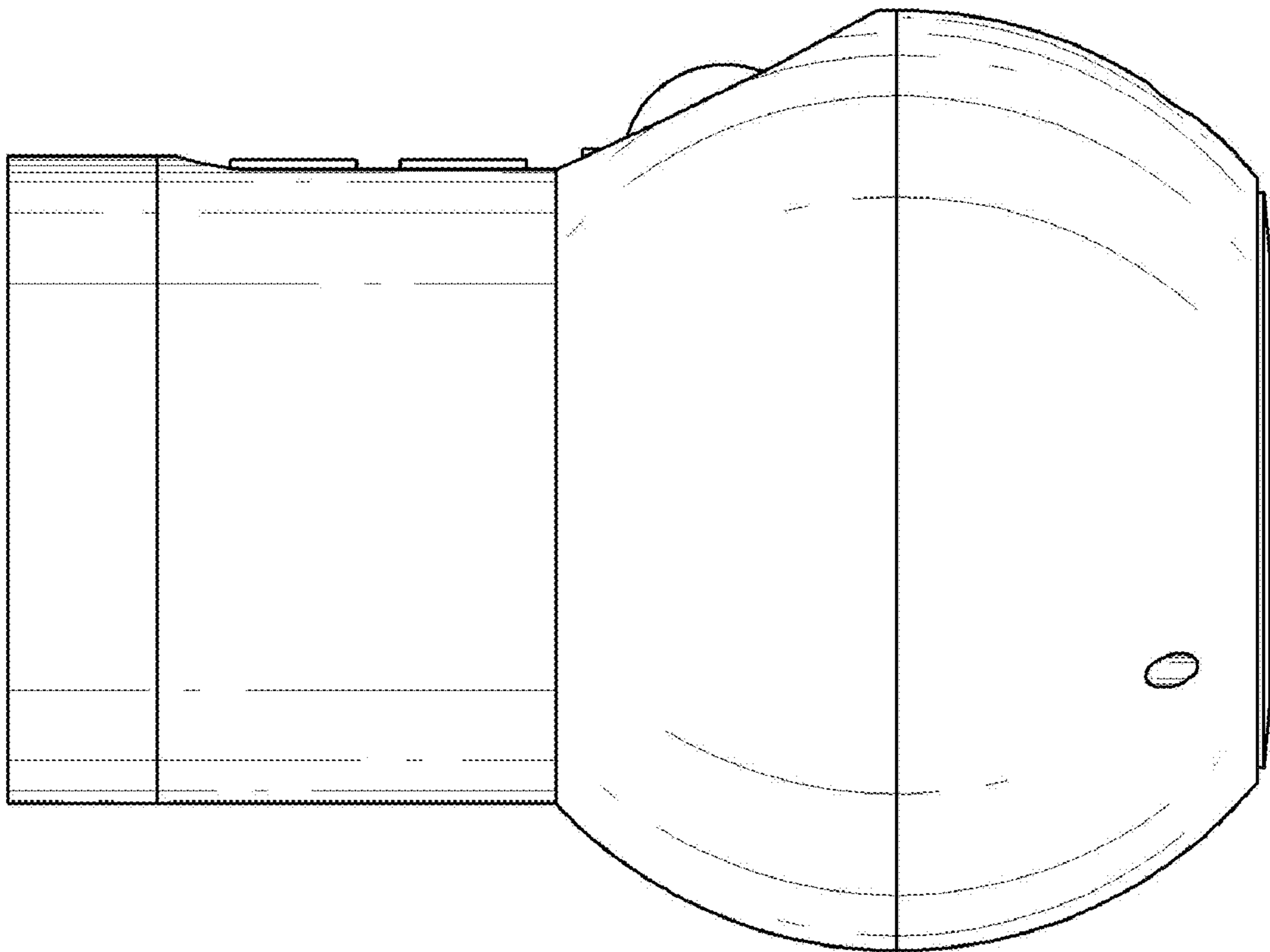


FIG. 6

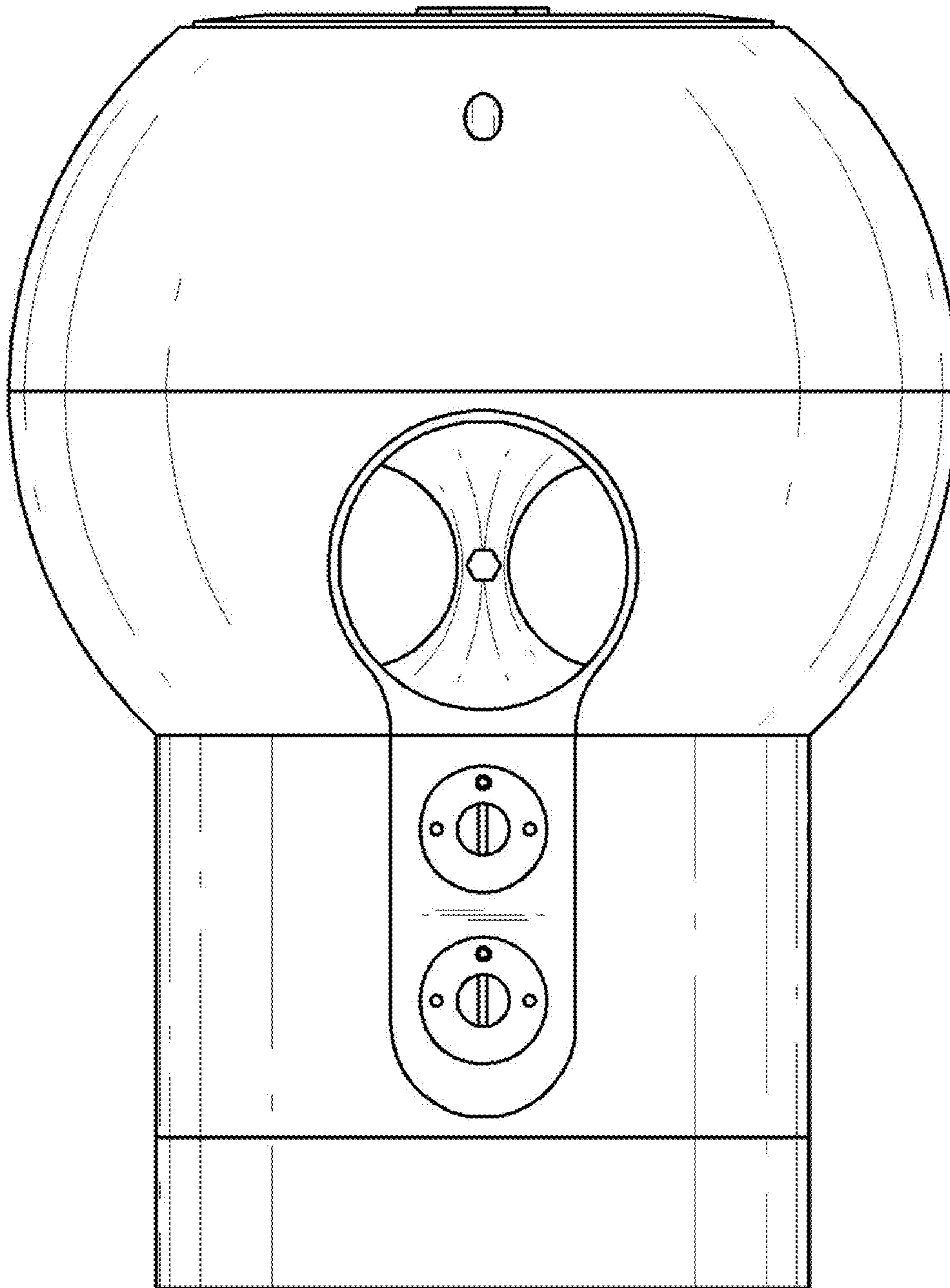


FIG. 7

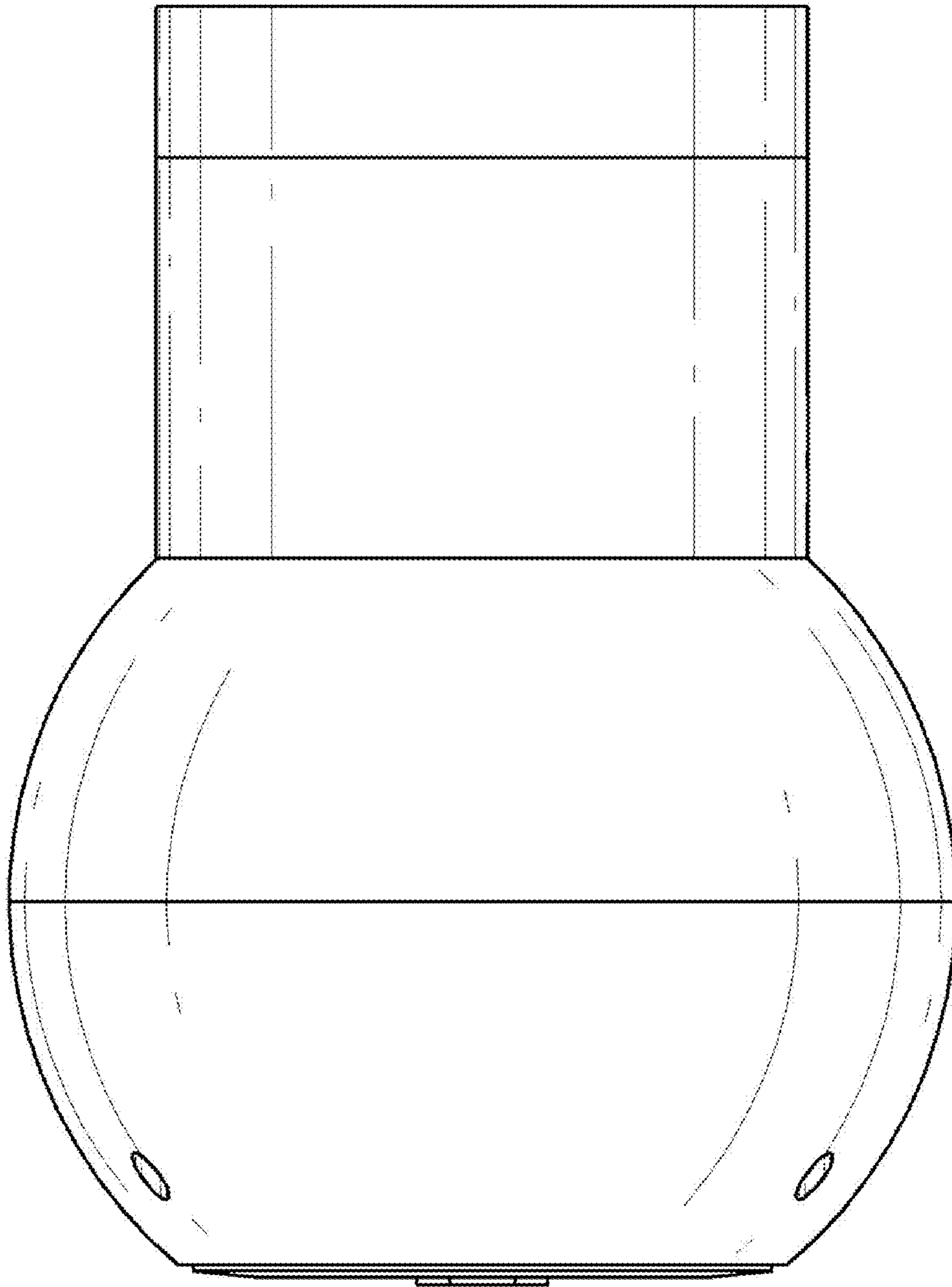


FIG. 8

