



US00D634766S

(12) **United States Design Patent**
Ham

(10) **Patent No.:** **US D634,766 S**

(45) **Date of Patent:** **** Mar. 22, 2011**

(54) **DIGITAL CAMERA**

(75) Inventor: **Min-ki Ham**, Suwon-si (KR)

(73) Assignee: **Samsung Electronics Co., Ltd.**,
Suwon-si (KR)

(**) Term: **14 Years**

(21) Appl. No.: **29/366,441**

(22) Filed: **Jul. 26, 2010**

(30) **Foreign Application Priority Data**

Jan. 26, 2010 (KR) 30-2010-0003266

(51) **LOC (9) Cl.** **16-01**

(52) **U.S. Cl.** **D16/202**

(58) **Field of Classification Search** D16/200–204,
D16/208, 218; 348/373–376; 358/909.1;
396/535–541

See application file for complete search history.

(56) **References Cited**

U.S. PATENT DOCUMENTS

D545,335	S	*	6/2007	Kanno	D16/218
D566,153	S	*	4/2008	Katsuraku	D16/202
D597,116	S	*	7/2009	Watanabe	D16/202
D597,578	S	*	8/2009	Kim et al.	D16/202
D601,603	S	*	10/2009	Jang et al.	D16/202
7,646,426	B2	*	1/2010	Saiki et al.	348/373
D611,517	S	*	3/2010	Yamauchi	D16/202
D627,381	S	*	11/2010	Kwon	D16/202

* cited by examiner

Primary Examiner — Adir Aronovich

(74) *Attorney, Agent, or Firm* — Drinker Biddle & Reath
LLP

(57) **CLAIM**

The ornamental design for a digital camera, as shown and described.

DESCRIPTION

FIG. 1 is a top, front, and right side perspective view of a digital camera showing my new design; FIG. 2 is a front elevational view of the digital camera; FIG. 3 is a rear elevational view the digital camera; FIG. 4 is left side elevational view the digital camera; and, FIG. 5 is right side elevational view the digital camera.

1 Claim, 3 Drawing Sheets

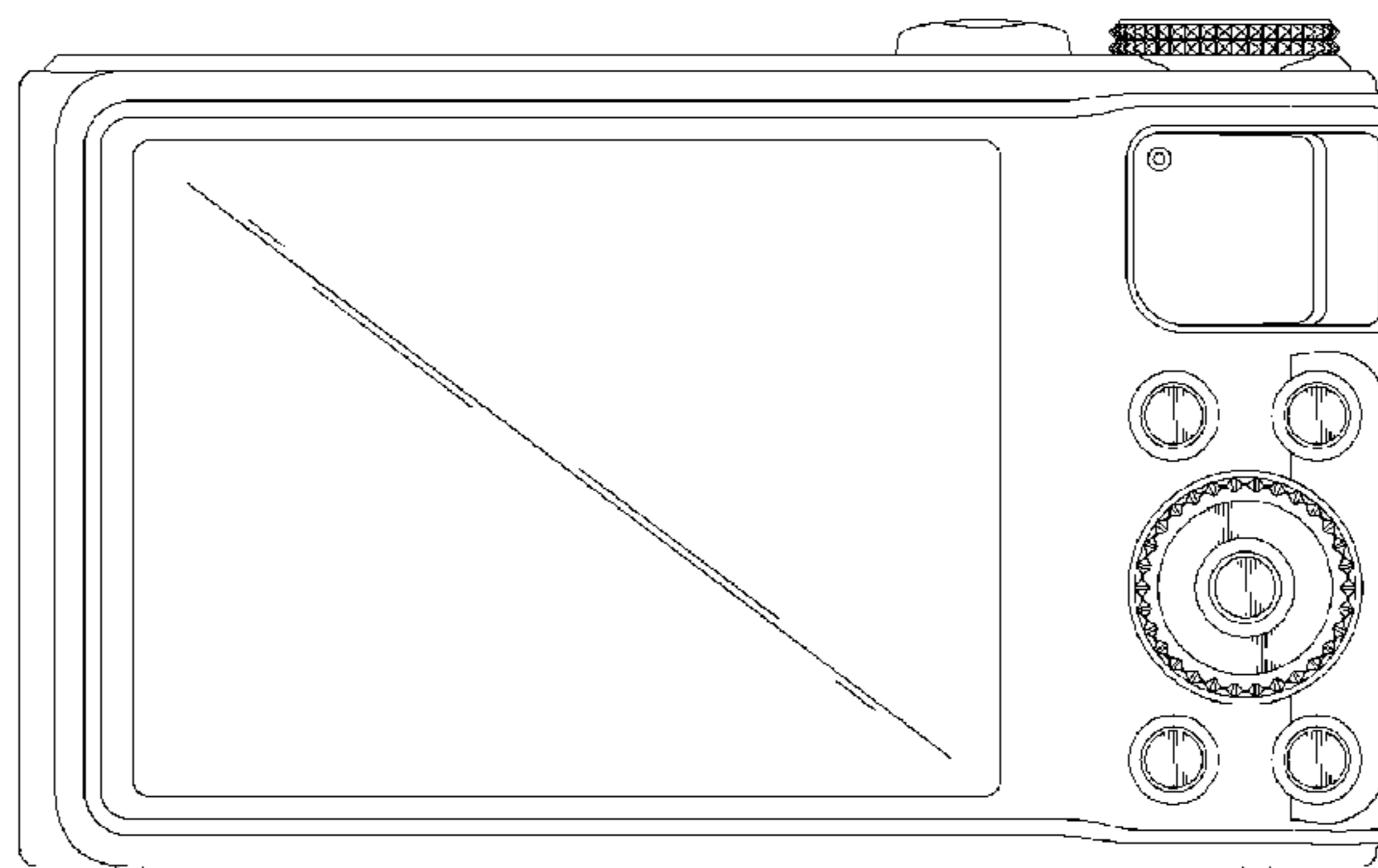
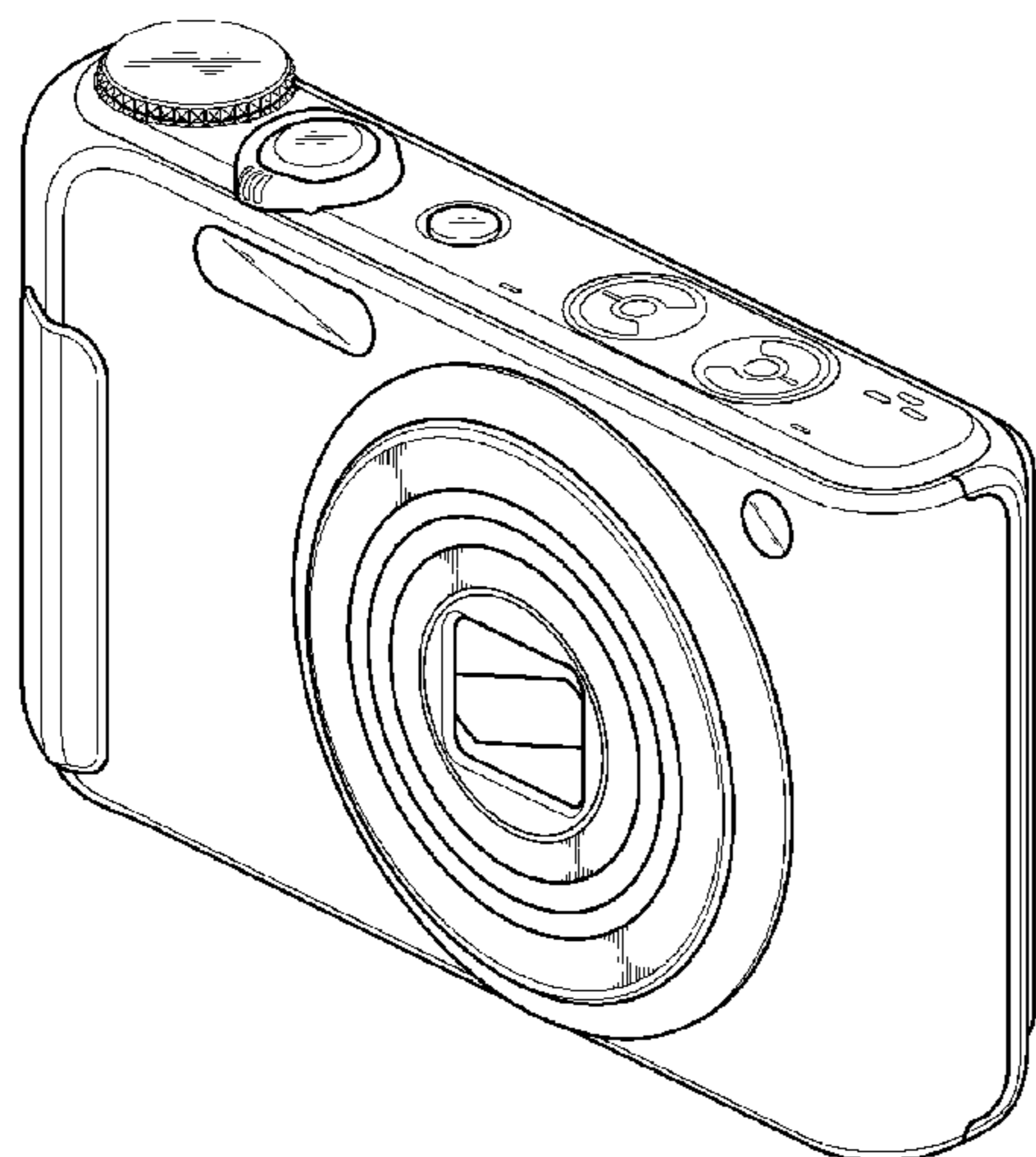


FIG. 1

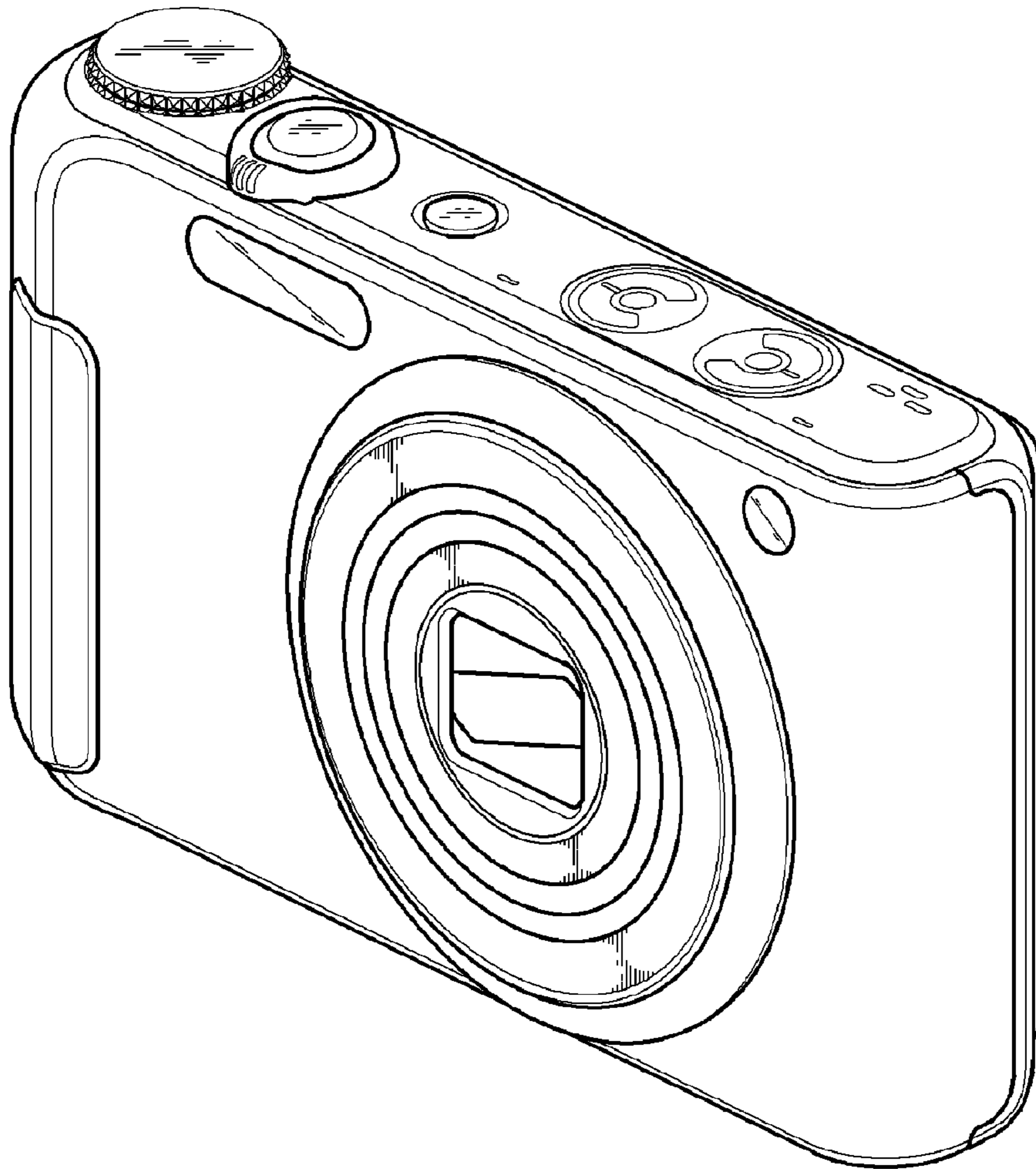


FIG. 2

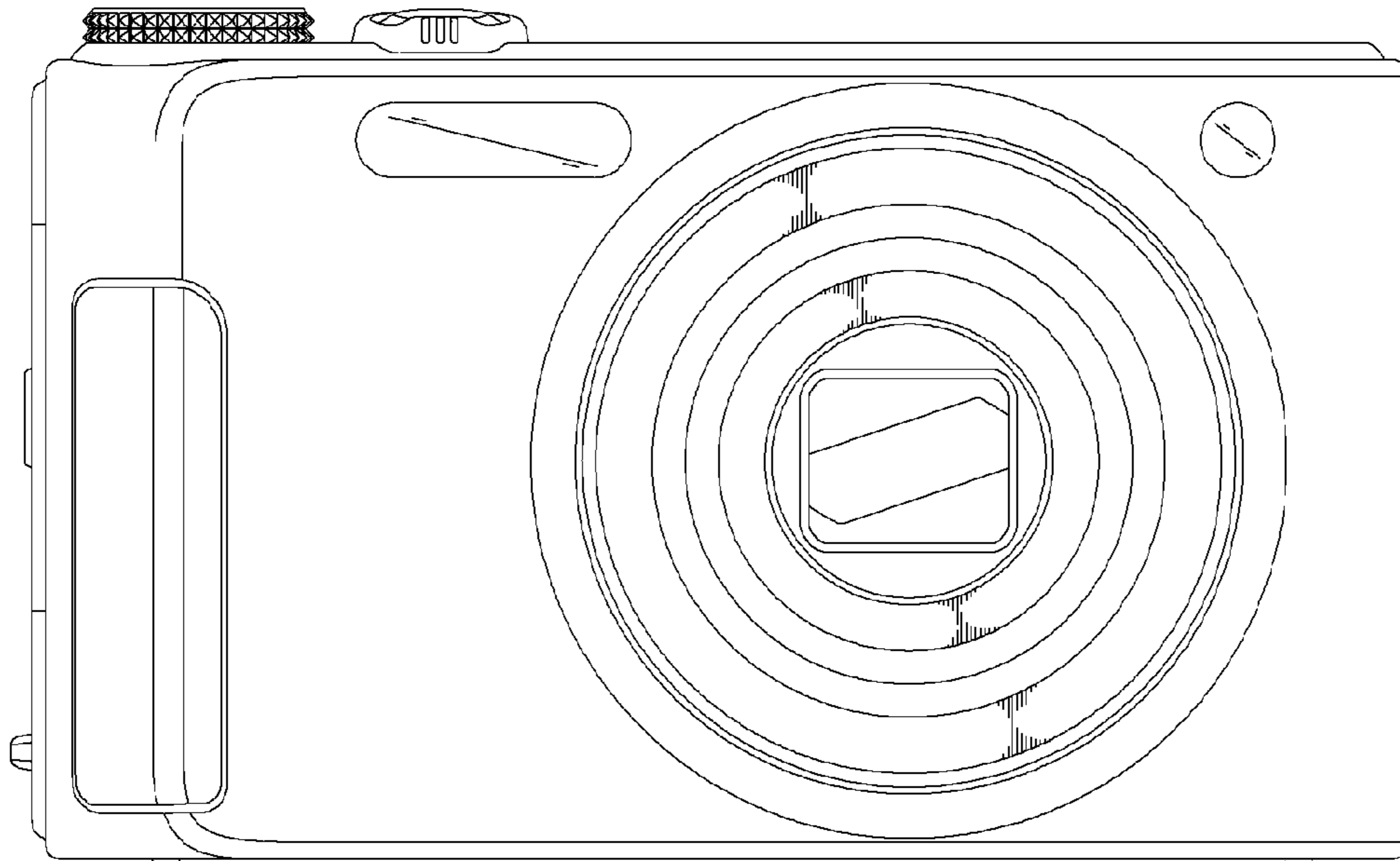


FIG. 3

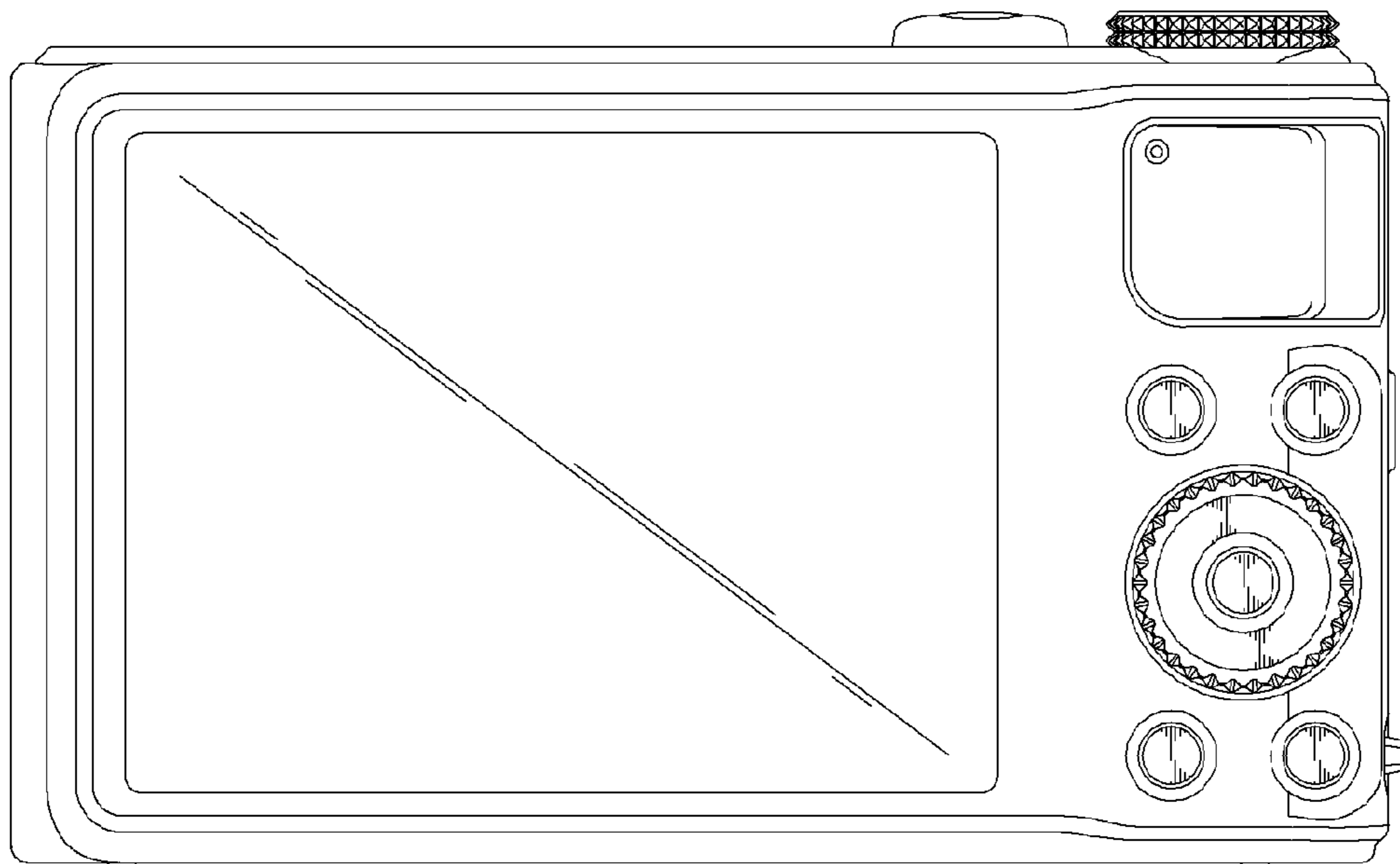


FIG. 4

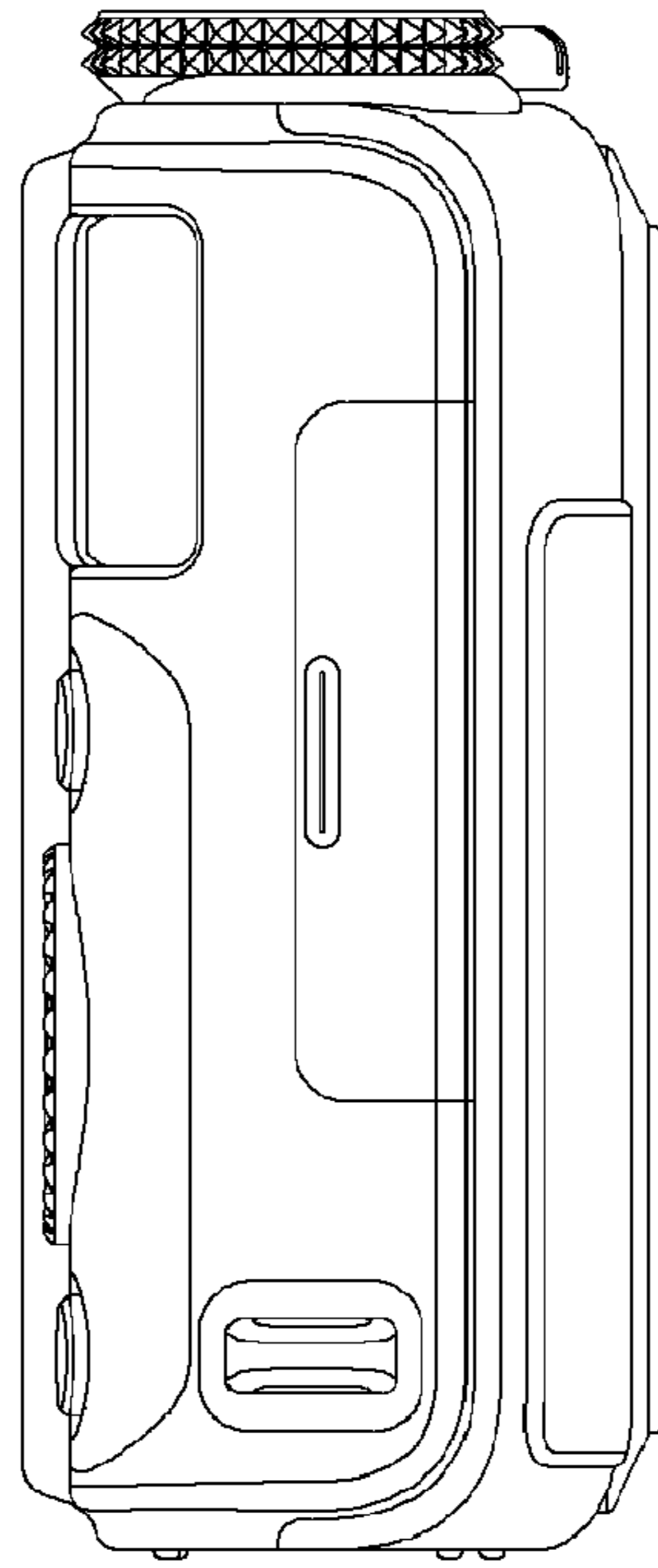


FIG. 5

