



US00D634762S

(12) **United States Design Patent**
Levine

(10) **Patent No.:** **US D634,762 S**
(45) **Date of Patent:** **** Mar. 22, 2011**

(54) **MAGNIFYING DEVICE**

(76) Inventor: **Jonathan E. Levine**, New York, NY
(US)

(**) Term: **14 Years**

(21) Appl. No.: **29/361,510**

(22) Filed: **May 12, 2010**

(51) **LOC (9) Cl.** **16-06**

(52) **U.S. Cl.** **D16/135**

(58) **Field of Classification Search** D16/130,
D16/135, 200, 134; 359/802, 803, 804, 805,
359/810, 811, 812, 817, 818, 819, 822; D6/300,
D6/309, 310; D3/207, 208, 212; D28/64.1,
D28/64.3; D34/6; D10/26, 15, 18; D19/20;
D26/37, 60, 62, 65; D21/333; 206/316.1
See application file for complete search history.

(56) **References Cited**

U.S. PATENT DOCUMENTS

1,720,274	A	*	7/1929	Holden	206/755
D146,364	S	*	2/1947	Kalil	D6/309
D172,723	S		7/1954	Polk		
D196,452	S		10/1963	Burlin et al.		
D229,364	S	*	11/1973	Juhlin	D34/6
D236,028	S	*	7/1975	Schroader	D16/135
4,508,459	A	*	4/1985	Hashimoto et al.	368/276
4,666,036	A	*	5/1987	Bourbon	206/45.23
D383,491	S	*	9/1997	Chang	D19/20
D394,272	S	*	5/1998	Hon	D16/135
D397,478	S		8/1998	Booty, Jr.		
D414,574	S		9/1999	Chen		
5,999,340	A	*	12/1999	Goff et al.	359/804
6,022,119	A		2/2000	Booty, Jr.		
D475,069	S	*	5/2003	Lin	D16/135
D497,216	S		10/2004	Lee		

D517,328	S	*	3/2006	Thrall	D6/300
D526,734	S	*	8/2006	Brown	D26/60
7,218,463	B1		5/2007	Arsenault		
7,414,798	B1		8/2008	Yip et al.		
D589,546	S		3/2009	Levine		
D623,336	S	*	9/2010	Levine	D26/65

* cited by examiner

Primary Examiner — Paula Greene

(74) *Attorney, Agent, or Firm* — Theodore W. Baker

(57) **CLAIM**

I claim the ornamental design for a magnifying device, as shown and described.

DESCRIPTION

FIG. 1 is a perspective view of a magnifying device showing my new design in a first configuration, as viewed from the top and one side.

FIG. 2 is a back elevation view of the magnifying device of FIG. 1 in the first configuration.

FIG. 3 is a top plan view of the magnifying device of FIG. 1 in the first configuration.

FIG. 4 is a side elevation view of the magnifying device of FIG. 1 in the first configuration, the opposite side elevation view being identical.

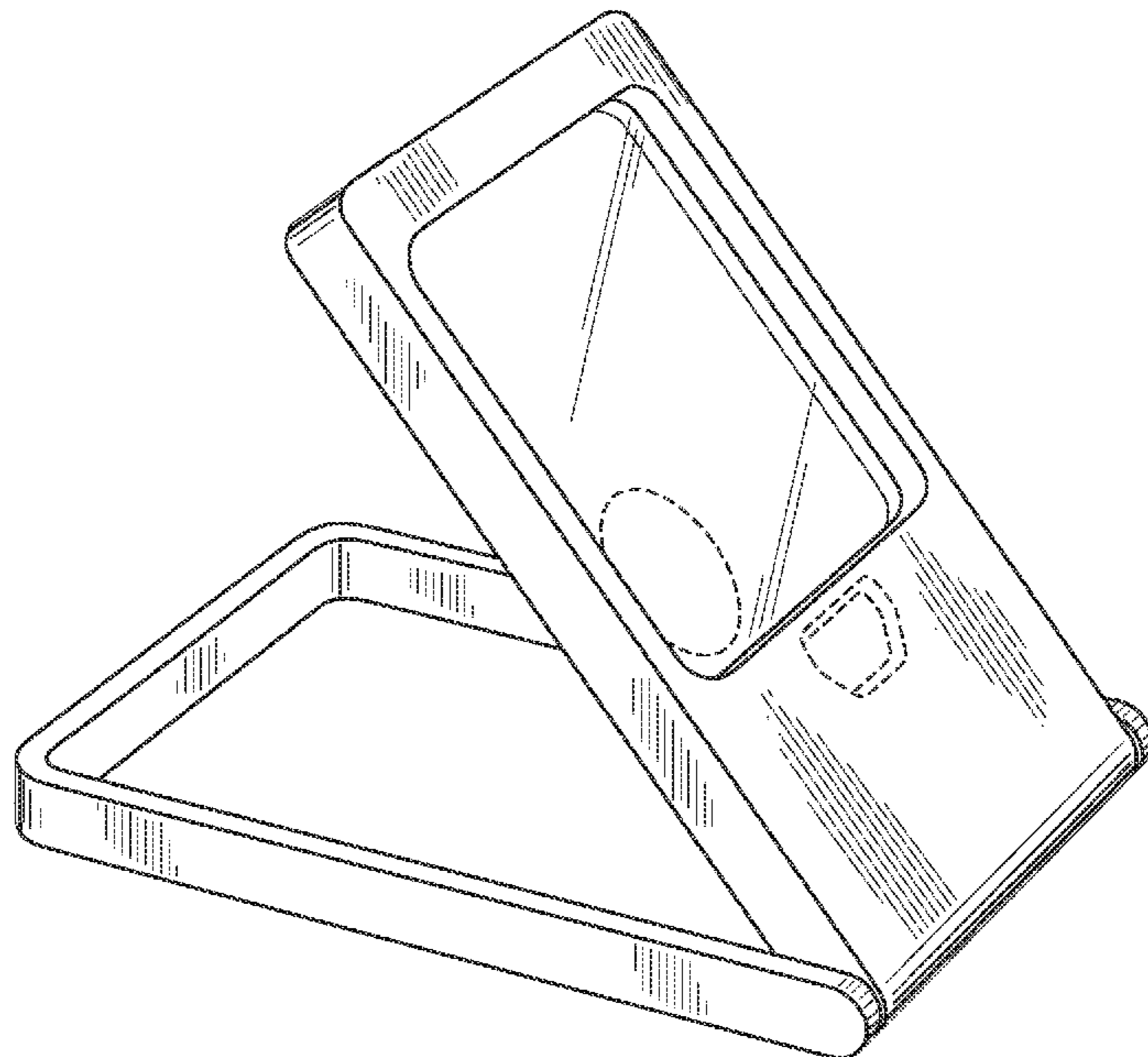
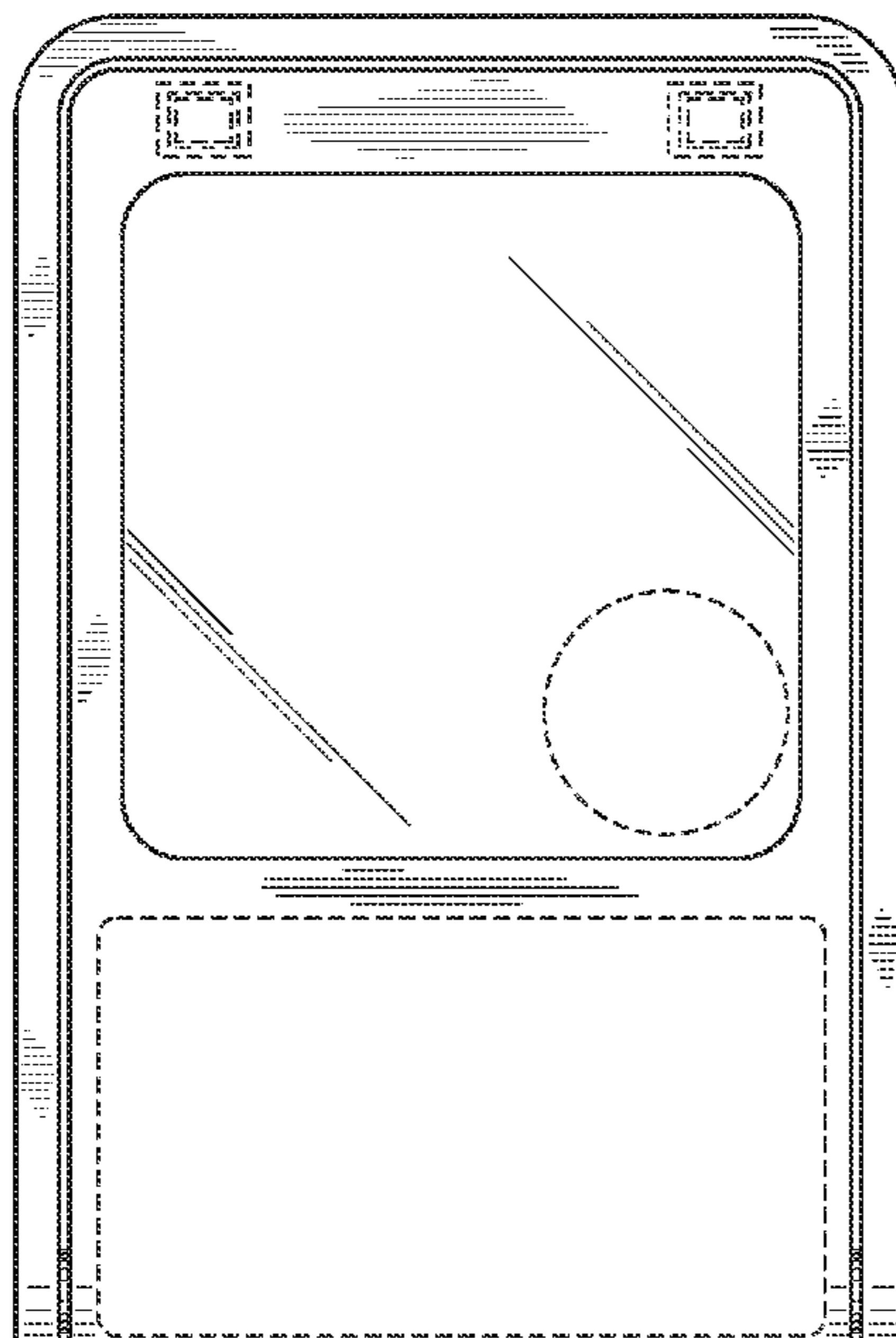
FIG. 5 is a front elevation view of the magnifying device of FIG. 1 in the first configuration.

FIG. 6 is a bottom plan view of the magnifying device of FIG. 1 in the first configuration; and,

FIG. 7 is a perspective view of the magnifying device of FIG. 1 in a second configuration, as viewed from the top and one side.

The details shown in broken lines illustrate portions of the magnifying device that form no part of the claimed design.

1 Claim, 3 Drawing Sheets



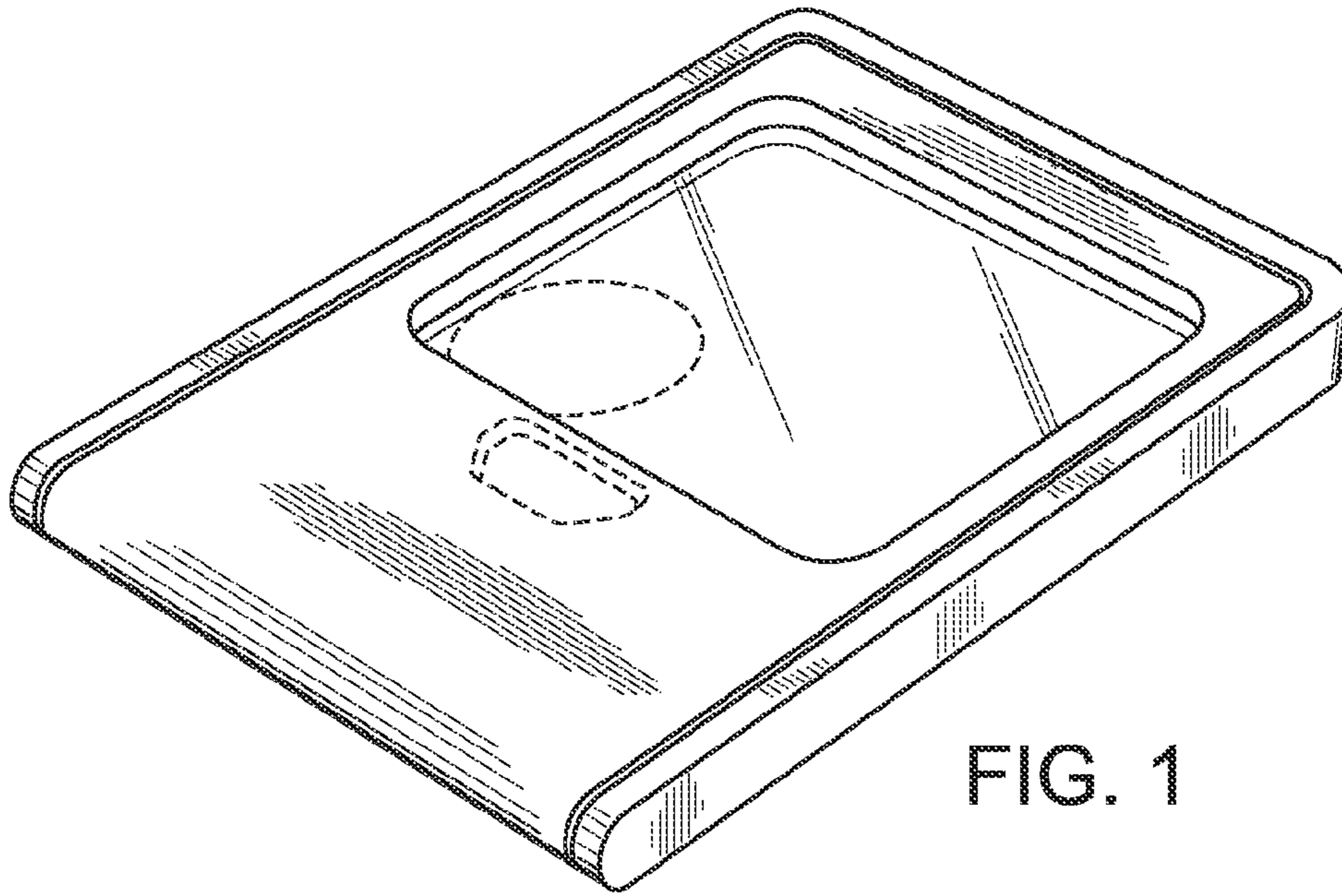


FIG. 1

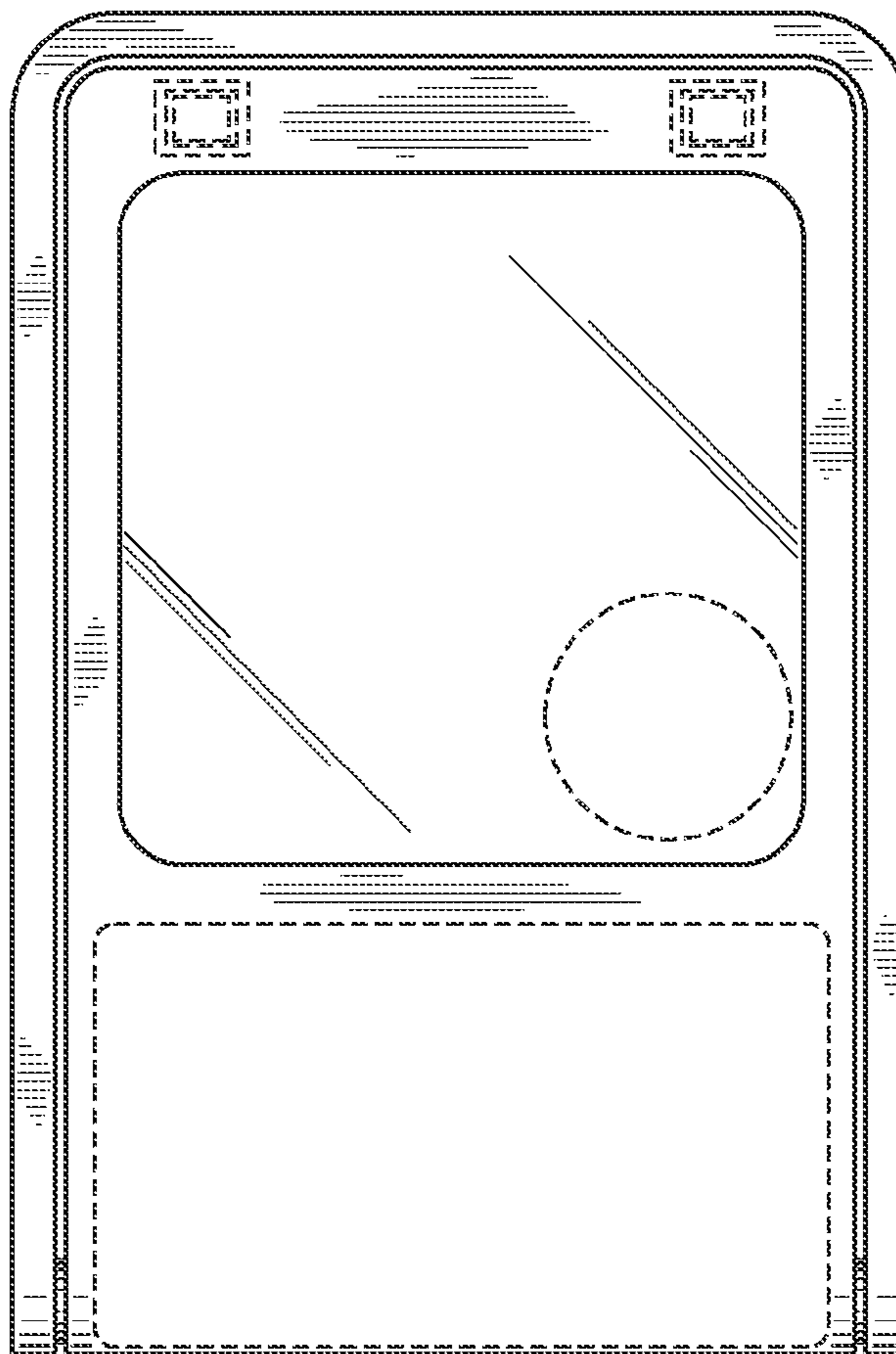


FIG. 2



FIG. 3

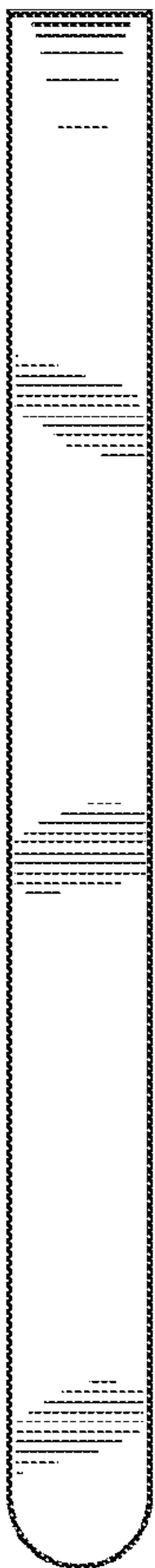


FIG. 4

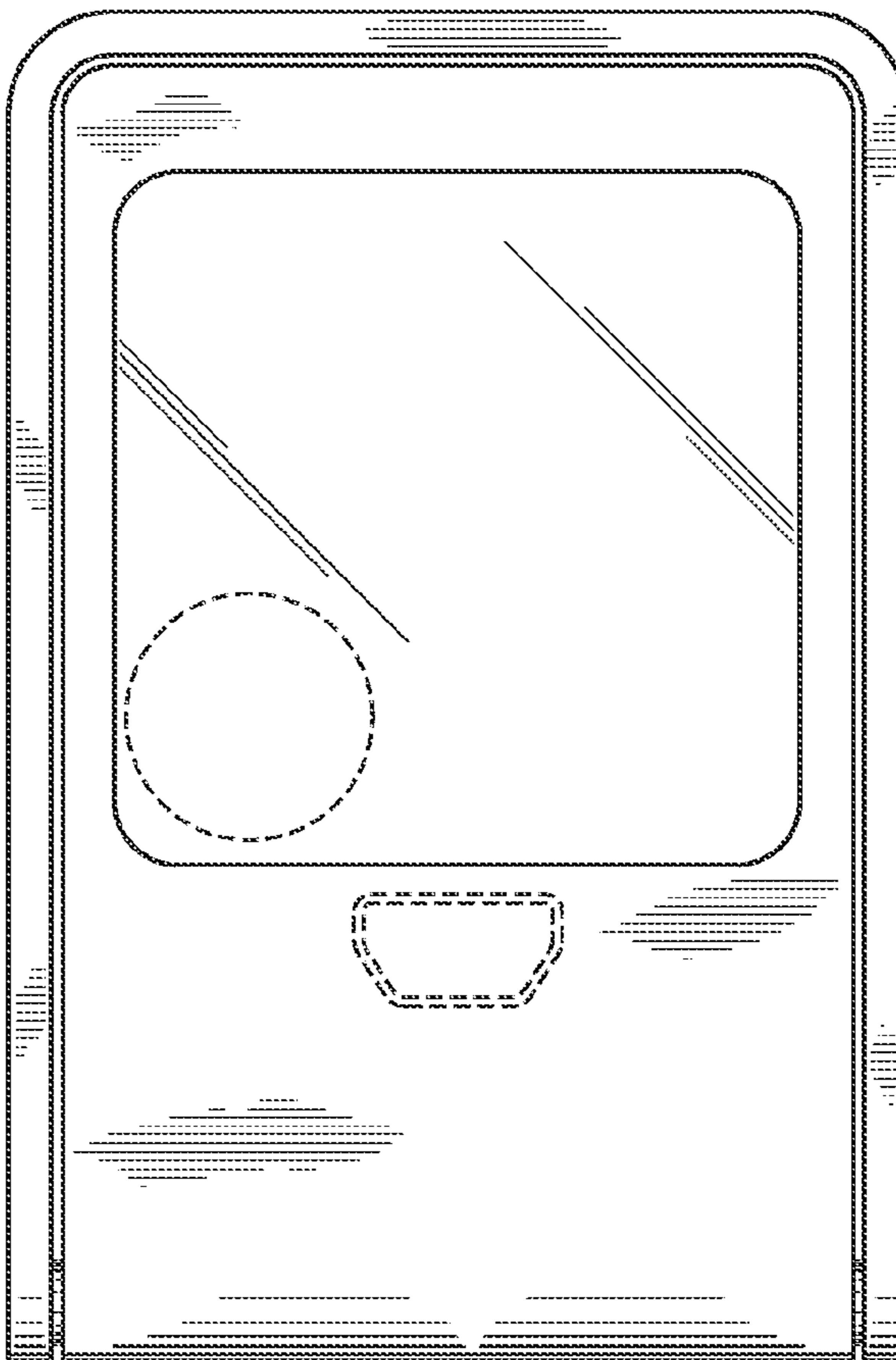


FIG. 5

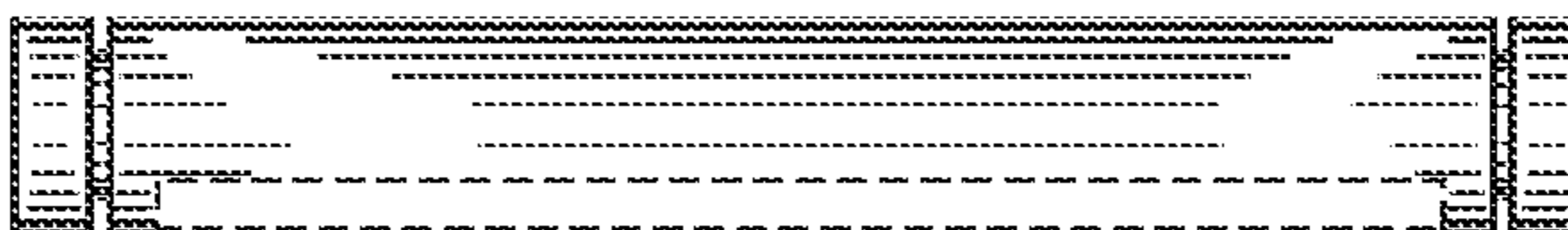


FIG. 6

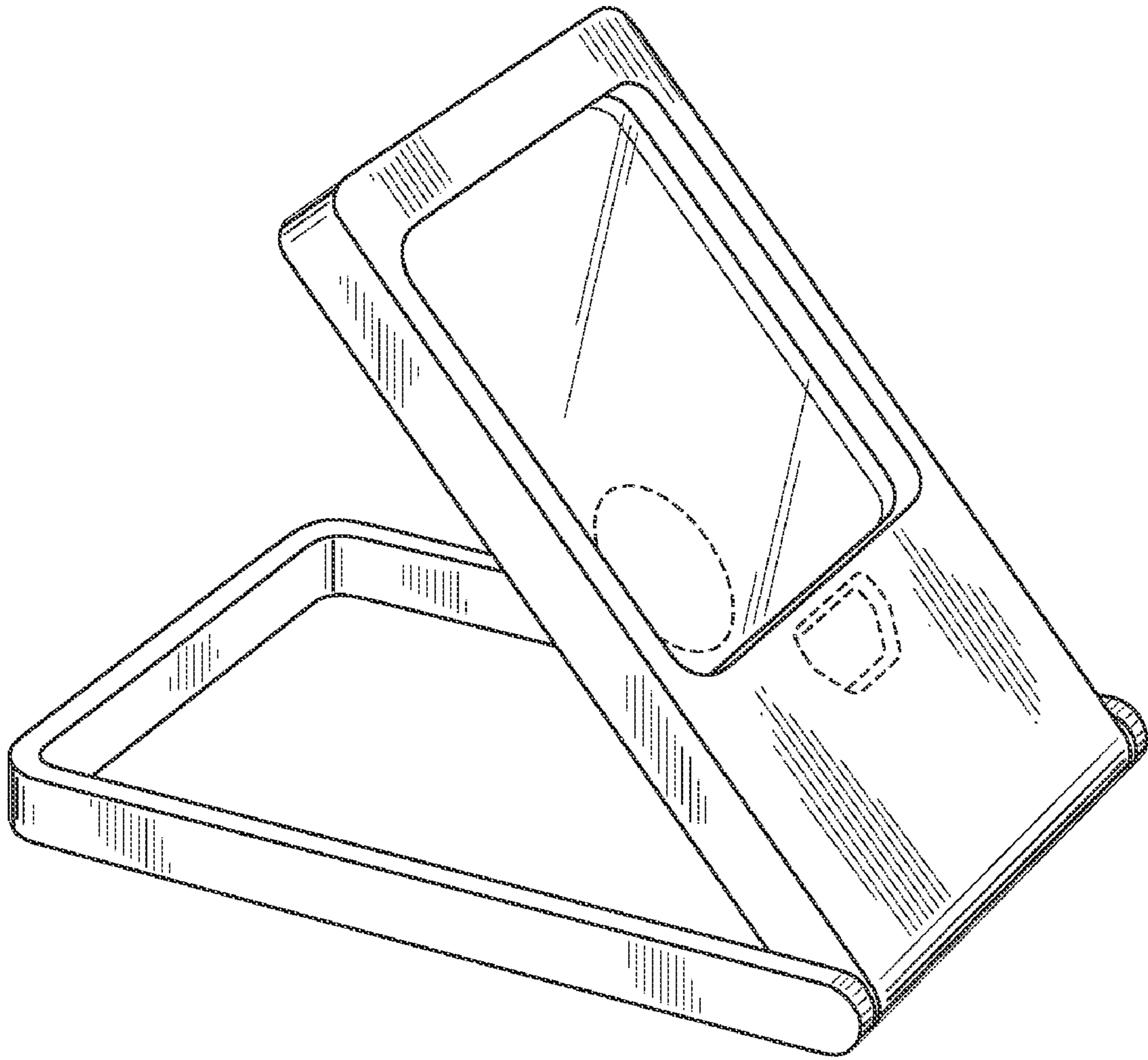


FIG. 7