



US00D634759S

(12) **United States Design Patent**
Farrow

(10) **Patent No.:** **US D634,759 S**
(45) **Date of Patent:** **** Mar. 22, 2011**

(54) **TRAILER MOUNTED WET ABRASIVE SYSTEM**

(75) Inventor: **Nigel Farrow**, West Chester, PA (US)

(73) Assignee: **Farrow Holdings Group, Inc.**, Philadelphia, PA (US)

(**) Term: **14 Years**

(21) Appl. No.: **29/359,766**

(22) Filed: **Apr. 15, 2010**

(30) **Foreign Application Priority Data**

Feb. 22, 2010 (GB) 4014583

(51) **LOC (9) Cl.** **15-03**

(52) **U.S. Cl.** **D15/27**

(58) **Field of Classification Search** D15/10,
D15/27, 12, 13, 21; 239/668, 656, 655, 675,
239/676, 654, 662, 672, 673; 366/177, 186,
366/20, 168, 181; 222/145, 135; 172/311,
172/776

See application file for complete search history.

(56) **References Cited**

U.S. PATENT DOCUMENTS

D251,087 S *	2/1979	Smith	D15/7
D257,149 S *	9/1980	Jacobson	D15/27
D267,800 S *	2/1983	Tate	D15/13
D273,385 S *	4/1984	Pakosh	D15/27
D283,226 S *	4/1986	Hornhardt et al.	D15/27
D294,583 S *	3/1988	Blumer et al.	D15/27
5,299,856 A *	4/1994	Grosz	298/11
5,333,799 A *	8/1994	Posthumus	241/27
D354,290 S *	1/1995	Houle	D15/27

D366,266 S *	1/1996	Blair et al.	D15/27
D369,812 S *	5/1996	Miller	D15/27
D381,666 S *	7/1997	Del Zotto	D15/27
D428,021 S *	7/2000	Bentley	D15/13
D450,063 S *	11/2001	Bentley	D15/13
D469,784 S *	2/2003	Bentley	D15/13
D629,018 S *	12/2010	Loxton	D15/27

OTHER PUBLICATIONS

The Farrow System, Specification Categories, Catalog, MMD Far-row185, Apr. 2006, one sheet.

The Farrow System, Farrow System 185, Mobile Cleaning Unit/Specification, Article, Aug. 2009, two sheets.

The Farrow System, Patented Method for Removal of Surface Coatings, Article, Nov. 2004, one sheet.

* cited by examiner

Primary Examiner — Mark A Goodwin

(74) *Attorney, Agent, or Firm* — Caesar, Rivise, Bernstein, Cohen & Pokotilow, Ltd.

(57) **CLAIM**

The ornamental design for the trailer mounted wet abrasive system, as shown and described.

DESCRIPTION

FIG. 1 is a front isometric view of the trailer mounted wet abrasive system showing my new design;

FIG. 2 is a rear isometric view thereof;

FIG. 3 is a right side elevation view thereof;

FIG. 4 is a left side elevation view thereof;

FIG. 5 is a front elevation view thereof;

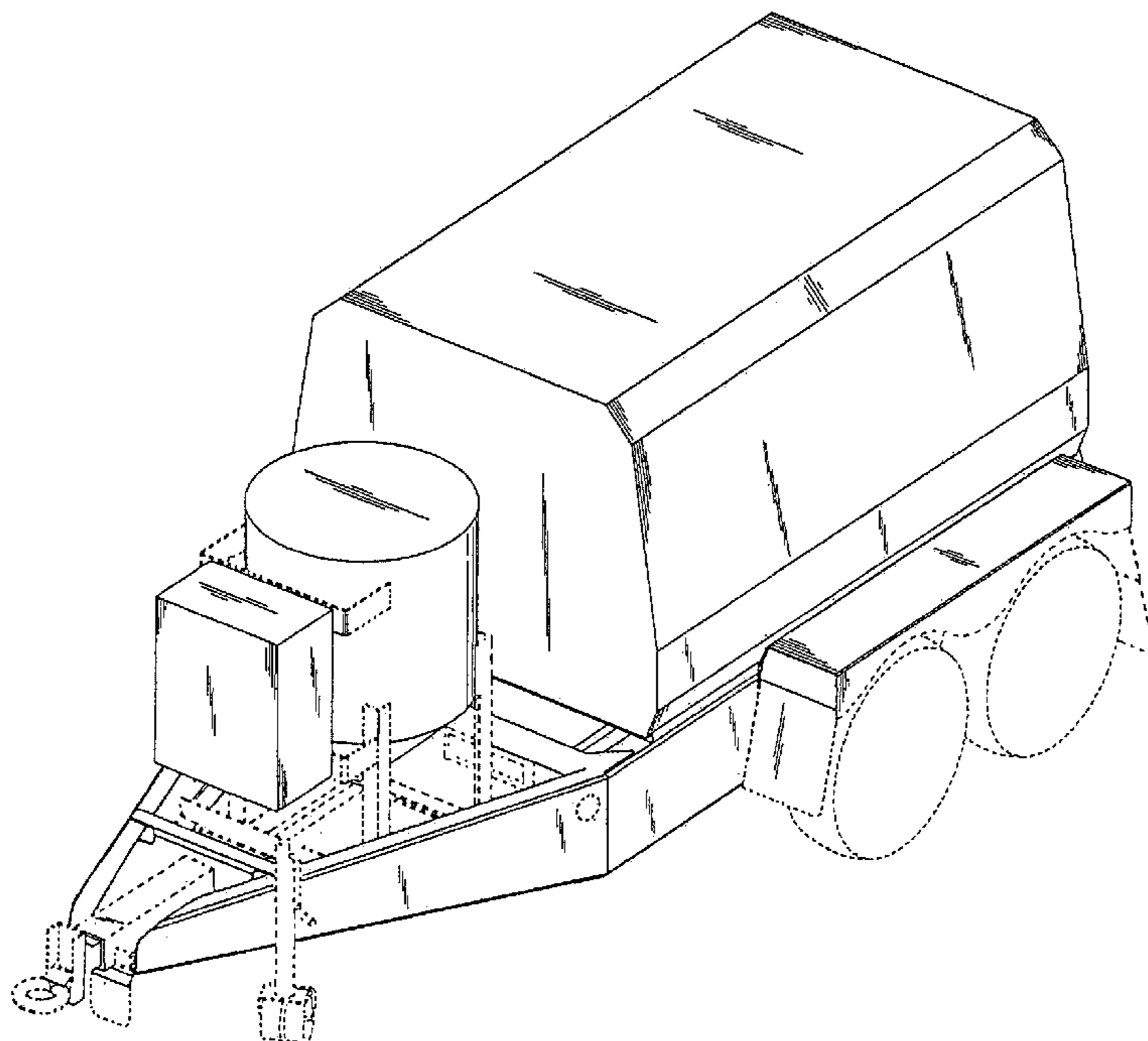
FIG. 6 is a rear elevation view thereof; and,

FIG. 7 is a top plan view thereof.

The bottom view forms no part of the claimed design.

The dashed lines shown in the figures represent environmental subject matter and form no part of the claimed design.

1 Claim, 7 Drawing Sheets



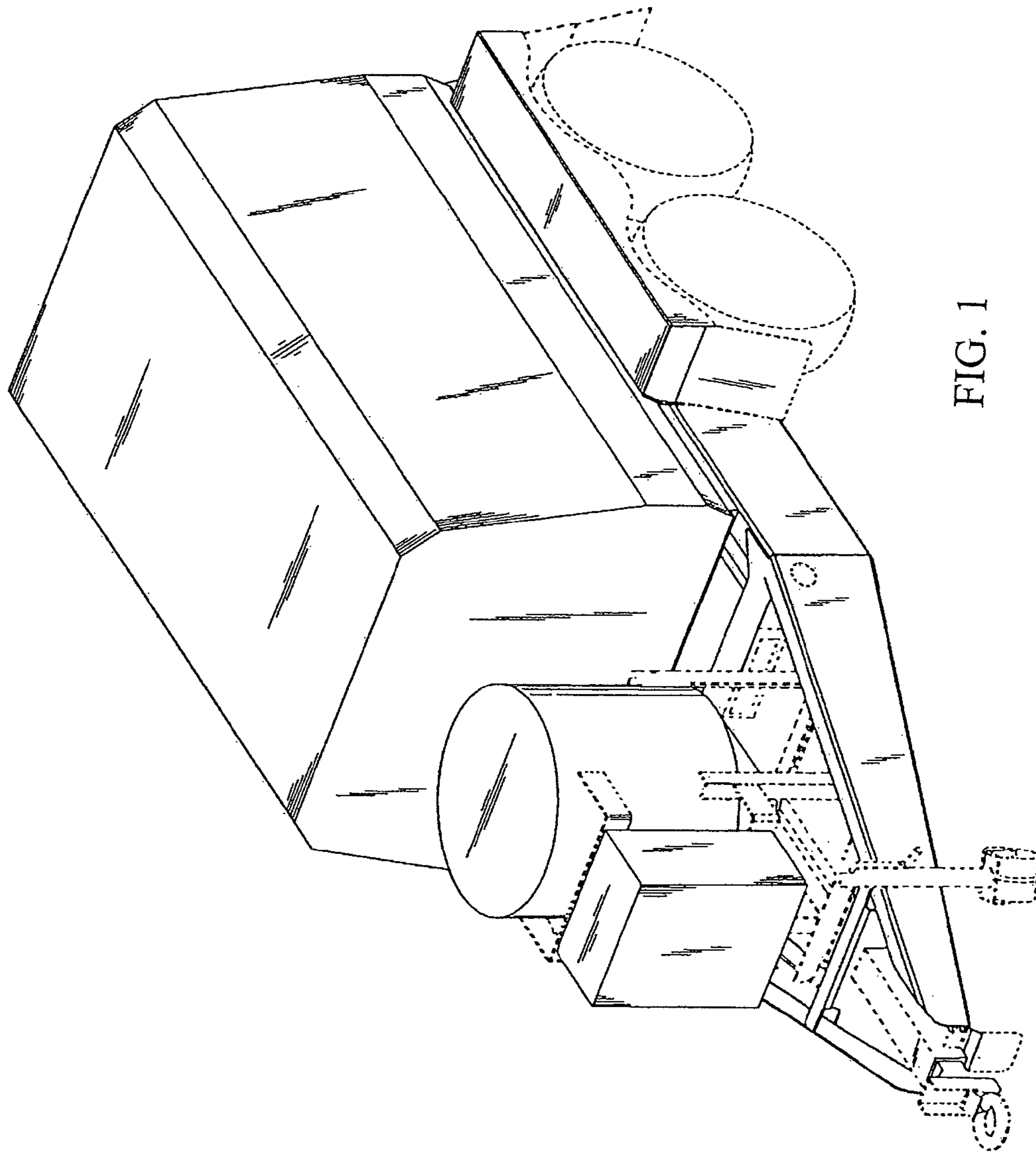


FIG. 1

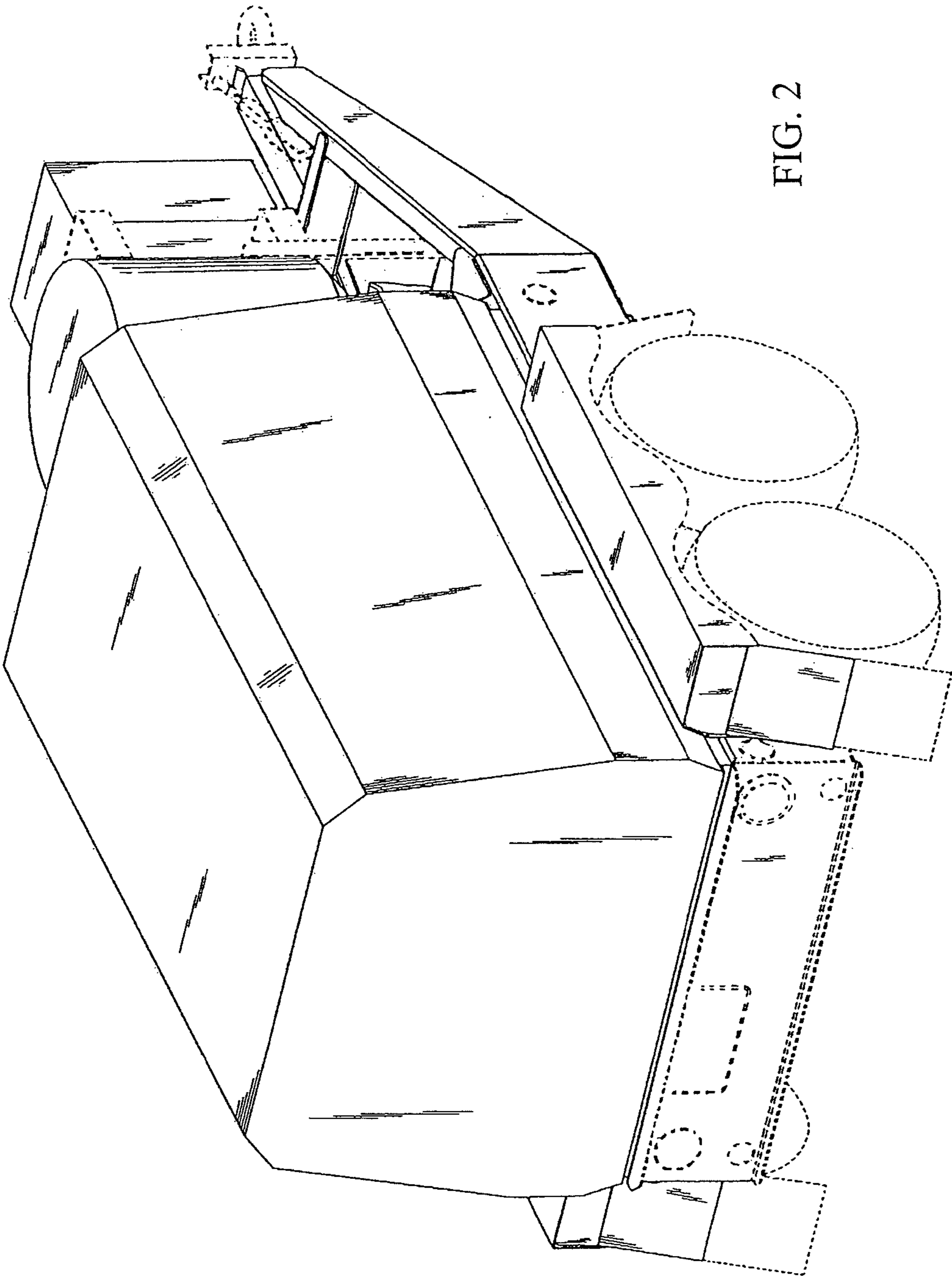


FIG. 2

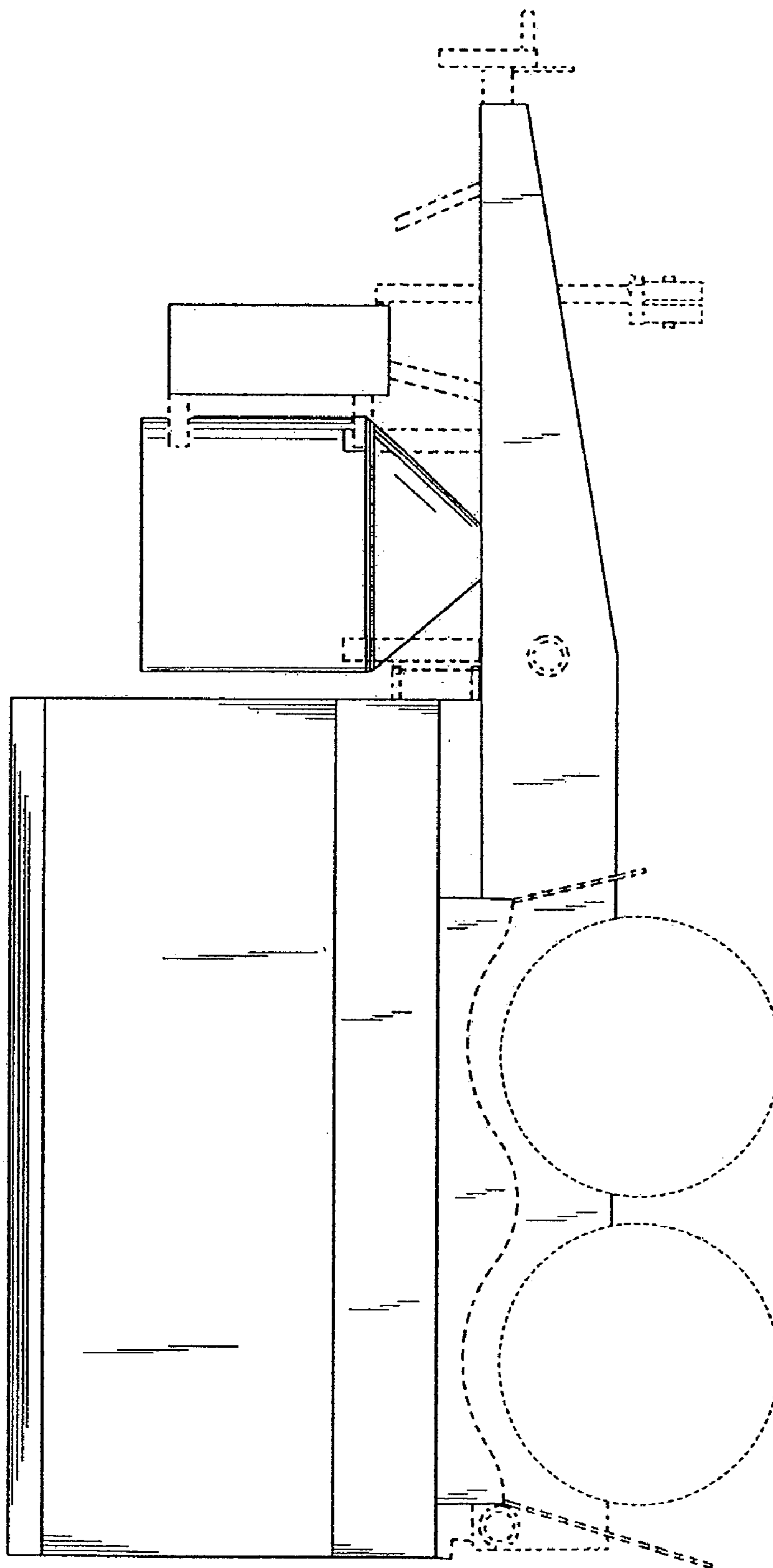


FIG. 3

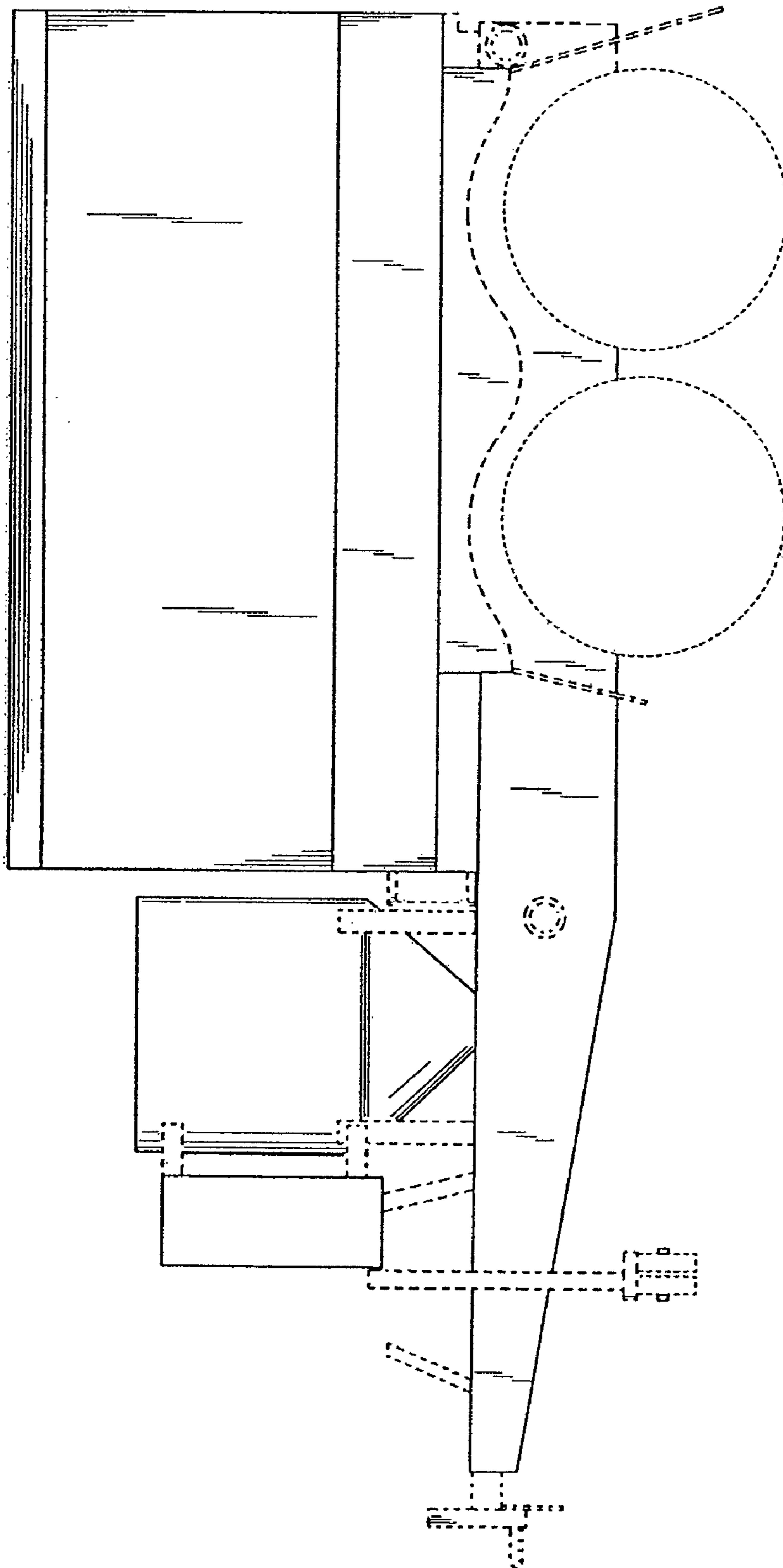


FIG. 4

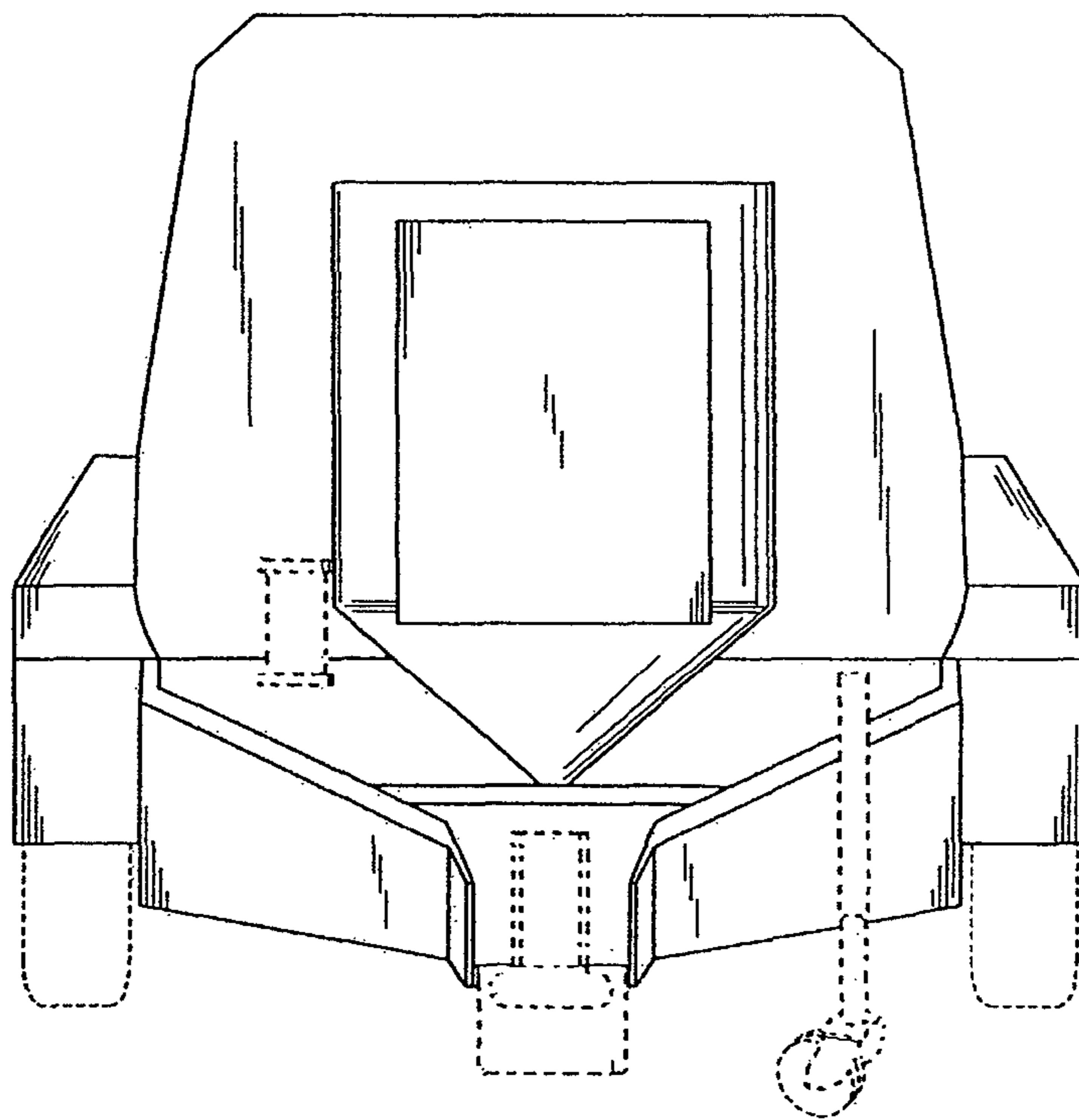


FIG. 5

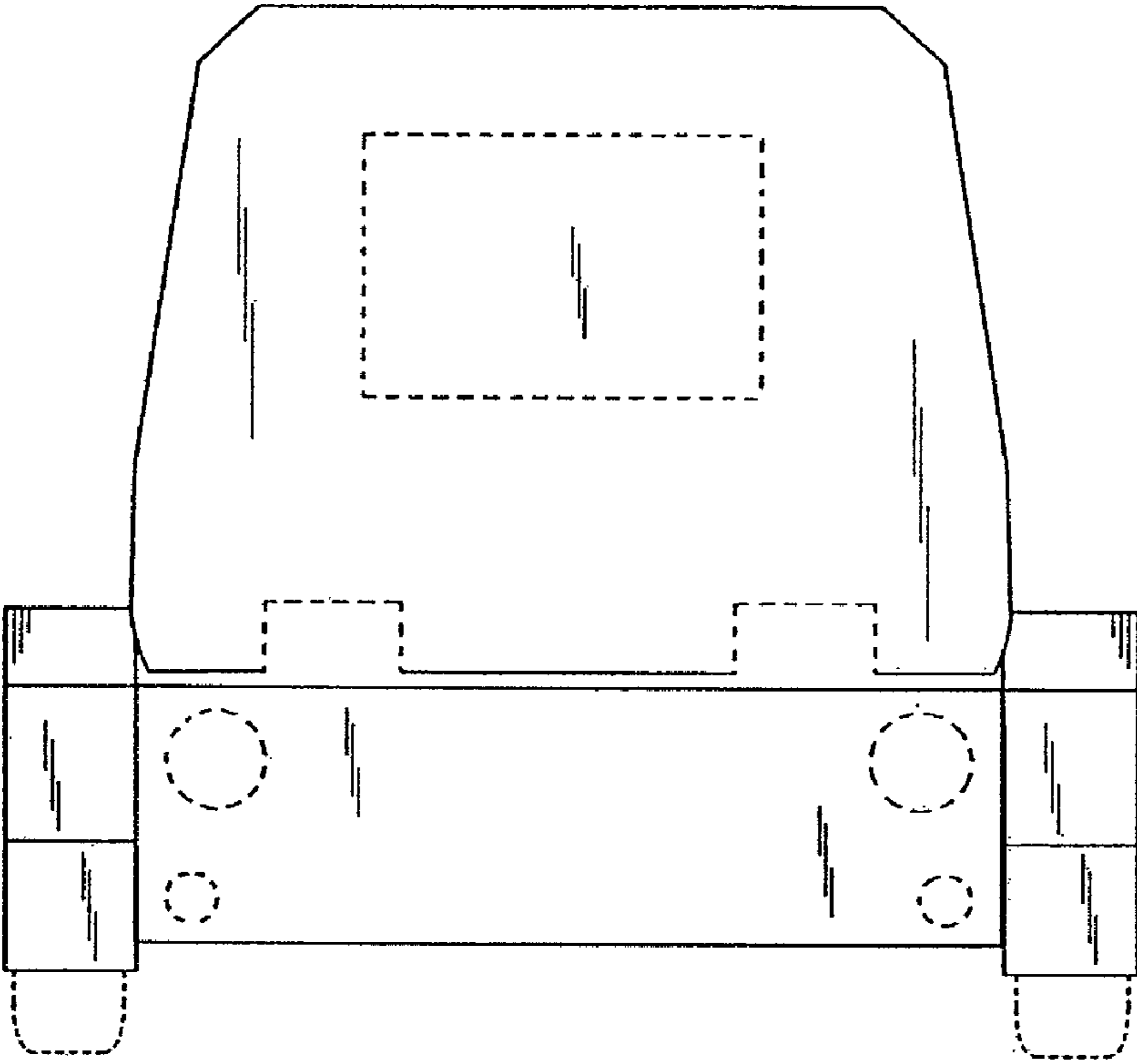


FIG. 6

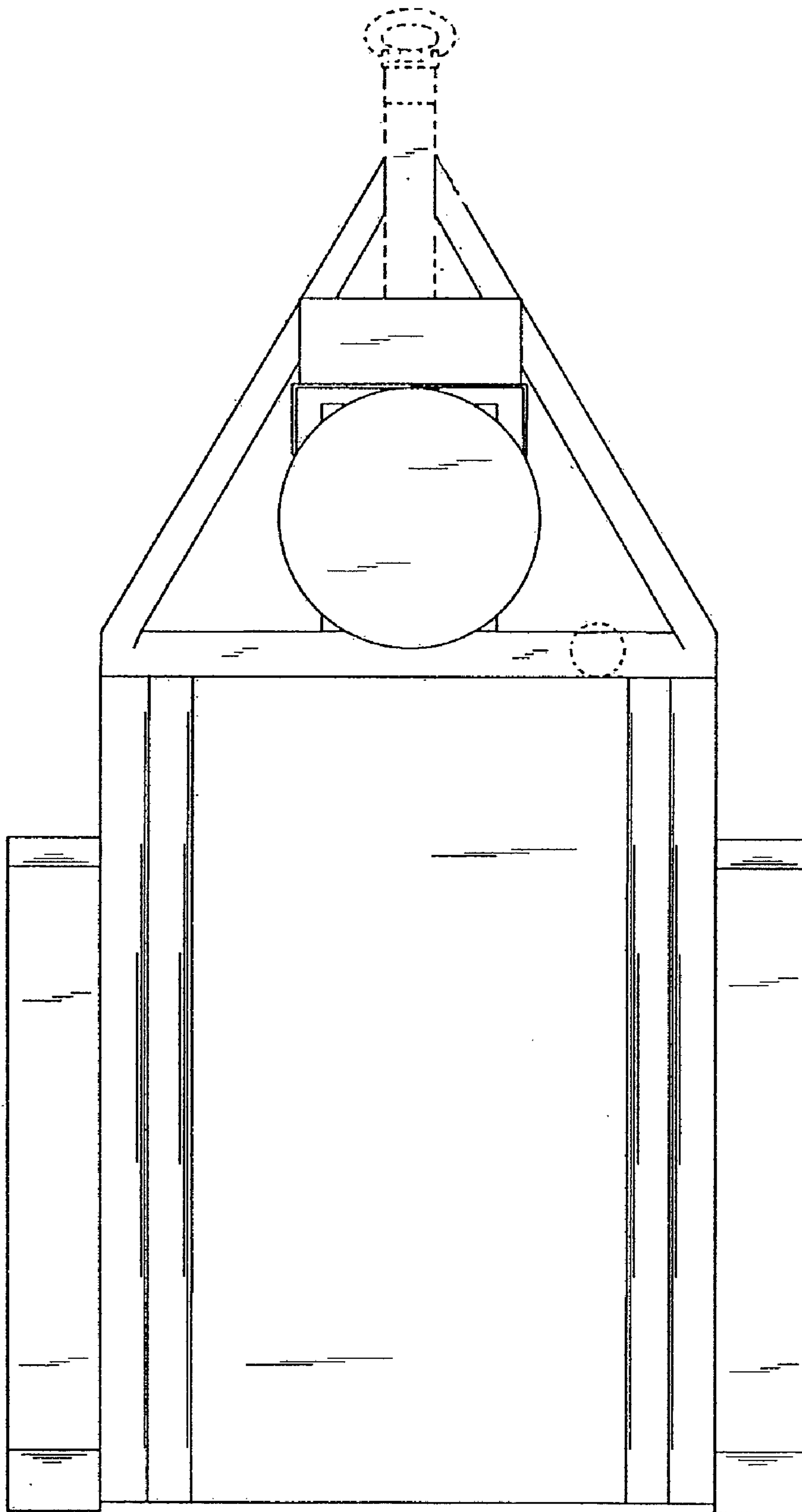


FIG. 7