

US00D634755S

(12) **United States Design Patent**
Sanders et al.

(10) **Patent No.:** **US D634,755 S**
(45) **Date of Patent:** **** Mar. 22, 2011**

(54) **HAND-ACTUATED PUMP**

(75) Inventors: **Anthony Jonathan Sanders**, Durham (GB); **Tim Austen**, Glencoe, IL (US); **Brian Coleman**, Hawthorne Woods, IL (US)

(73) Assignee: **Aero Products International, Inc.**, Schaumburg, IL (US)

(**) Term: **14 Years**

(21) Appl. No.: **29/343,808**

(22) Filed: **Sep. 18, 2009**

(51) **LOC (9) Cl.** **15-02**

(52) **U.S. Cl.** **D15/7**

(58) **Field of Classification Search** D15/7-9;
D23/231, 232, 225, 213; 417/410.1, 359,
417/415-416, 234, 321, 265, 405, 429
See application file for complete search history.

(56) **References Cited**

U.S. PATENT DOCUMENTS

1,412,279	A	4/1922	Eslinger	
1,491,388	A	4/1924	Foster	
2,573,375	A	10/1951	Winstead	
2,741,360	A	4/1956	Harrowe	
2,908,109	A	10/1959	Rotwein	
D342,263	S *	12/1993	Harrell, Jr.	D15/7
5,291,625	A	3/1994	Leslie	
D358,397	S *	5/1995	Phillips et al.	D15/7
D375,315	S *	11/1996	Paul-Johansson	D15/7
5,941,272	A	8/1999	Feldman	
5,983,920	A	11/1999	Gapinski et al.	
6,209,160	B1	4/2001	Harris	
6,230,501	B1	5/2001	Bailey	
D446,284	S	8/2001	Chaffee	
D510,939	S *	10/2005	Nikolayev et al.	D15/9
D520,521	S *	5/2006	Angeletta	D15/7
D558,795	S *	1/2008	Saunders et al.	D15/7

D559,866	S *	1/2008	Saunders et al.	D15/7
D584,320	S *	1/2009	Huang	D15/7
D589,984	S *	4/2009	Roesler	D15/7
D611,961	S *	3/2010	Boussu et al.	D15/7
D623,664	S *	9/2010	Fulkerson et al.	D15/7

FOREIGN PATENT DOCUMENTS

GB 1 206 507 9/1970

OTHER PUBLICATIONS

International Search Report and Written Opinion for corresponding Application No. PCT/US2009/057626, dated Feb. 9, 2010.

* cited by examiner

Primary Examiner — Ralf Seifert

(74) *Attorney, Agent, or Firm* — Brinks Hofer Gilson & Lione

(57) **CLAIM**

We claim the ornamental design for a hand-actuated pump, as shown and described.

DESCRIPTION

FIGS. 1 and 2 are first and second perspective views, respectively, of a hand-actuated pump of the present invention in a close configuration;

FIG. 3 is a right side view thereof;

FIG. 4 is a left side view thereof;

FIG. 5 is a top view thereof;

FIG. 6 is a front view thereof;

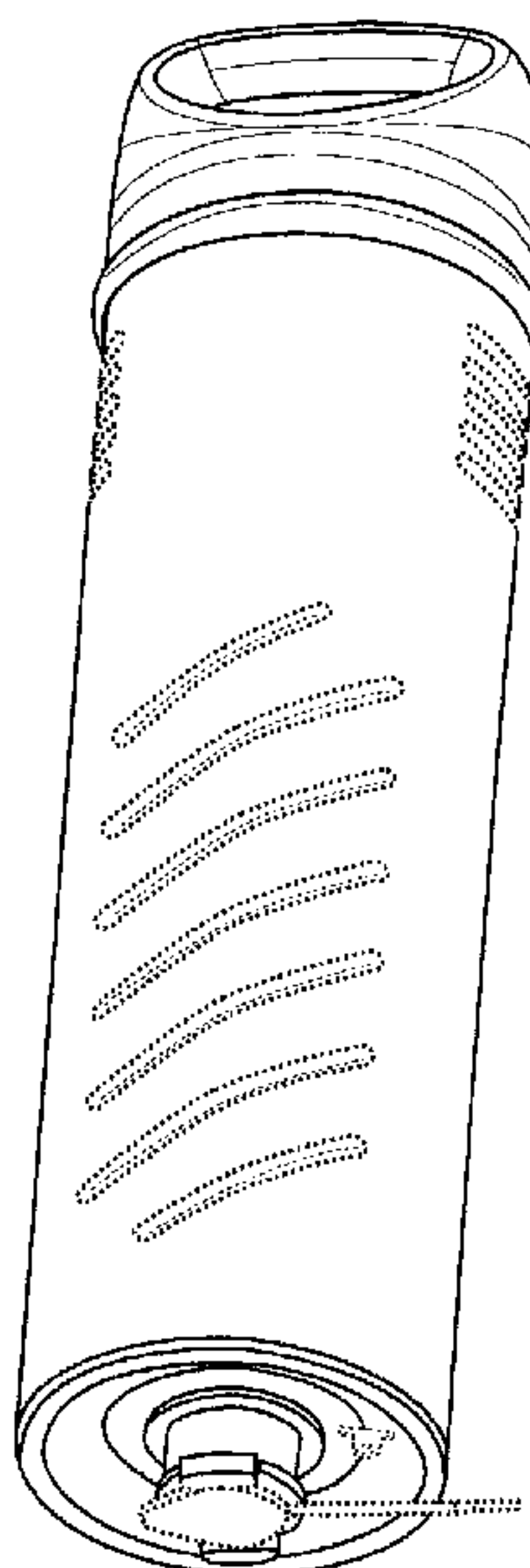
FIG. 7 is a back view thereof;

FIG. 8 is a bottom view thereof; and,

FIGS. 9 and 10 are first and second perspective views, respectively, of a hand-actuated pump of the present invention in an extended configuration.

The broken lines in the Figures form no part of the claimed design.

1 Claim, 4 Drawing Sheets



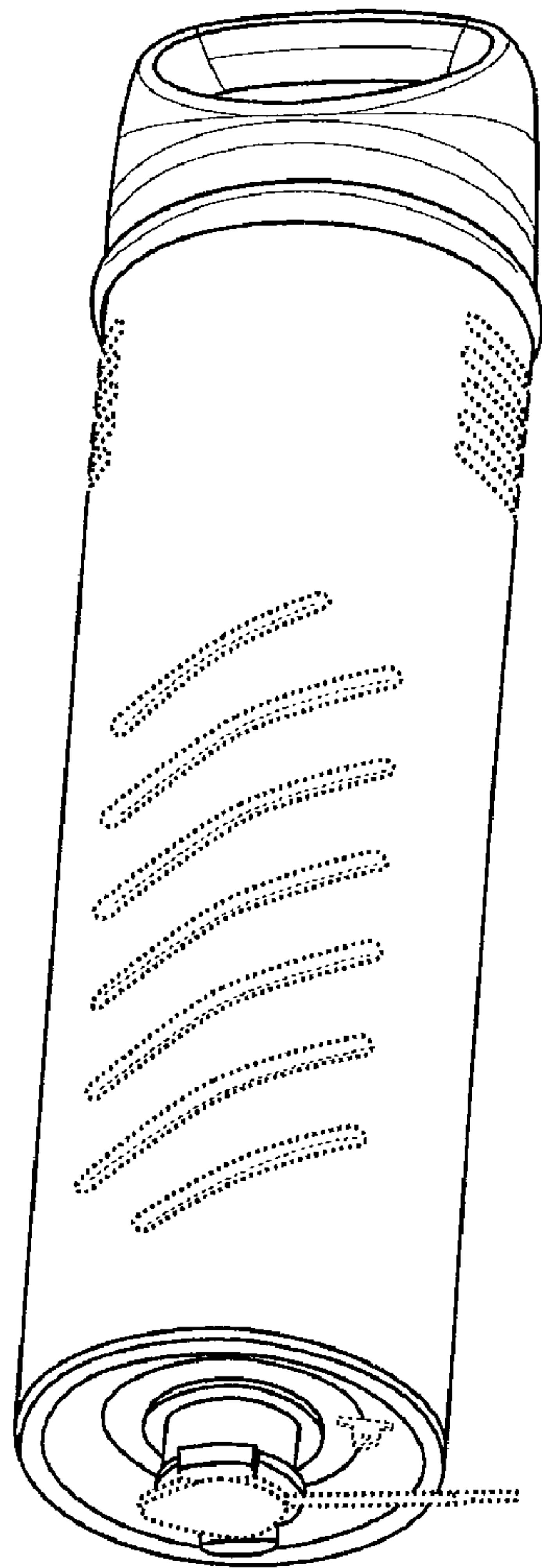


Fig. 1

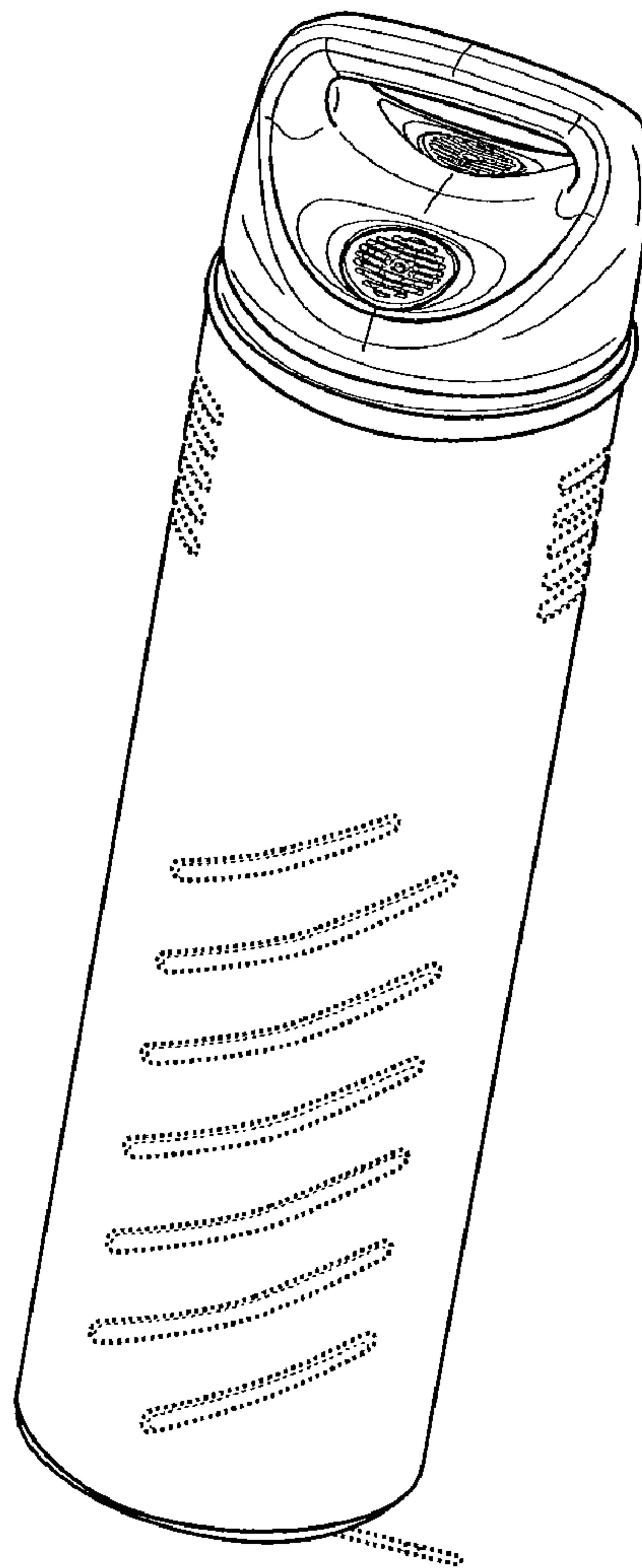


Fig. 2

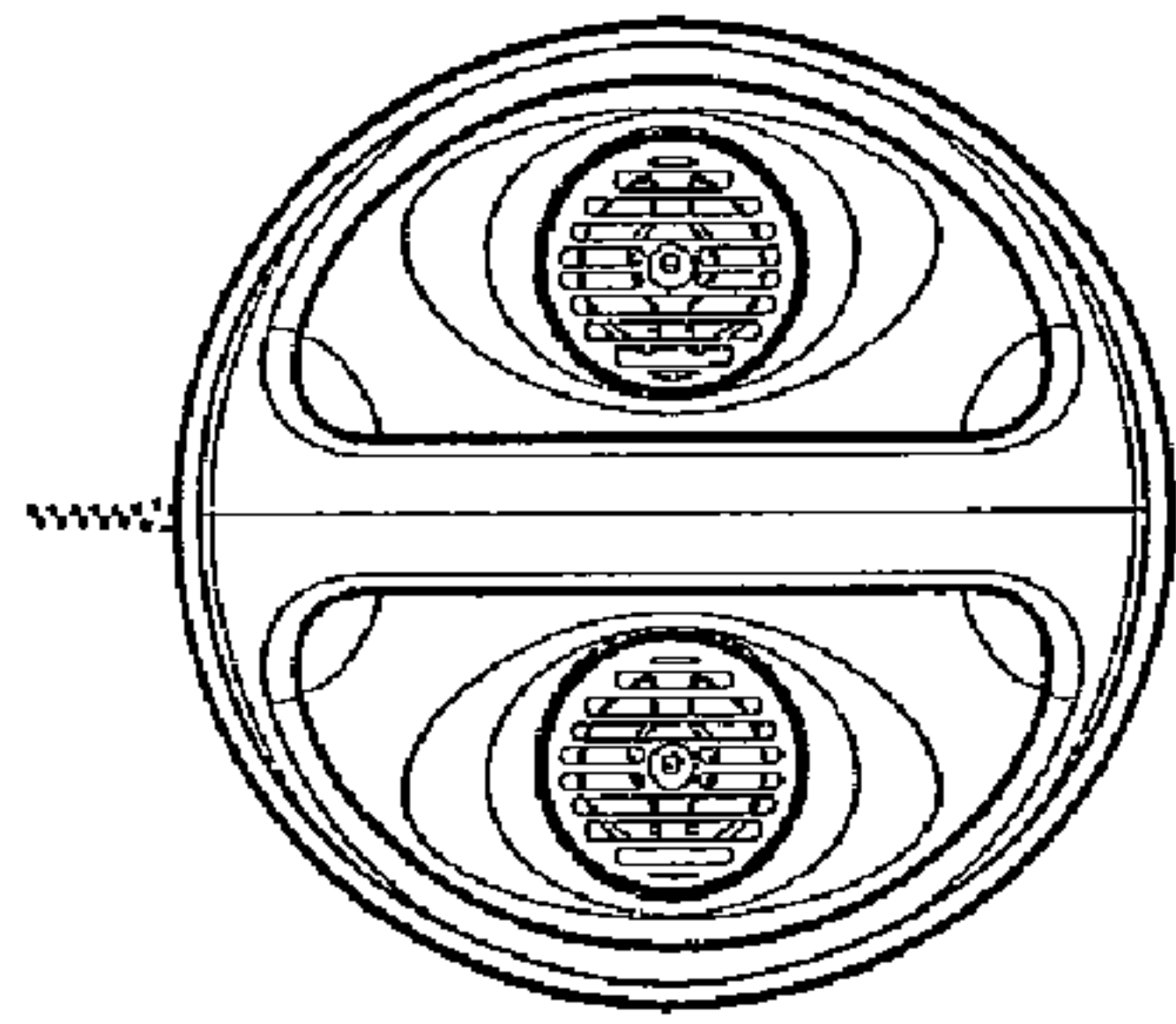


Fig. 3

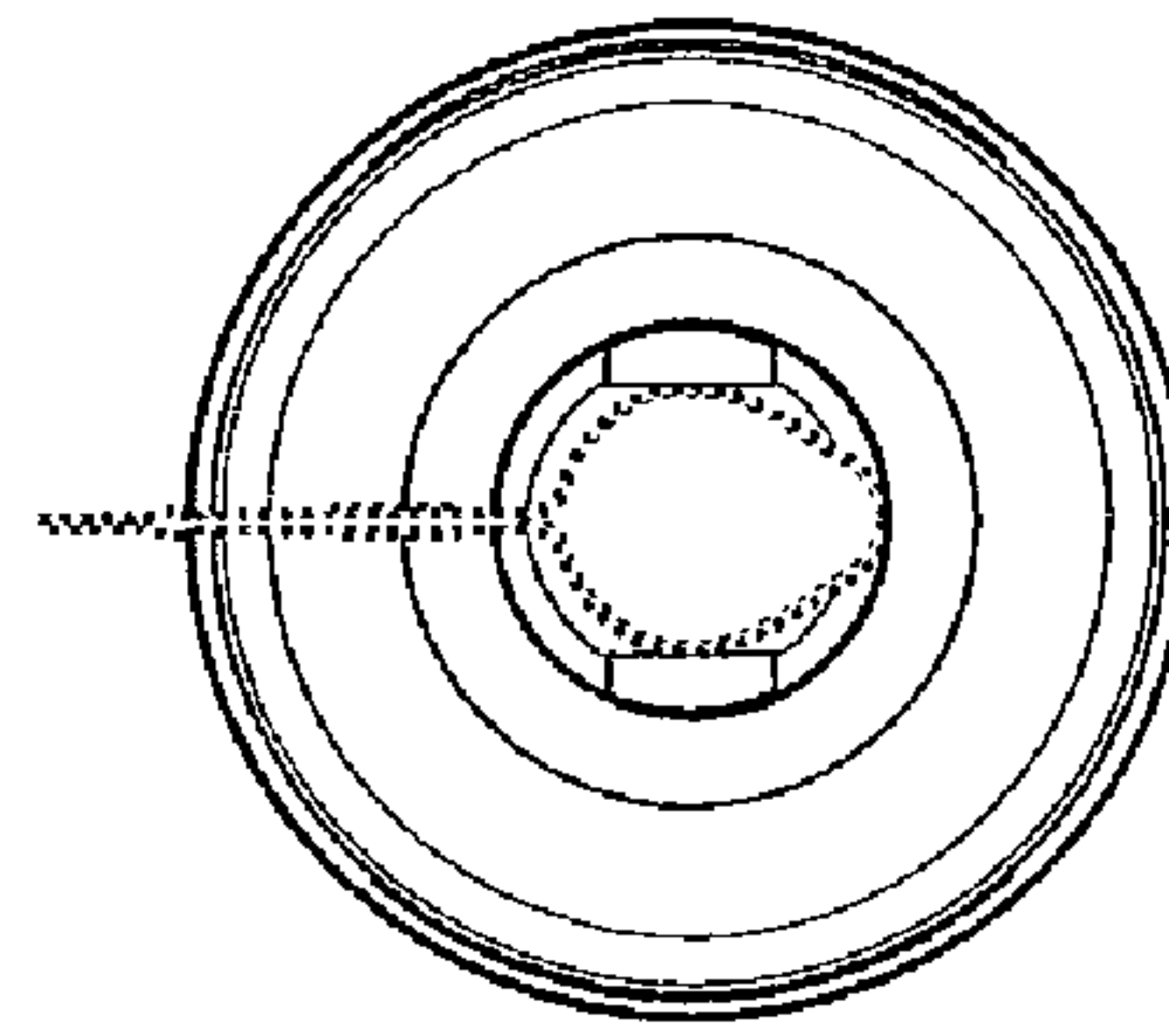


Fig. 4

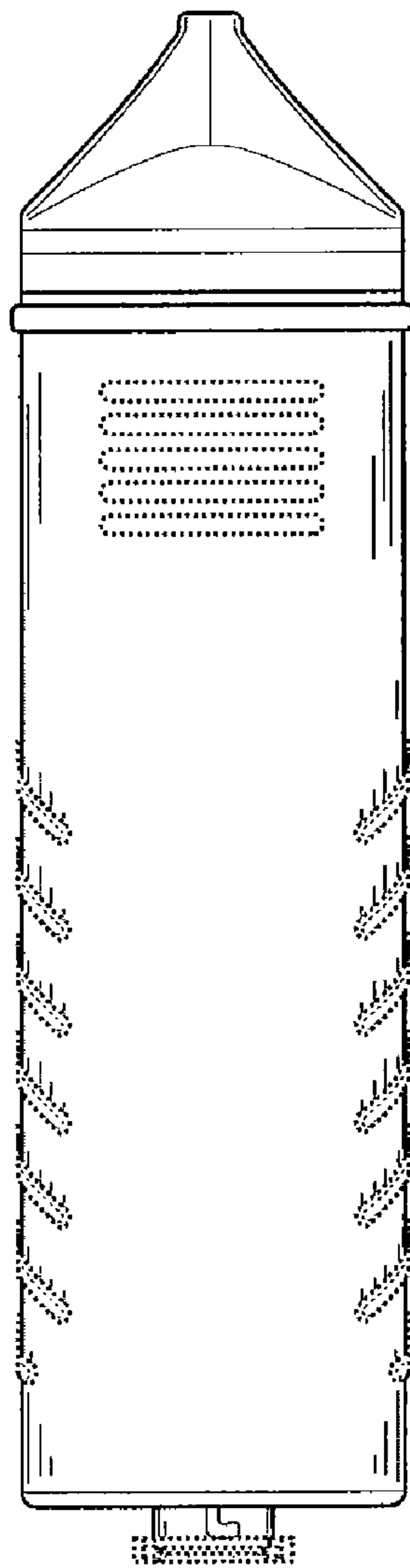


Fig. 5

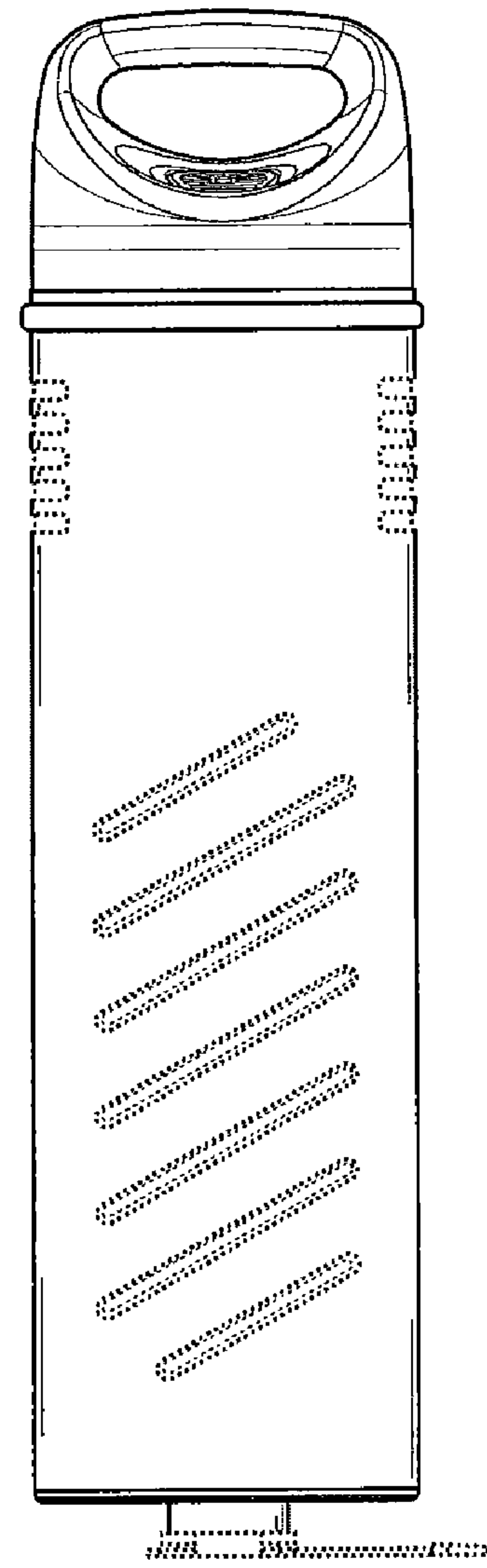


Fig. 6

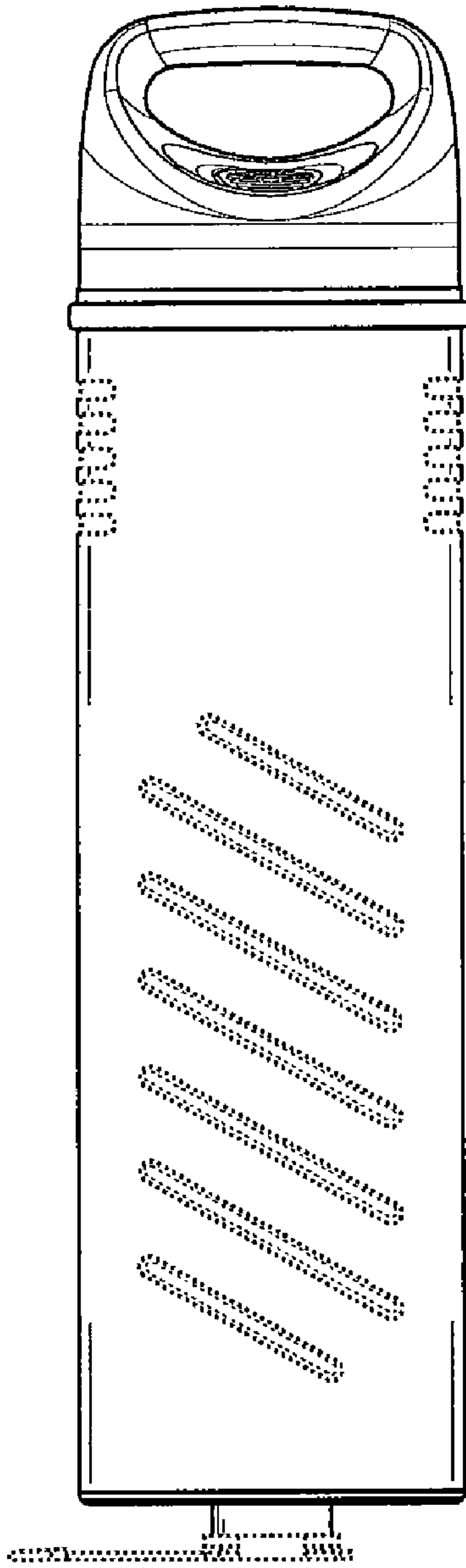


Fig. 7

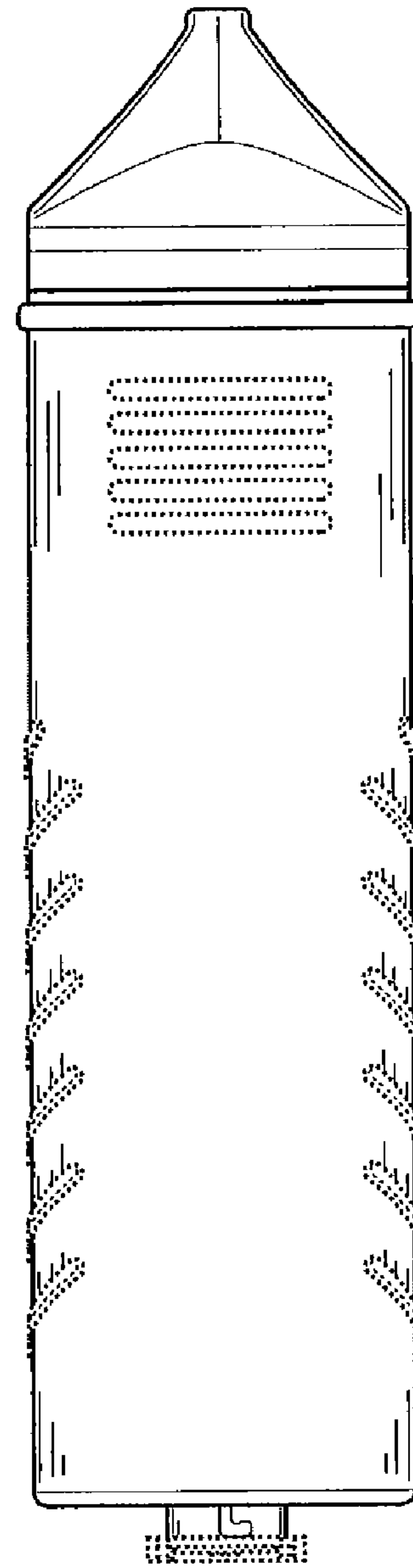


Fig. 8

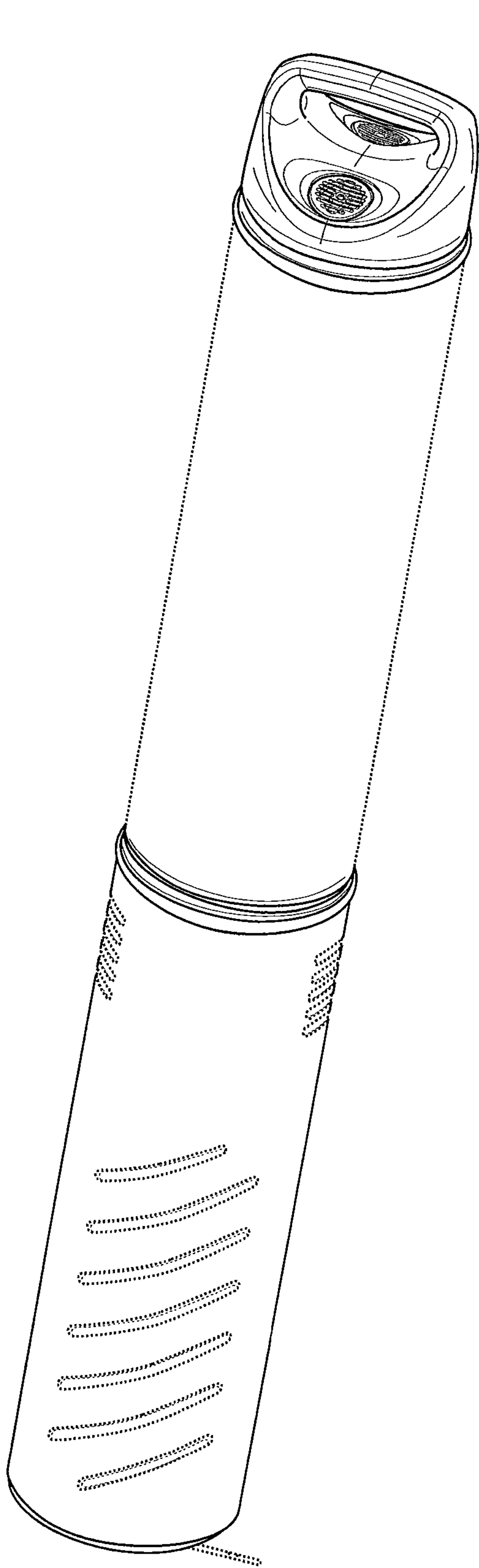


Fig. 9

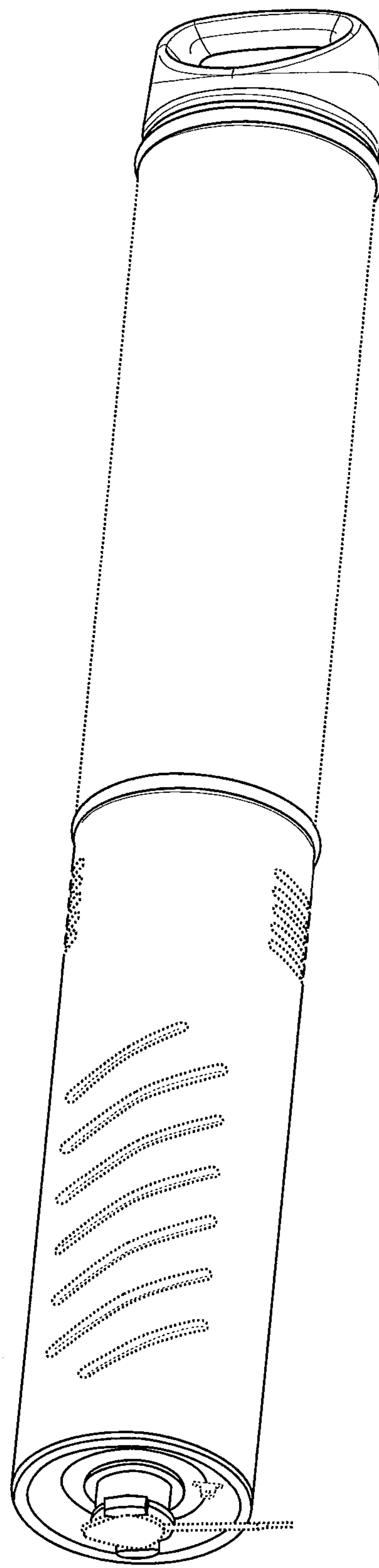


Fig. 10