

US00D634748S

(12) **United States Design Patent**
Lam et al.

(10) **Patent No.:** **US D634,748 S**
(45) **Date of Patent:** **** Mar. 22, 2011**

(54) **NAVIGATION BUTTON SET FOR A
COMPUTING DEVICE**

(75) Inventors: **Lawrence Lam**, San Jose, CA (US);
Cathal Loughnane, Bray (IE); **Richard
Gioscia**, Santa Clara, CA (US)

(73) Assignee: **Hewlett-Packard Development
Company L.P.**, Houston, TX (US)

(**) Term: **14 Years**

(21) Appl. No.: **29/235,825**

(22) Filed: **Aug. 5, 2005**

(51) **LOC (9) Cl.** **14-02**

(52) **U.S. Cl.** **D14/455; D14/247**

(58) **Field of Classification Search** D14/137-8,
D14/217-8, 247, 320, 333, 338, 341, 346,
D14/383, 387, 390-2, 395-6, 398-9, 426,
D14/432, 454-6; D13/171, 174; D18/1,
D18/7, 12.2; 178/17 A, 17 C; 200/5 A; 341/22;
345/160, 168-9; 379/368, 433.07; 382/187;
400/472, 485-490, 493; 455/553.1, 575.1;
710/67

See application file for complete search history.

(56) **References Cited**

U.S. PATENT DOCUMENTS

D461,185 S *	8/2002	Ando	D14/341
D476,328 S *	6/2003	Miao et al.	D14/346
D476,329 S *	6/2003	Miao et al.	D14/346
D479,234 S *	9/2003	Tanaka et al.	D14/346
D491,158 S *	6/2004	Mou et al.	D14/138
6,785,395 B1 *	8/2004	Arneson et al.	381/334
D501,475 S *	2/2005	Kim	D14/346
D506,754 S *	6/2005	Schlieffers et al.	D14/346
D508,046 S *	8/2005	Suzuki	D14/258
D518,820 S *	4/2006	Hawkins et al.	D14/346

D518,821 S *	4/2006	Hawkins et al.	D14/346
D519,502 S *	4/2006	Hawkins et al.	D14/346
2005/0099394 A1 *	5/2005	Chou et al.	345/168

OTHER PUBLICATIONS

LG L5100, 2004, http://www.gsmarena.com/lg_15100-891.php.
LG U8380, Jun. 2005, http://www.gsmarena.com/lg_u8380-1269.php.
i-mate JAM, 2004, http://www.gsmarena.com/i_mate_jam-963.php.
Samsung i700, Mar. 2004, http://www.gsmarena.com/samsung_i700-441.php.
Photos of Treo 180: three-quarters view of overall device, close up of keyboard & controls) (2 pages).
Handspring Press Release, Introduction of Treo 180, "Handspring Unites Phone, Messaging and PDA In New Treo Communicator," Oct. 15, 2001. www.palm.com/us/pr/hs_archive/101501.html (3 pages).
Photos of Treo 600: front view of device and close up of keyboard & controls (2 pages).

(Continued)

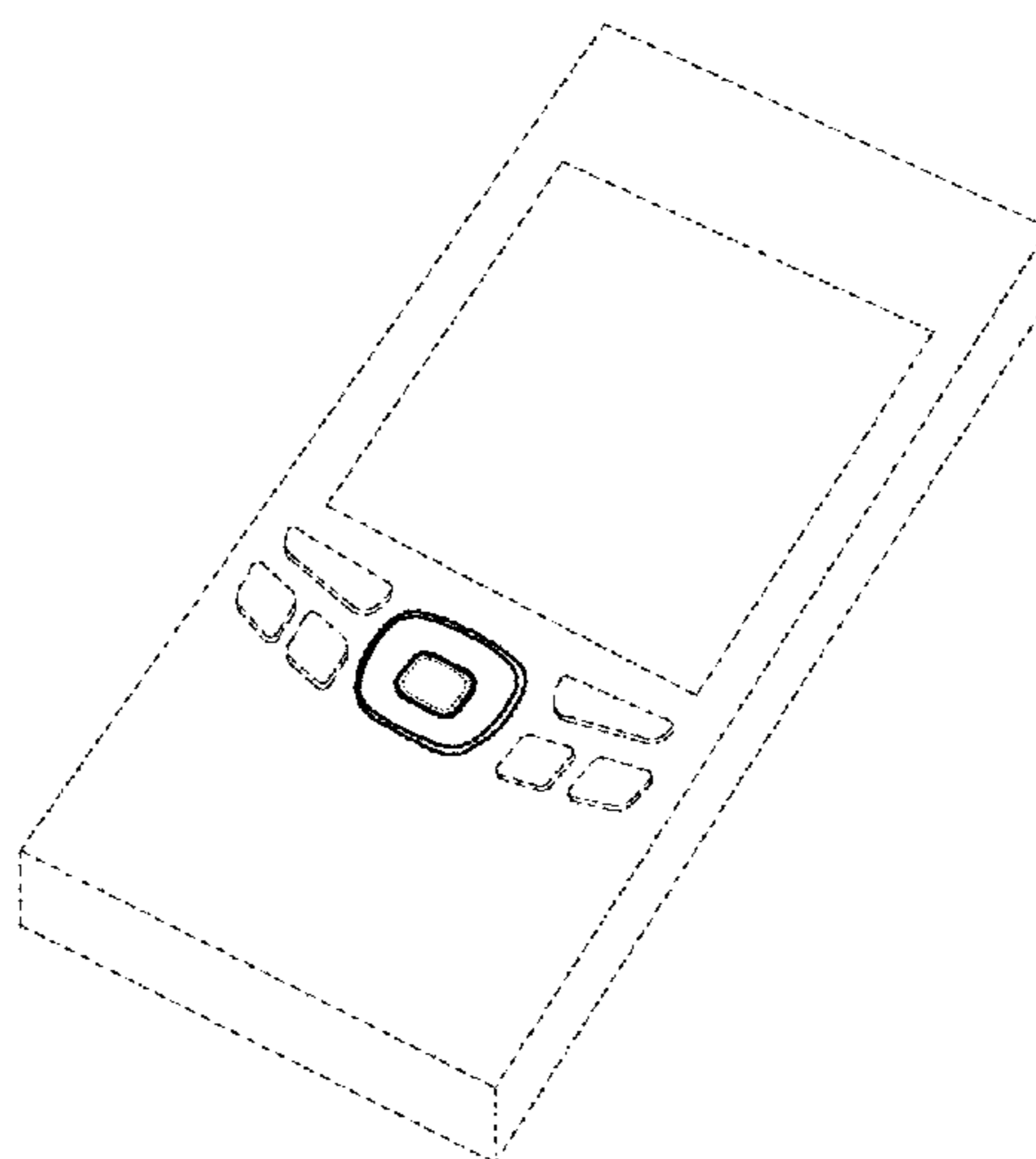
Primary Examiner — Angela J Lee
(74) *Attorney, Agent, or Firm* — Mahamedi Paradise Kreisman LLP

(57) **CLAIM**
The ornamental design for a navigation button set for a computing device, as shown and described.

DESCRIPTION

FIG. 1 is a first isometric view of a navigation button set for a computing device;
FIG. 2 is a second isometric view thereof;
FIG. 3 is a front view thereof;
FIG. 4 is an enlarged front view thereof, shown without the broken line environment for clarity of illustration; and,
FIG. 5 is an enlarged side view of the navigation button set for a computing device, shown without some of the broken line environment for clarity of illustration.
The portions of the computing device shown in broken lines form no part of the claimed design.

1 Claim, 5 Drawing Sheets



OTHER PUBLICATIONS

Handspring Press Release, Introduction of Treo 600, "Handspring Introduces Smartphone Design Innovations With Treo 600 Series," Jun. 18, 2003. www.palm.com/us/company/pr/hs_archive/061803.html (2 pages).

Photos of Treo 650: front view of device and close up of keyboard & controls (2 pages).

"Treo 650 Announced," product review and analysis, published on TreoCentral, Oct. 25, 2004. www.treocentral.com/contents/Stories/472-1.htm (4 pages).

* cited by examiner

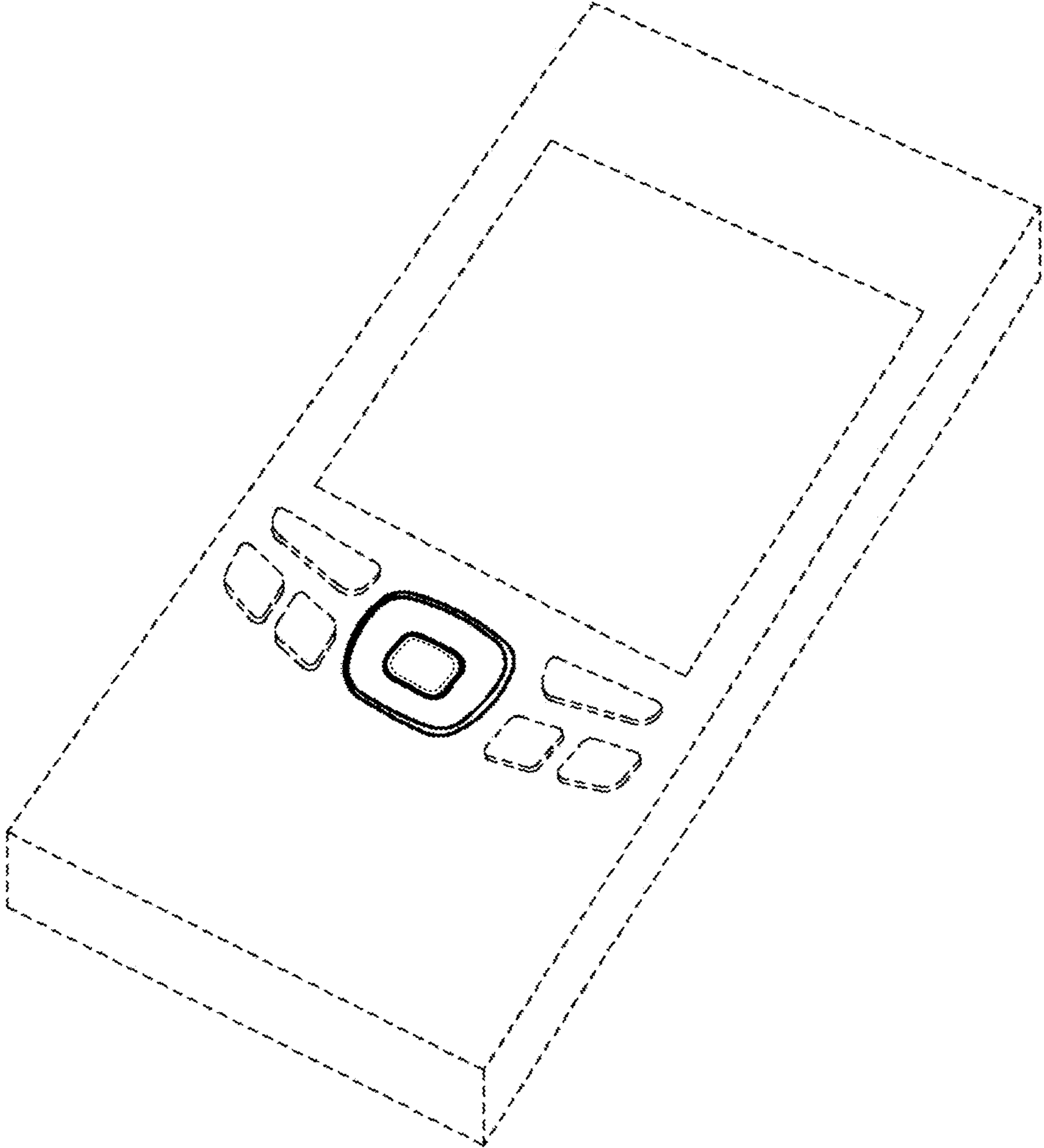


FIG. 1

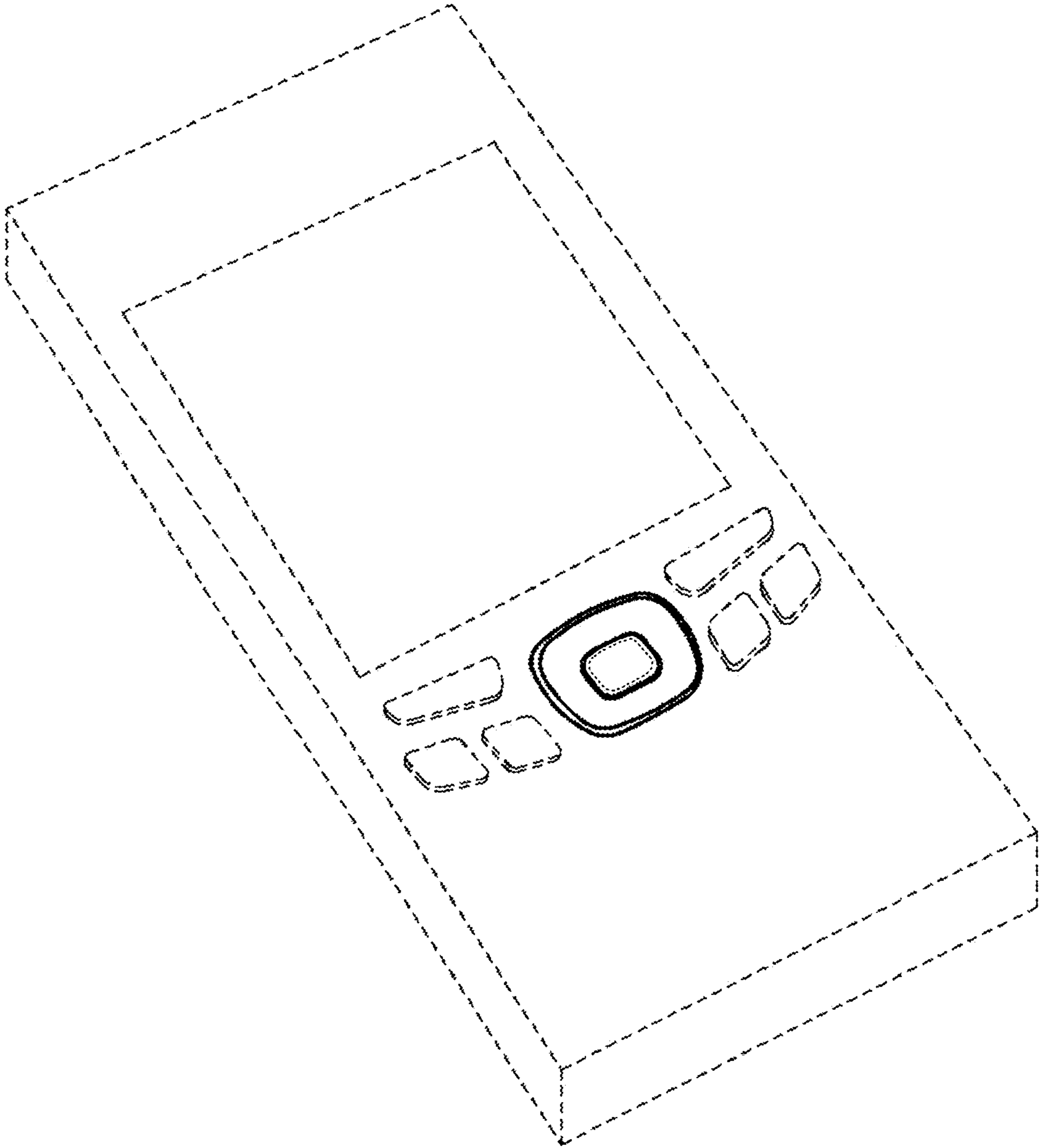


FIG. 2

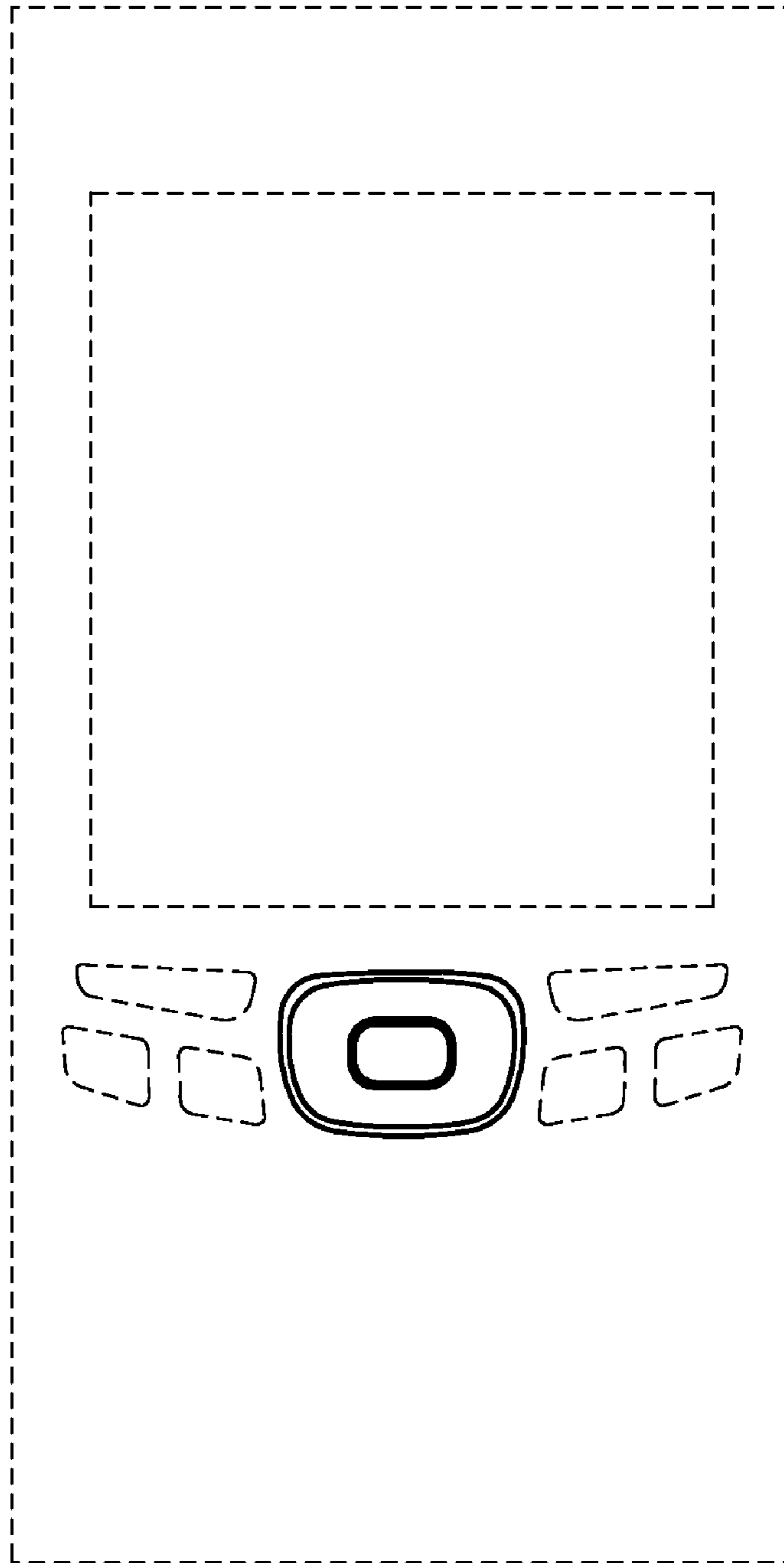


FIG. 3

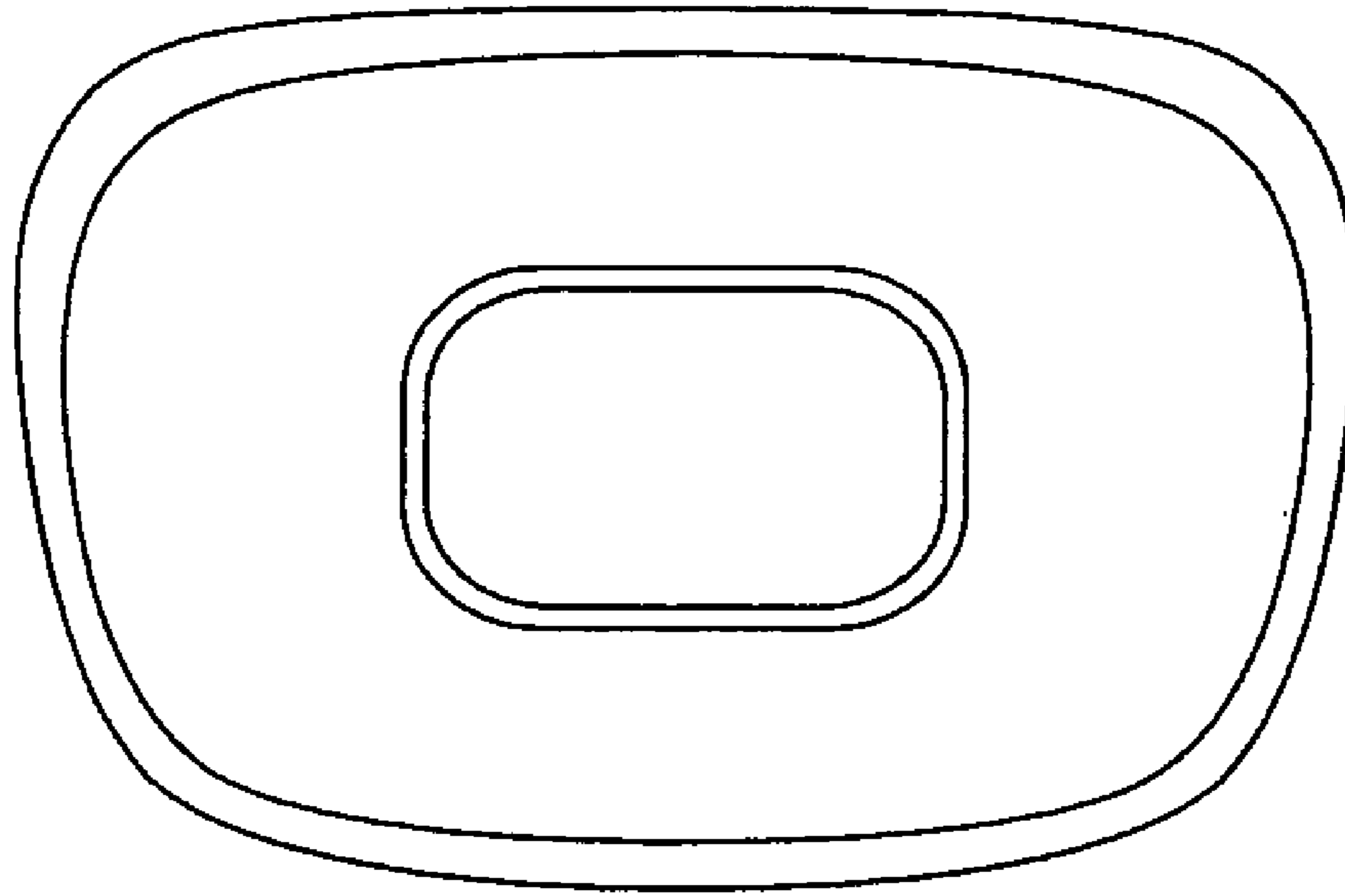


FIG. 4

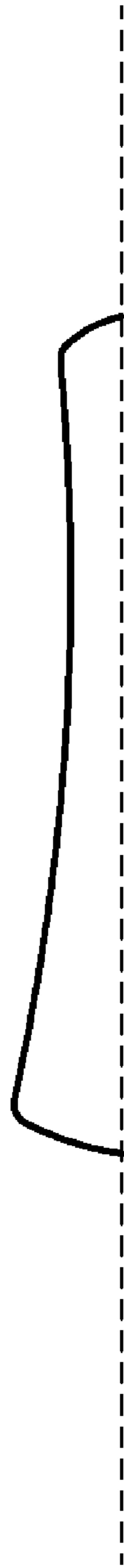


FIG. 5