



US00D634747S

(12) **United States Design Patent**  
**Wong et al.**

(10) **Patent No.:** **US D634,747 S**  
(45) **Date of Patent:** **\*\* Mar. 22, 2011**

(54) **STYLUS**

(75) Inventors: **Glenn A. Wong**, Foster City, CA (US);  
**Kevin L. Massaro**, Houston, TX (US);  
**Mark C. Solomon**, San Jose, CA (US)

(73) Assignee: **Hewlett-Packard Development Company, L.P.**, Houston, TX (US)

(\*\*) Term: **14 Years**

(21) Appl. No.: **29/376,434**

(22) Filed: **Oct. 6, 2010**

(51) **LOC (9) Cl.** ..... **14-02**

(52) **U.S. Cl.** ..... **D14/411**

(58) **Field of Classification Search** ..... D8/61;  
D14/411; D19/35, 36, 41-51, 54-58; 401/55,  
401/99, 100, 104-107, 196, 197, 202, 208,  
401/209, 213, 192, 195, 243; 708/107; 345/179,  
345/173; 178/19.01; 700/94

See application file for complete search history.

(56) **References Cited**

**U.S. PATENT DOCUMENTS**

D368,079 S \* 3/1996 Ive et al. .... D14/411  
D464,653 S \* 10/2002 Nagai et al. .... D14/411  
D497,387 S \* 10/2004 Cetera ..... D19/36  
D527,050 S \* 8/2006 Hirota ..... D19/51

D547,799 S \* 7/2007 Granick ..... D19/36  
D569,908 S \* 5/2008 Rolion et al. .... D19/51  
7,377,709 B2 \* 5/2008 Butler ..... 401/195  
D584,772 S \* 1/2009 Hackenberg et al. .... D19/51  
D602,527 S \* 10/2009 Heck et al. .... D19/51  
D614,622 S \* 4/2010 Nakata ..... D14/411  
D614,623 S \* 4/2010 Crisp et al. .... D14/411  
D617,327 S \* 6/2010 Crisp ..... D14/411  
D617,328 S \* 6/2010 Nakata ..... D14/411  
D619,580 S \* 7/2010 Nakayama et al. .... D14/411  
D619,581 S \* 7/2010 Tani et al. .... D14/411

\* cited by examiner

*Primary Examiner* — Austin Murphy

(57) **CLAIM**

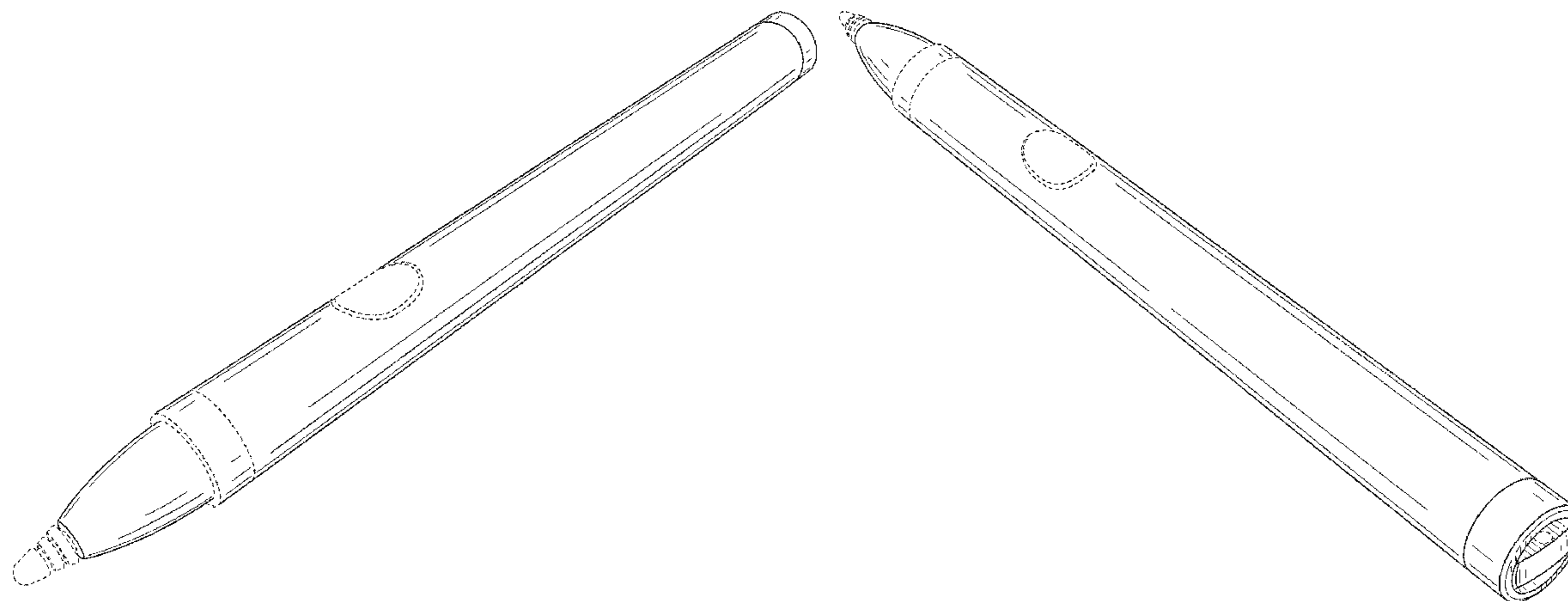
We claim the ornamental design for a stylus, as shown and described.

**DESCRIPTION**

FIG. 1 is a front perspective view of a stylus;  
FIG. 2 is a rear perspective view thereof;  
FIG. 3 is a top view thereof;  
FIG. 4 is a right side view thereof, the left side being a mirror image of the right side view shown;  
FIG. 5 is a bottom view thereof;  
FIG. 6 is a front view thereof; and,  
FIG. 7 is a rear view thereof.

The broken lines shown in the drawings represent unclaimed portions of the stylus and form no part of the claimed design.

**1 Claim, 4 Drawing Sheets**



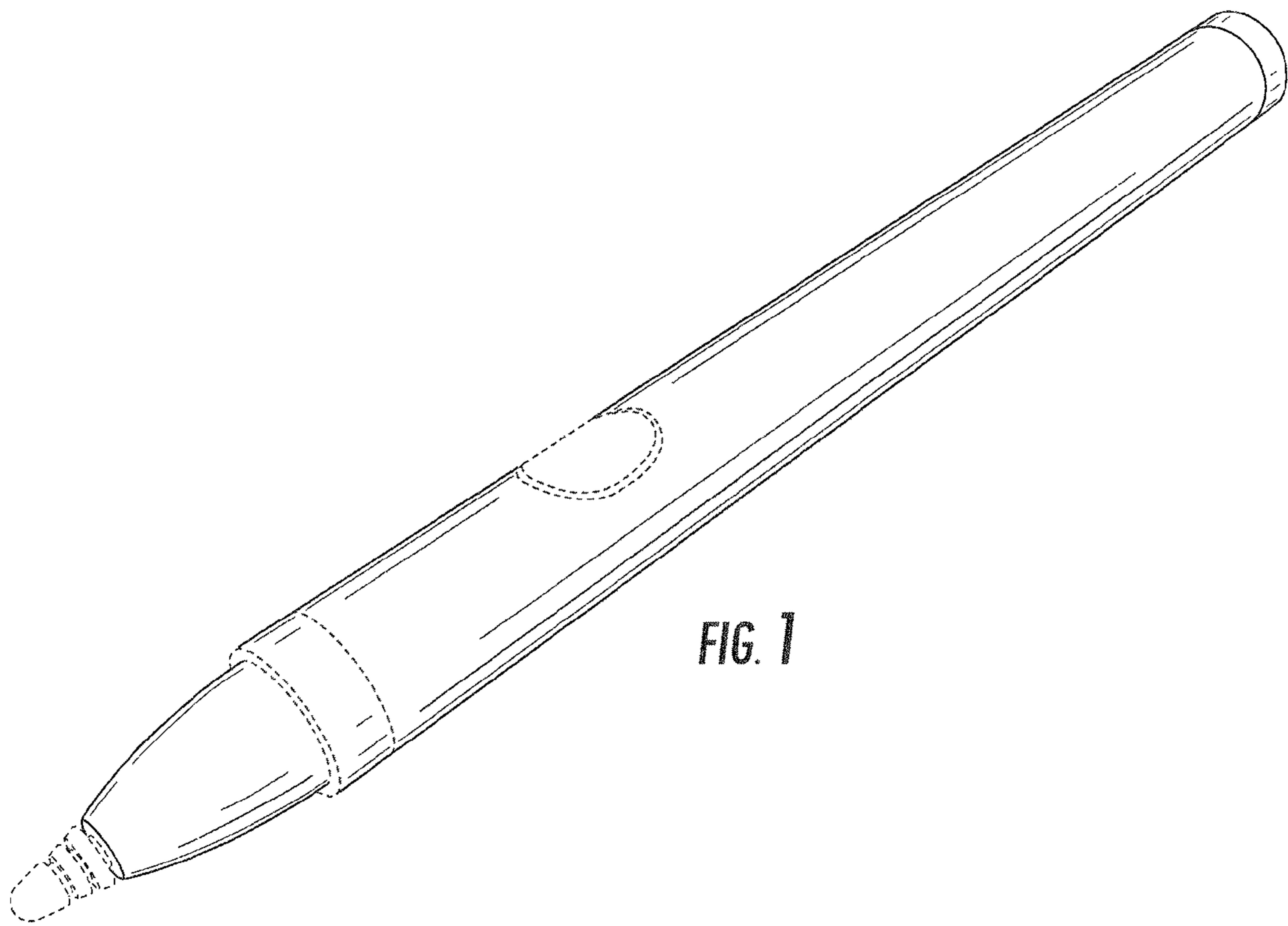


FIG. 1

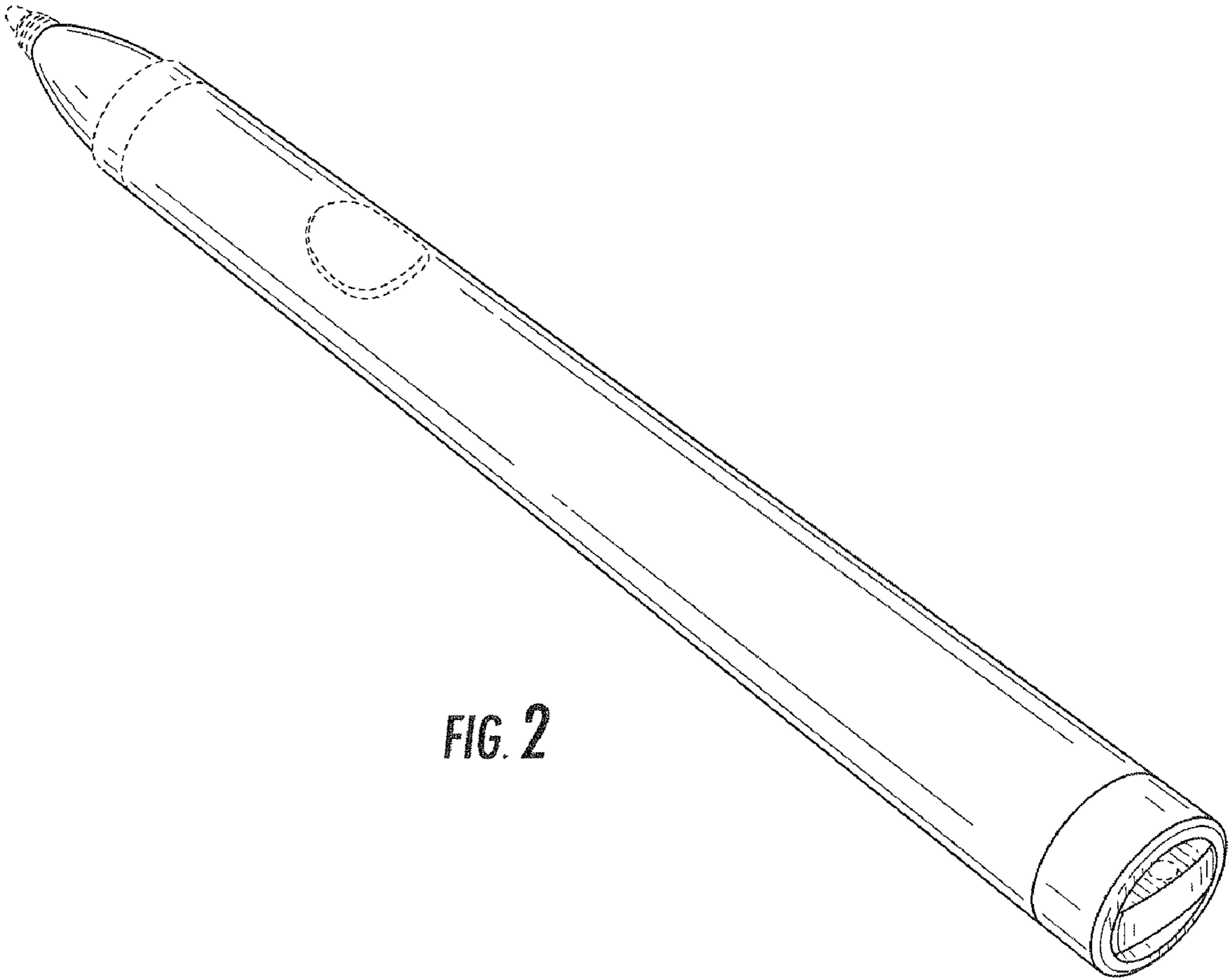


FIG. 2

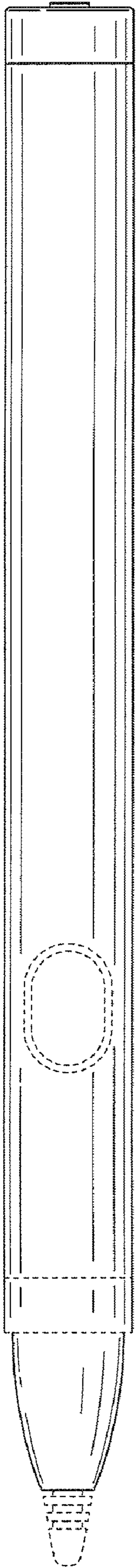


FIG. 3

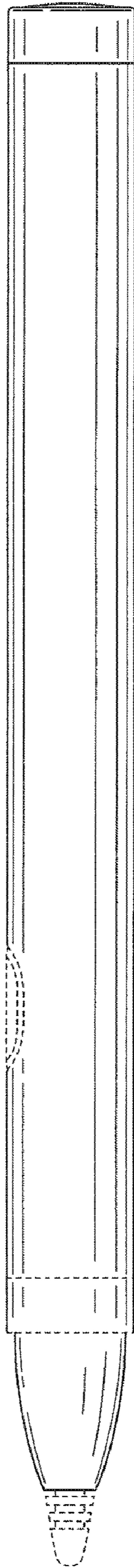


FIG. 4

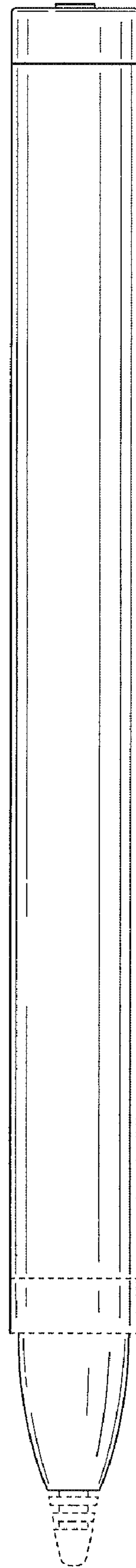
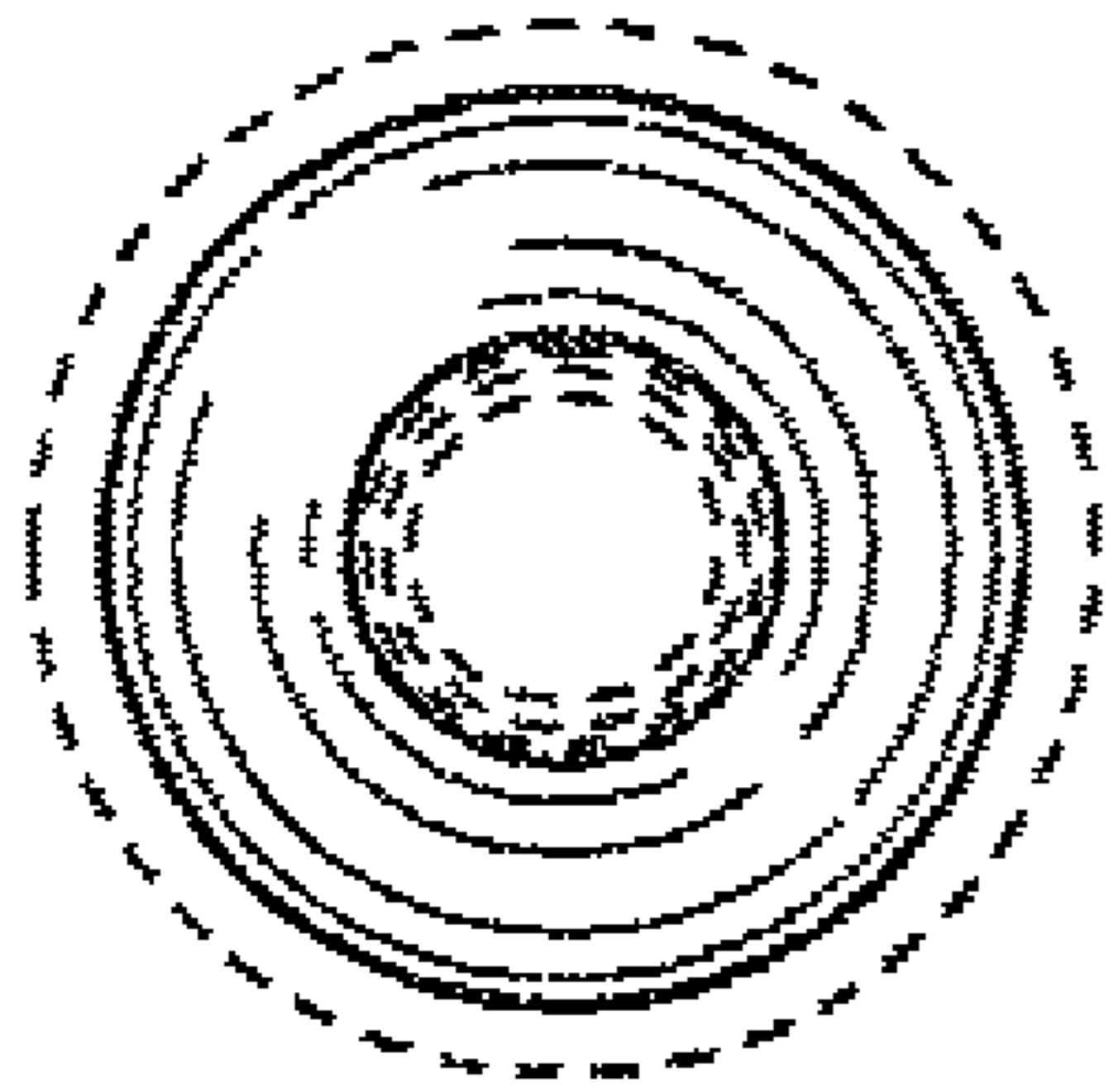
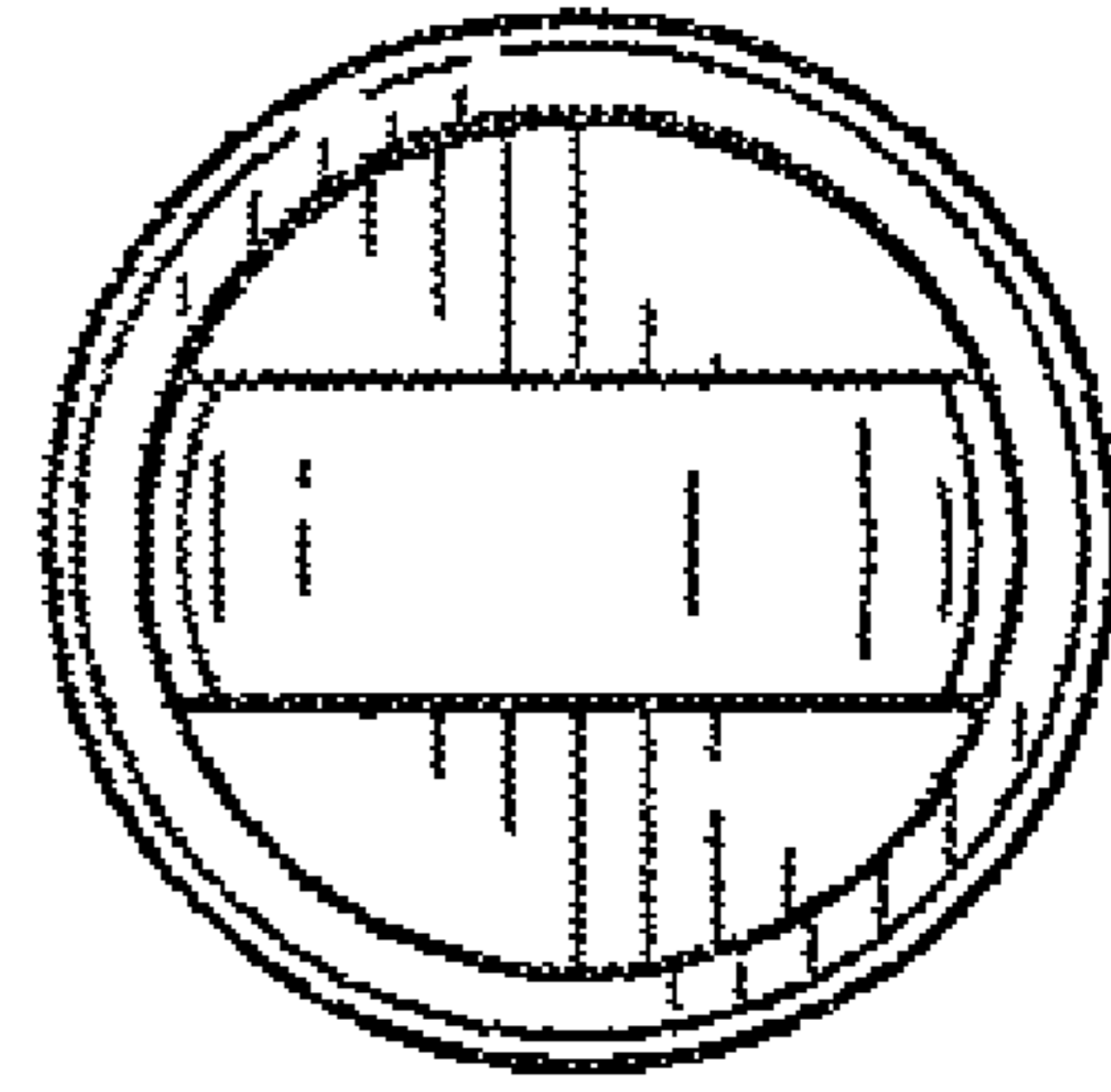


FIG. 5



**FIG. 6**



**FIG. 7**