



US00D634745S

(12) **United States Design Patent**
Park et al.

(10) **Patent No.:** **US D634,745 S**
(45) **Date of Patent:** **** Mar. 22, 2011**

- (54) **LCD MONITOR**
- (75) Inventors: **Sang-II Park**, Kyunggi-do (KR);
Young-Jin Seo, Seoul (KR)
- (73) Assignee: **Samsung Electronics Co., Ltd.**, Suwon,
Kyunggi-do (KR)
- (**) Term: **14 Years**
- (21) Appl. No.: **29/370,571**
- (22) Filed: **Aug. 5, 2010**
- (51) **LOC (9) Cl.** **14-02**
- (52) **U.S. Cl.** **D14/373**
- (58) **Field of Classification Search** D14/371-376,
D14/125-129, 336, 341; 248/917-924, 122.1,
248/278.1; 341/12; 345/104, 156, 173, 174,
345/901-905; 348/180, 184, 325, 739; 361/679.08,
361/679.23; 349/1, 2, 11, 58; 715/761
See application file for complete search history.

- D534,883 S 1/2007 Kang et al.
- D535,267 S 1/2007 Kang et al.
- D536,677 S 2/2007 Kim et al.
- D537,079 S 2/2007 Park
- D539,242 S 3/2007 Lee et al.
- D539,281 S 3/2007 Kim et al.
- D539,767 S 4/2007 Kang et al.
- D540,277 S 4/2007 Kim et al.
- D541,236 S 4/2007 Kim et al.
- D541,763 S 5/2007 Kim
- D542,746 S 5/2007 Kim
- D542,747 S 5/2007 Kim et al.
- D542,748 S 5/2007 Kim et al.
- D542,749 S 5/2007 Kim et al.
- D543,163 S 5/2007 Yang et al.

(Continued)

OTHER PUBLICATIONS

U.S. Appl. No. 29/308,894, Applicant: Eui-Seok Kim, et al., filed Jul. 14, 2008 entitled LCD Monitor.

(Continued)

Primary Examiner — Freda S Nunn

(74) *Attorney, Agent, or Firm* — Flynn, Thiel, Boutell & Tanis, P.C.

(56) **References Cited**

U.S. PATENT DOCUMENTS

- 5,687,939 A * 11/1997 Moscovitch 248/122.1
- D449,302 S * 10/2001 Jung D14/373
- 6,554,238 B1 * 4/2003 Hibberd 248/278.1
- D494,941 S 8/2004 Kim
- D499,386 S 12/2004 Yang
- D499,704 S * 12/2004 Song D14/127
- D507,270 S * 7/2005 Ozolins et al. D14/375
- D512,424 S 12/2005 Kim
- D521,511 S 5/2006 Kim et al.
- D521,996 S 5/2006 Kim et al.
- D521,997 S 5/2006 Park et al.
- D524,313 S 7/2006 Boo et al.
- D527,003 S 8/2006 Kim et al.
- D528,115 S 9/2006 Yoon
- D528,116 S 9/2006 Won et al.
- D529,910 S 10/2006 Ota
- D532,764 S 11/2006 Kim et al.
- D533,848 S 12/2006 Lee et al.
- D534,510 S 1/2007 Kang et al.

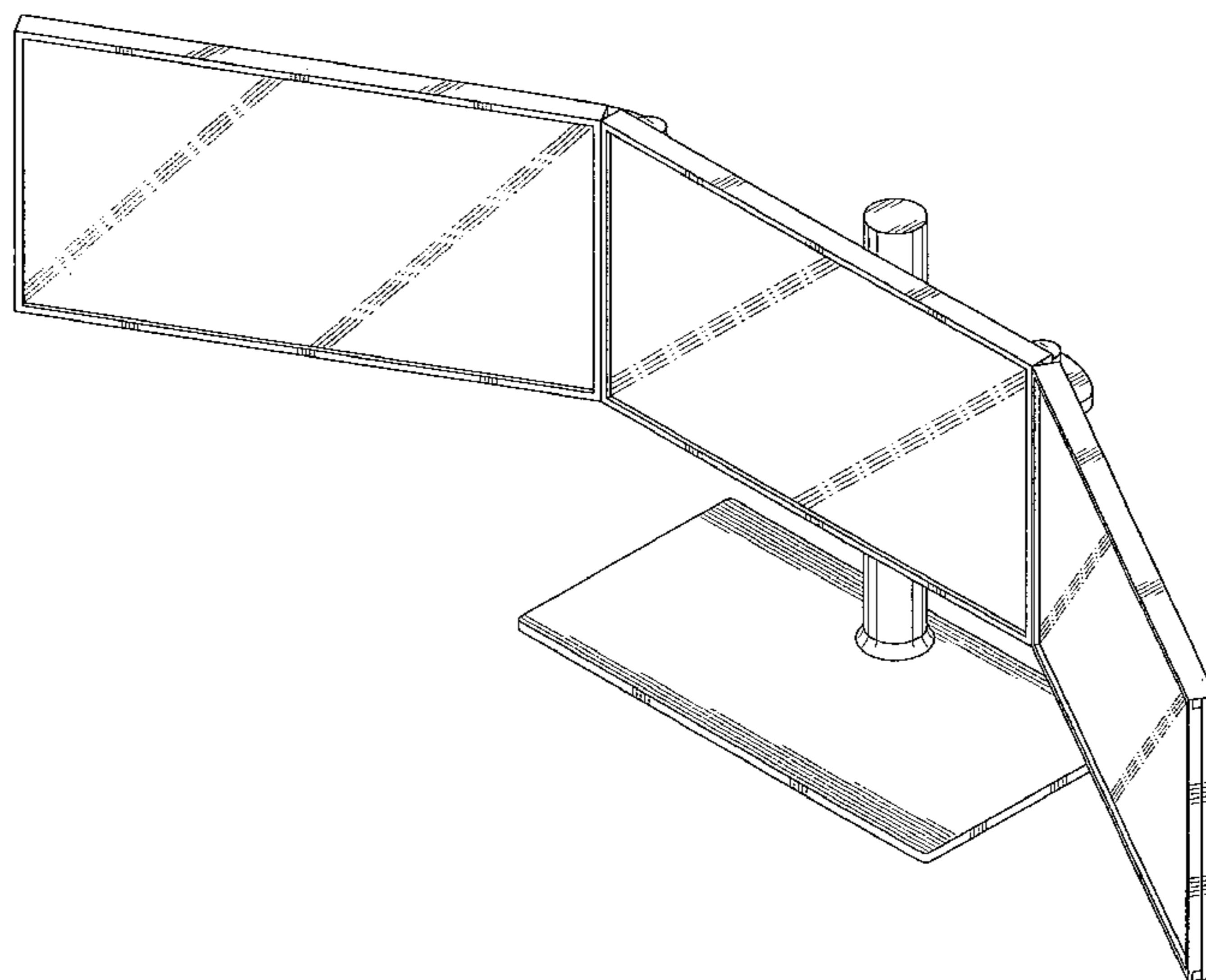
(57) **CLAIM**

The ornamental design for a LCD monitor, as shown and described.

DESCRIPTION

FIG. 1 is a top front perspective view of a LCD monitor showing our new design;
FIG. 2 is a front elevational view thereof;
FIG. 3 is a rear elevational view thereof;
FIG. 4 is a left side elevational view thereof;
FIG. 5 is a right side elevational view thereof;
FIG. 6 is a top plan view thereof; and,
FIG. 7 is a bottom plan view thereof.

1 Claim, 3 Drawing Sheets



US D634,745 S

U.S. PATENT DOCUMENTS

D543,164 S	5/2007	Yang et al.	
D544,849 S	6/2007	Yang et al.	
D545,312 S	6/2007	Kim	
D545,313 S	6/2007	Kim	
D545,314 S	6/2007	Kim	
D545,315 S	6/2007	Kim	
D545,316 S	6/2007	Kim	
7,237,202 B2 *	6/2007	Gage	715/761
D545,776 S	7/2007	Kwon	
D545,820 S	7/2007	Won et al.	
D546,331 S	7/2007	Kim	
D547,276 S	7/2007	Yang et al.	
D547,313 S	7/2007	Kim	
D548,205 S	8/2007	Kim et al.	
D548,206 S	8/2007	Han	
D548,708 S	8/2007	Park et al.	
D551,186 S	9/2007	Yang et al.	
D551,194 S	9/2007	Kim et al.	
D551,636 S	9/2007	Kang et al.	
D552,509 S	10/2007	Walkup et al.	
D553,108 S	10/2007	Won et al.	
D554,601 S	11/2007	Won et al.	
D556,159 S	11/2007	Park et al.	
D556,160 S	11/2007	Lee et al.	
D556,709 S	12/2007	Kim et al.	
D556,755 S	12/2007	Lee et al.	
D556,756 S	12/2007	Kataoka et al.	
D556,757 S	12/2007	Kim et al.	
D558,201 S	12/2007	Park et al.	
D558,696 S	1/2008	Park et al.	
D561,130 S	2/2008	Won et al.	
D561,134 S	2/2008	Kim et al.	
D561,135 S	2/2008	Won et al.	
D561,136 S	2/2008	Won et al.	
D563,917 S *	3/2008	Kobayashi et al.	D14/127
D564,472 S	3/2008	Won et al.	
D565,521 S	4/2008	Yang et al.	
D567,198 S	4/2008	Yang et al.	
D567,199 S	4/2008	Kim et al.	
D569,818 S	5/2008	Kim et al.	
D570,841 S	6/2008	Kim et al.	
D572,680 S	7/2008	Lee et al.	
D572,682 S	7/2008	Won et al.	
D573,118 S	7/2008	Yang et al.	
D573,559 S	7/2008	Kim et al.	
D575,247 S	8/2008	Lee	
D576,622 S	9/2008	Park	
D579,888 S *	11/2008	Lunde et al.	D14/127
D579,889 S	11/2008	Noh	
D582,365 S	12/2008	Yang et al.	
D582,366 S	12/2008	Yang et al.	
D582,867 S	12/2008	Song et al.	
D584,258 S	1/2009	Yang et al.	
D584,309 S	1/2009	Kim et al.	
D584,310 S	1/2009	Kim et al.	
D584,729 S	1/2009	Kim et al.	

D586,811 S	2/2009	Kim et al.	
D587,710 S *	3/2009	Han	D14/373
D587,712 S	3/2009	Park et al.	
D589,511 S *	3/2009	Han	D14/373
D589,958 S *	4/2009	Han	D14/373
D592,621 S	5/2009	Han et al.	
D593,974 S	6/2009	Yang et al.	
D597,041 S	7/2009	Cho et al.	
D597,977 S	8/2009	Won et al.	
D597,978 S	8/2009	Won et al.	
D601,104 S	9/2009	Kim	
D603,816 S	11/2009	Kim et al.	
D603,817 S	11/2009	Kim et al.	
D605,148 S	12/2009	Boo et al.	
D605,149 S	12/2009	Kim et al.	
D605,150 S	12/2009	Kim	
D607,426 S	1/2010	Yang	
D608,311 S	1/2010	Lee et al.	
D608,314 S	1/2010	Boo et al.	
D609,658 S	2/2010	Kim et al.	
D610,143 S	2/2010	Park et al.	
D614,596 S	4/2010	Won et al.	
D615,509 S	5/2010	Song et al.	
D615,510 S	5/2010	Won et al.	
D615,511 S	5/2010	Shin et al.	
D615,938 S	5/2010	Song et al.	
D616,842 S	6/2010	Kim	
D616,884 S	6/2010	Kim et al.	
D619,979 S	7/2010	Lee et al.	
D620,461 S	7/2010	Han et al.	
D620,901 S	8/2010	Won et al.	
D620,902 S	8/2010	Kim et al.	
D620,903 S	8/2010	Song et al.	
D622,235 S	8/2010	Lee et al.	

OTHER PUBLICATIONS

U.S. Appl. No. 29/348,517, Applicant: Yong-Joo Lee, et al., filed Feb. 10, 2010 entitled LCD Monitor.

U.S. Appl. No. 29/349,398, Applicant: Ok-Keun Lee, et al., filed Mar. 31, 2010 entitled LED Monitor.

U.S. Appl. No. 29/349,399, Applicant: Sang-II Park, filed Mar. 31, 2010 entitled LCD Monitor.

U.S. Appl. No. 29/349,400, Applicant: Sang-II Park, filed Mar. 31, 2010 entitled LCD Monitor.

U.S. Appl. No. 29/349,406, Applicant: Kyoung-Hoon Kim, et al., filed Mar. 31, 2010 entitled Television Receiver.

U.S. Appl. No. 29/349,409, Applicant: Kyoung-Hoon Kim, et al., filed Mar. 31, 2010 entitled Television Receiver.

U.S. Appl. No. 29/349,396, Applicant: Young-Jin Seo, et al., filed Mar. 31, 2010 entitled LED Monitor.

U.S. Appl. No. 29/370,219, Applicant: Sang-II Park, et al., filed Jun. 17, 2010 entitled LED Monitor.

U.S. Appl. No. 29/370,569, Applicant: Sang-II Park, et al., filed Aug. 5, 2010 entitled LED Monitor.

* cited by examiner

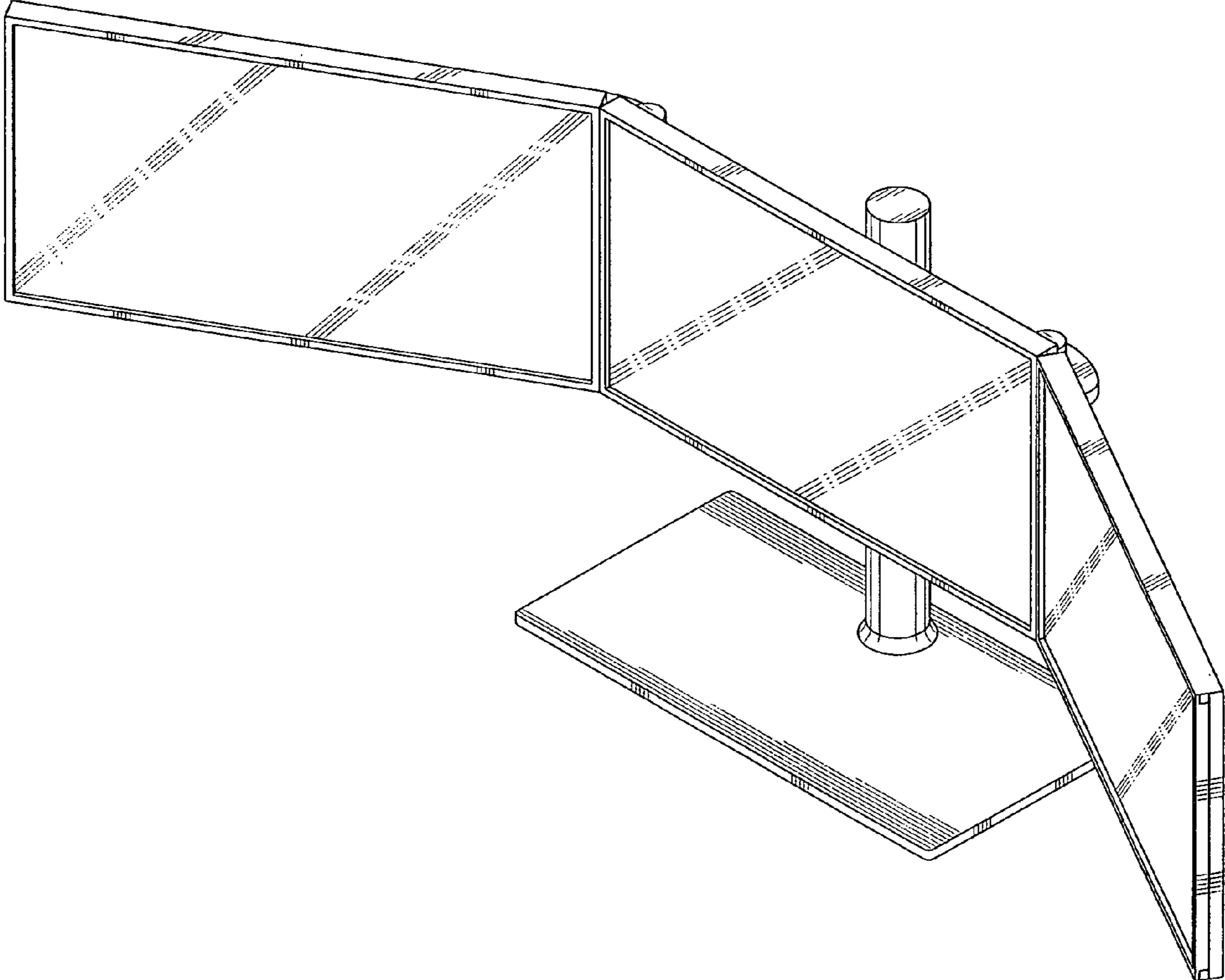


FIG. 1

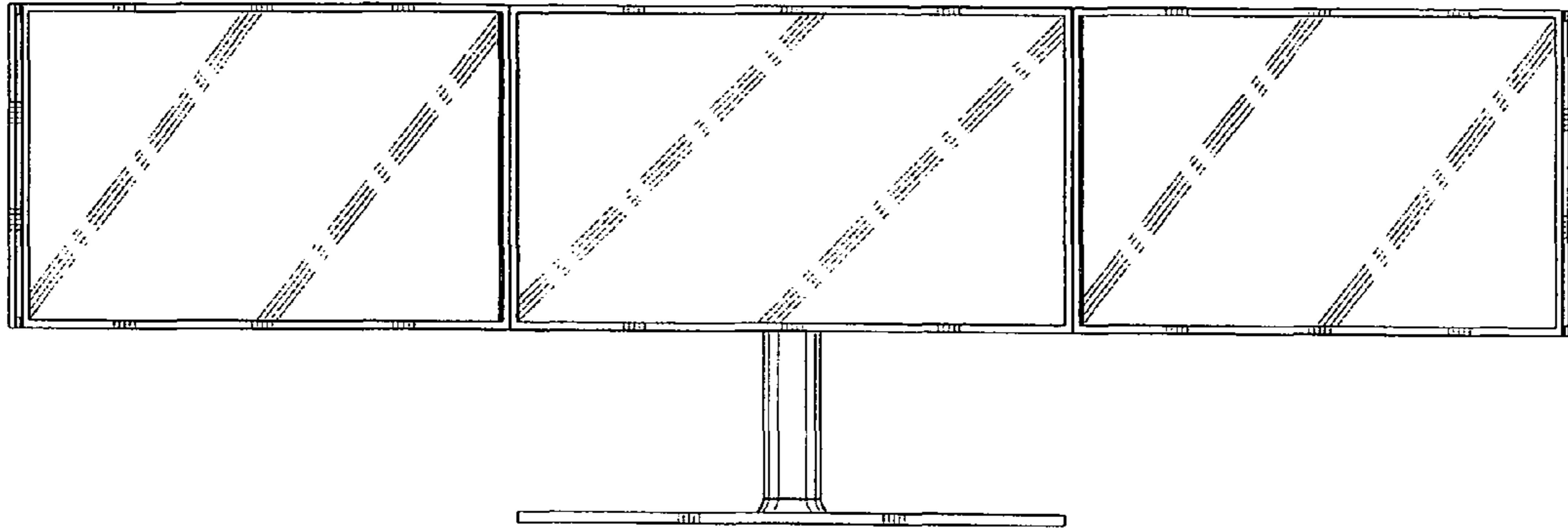


FIG. 2

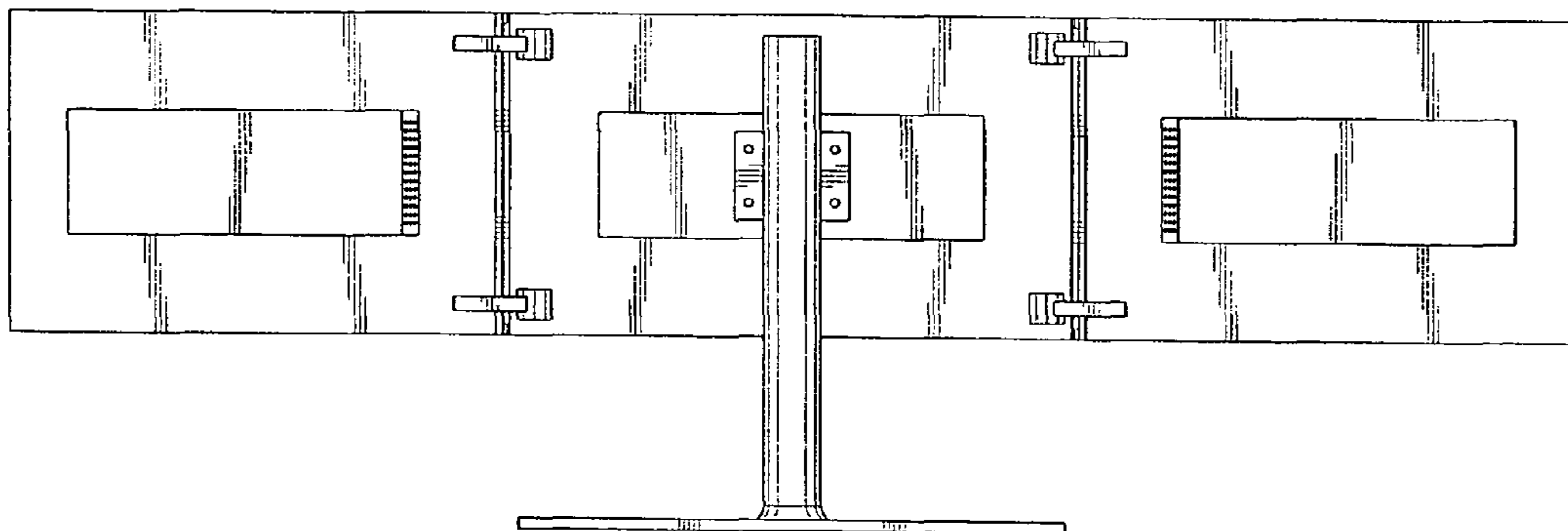


FIG. 3

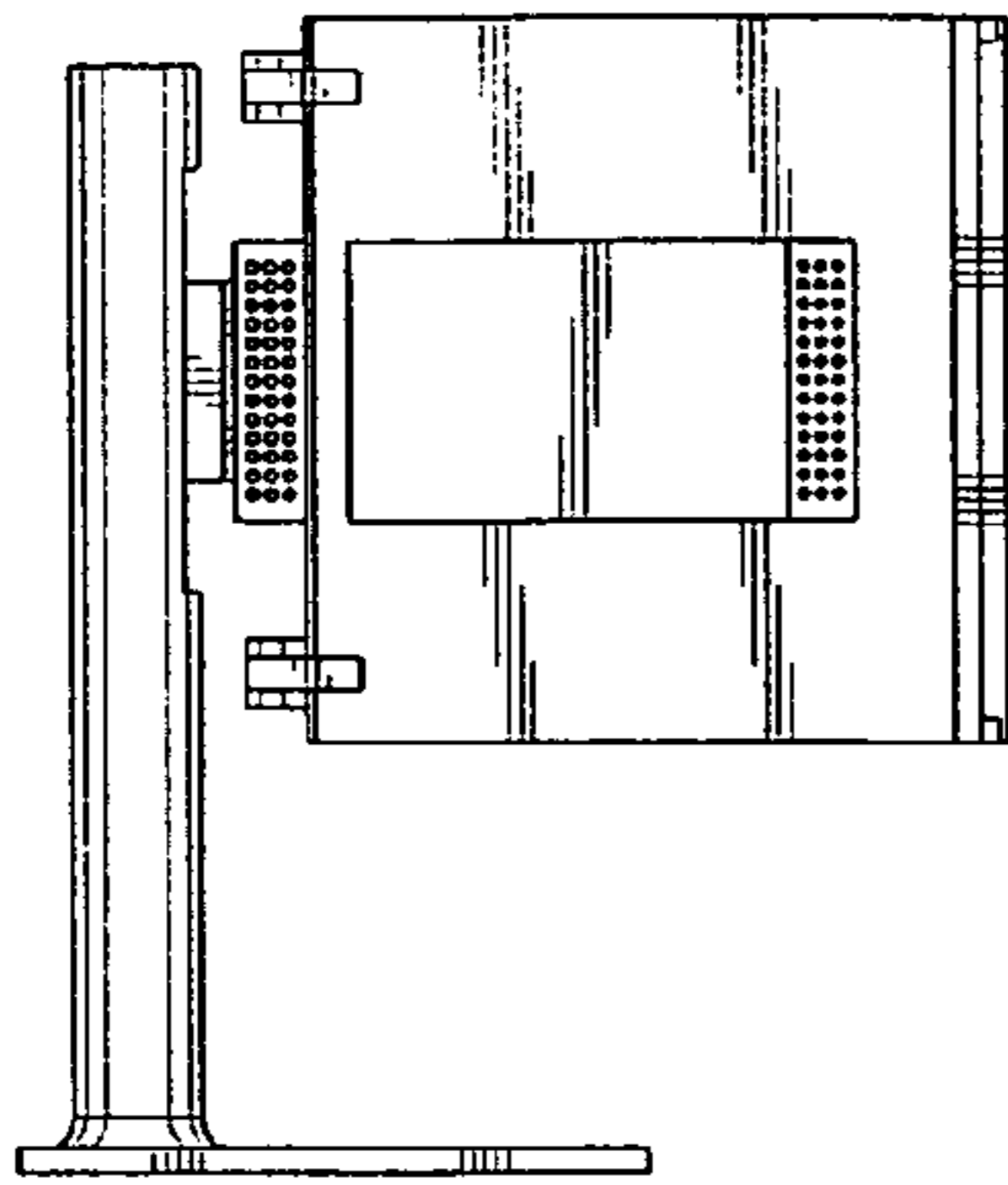


FIG. 4

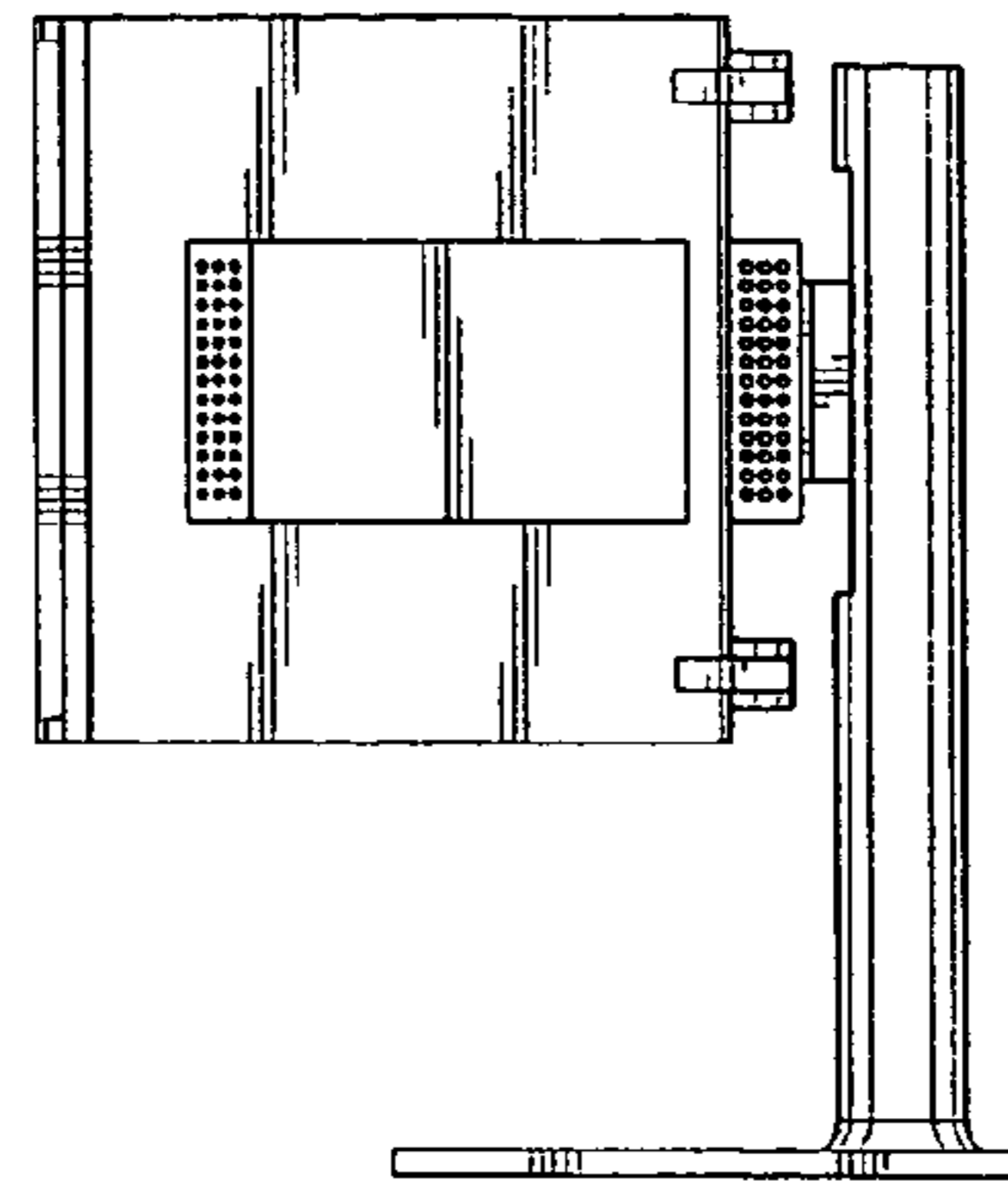


FIG. 5

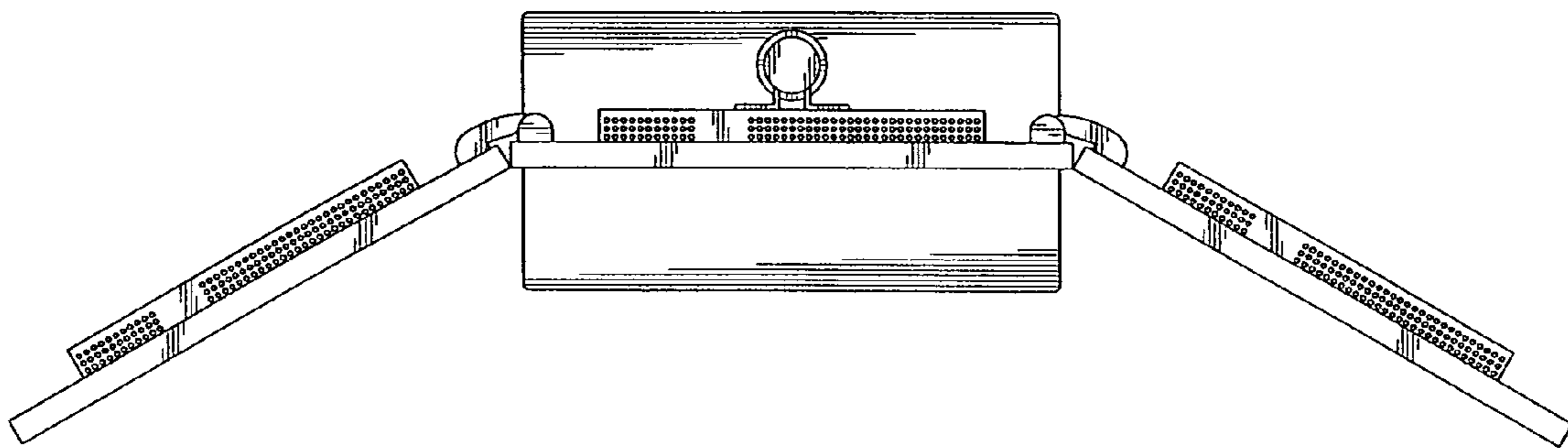


FIG. 6



FIG. 7