



US00D634743S

(12) **United States Design Patent**
Kang et al.

(10) **Patent No.:** **US D634,743 S**
(45) **Date of Patent:** **** Mar. 22, 2011**

(54) **DIGITAL HANDWRITING BOARD**

(75) Inventors: **Shu-Hsuan Kang**, San-Chung (TW);
Fan Chang, San-Chung (TW);
Ku-Ching Lu, San-Chung (TW)

(73) Assignee: **Winmate Communication Inc.**, Taipei
(TW)

(**) Term: **14 Years**

(21) Appl. No.: **29/367,804**

(22) Filed: **Aug. 13, 2010**

(51) **LOC (9) Cl.** **14-02**

(52) **U.S. Cl.** **D14/341**

(58) **Field of Classification Search** D14/341-347,
D14/137, 138, 138.1, 138 AA, 138 R, 138 AB,
D14/138 G, 138 A, 496, 426, 429, 129, 130,
D14/420, 439-441, 448, 125-126, 147, 156,
D14/218, 250, 336, 203.1, 203.3, 203.4, 203.7,
D14/315, 388-390, 485-486; D21/324,
D21/329, 330; D10/65, 104; 345/169, 901,
345/905, 156, 157, 168, 173; 379/433.04,
379/433.07, 433.11, 916, 433.01, 433.06;
361/680, 686, 679.27, 679.3

See application file for complete search history.

(56) **References Cited**

U.S. PATENT DOCUMENTS

D313,409 S * 1/1991 Chowdhree et al. D14/389
D373,576 S * 9/1996 Liggett D14/341

D548,734 S * 8/2007 Huttunen et al. D14/341
D587,261 S * 2/2009 Skaf et al. D14/341
D589,961 S * 4/2009 Hackenberg et al. D14/388

OTHER PUBLICATIONS

<http://www.winmate.com>; no publishing date; Compact Interactive Whiteboard Touch Writing Pad; captured from the internet Jan. 6, 2011.*

<http://www.computextaipei.com>; copyright 2009; 10.1 inch Education Tablet PC; captured from the internet Jan. 6, 2011.*

* cited by examiner

Primary Examiner — Cathron C Brooks

Assistant Examiner — Barbara Fox

(74) *Attorney, Agent, or Firm* — Chun-Ming Shih; HDLS IPR Services

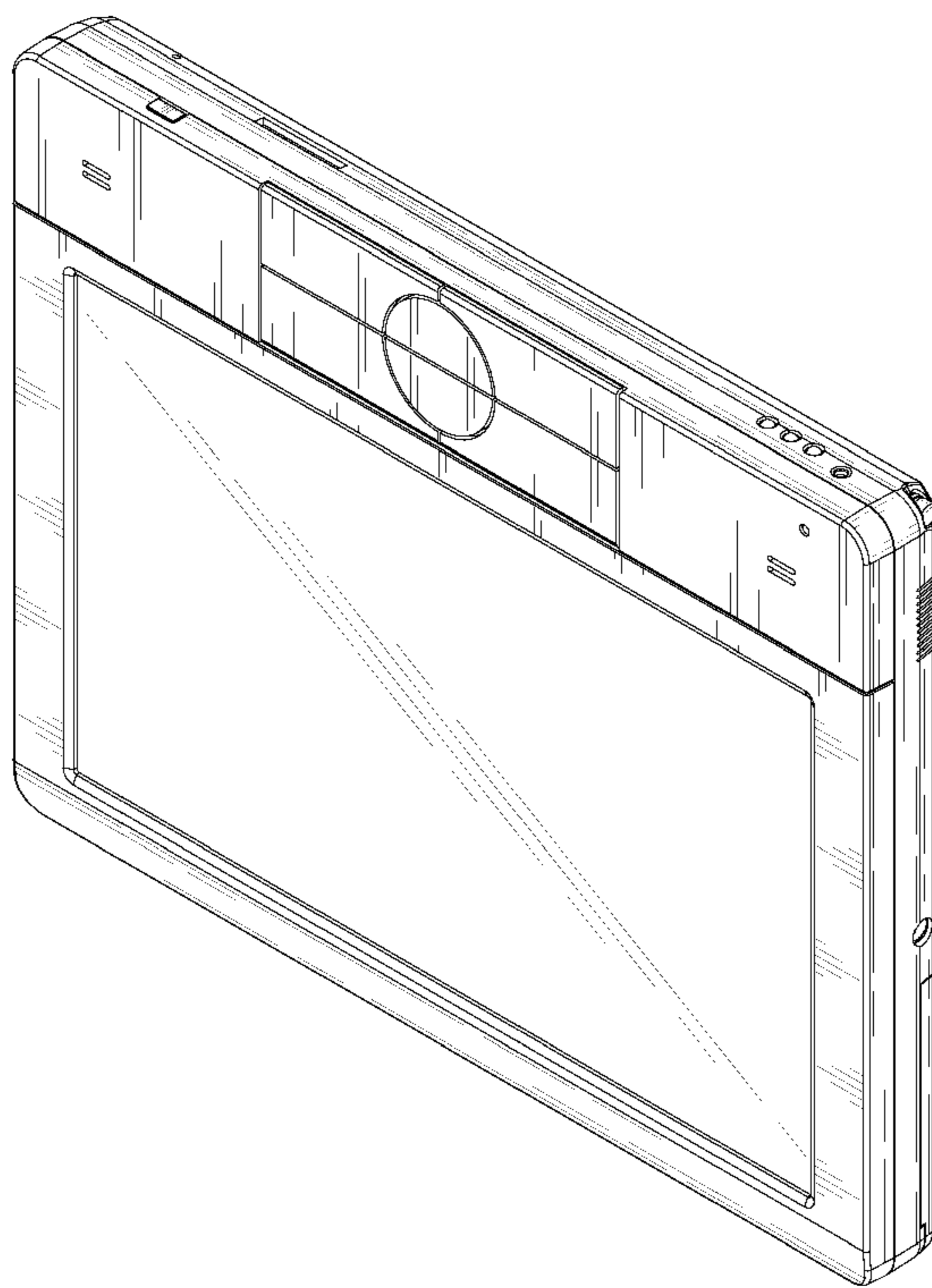
(57) **CLAIM**

The ornamental design for a digital handwriting board, as shown and described.

DESCRIPTION

FIG. 1 is a perspective view of a digital handwriting board showing my new design;
FIG. 2 is a front view thereof;
FIG. 3 is a rear view thereof;
FIG. 4 is a left side view thereof;
FIG. 5 is a right side view thereof;
FIG. 6 is a top view thereof;
FIG. 7 is a bottom view thereof; and,
FIG. 8 is another perspective view showing the digital handwriting board.

1 Claim, 6 Drawing Sheets



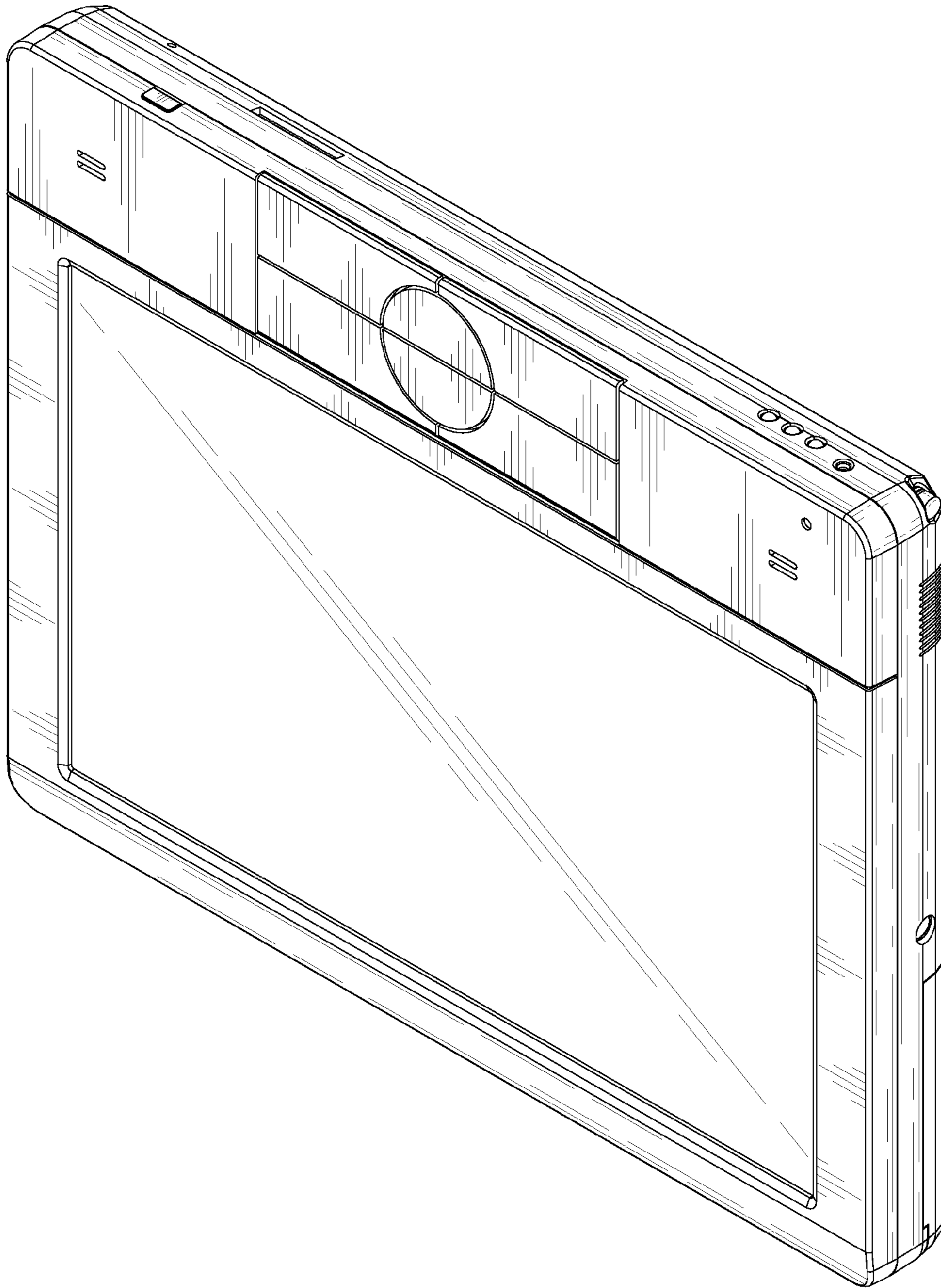


FIG.1

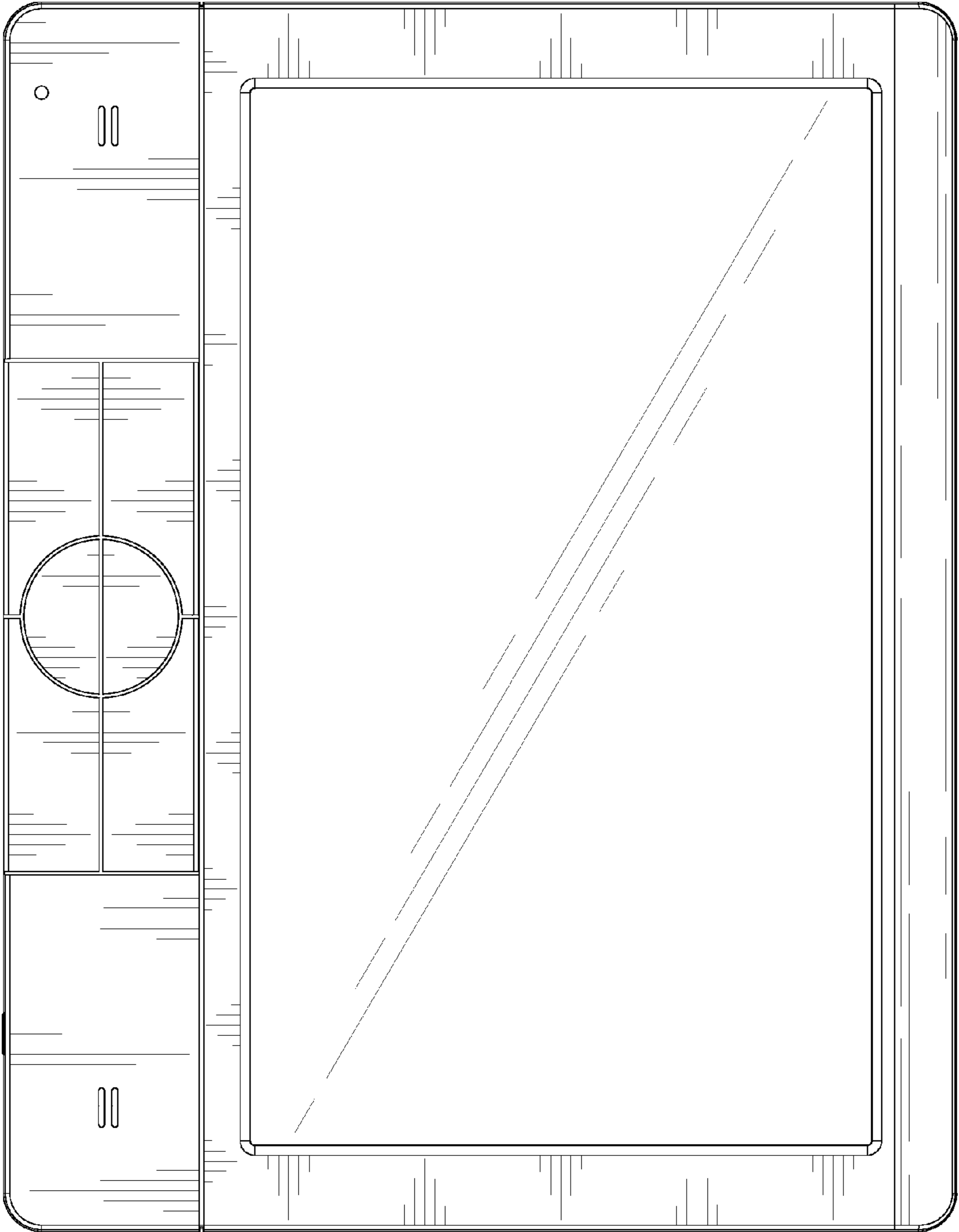


FIG.2

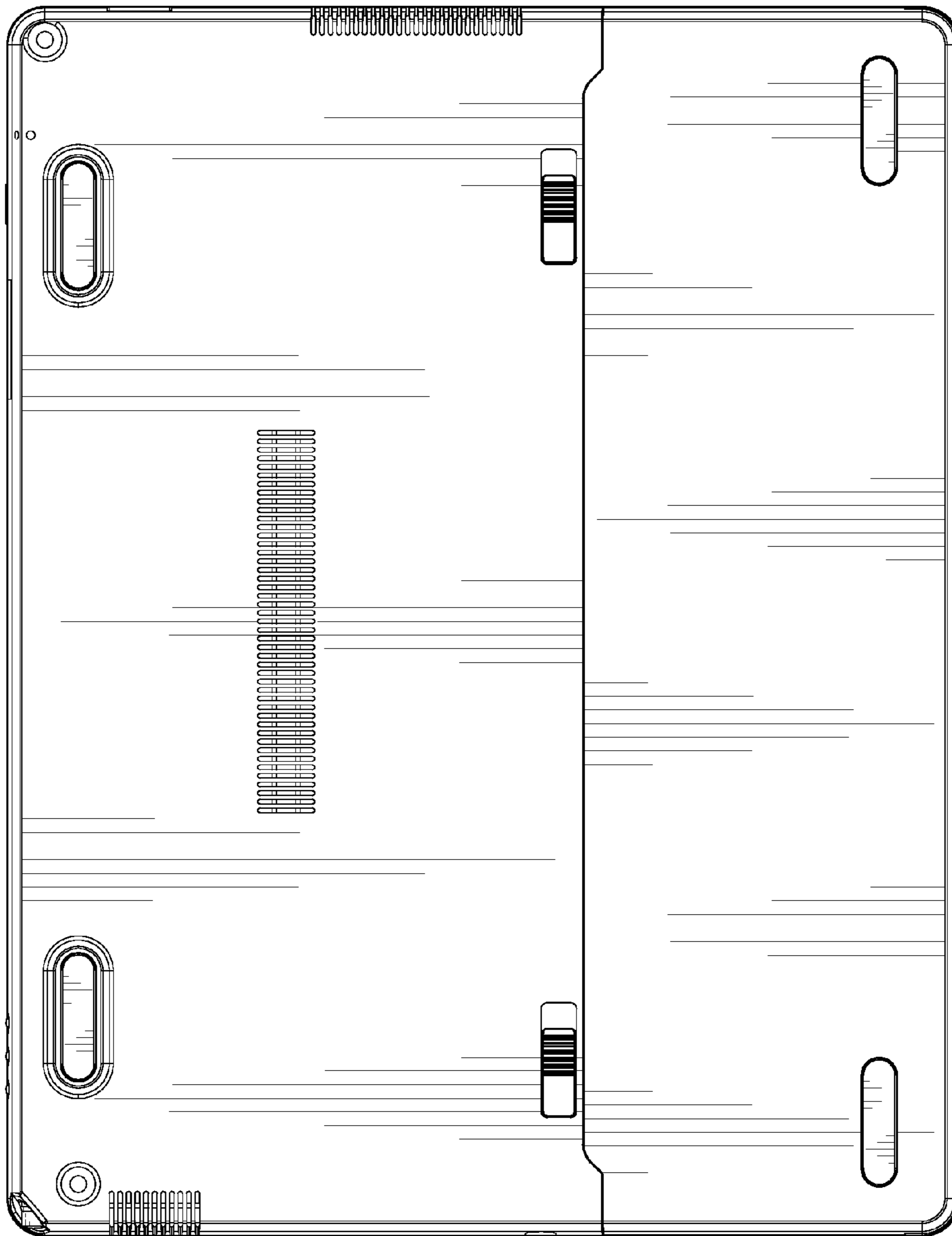


FIG.3

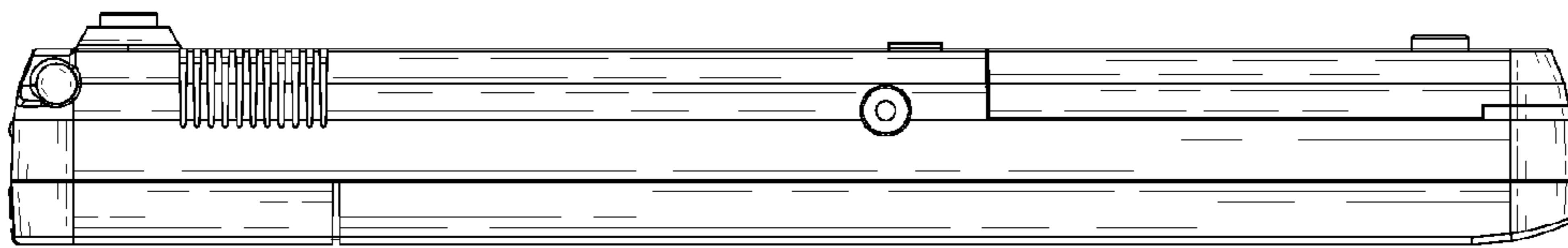


FIG. 5

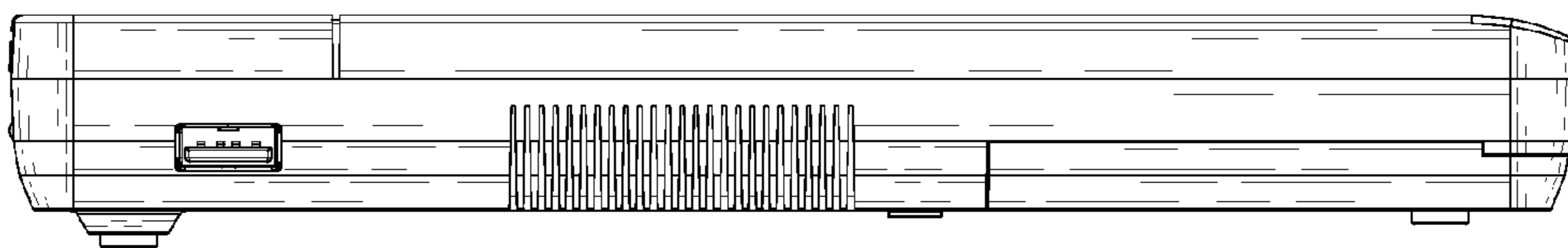


FIG. 4



FIG. 6

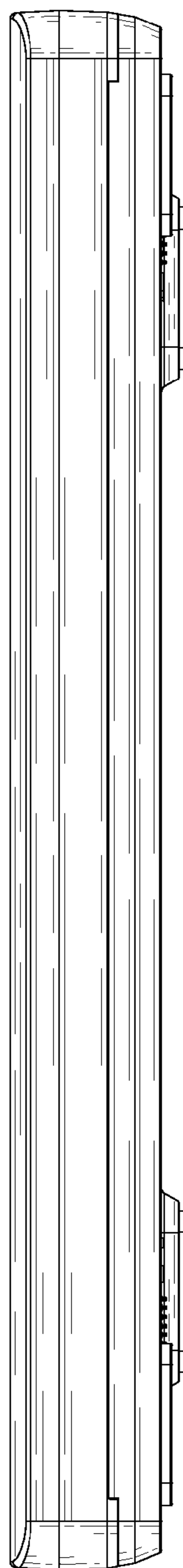


FIG. 7

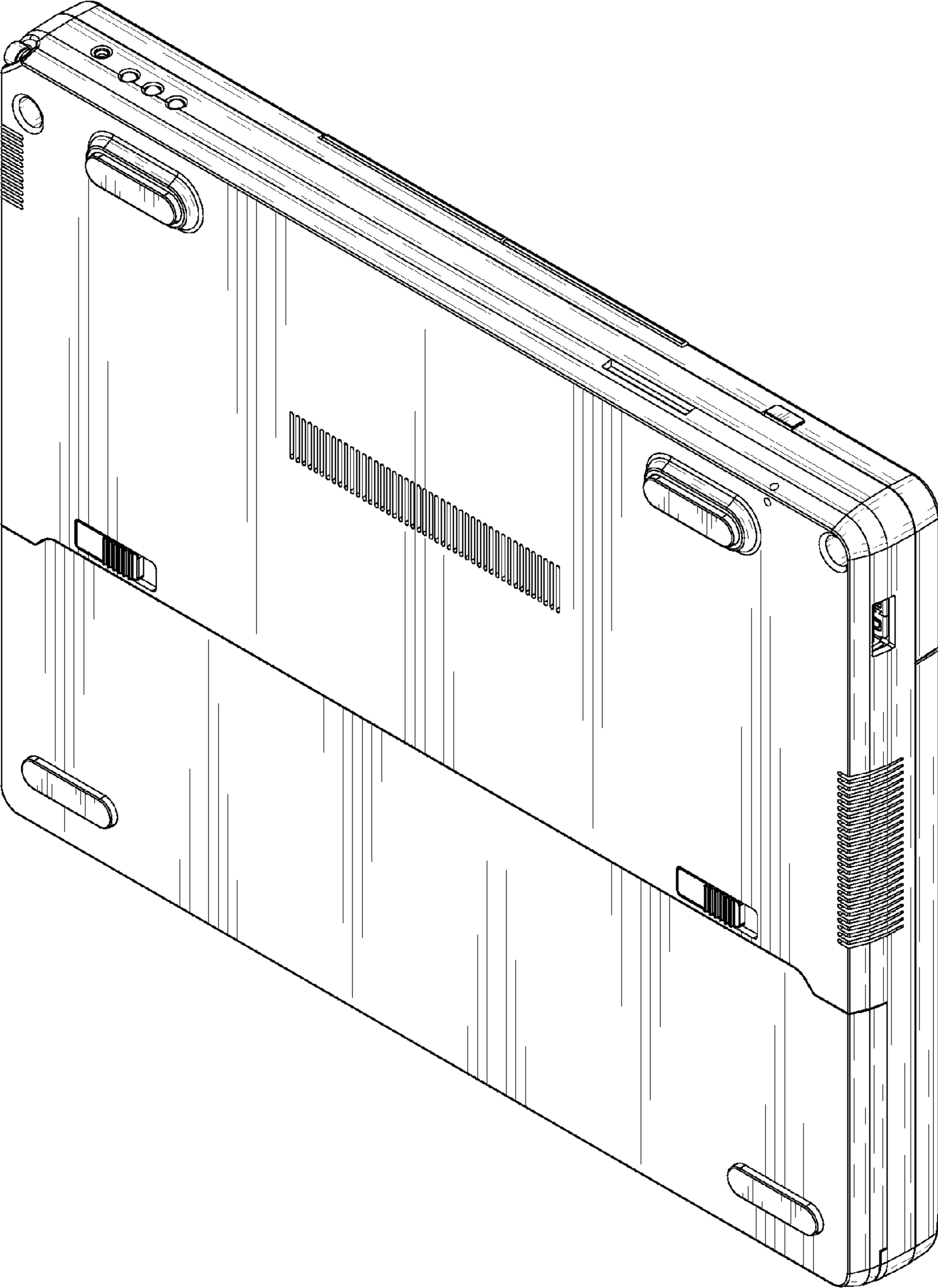


FIG.8