



US00D634739S

(12) **United States Design Patent**  
**Molter et al.**

(10) **Patent No.:** **US D634,739 S**  
(45) **Date of Patent:** **\*\* \*Mar. 22, 2011**

(54) **ARTICULATING MOUNTING UNIT FOR AUDIO/VISUAL DEVICES OR THE LIKE**

(75) Inventors: **Daniel E. Molter**, Elmhurst, IL (US);  
**Donald L. Anderson**, Oak Park, IL (US); **Nicanor C. Rancho**, Willowbrook, IL (US)

(73) Assignee: **Peerless Industries, Inc.**, Aurora, IL (US)

(\*) Notice: This patent is subject to a terminal disclaimer.

(\*\*) Term: **14 Years**

(21) Appl. No.: **29/358,109**

(22) Filed: **Mar. 23, 2010**

(51) **LOC (9) Cl.** ..... **14-03**

(52) **U.S. Cl.** ..... **D14/239**

(58) **Field of Classification Search** ..... D14/125-134, D14/239, 371, 136, 374-377; D8/363, 373, D8/349, 394; 248/465, 917-924, 123.11; 348/825, 827, 836, 837, 838, 180, 184, 325, 348/739; 600/443; D6/477-479, 407, 474, D6/460, 461, 468; 312/7.2; 341/12; 345/87, 345/104, 133, 156, 168, 169, 173; 720/605, 720/669, 600, 655; 369/99, 197; 455/344-347; 349/1, 2, 11, 62; 108/59, 91, 92, 96; 211/40, 211/41.12, 42, 49.1, 50, 85.2, 90.04, 187, 211/190, 119.003, 134.153, 87.01, 71.01  
See application file for complete search history.

(56) **References Cited**

**U.S. PATENT DOCUMENTS**

D271,937 S *	12/1983	Combs	.....	D8/83
D292,771 S *	11/1987	Kim	.....	D8/25
D387,964 S *	12/1997	Urvoy	.....	D8/83
D400,430 S *	11/1998	McDonough et al.	.....	D8/387
6,079,298 A *	6/2000	Gasperi et al.	.....	81/63.1
6,138,531 A *	10/2000	Lamons	.....	81/60

D470,369 S *	2/2003	Byram et al.	.....	D8/25
D472,947 S *	4/2003	Wu	.....	D21/694
D488,708 S	4/2004	Lam et al.		
D489,599 S	5/2004	Lam		
D496,367 S	9/2004	Pfister		
D496,845 S *	10/2004	Smeja et al.	.....	D8/107
D505,858 S	6/2005	O'Keene		
6,905,101 B1	6/2005	Dittmer		
D507,477 S	7/2005	Pfister		
7,240,527 B2 *	7/2007	Boyd	.....	70/456 R
7,243,892 B2	7/2007	Pfister		
D549,558 S	8/2007	Dittmer et al.		
D556,205 S	11/2007	Wohlford et al.		

(Continued)

**OTHER PUBLICATIONS**

U.S. Appl. No. 29/358,115, filed Mar. 23, 2010, Molter et al.

(Continued)

*Primary Examiner* — Raphael Barkai

*Assistant Examiner* — Randall Gholson

(74) *Attorney, Agent, or Firm* — Foley & Lardner LLP

(57) **CLAIM**

We claim the ornamental design for an articulating mounting unit for audio/visual devices or the like, as shown and described.

**DESCRIPTION**

FIG. 1 is a top perspective view of an articulating mounting unit for audio/visual devices or the like showing our new design;

FIG. 2 is a bottom perspective view thereof;

FIG. 3 is a right side elevational view thereof;

FIG. 4 is a left side elevational view thereof;

FIG. 5 is a front elevational view thereof;

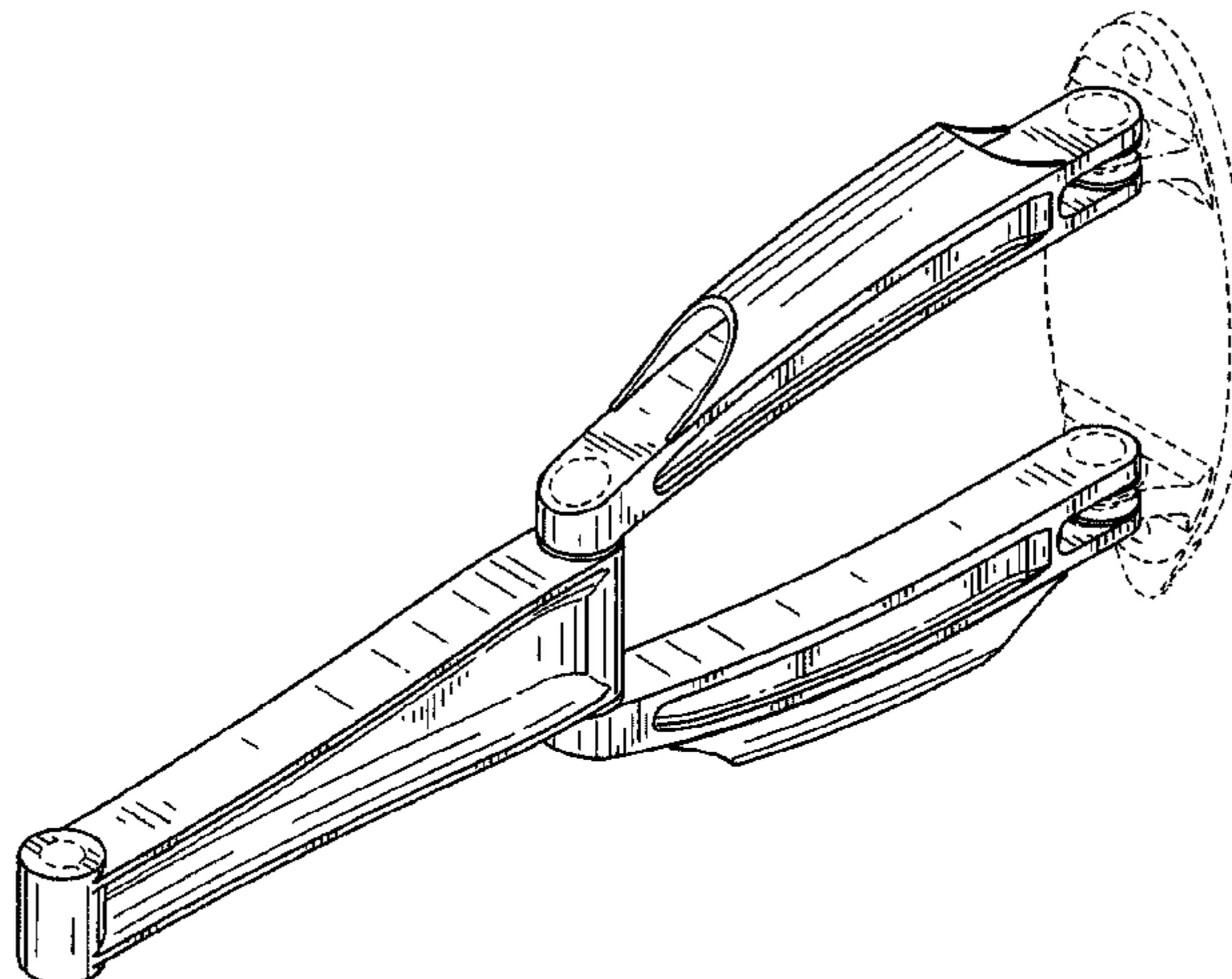
FIG. 6 is a rear elevational view thereof;

FIG. 7 is a top plan view thereof; and,

FIG. 8 is a bottom plan view thereof.

The broken lines shown are for illustrative purposes only and form no part of the claimed design.

**1 Claim, 6 Drawing Sheets**



# US D634,739 S

Page 2

---

## U.S. PATENT DOCUMENTS

D558,560 S 1/2008 Ciungan  
D558,561 S 1/2008 Ciungan  
D558,562 S 1/2008 Ciungan et al.  
D558,563 S 1/2008 Ciungan  
D558,564 S 1/2008 Ciungan  
D559,087 S 1/2008 Ciungan  
D559,088 S 1/2008 Ciungan  
D559,662 S \* 1/2008 Sculler et al. .... D8/380  
D562,113 S 2/2008 Ciungan et al.  
D568,890 S \* 5/2008 Sculler et al. .... D14/451  
7,380,760 B2 6/2008 Dittmer  
7,387,286 B2 6/2008 Dittmer et al.  
7,438,269 B2 10/2008 Pfister et al.  
7,448,300 B2 \* 11/2008 Barniak, Jr. .... 81/124.2  
7,487,943 B1 2/2009 Gillespie  
7,513,469 B1 4/2009 Ciungan

D595,723 S 7/2009 Bures et al.  
D605,185 S 12/2009 Russell et al.  
7,641,163 B2 1/2010 O'Keene  
2008/0151483 A1 6/2008 Holbrook et al.

## OTHER PUBLICATIONS

U.S. Appl. No. 29/358,112, filed Mar. 23, 2010, Molter et al.  
U.S. Appl. No. 29/358,120, filed Mar. 23, 2010, Molter et al.  
U.S. Appl. No. 29/357,061, filed Mar. 5, 2010, Molter et al.  
U.S. Appl. No. 29/357,037, filed Mar. 5, 2010, Molter et al.  
U.S. Appl. No. 29/357,041, filed Mar. 5, 2010, Molter et al.  
U.S. Appl. No. 29/358,151, filed Mar. 23, 2010, Molter et al.  
U.S. Appl. No. 29/358,138, filed Mar. 23, 2010, Molter et al.  
U.S. Appl. No. 29/358,154, filed Mar. 23, 2010, Molter et al.  
U.S. Appl. No. 29/358,110, filed Mar. 23, 2010, Molter et al.

\* cited by examiner

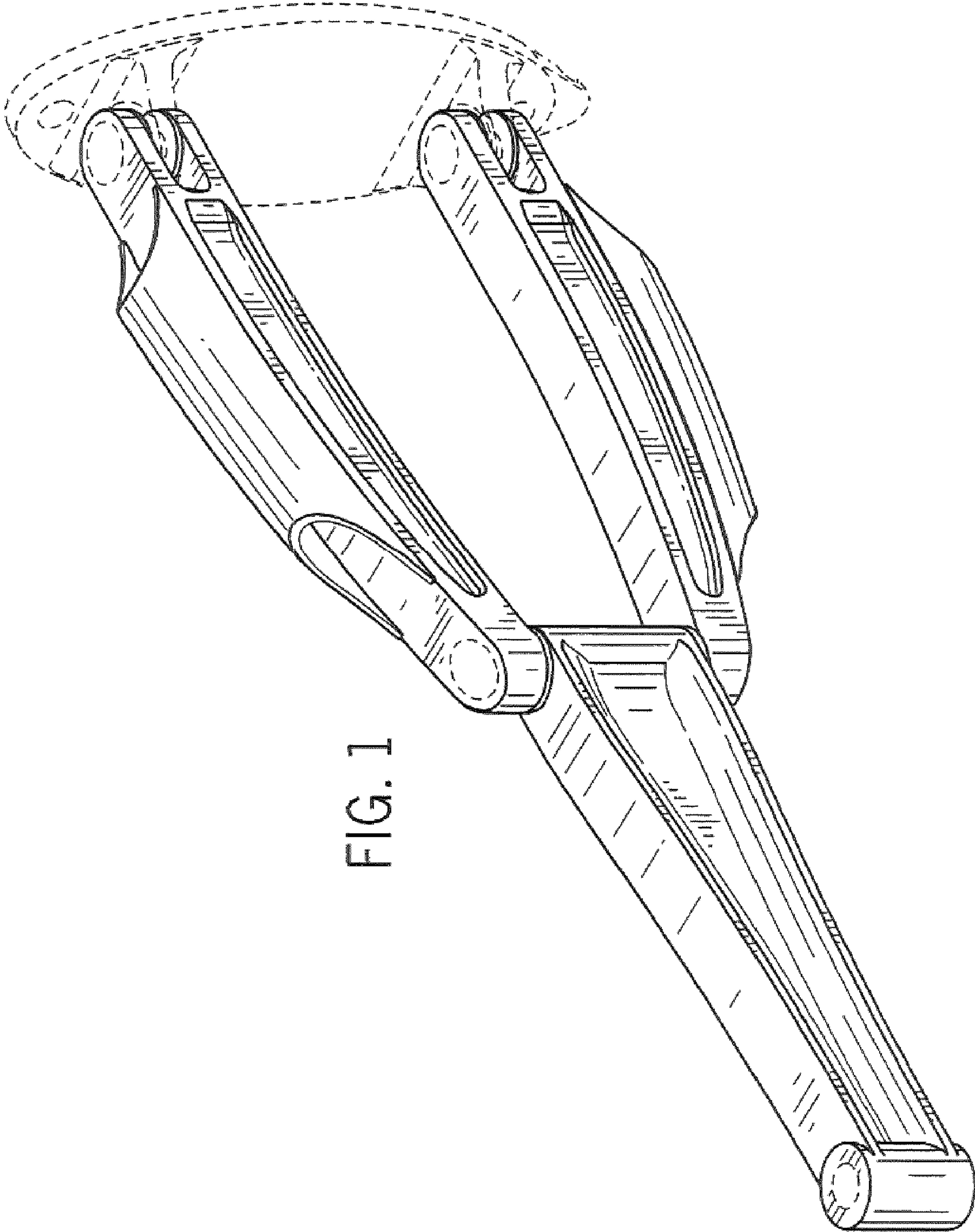


FIG. 1

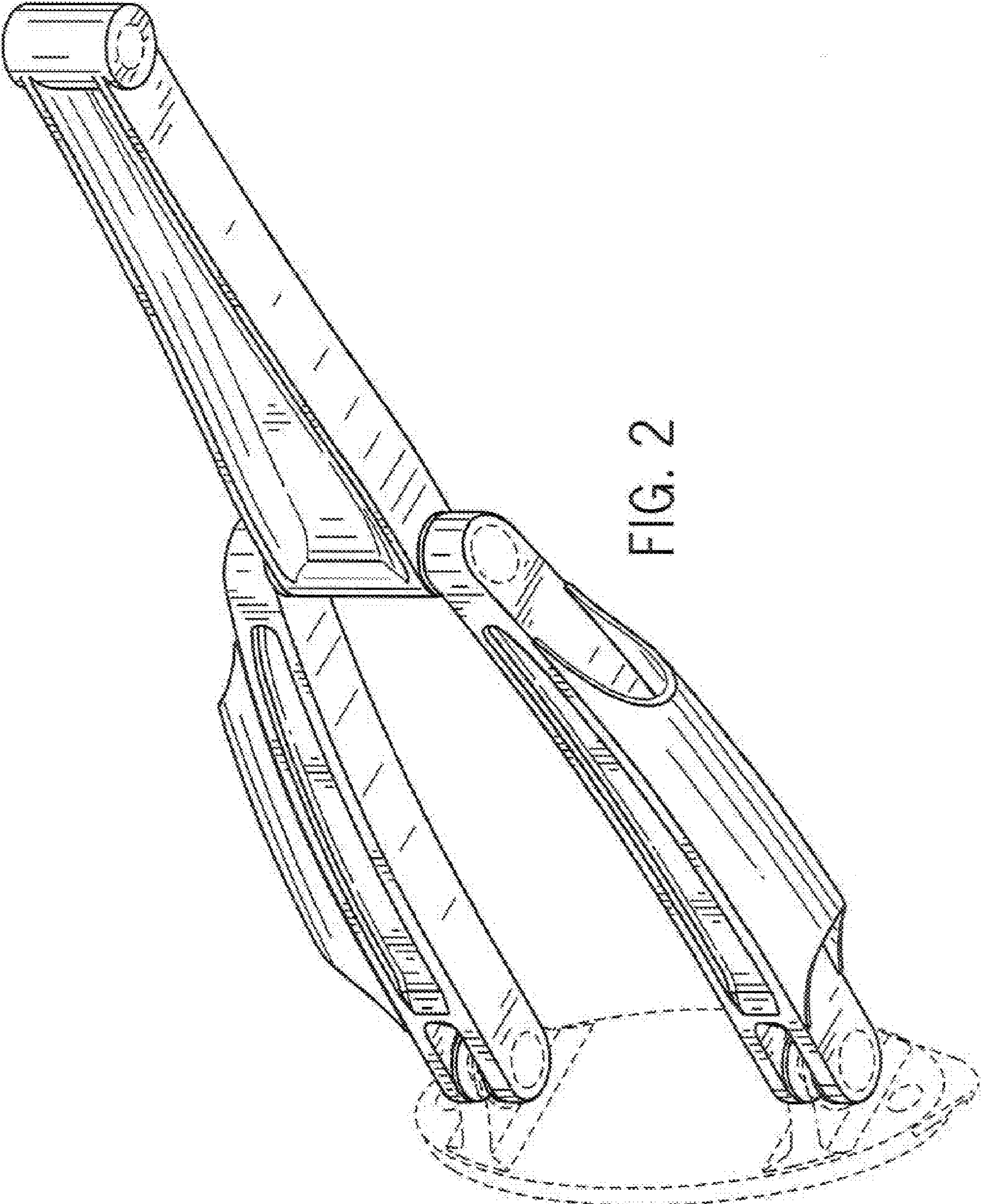


FIG. 2

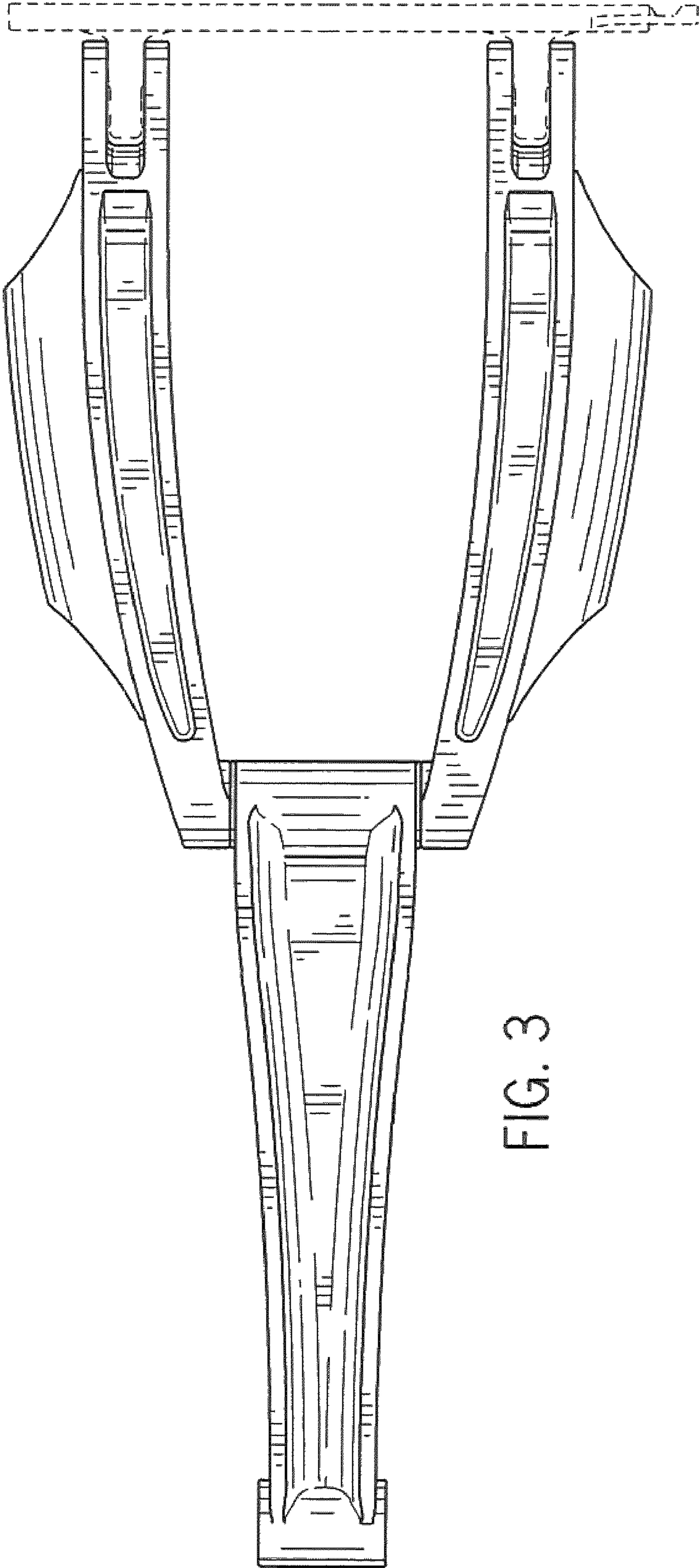


FIG. 3

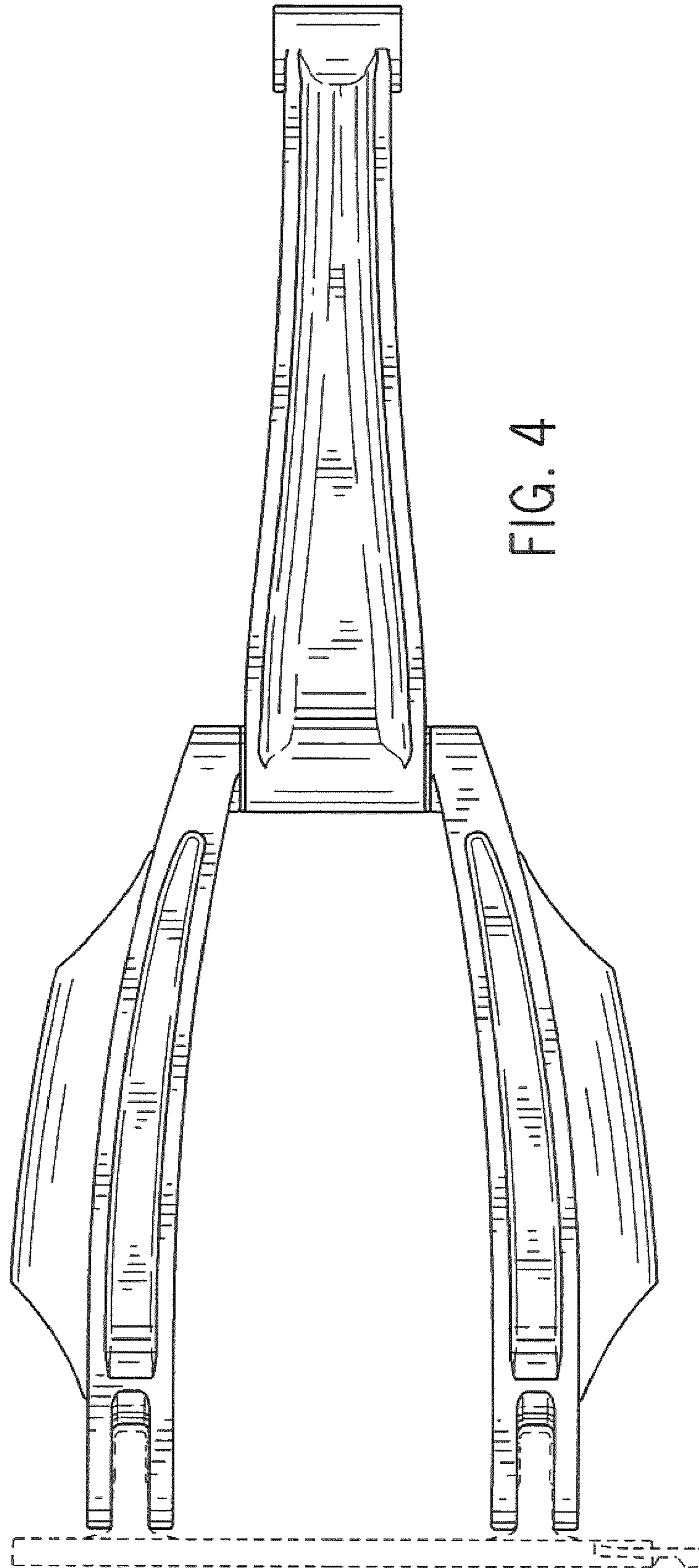


FIG. 4

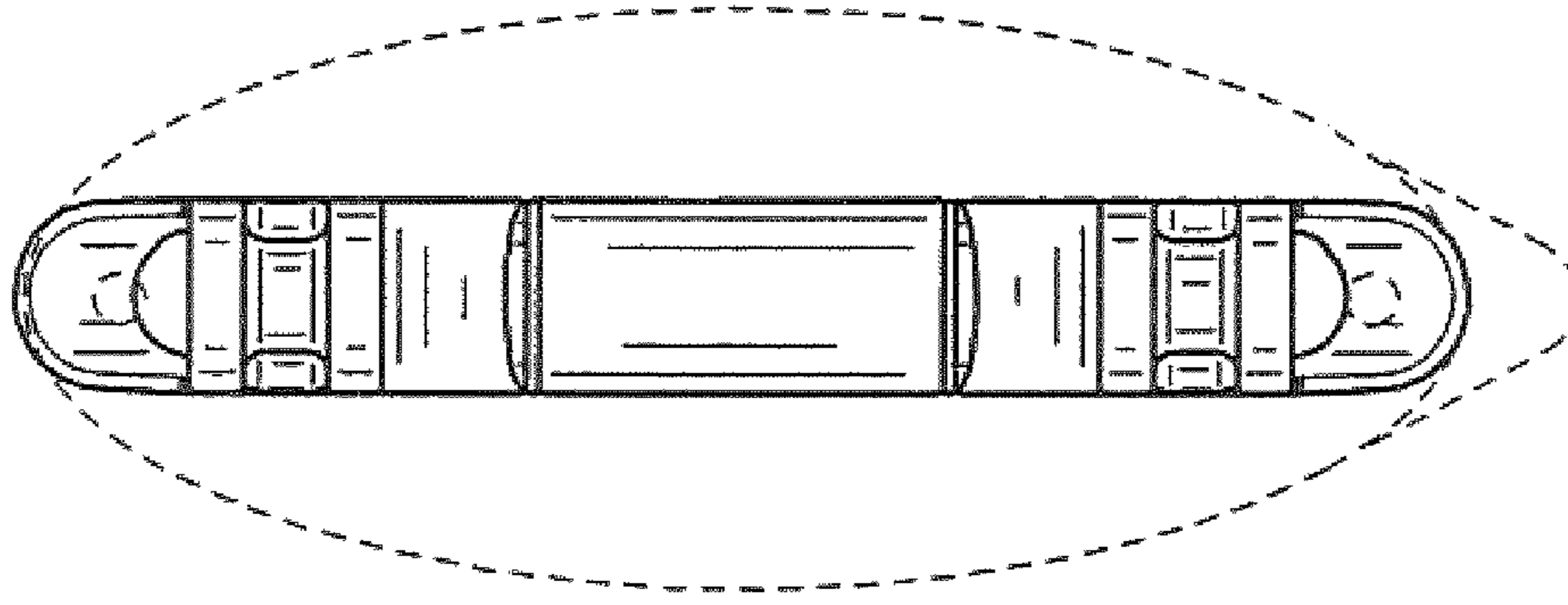


FIG. 6

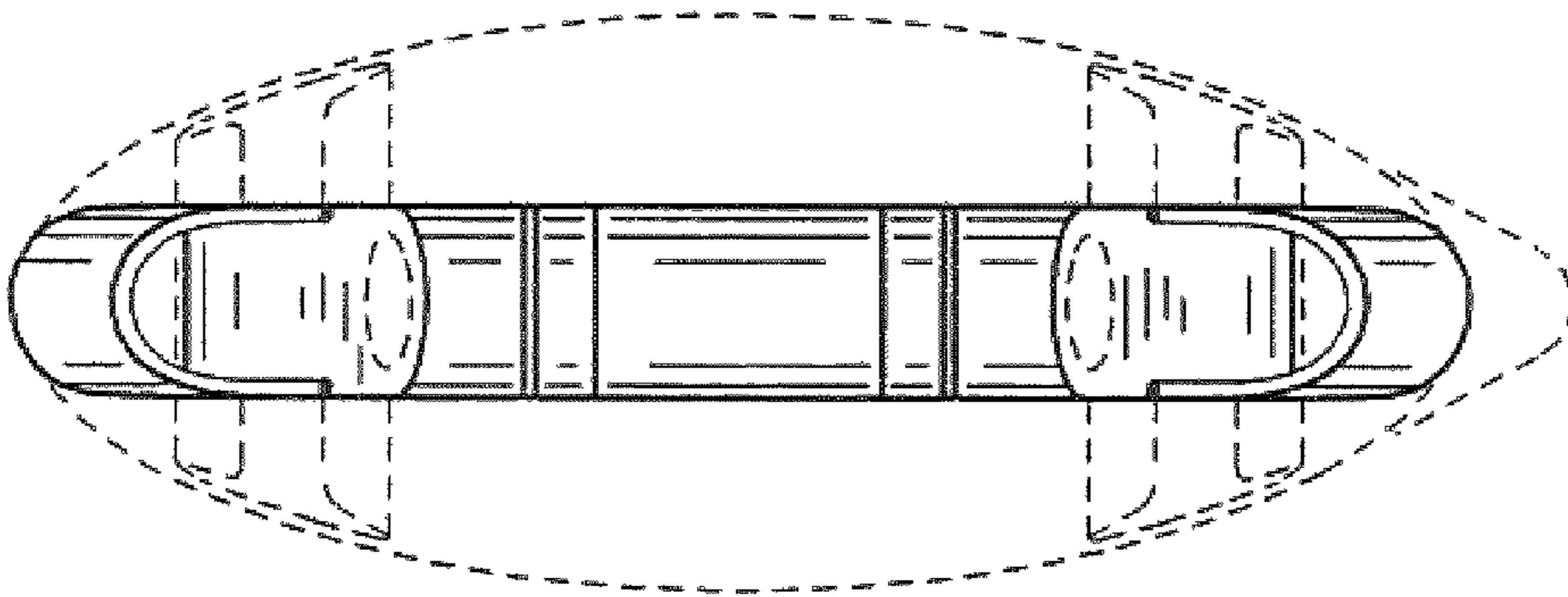


FIG. 5

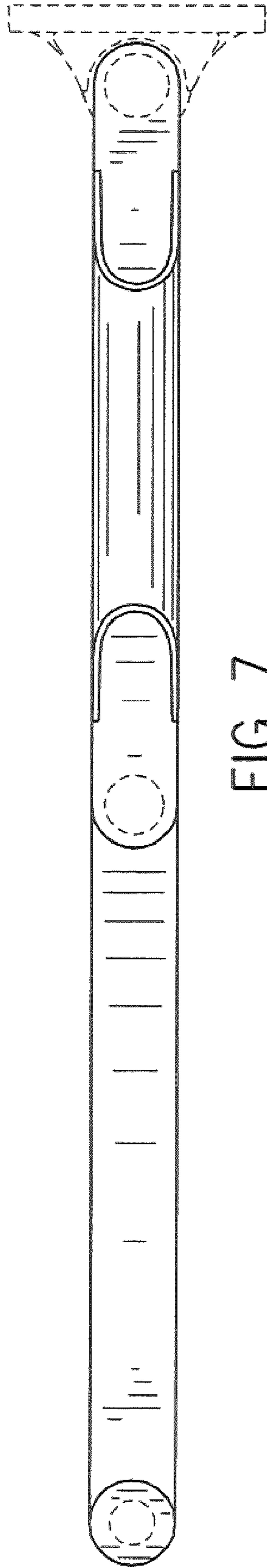


FIG. 7

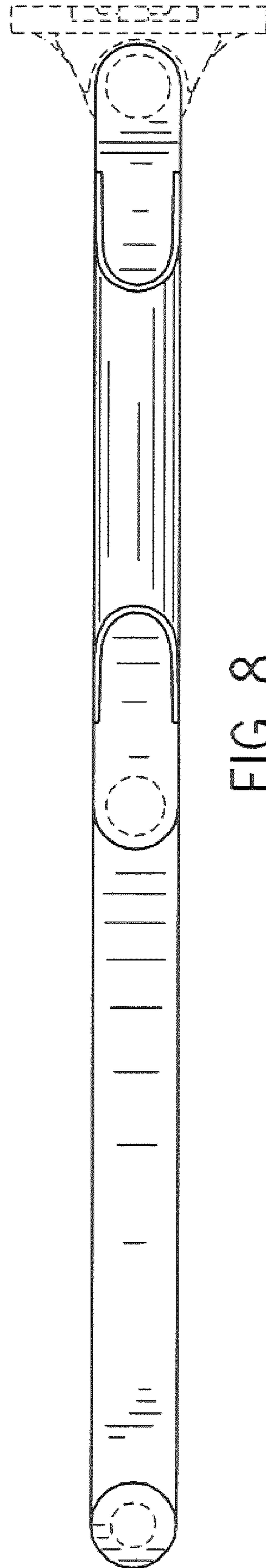


FIG. 8