



US00D634738S

(12) **United States Design Patent**
Lim et al.

(10) **Patent No.:** **US D634,738 S**

(45) **Date of Patent:** **** Mar. 22, 2011**

(54) **RFID ANTENNA**

(75) Inventors: **Chan-Ping Lim**, San Diego, CA (US);
Tsung-Ying Tsai, Yanchao Town (TW)

(73) Assignee: **YFY RFID Technologies Company Limited**, Tortola (VG)

(**) Term: **14 Years**

(21) Appl. No.: **29/303,011**

(22) Filed: **Jan. 30, 2008**

(51) **LOC (9) Cl.** **14-03**

(52) **U.S. Cl.** **D14/230; D14/233**

(58) **Field of Classification Search** D14/138,
D14/230-238, 299, 358, 437; D12/42, 43;
343/700 MS, 700 R-705, 711-713, 741,
343/748, 767, 795, 819, 840, 846, 866, 871-908;
455/90.2, 90.3, 91, 128, 269, 344, 347, 562.1
See application file for complete search history.

(56) **References Cited**

U.S. PATENT DOCUMENTS

2,953,782	A *	9/1960	Byatt	342/428
4,903,033	A	2/1990	Tsao et al.		
4,916,457	A	4/1990	Foy et al.		
5,241,321	A	8/1993	Tsao		
5,448,250	A	9/1995	Day		
5,633,645	A	5/1997	Day		
D382,966	S *	8/1997	Haber et al.	D24/189
6,018,319	A	1/2000	Lindmark		
6,304,226	B1	10/2001	Brown et al.		
6,339,406	B1	1/2002	Nesic et al.		
6,445,346	B2	9/2002	Fathy et al.		
6,452,552	B1	9/2002	Ishitobi et al.		
6,507,320	B2	1/2003	Von Stein et al.		
6,646,618	B2	11/2003	Sievenpiper		

7,126,549 B2 10/2006 Li et al.
7,471,173 B2 * 12/2008 Hidaka et al. 333/204
2005/0040989 A1 * 2/2005 Van Ardenne 343/700 MS

* cited by examiner

Primary Examiner — Celia A Murphy
Assistant Examiner — John Windmuller

(74) *Attorney, Agent, or Firm* — Morris Manning Martin LLP; Tim Tingkang Xia, Esq.

(57) **CLAIM**

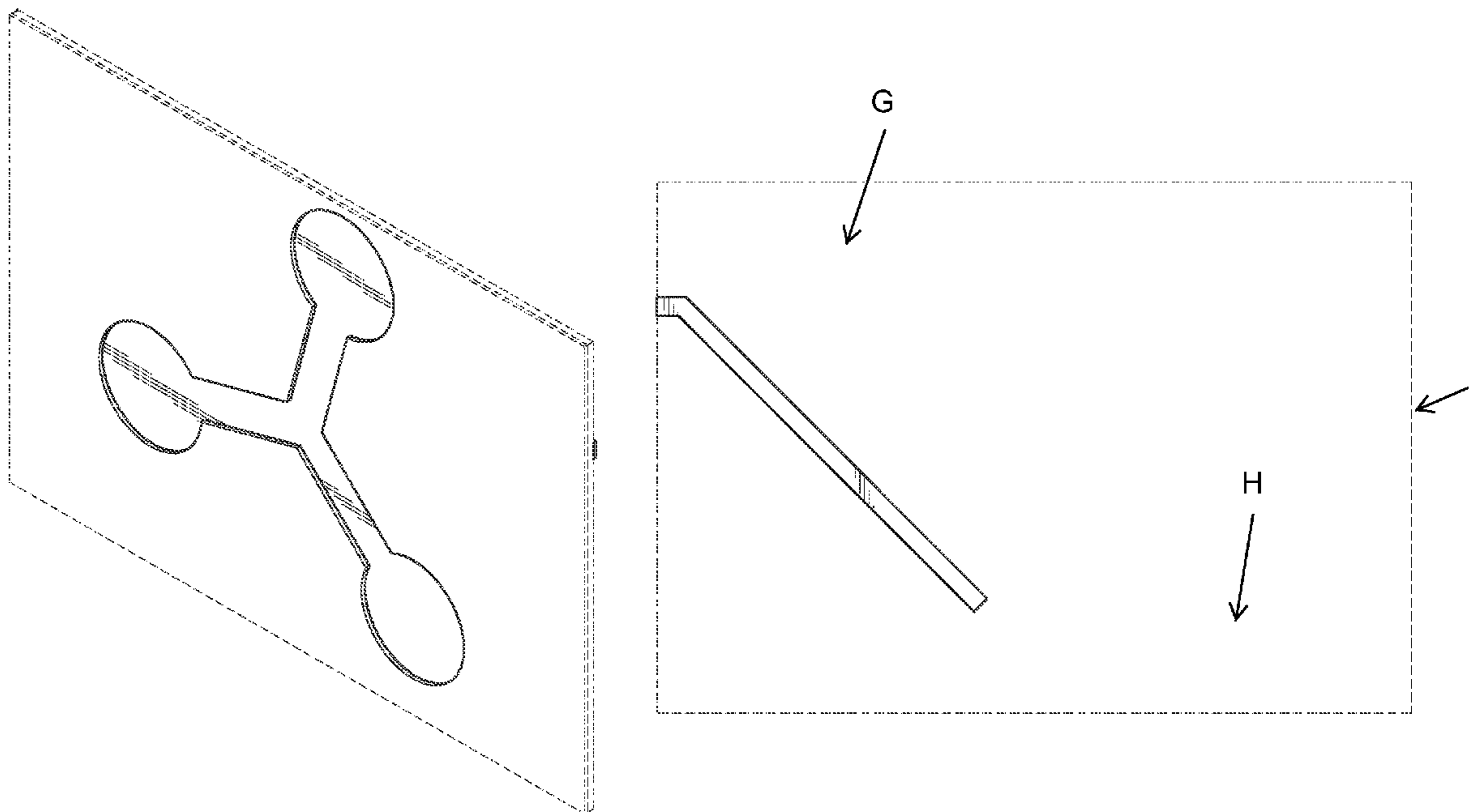
The ornamental design for an RFID antenna, as shown.

DESCRIPTION

FIG. 1 is a perspective view of a first embodiment of an RFID antenna showing our new design;
FIG. 2 is a front elevation view thereof;
FIG. 3 is a rear elevation view thereof;
FIG. 4 is a left side elevation view thereof;
FIG. 5 is a right side elevation view thereof;
FIG. 6 is a top plan view thereof;
FIG. 7 is a bottom top plan view thereof;
FIG. 8 is a perspective view of a second embodiment of an RFID antenna showing our new design;
FIG. 9 is a front elevation view thereof;
FIG. 10 is a rear elevation view thereof;
FIG. 11 is a left side elevation view thereof;
FIG. 12 is a right side elevation view thereof;
FIG. 13 is a top plan view thereof; and,
FIG. 14 is a bottom top plan view thereof.

In the drawings, the broken lines depict environmental subject matter only and form no part of the claimed design. The large, generally rectangular surfaces are not part of the claimed design.

1 Claim, 10 Drawing Sheets



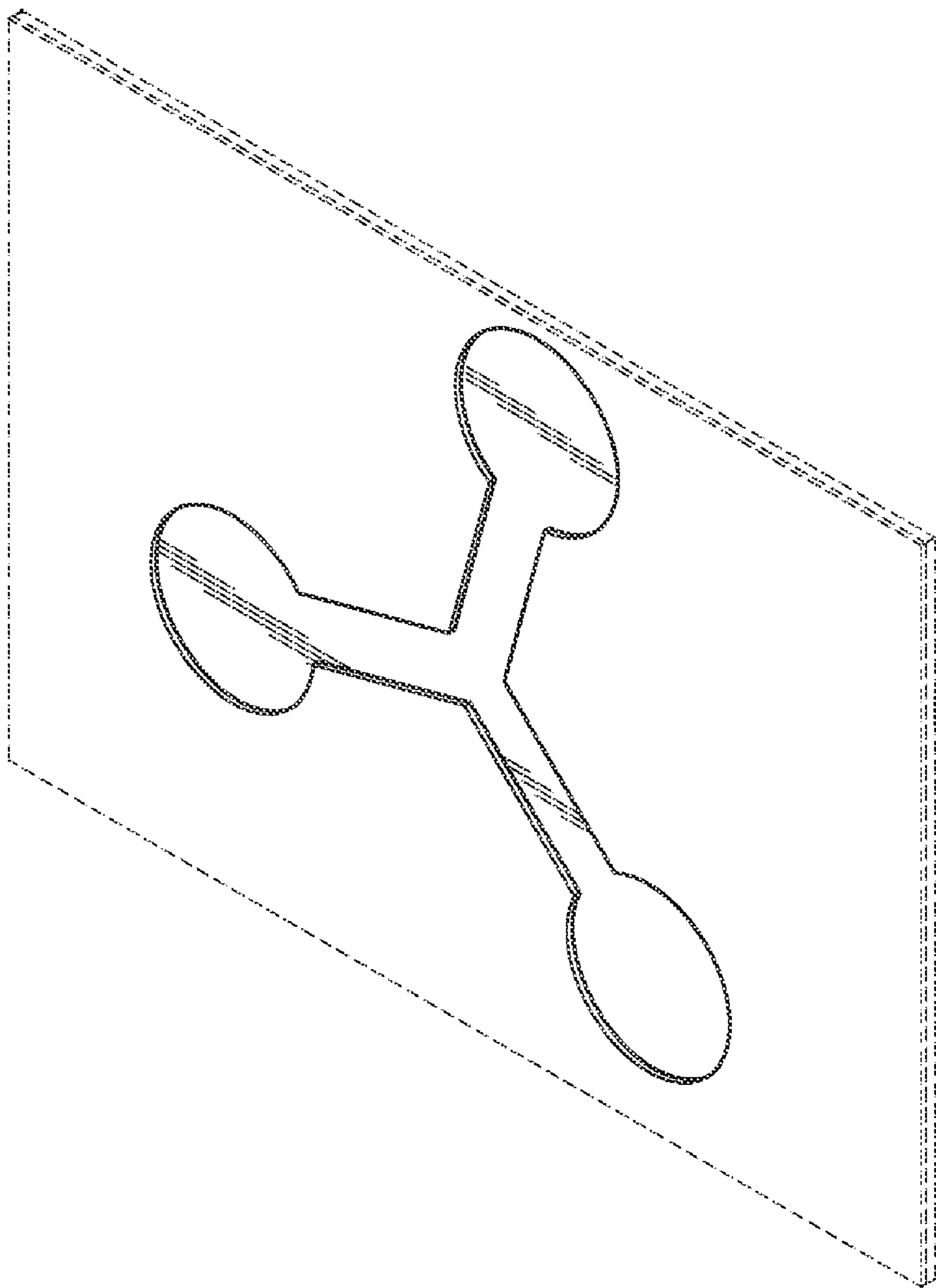


FIG. 1

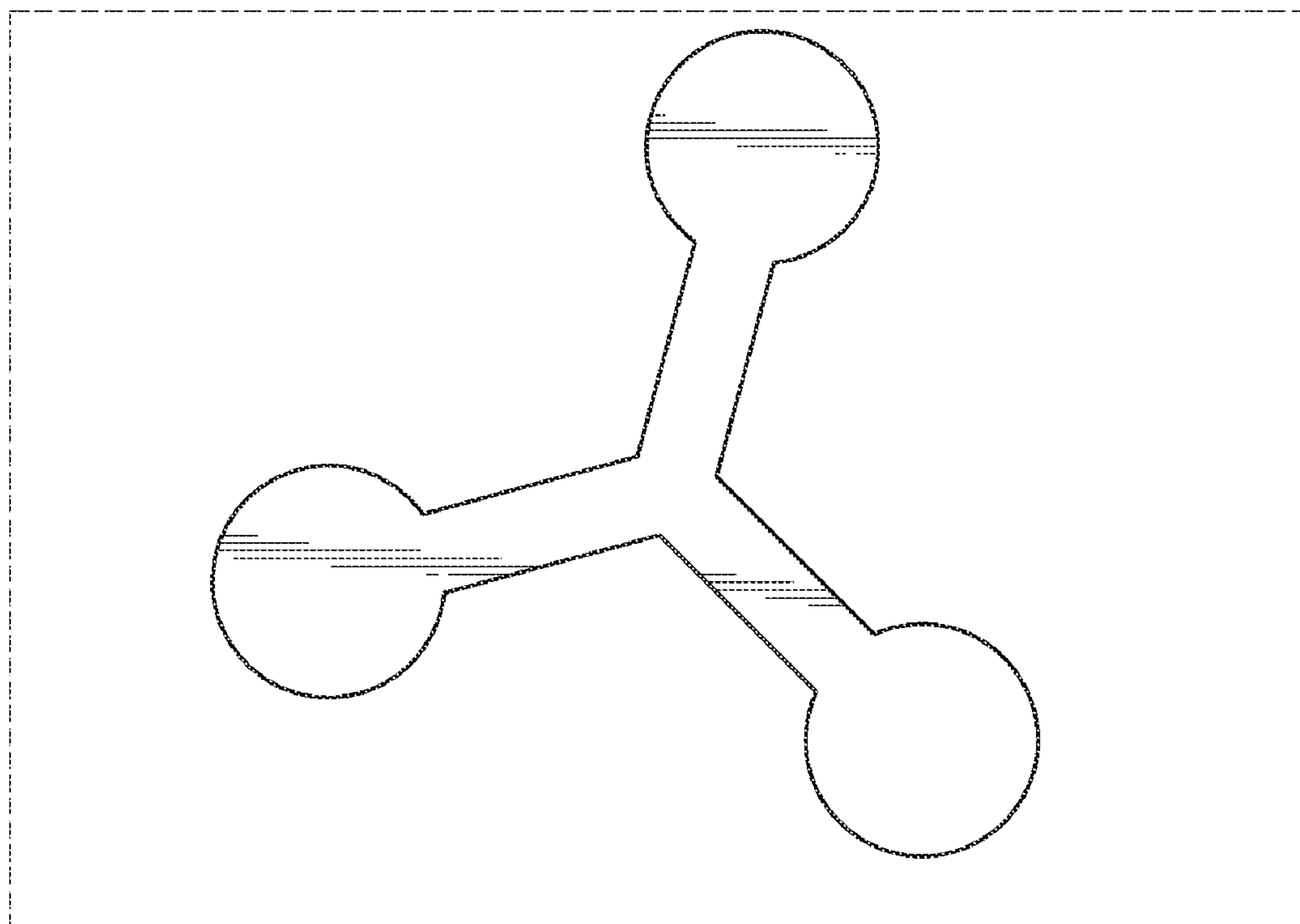


FIG. 2

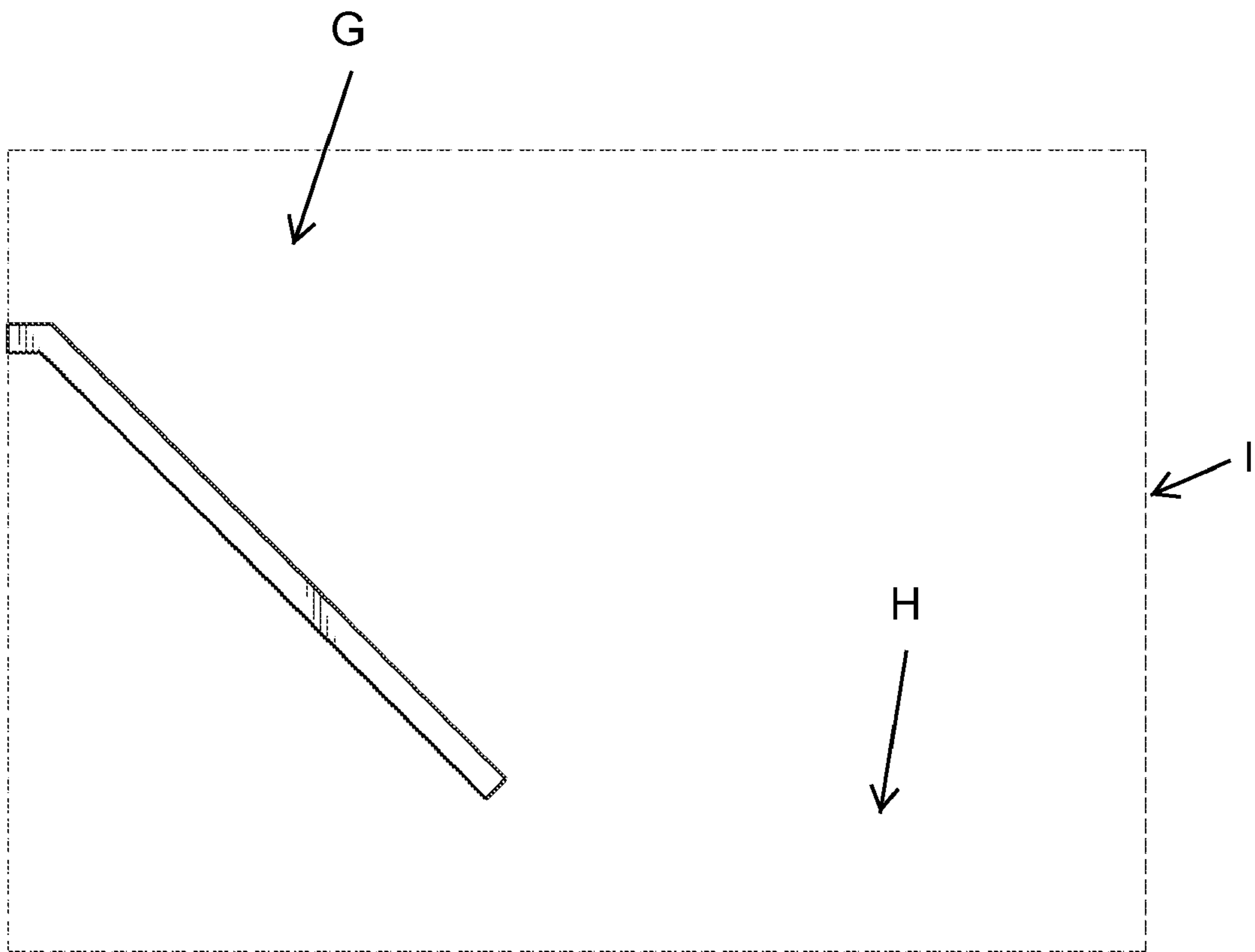


FIG. 3

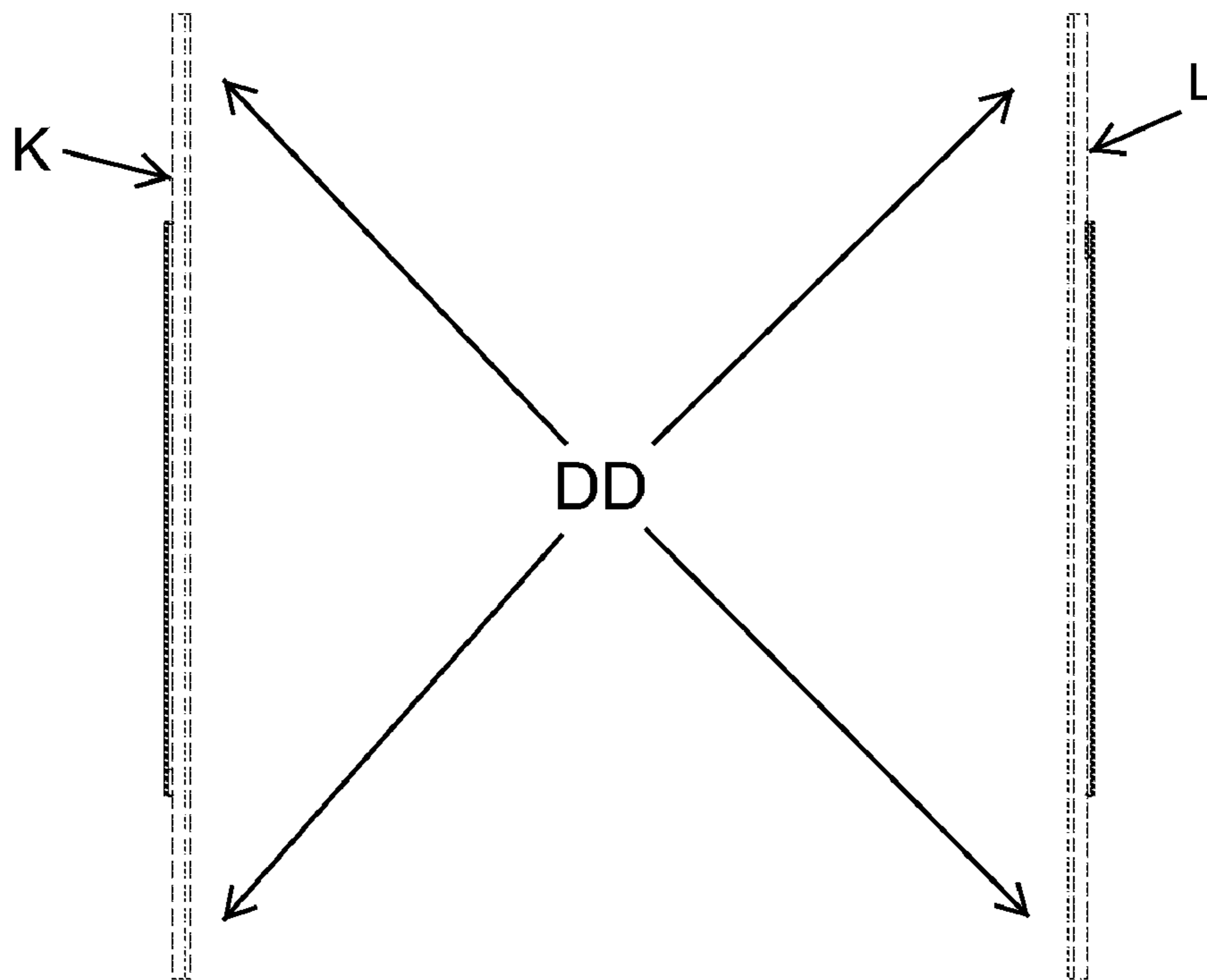


FIG. 4

FIG. 5

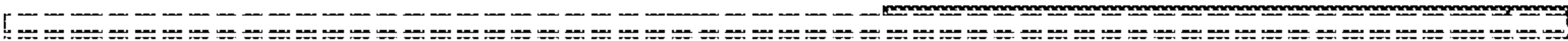


FIG. 6

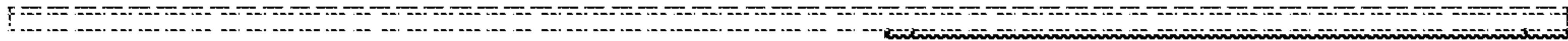


FIG. 7

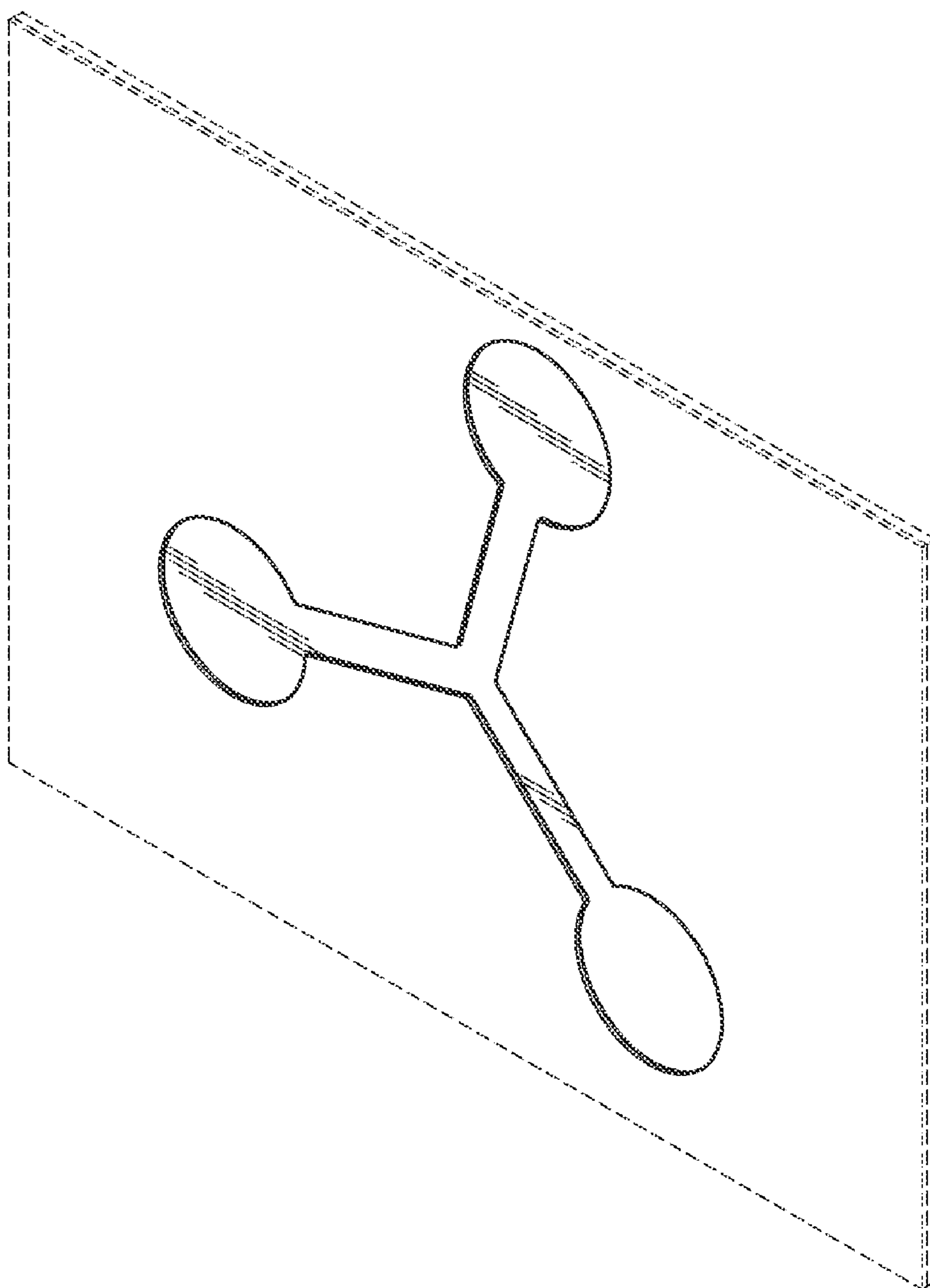


FIG. 8

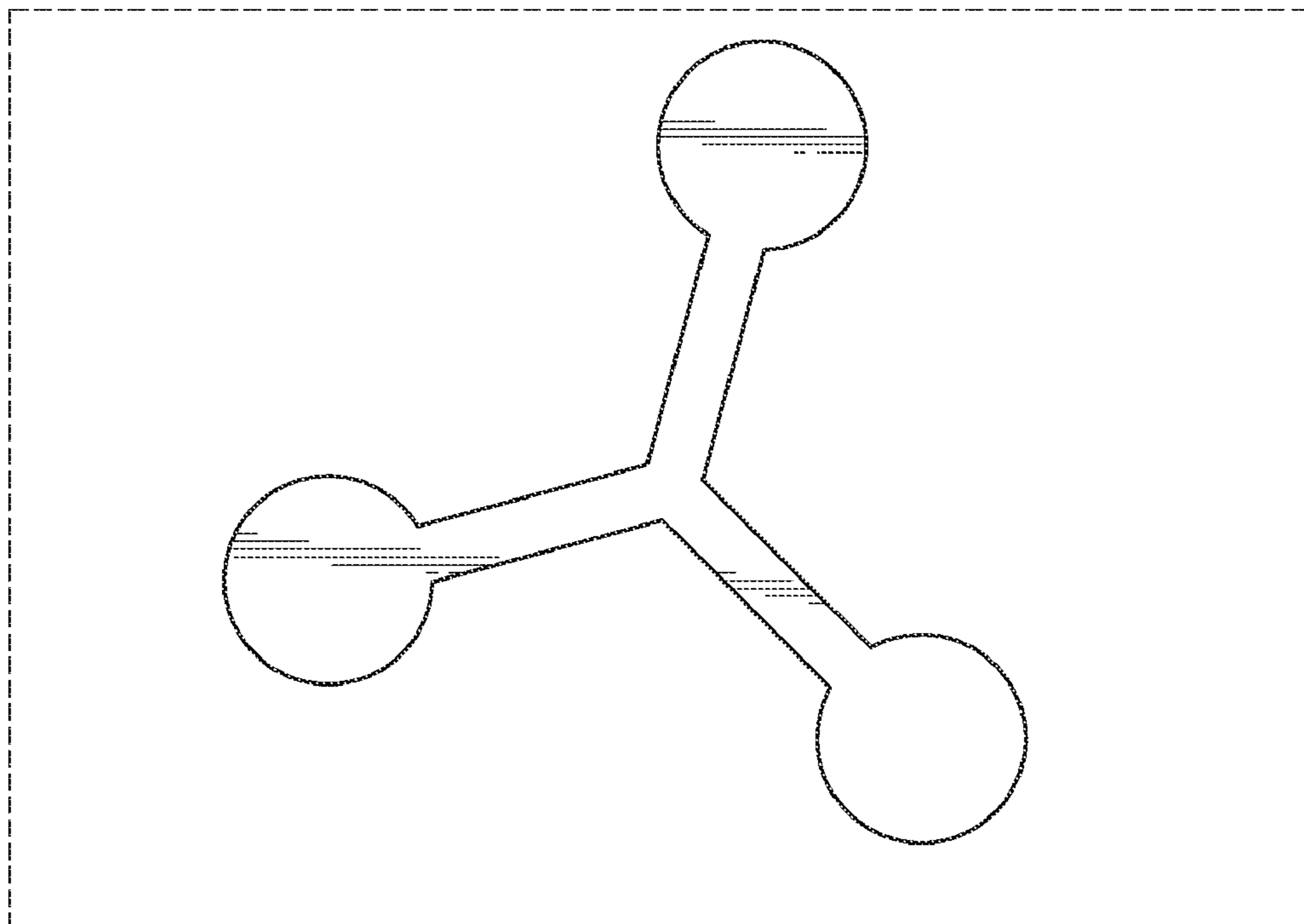


FIG. 9

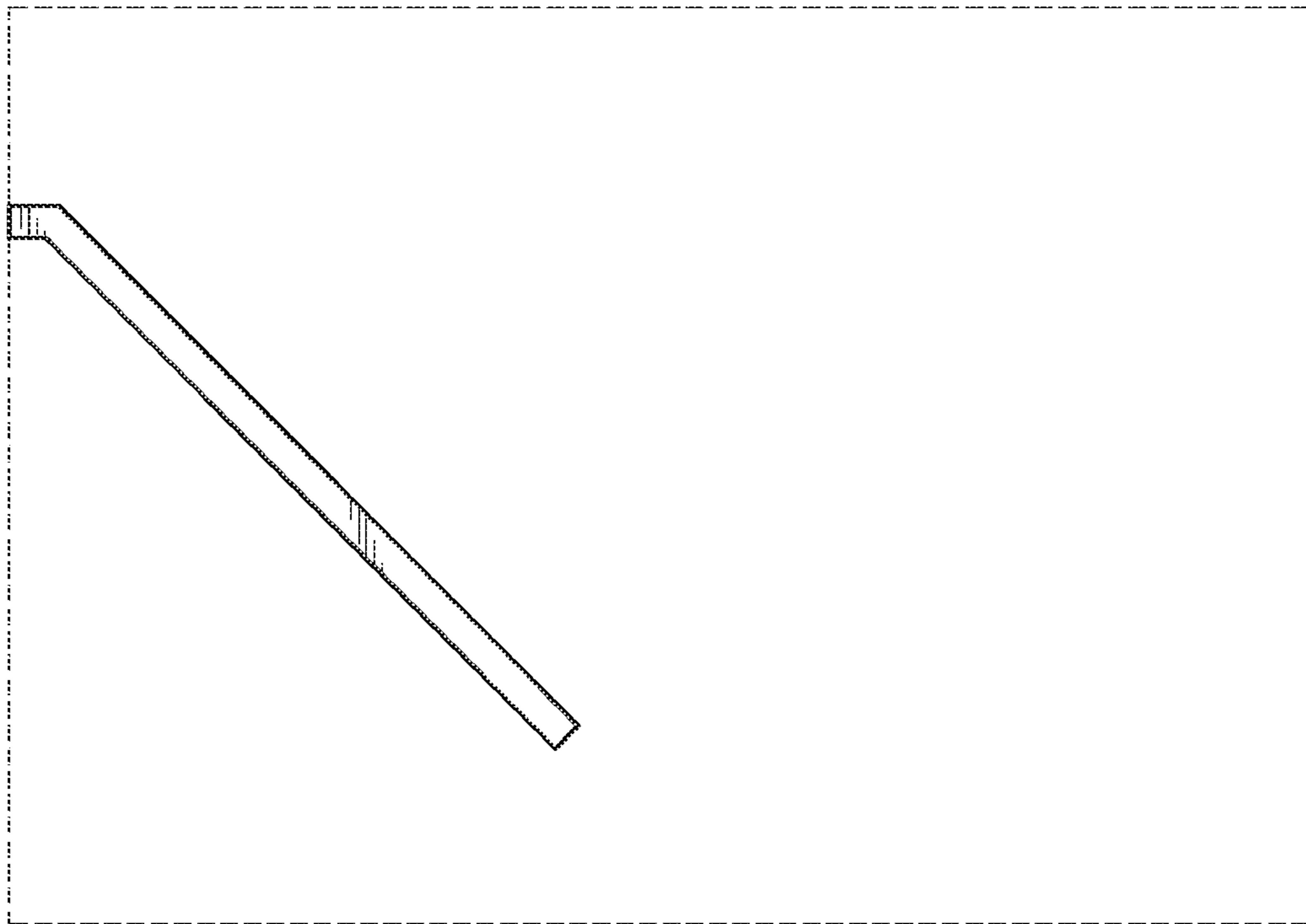


FIG. 10

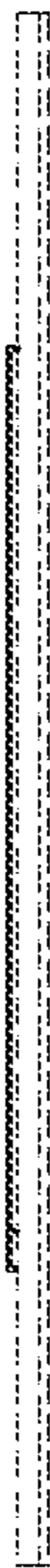


FIG. 11

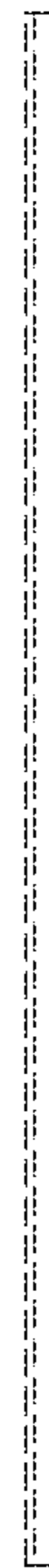


FIG. 12

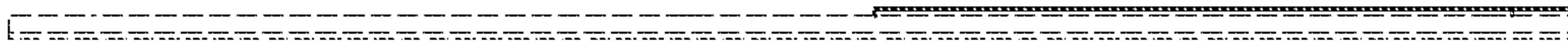


FIG. 13

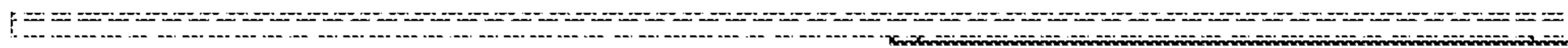


FIG. 14