



US00D634736S

(12) **United States Design Patent**
Wikel et al.

(10) **Patent No.:** **US D634,736 S**
(45) **Date of Patent:** **** Mar. 22, 2011**

(54) **HEADSET FOR A COMMUNICATION DEVICE**

(75) Inventors: **Harold L. Wikel**, Muskego, WI (US);
Matthew B. Ansley, Muskego, WI (US);
David W. Larmour, Suwanne, GA (US)

(73) Assignee: **Motorola Mobility, Inc.**, Libertyville, IL (US)

(**) Term: **14 Years**

(21) Appl. No.: **29/354,838**

(22) Filed: **Jan. 29, 2010**

(51) **LOC (9) Cl.** **14-01**

(52) **U.S. Cl.** **D14/223**

(58) **Field of Classification Search** D14/205,
D14/206, 223, 188, 192; 181/129, 130, 135;
379/430, 431, 433.01, 433.02, 433.03, 433.13;
381/380, 381, 330, 375; 455/575.1, 575.2,
455/90.3, 569.1, 569.2

See application file for complete search history.

(56) **References Cited**

U.S. PATENT DOCUMENTS

3,549,831	A	12/1970	Forney	
3,621,156	A	11/1971	Kliewer	
3,916,312	A	10/1975	Campbell	
4,039,765	A	8/1977	Tichy et al.	
4,340,972	A	7/1982	Heist	
4,484,029	A	11/1984	Kenney	
4,845,772	A	7/1989	Metroka et al.	
4,882,745	A	11/1989	Silver	
D344,949	S *	3/1994	So	D14/192
D443,871	S	6/2001	Hofstede et al.	
6,421,426	B1	7/2002	Lucey	
D461,791	S	8/2002	Ma	
D468,728	S	1/2003	Rath et al.	
D478,573	S	8/2003	Wrisley et al.	
D485,549	S	1/2004	Ma et al.	
6,760,458	B1	7/2004	Bogeskov-Jensen et al.	
D494,575	S	8/2004	Wikel et al.	
D497,613	S	10/2004	Gwee	
D498,750	S	11/2004	Ma	

D505,415	S *	5/2005	Han et al.	D14/223
D509,823	S	9/2005	Han et al.	
D521,987	S *	5/2006	Ma et al.	D14/223
7,046,799	B2	5/2006	Ma	
D541,262	S	4/2007	Ma	
D543,972	S *	6/2007	Taylor	D14/223
7,391,862	B2 *	6/2008	Rath et al.	379/430
D575,278	S *	8/2008	Guccione et al.	D14/223
D579,006	S *	10/2008	Kim et al.	D14/223
D584,293	S *	1/2009	Kim et al.	D14/223
D597,534	S	8/2009	Christopher	
7,646,879	B2 *	1/2010	Huang	381/375
D611,935	S *	3/2010	Wikel et al.	D14/223
D612,366	S *	3/2010	Wikel et al.	D14/223
D622,694	S *	8/2010	Lascelles	D14/203.3
2002/0021800	A1	2/2002	Bodley et al.	

* cited by examiner

OTHER PUBLICATIONS

U.S. Appl. No. 29/334,828, filed Apr. 2, 2009, in the name of Wikel, et al.

Primary Examiner — Paula Greene

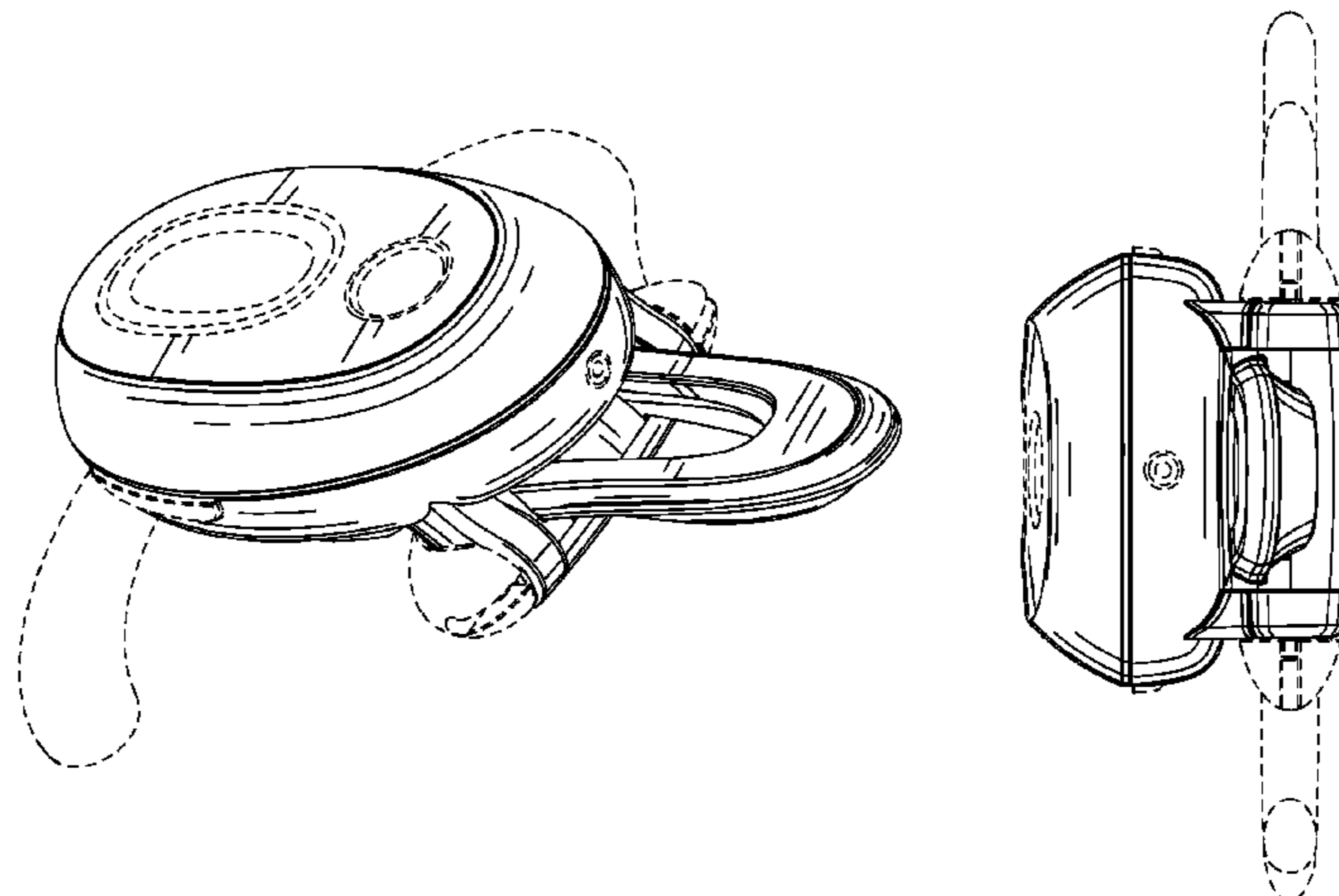
(57) **CLAIM**

The ornamental design for a headset for a communication device, as shown and described.

DESCRIPTION

FIG. 1 is a front perspective view of an ornamental design for a headset for a communication device;
FIG. 2 is a rear perspective view thereof;
FIG. 3 is a front view thereof;
FIG. 4 is a rear view thereof;
FIG. 5 is a top view thereof;
FIG. 6 is a bottom view thereof;
FIG. 7 is a first side view thereof; and,
FIG. 8 is a second side view thereof.
The broken lines shown in FIGS. 1-8, that are immediately adjacent to the shaded areas, and define unshaded regions, represent the bounds of the first embodiment, while all other broken lines are directed to environment and are for illustrative purposes only; the broken lines form no part of the first embodiment.

1 Claim, 6 Drawing Sheets



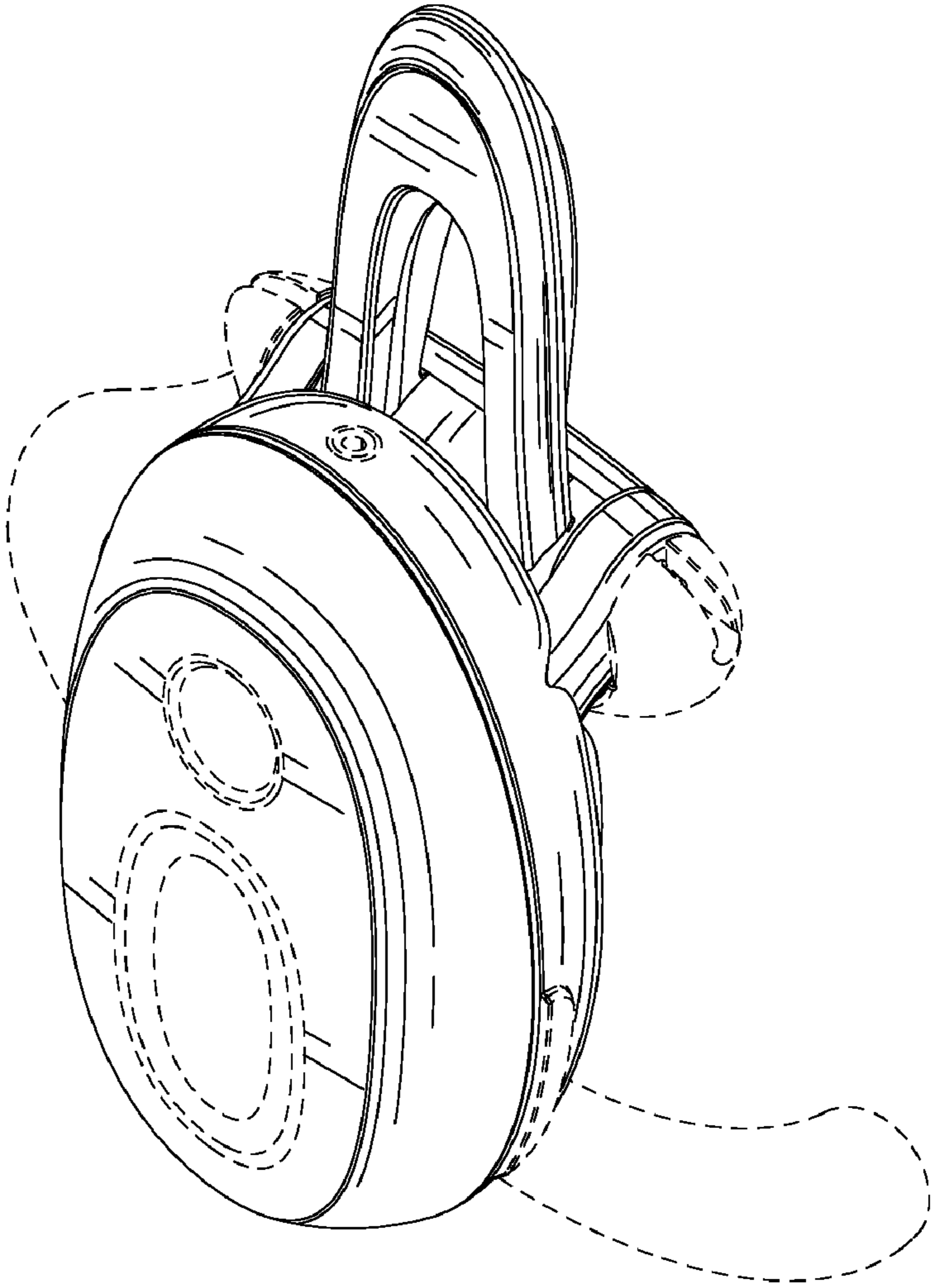


FIG. 1

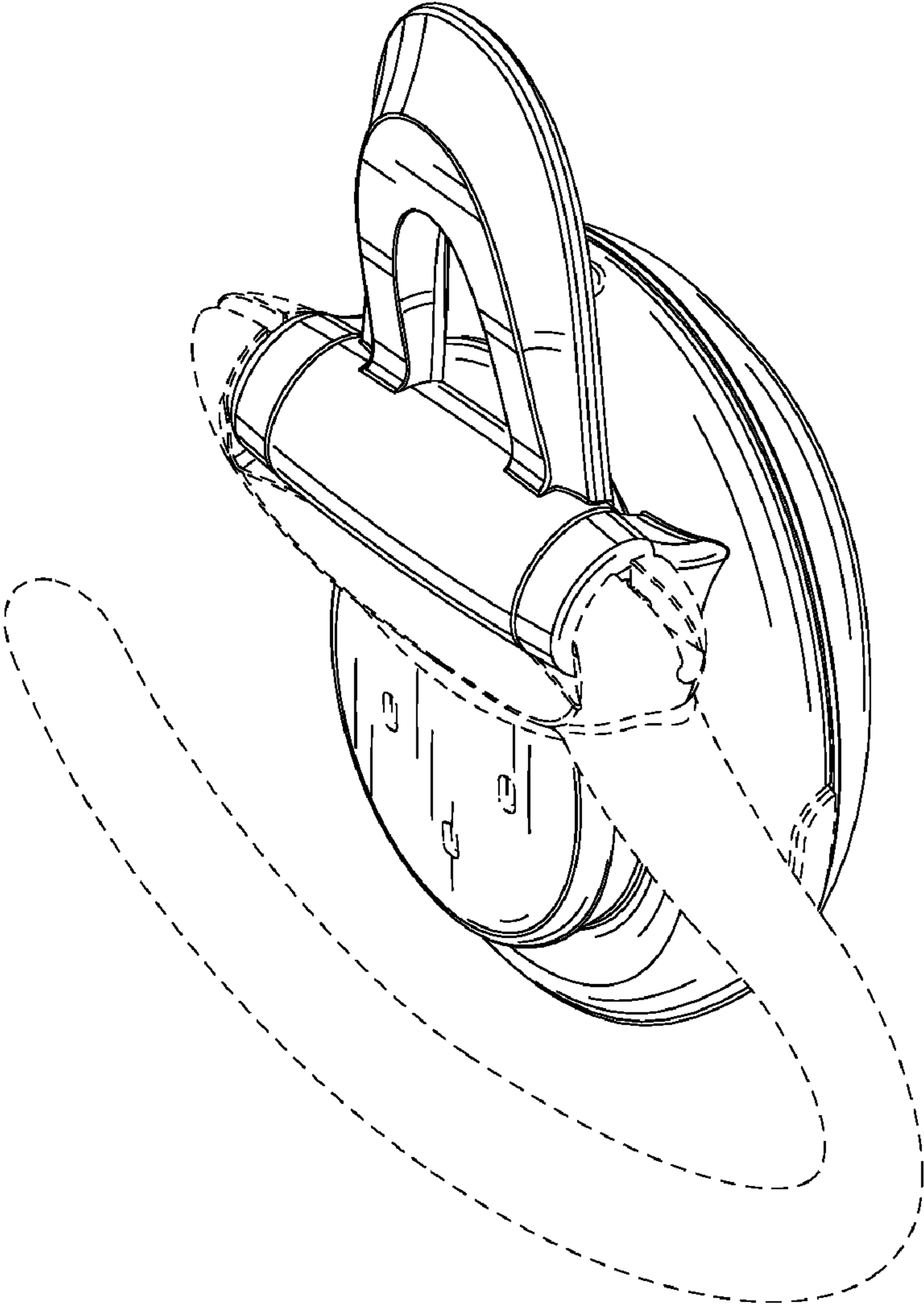


FIG. 2

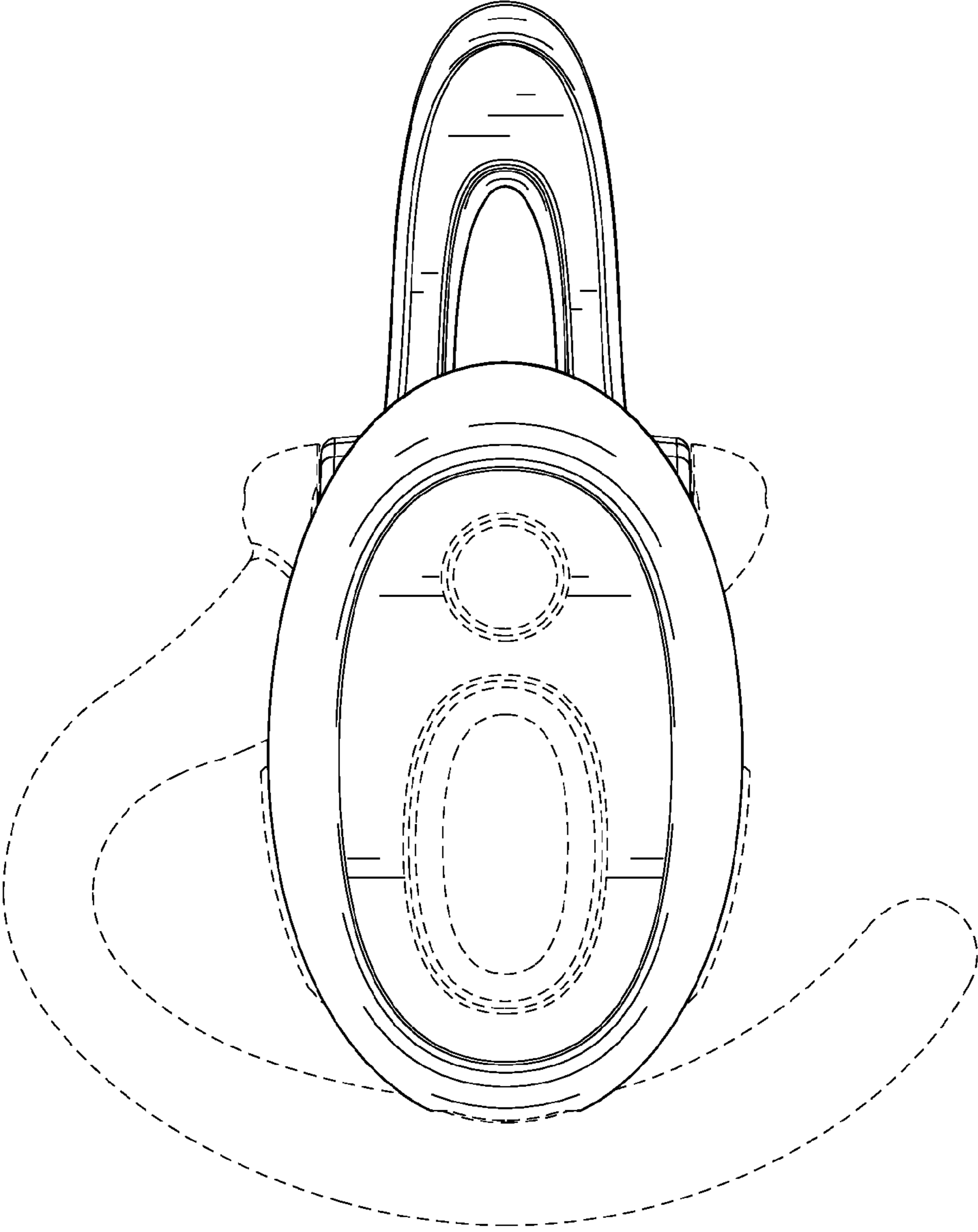


FIG. 3

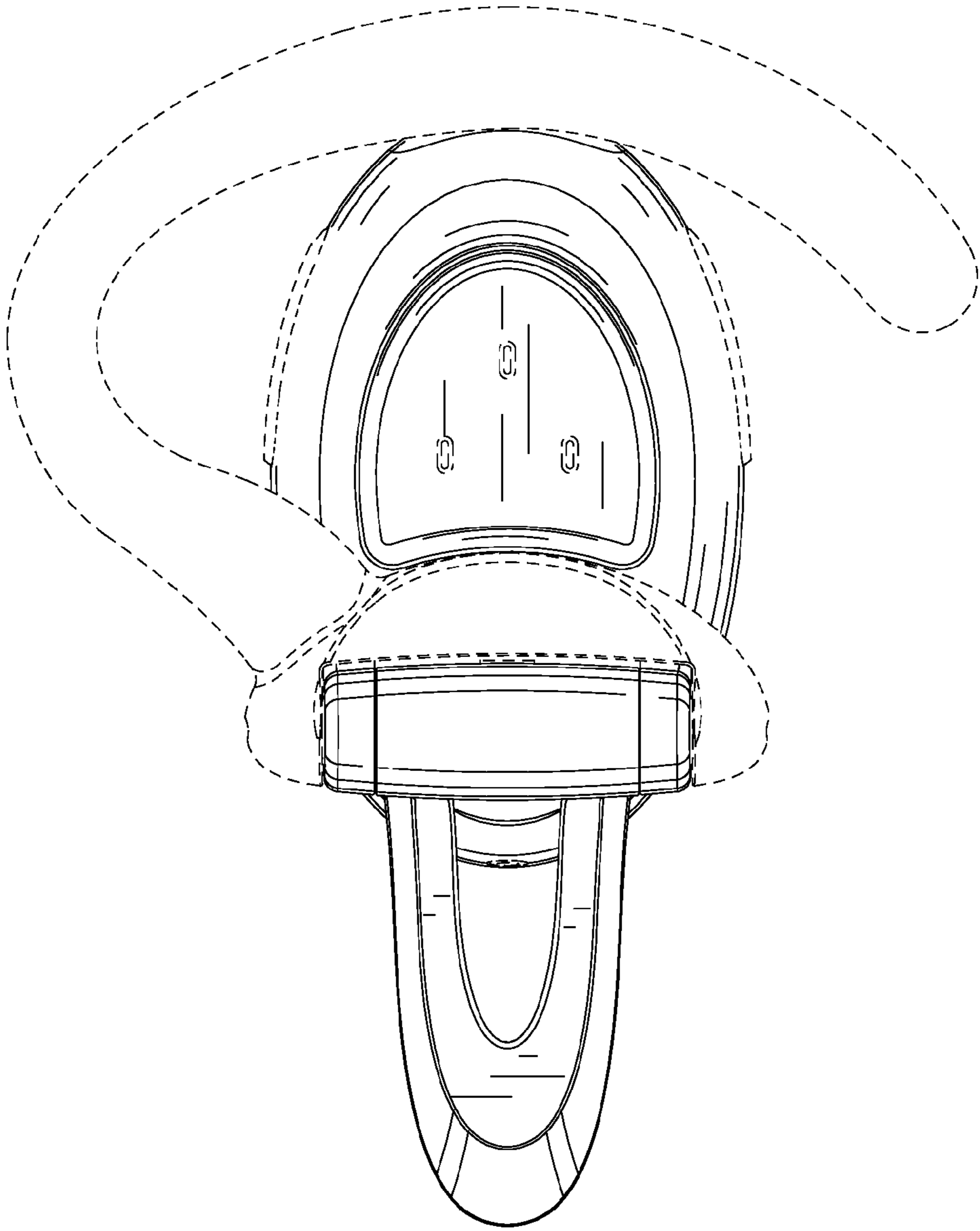


FIG. 4

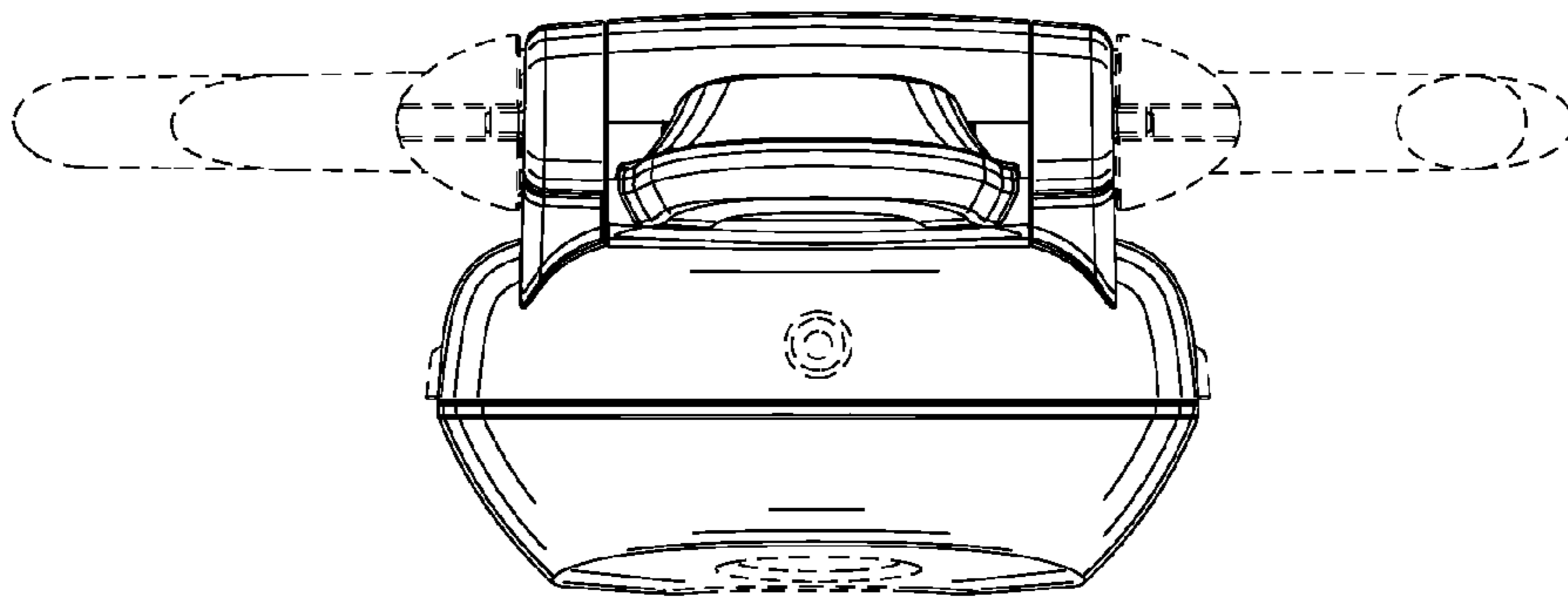


FIG. 6

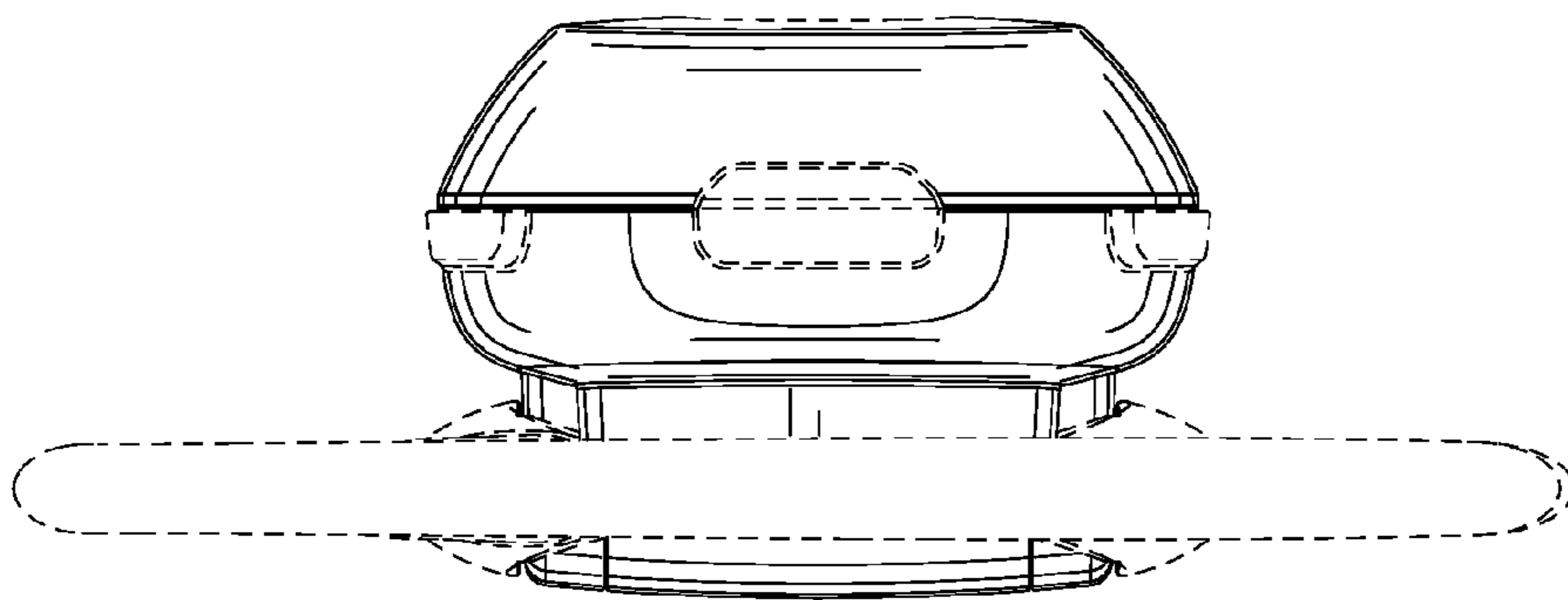


FIG. 5

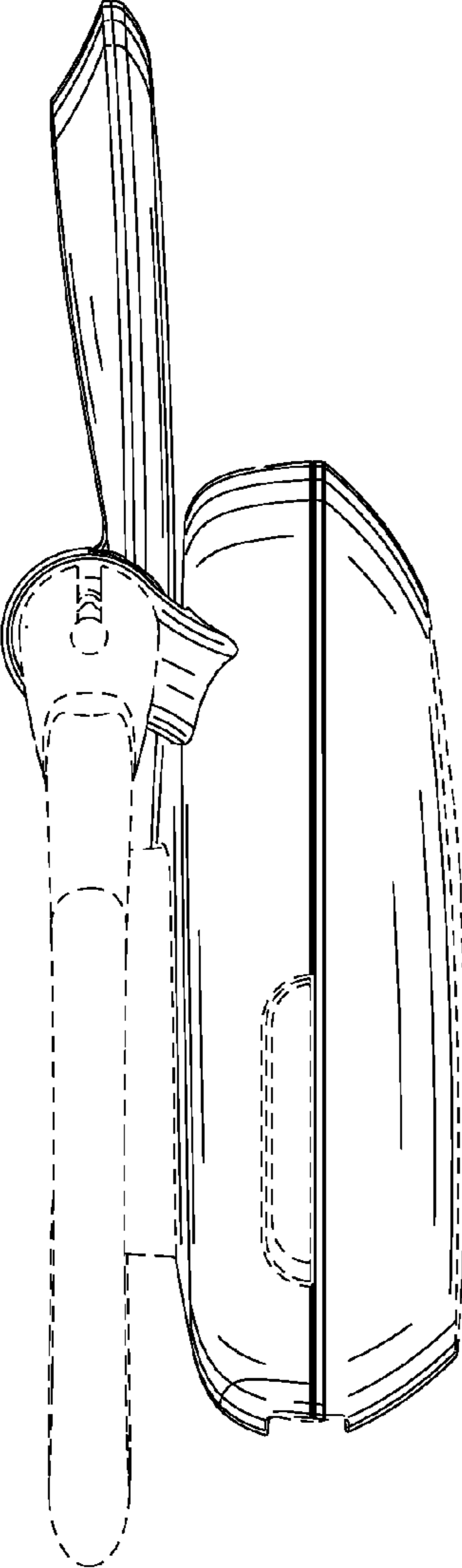


FIG. 7

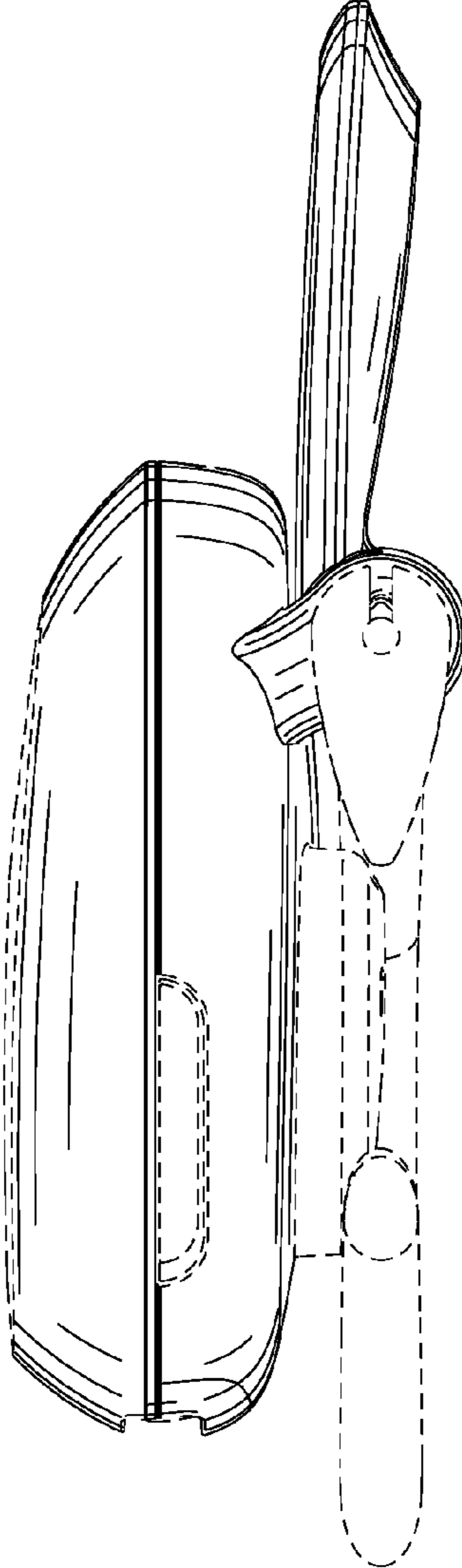


FIG. 8