



US00D634732S

(12) **United States Design Patent**
Kondo et al.

(10) **Patent No.:** **US D634,732 S**
(45) **Date of Patent:** **** Mar. 22, 2011**

(54) **HEADPHONE**

(75) Inventors: **Kazuhisa Kondo**, Tokyo (JP);
Chung-Hsien Tseng, Tokyo (JP);
Wataru Sakuma, Kanagawa (JP)

(73) Assignee: **Kabushiki Kaisha Audio-Technica**,
Tokyo (JP)

(**) Term: **14 Years**

(21) Appl. No.: **29/358,716**

(22) Filed: **Mar. 31, 2010**

(30) **Foreign Application Priority Data**

Oct. 8, 2009 (JP) 2009-023576

(51) **LOC (9) Cl.** **14-01**

(52) **U.S. Cl.** **D14/205**

(58) **Field of Classification Search** D14/205,
D14/206, 223, 142; 181/129, 130; 379/430,
379/431; 381/370, 371, 374, 376, 377, 378,
381/379, 380, 381; 455/575.1, 90.3; D29/112;
2/209, 423

See application file for complete search history.

(56) **References Cited**

U.S. PATENT DOCUMENTS

D333,137 S * 2/1993 Burke D14/206
D337,115 S * 7/1993 Yamazaki et al. D14/205

D358,391 S * 5/1995 Isono D14/205
D386,181 S * 11/1997 Fisher D14/205
D423,012 S * 4/2000 Yasutomi D14/205
D484,485 S * 12/2003 Matsuoka D14/205
D573,581 S * 7/2008 Gondo et al. D14/205
D576,604 S * 9/2008 Suzuki D14/205
D585,872 S * 2/2009 Lee D14/205
D588,098 S * 3/2009 Kurihara D14/205
7,580,539 B2 * 8/2009 Tachikawa 381/374
D625,705 S * 10/2010 Ohori et al. D14/205

* cited by examiner

Primary Examiner — Paula Greene

(74) *Attorney, Agent, or Firm* — Whitham Curtis
Christofferson & Cook, PC

(57) **CLAIM**

We claim the ornamental design for a headphone, as shown
and described.

DESCRIPTION

FIG. 1 is a front elevational view of a headphone;
FIG. 2 is a rear elevational view of a headphone;
FIG. 3 is a top plan view of a headphone, the bottom of the
headband is unornamented;
FIG. 4 is a bottom plan view of a headphone;
FIG. 5 is a right side elevational view of a headphone;
FIG. 6 is a left side elevational view of a headphone; and,
FIG. 7 is a perspective view of a headphone, the opposite
perspective view is a mirror image.

1 Claim, 7 Drawing Sheets

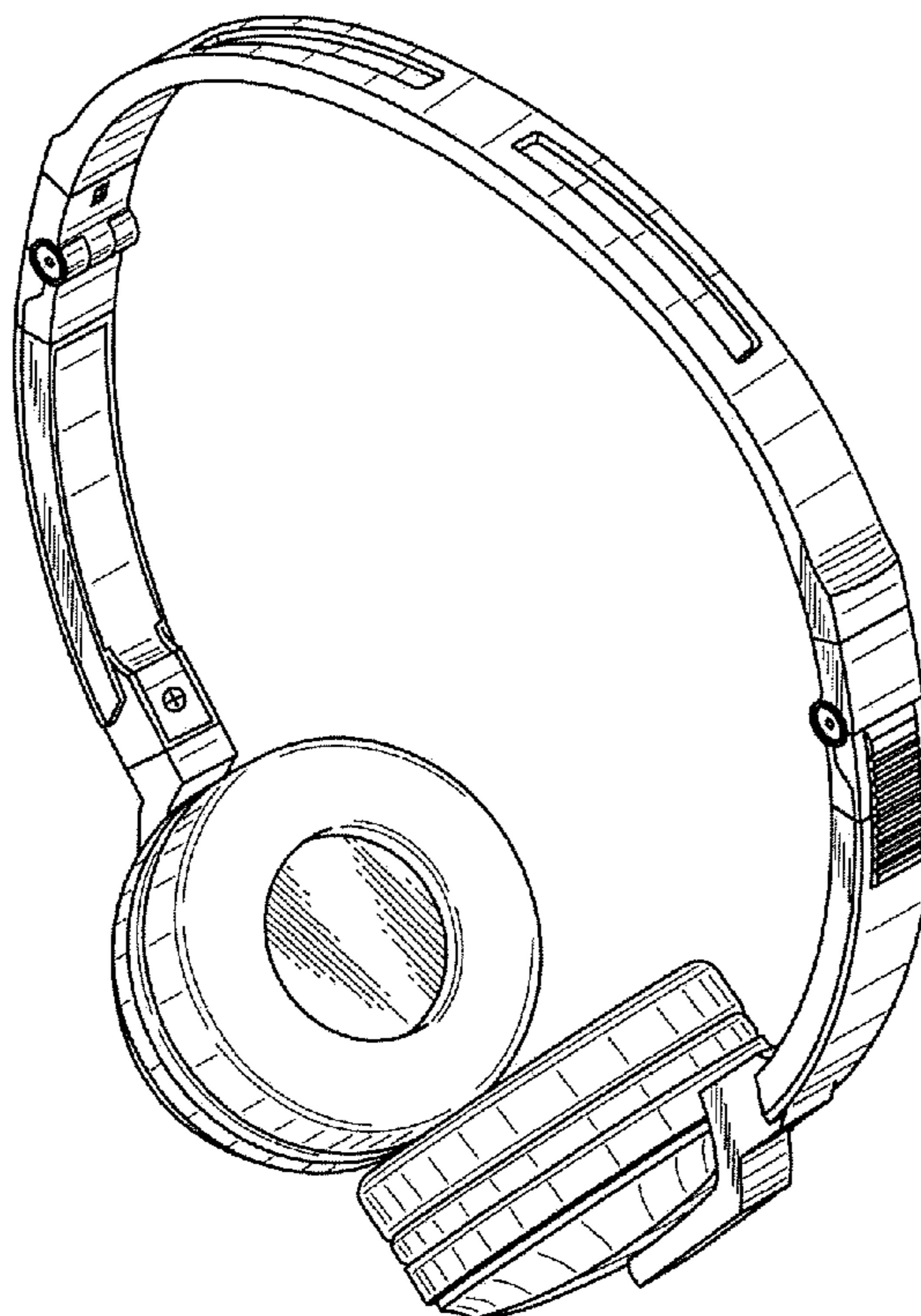


FIGURE 1



FIGURE 2



FIGURE 3

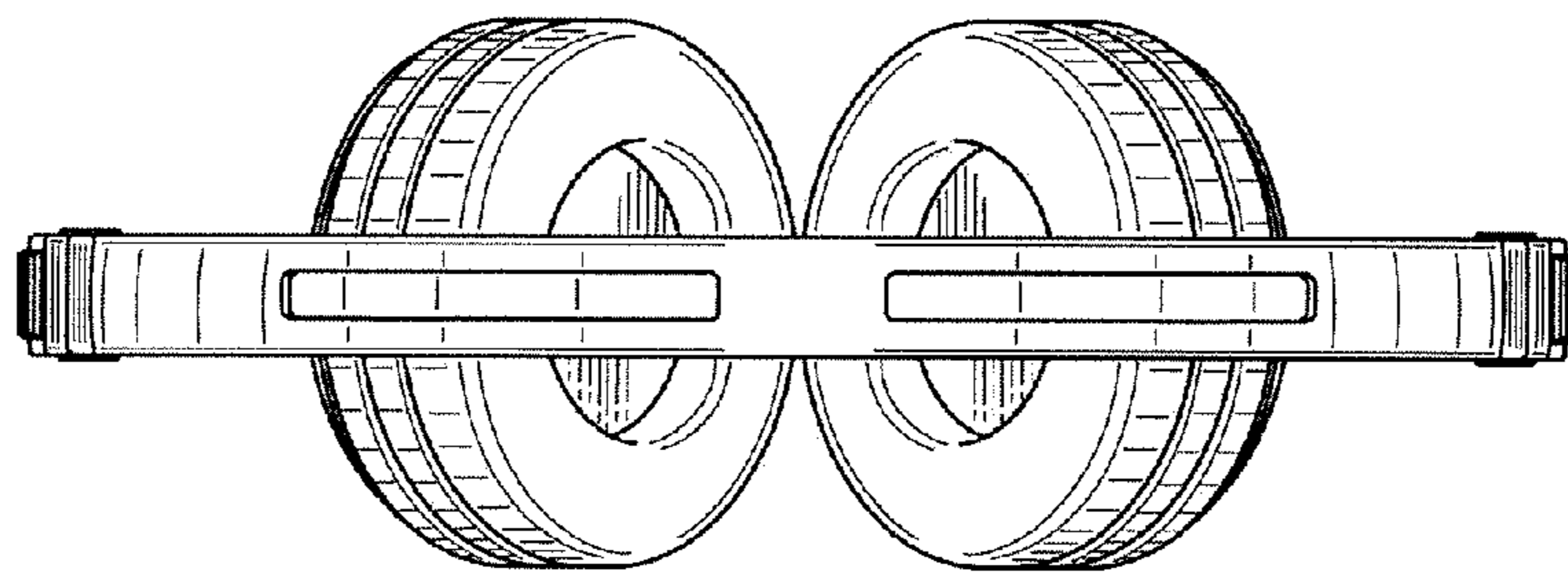


FIGURE 4

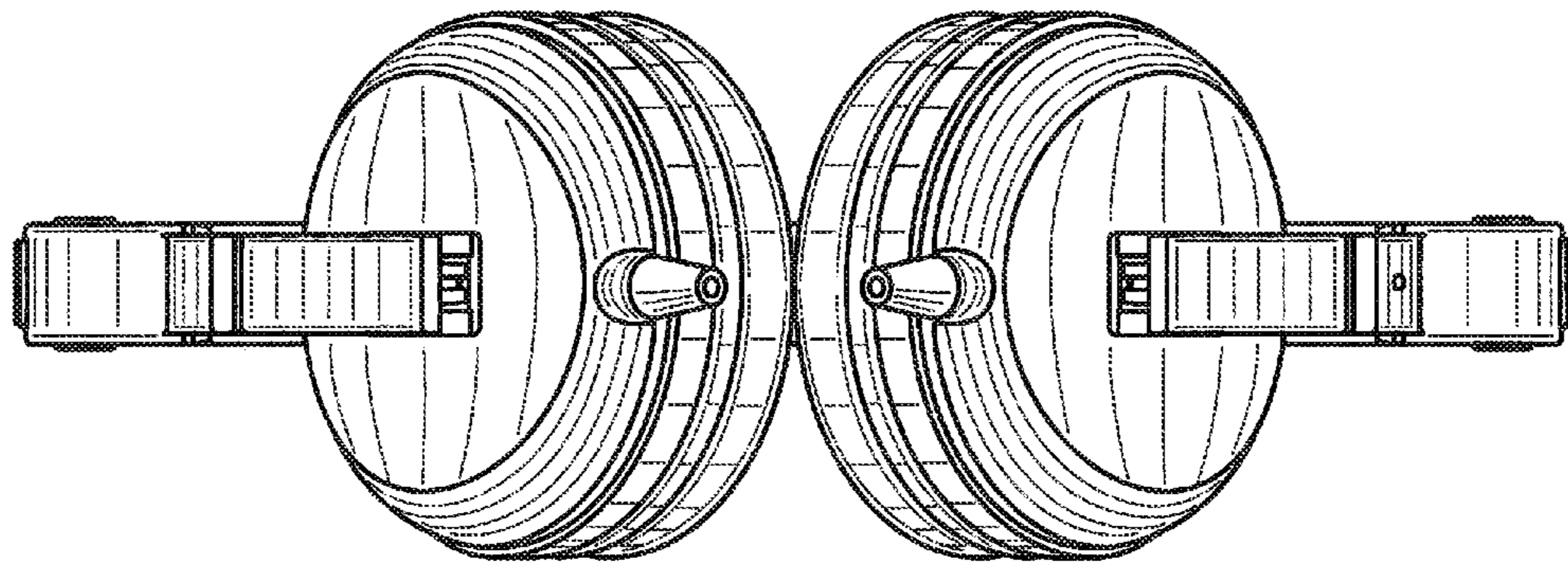


FIGURE 5

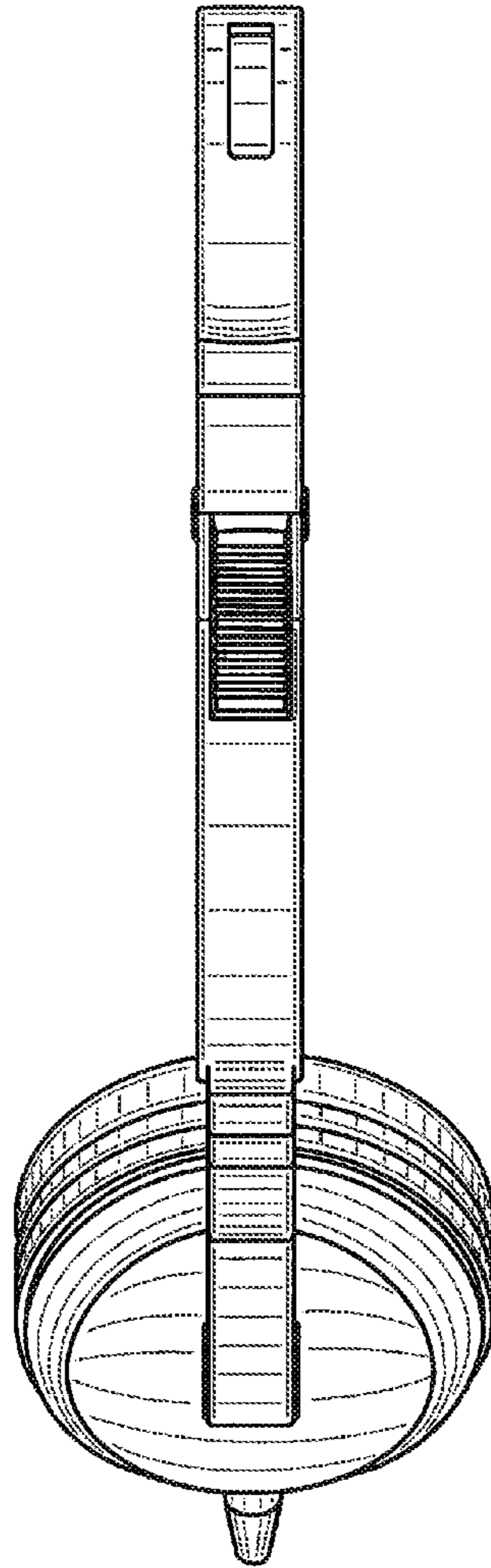


FIGURE 6

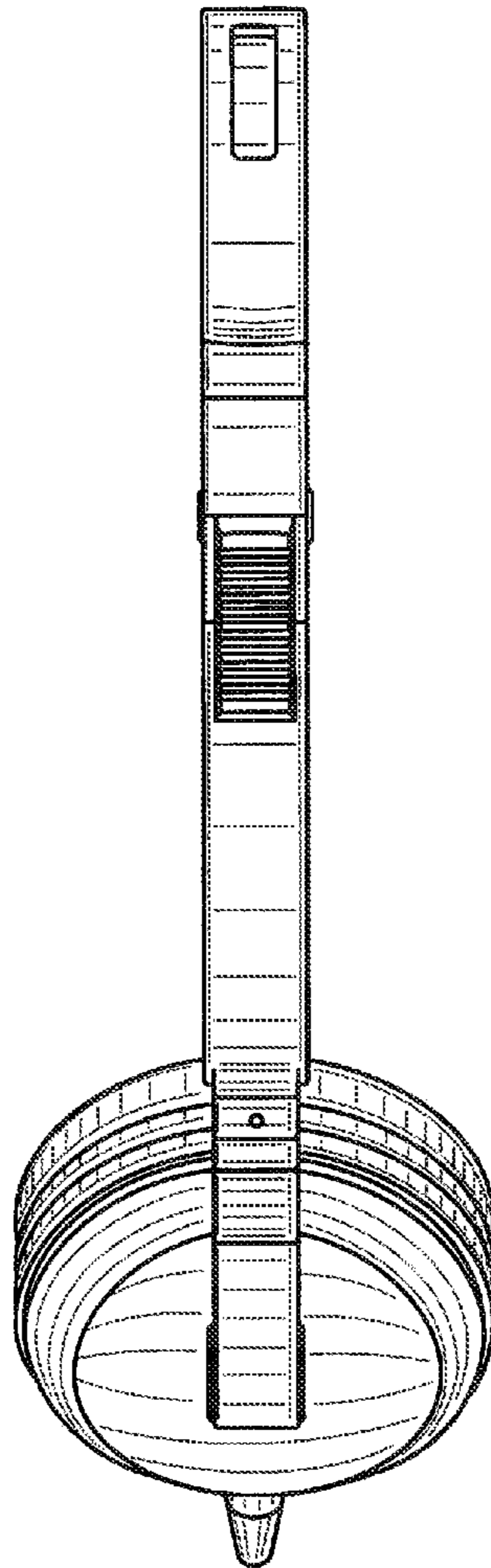


FIGURE 7

