



US00D634730S

(12) **United States Design Patent**  
**Kitayama**

(10) **Patent No.:** **US D634,730 S**  
(45) **Date of Patent:** **\*\* Mar. 22, 2011**

(54) **HEADPHONE**

(75) Inventor: **Sohei Kitayama**, Tokyo (JP)

(73) Assignee: **Sony Corporation**, Tokyo (JP)

(\*\*) Term: **14 Years**

(21) Appl. No.: **29/347,552**

(22) Filed: **Mar. 3, 2010**

(30) **Foreign Application Priority Data**

Nov. 6, 2009 (JP) ..... D2009-026022

(51) **LOC (9) Cl.** ..... **14-01**

(52) **U.S. Cl.** ..... **D14/205**

(58) **Field of Classification Search** ..... D14/205,  
D14/206, 223, 188, 248, 216, 204, 217, 249;  
181/129, 130, 135; 379/430, 433, 433.01,  
379/433.11; 381/370, 380, 381, 397, 412,  
381/389; D29/112; 2/209, 423; 455/90.3,  
455/575.1, 575.2

See application file for complete search history.

(56) **References Cited**

**U.S. PATENT DOCUMENTS**

D68,060	S	*	8/1925	Pacent	.....	D14/249
D135,303	S	*	3/1943	Scher	.....	D14/249
2,989,598	A	*	6/1961	Touger et al.	.....	181/206
3,091,771	A	*	6/1963	Bixby	.....	2/423
D244,301	S	*	5/1977	Besasio	.....	D14/223
4,287,614	A	*	9/1981	Lonnstedt	.....	2/423
D266,244	S	*	9/1982	Hofer et al.	.....	D14/205
4,471,496	A	*	9/1984	Gardner et al.	.....	2/209
4,856,118	A	*	8/1989	Sapiejewski	.....	2/209
5,551,090	A	*	9/1996	Thompson	.....	2/209
D381,987	S		8/1997	Tsuge		
D409,197	S		5/1999	Nakamura		
D435,537	S		12/2000	Yuyama		
D457,512	S		5/2002	Yoneda		

D505,411	S		5/2005	Sakai		
D521,982	S	*	5/2006	Schafernak et al.	.....	D14/216
D534,155	S		12/2006	Obata		
D534,156	S		12/2006	Obata		
D540,301	S		4/2007	Obata		
D588,100	S		3/2009	Densho et al.		
D597,070	S		7/2009	Zheng		
D609,694	S	*	2/2010	Komiyama	.....	D14/205
D620,474	S	*	7/2010	Komiyama	.....	D14/205

**OTHER PUBLICATIONS**

Web page, "HP-X53", <http://www.jvc-victor.co.jp/accessory/headphone/pure/hp-x53/index.html>, 1 sheet, Victor Company of Japan Feb. 2010.

Web page, "MDR-370LP", <http://www.ecat.sony.co.jp/avacc/headphone/acc/index.cfm?PD=35272&KM=MDR-370LP>, '1 sheet, Sony Marketing (Japan) Inc. Feb. 2010.

\* cited by examiner

*Primary Examiner* — Paula Greene

(74) *Attorney, Agent, or Firm* — Rader, Fishman & Grauer PLLC

(57) **CLAIM**

The ornamental design for a headphone, as shown and described.

**DESCRIPTION**

FIG. 1 is a perspective view of a headphone showing my new design;

FIG. 2 is a front elevational view thereof;

FIG. 3 is a rear elevational view thereof;

FIG. 4 is a left side elevational view thereof;

FIG. 5 is a right side elevational view thereof;

FIG. 6 is a top plan view thereof; and,

FIG. 7 is a bottom plan view thereof.

Portions in broken lines are for illustrative purposes only and form no part of claimed design.

**1 Claim, 5 Drawing Sheets**

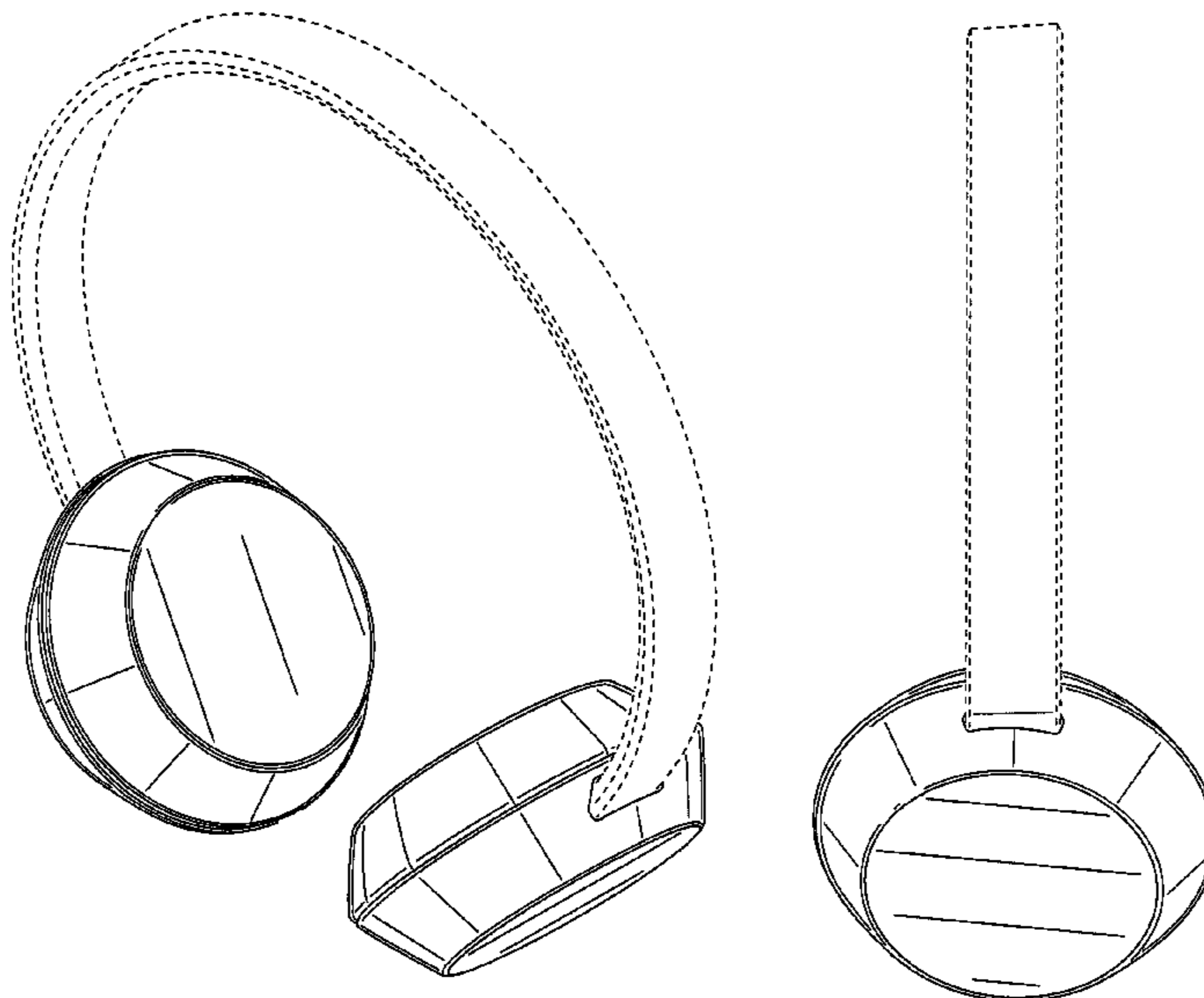


FIG.1

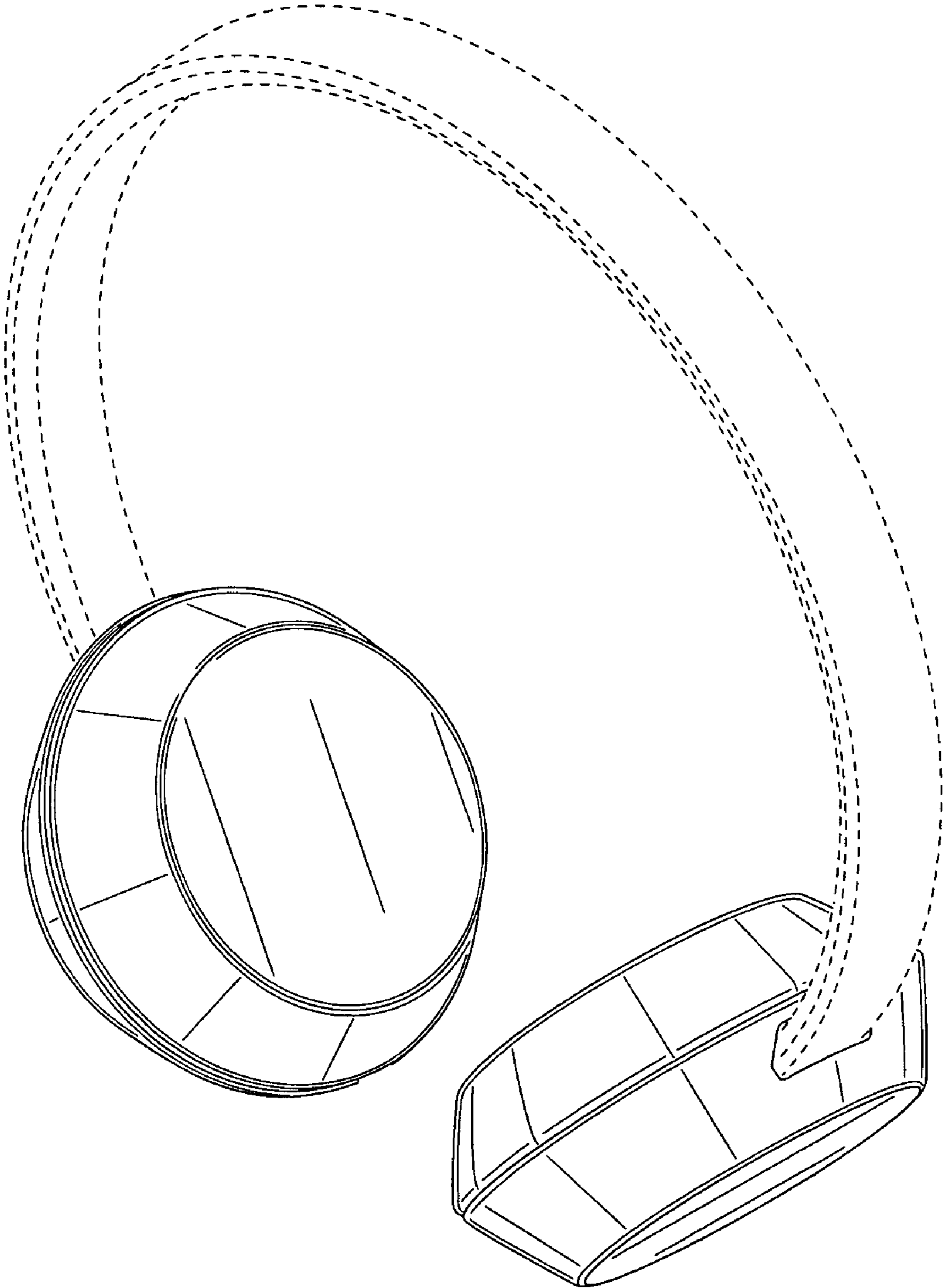


FIG.2

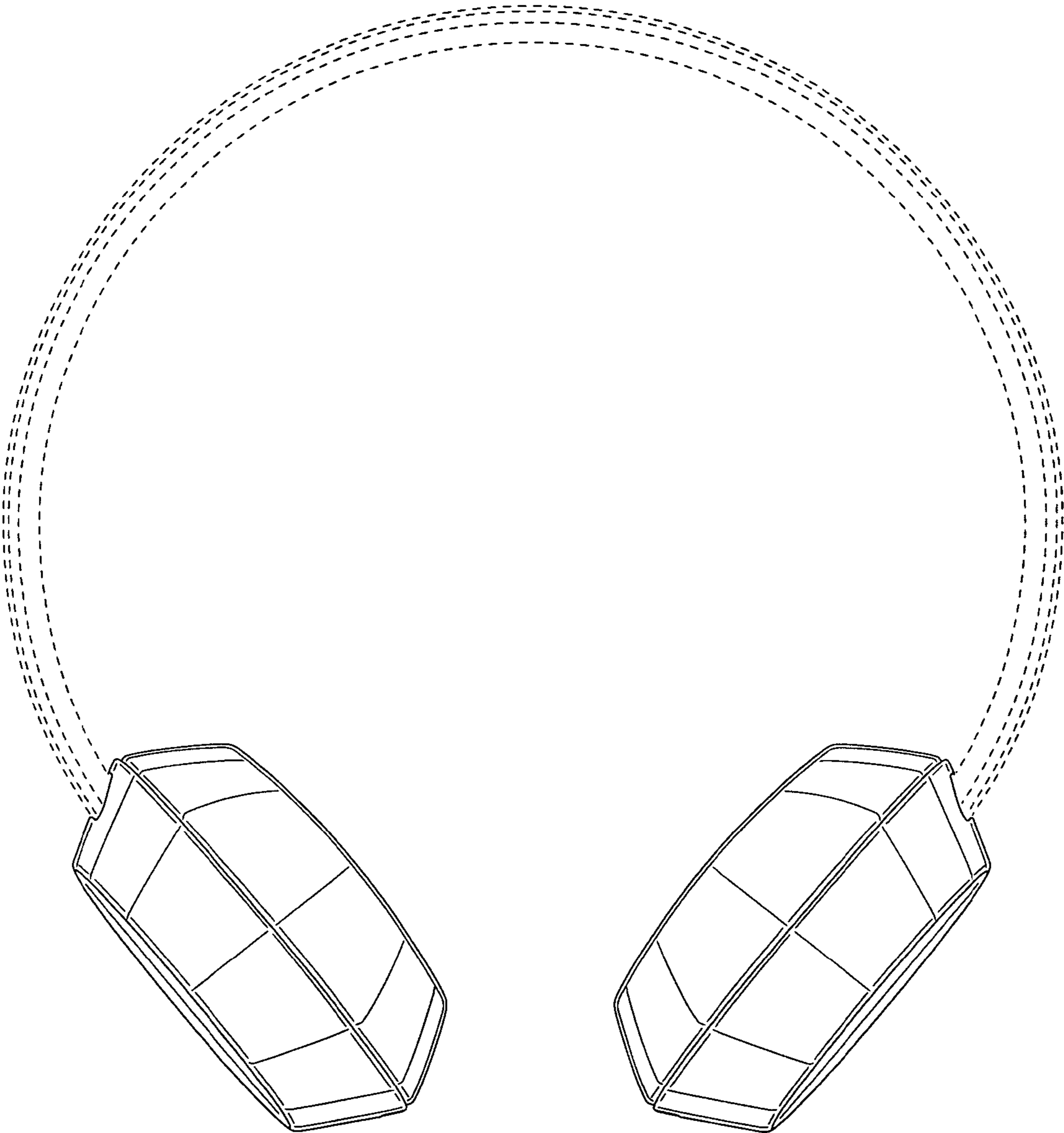


FIG.3

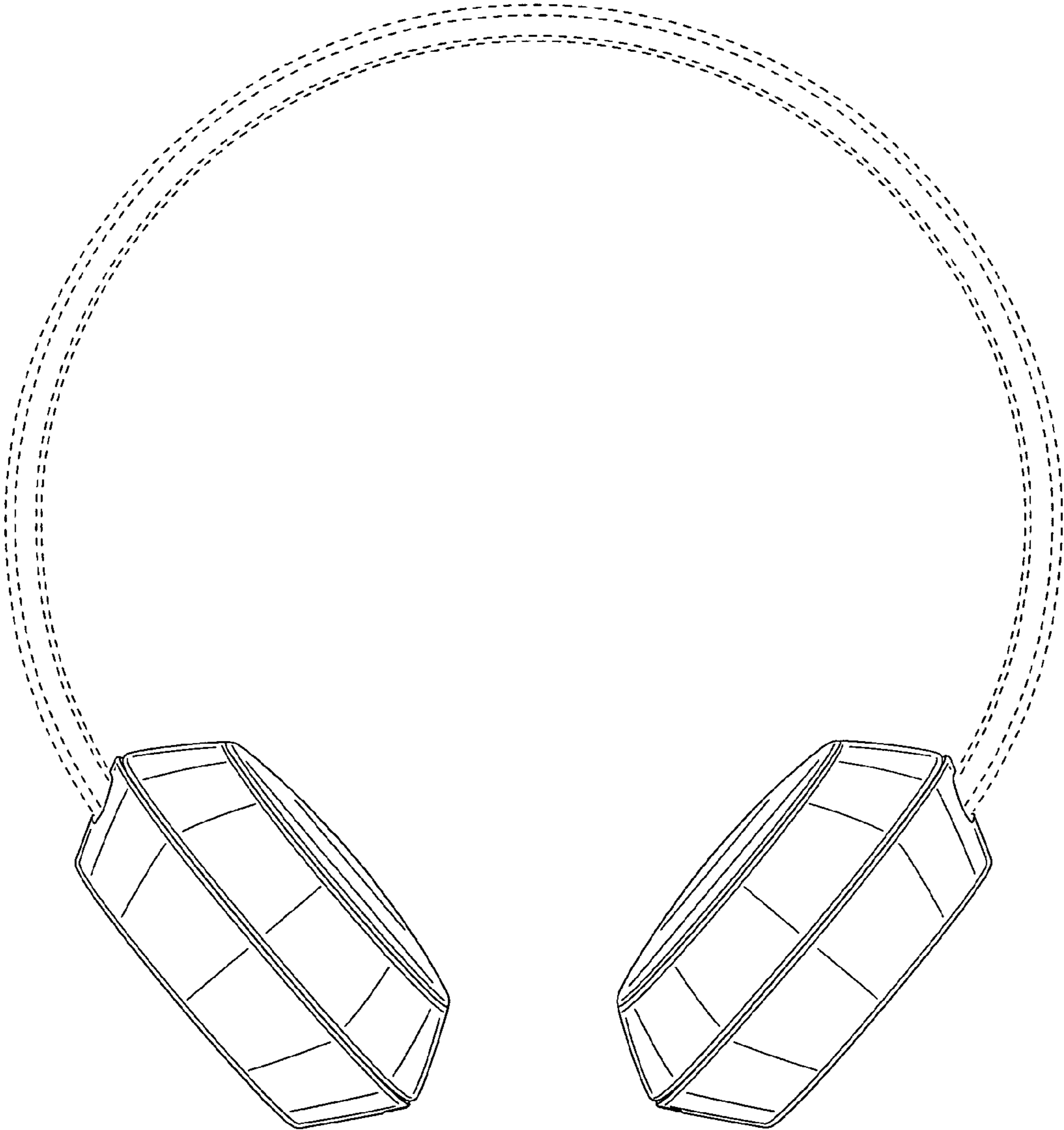




FIG.4

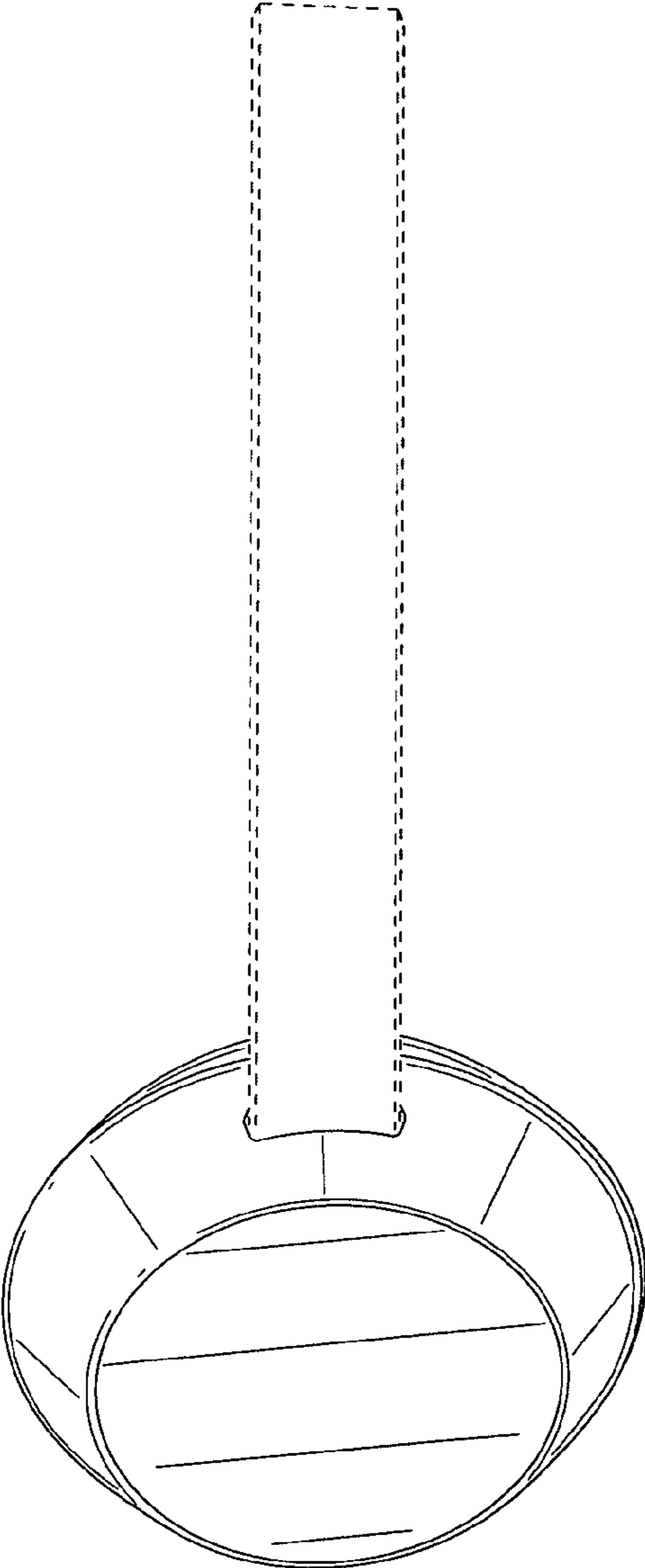


FIG.5

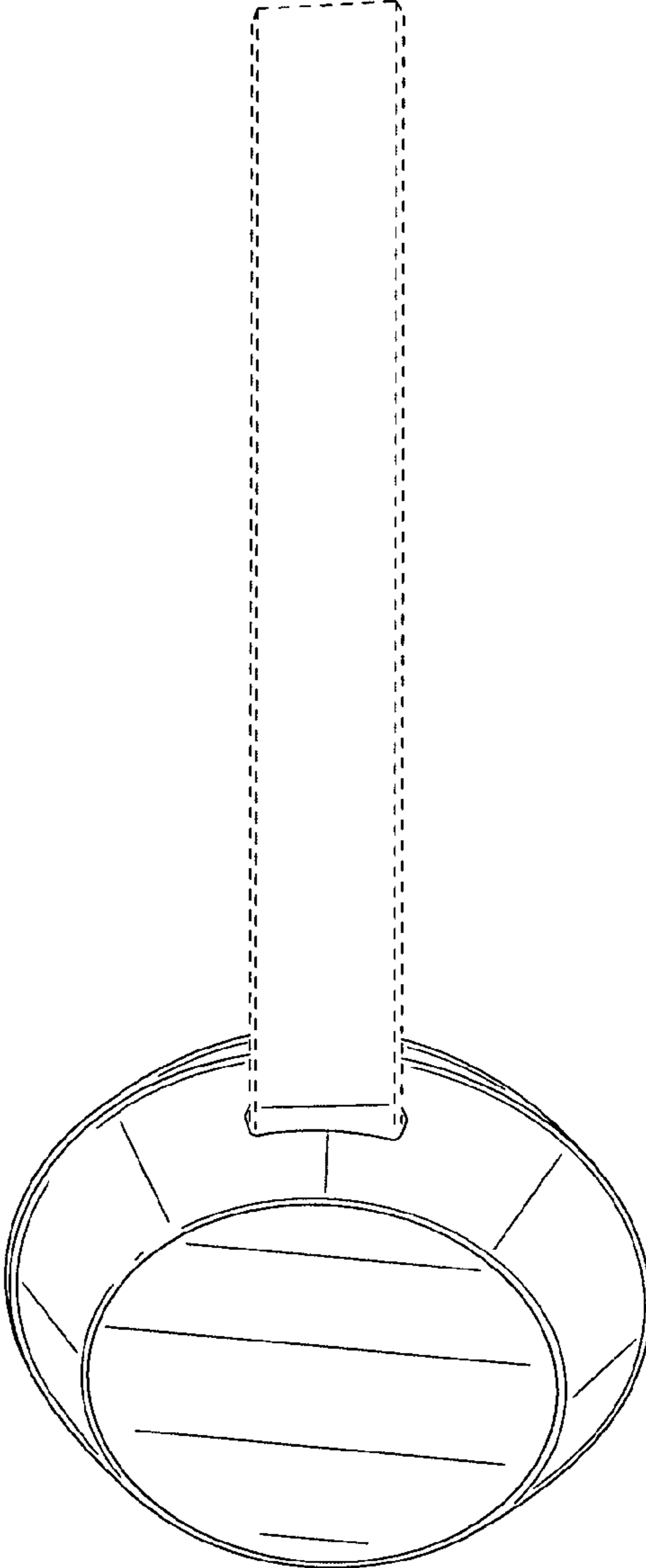


FIG.6

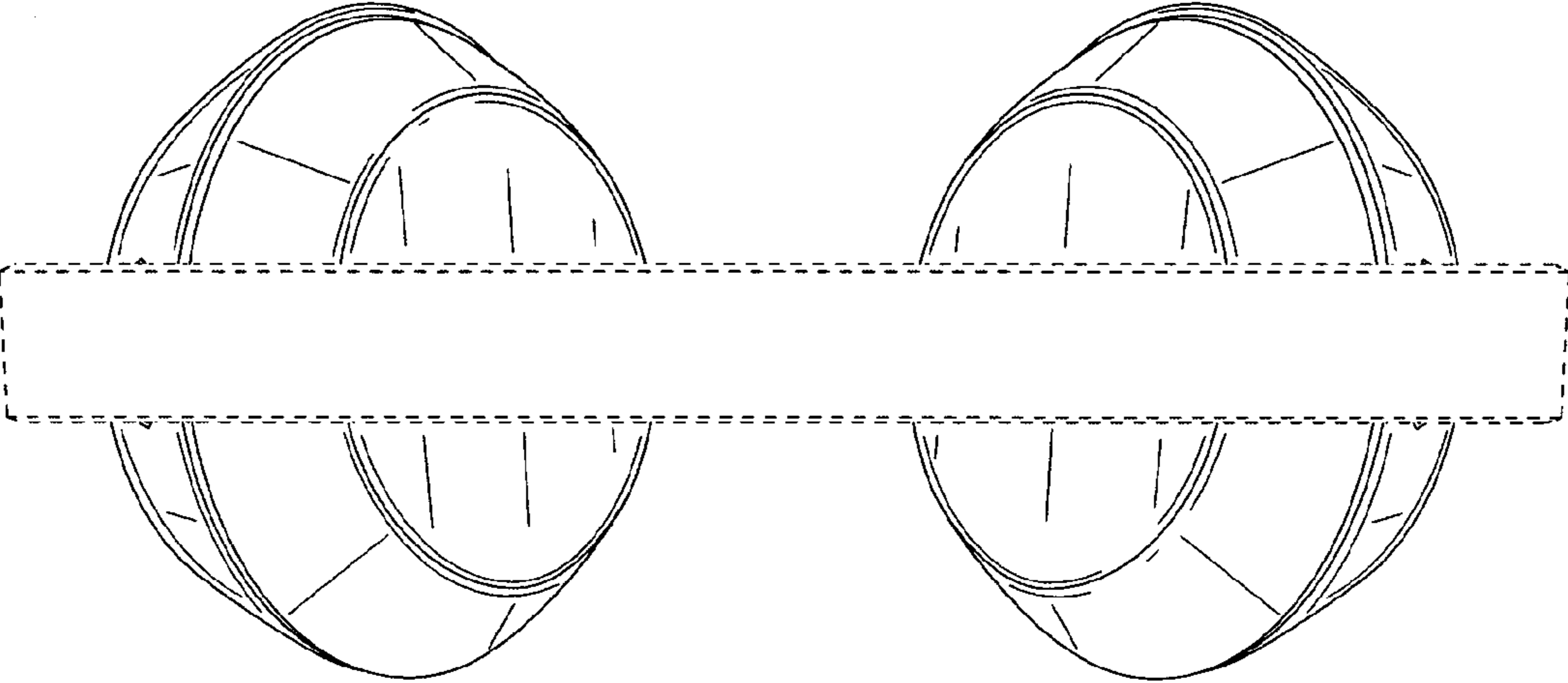


FIG.7

