



US00D634728S

(12) **United States Design Patent**
Todd

(10) **Patent No.:** **US D634,728 S**
(45) **Date of Patent:** **** Mar. 22, 2011**

(54) **STEREO AND CD PLAYER TOOLBOX
ADD-ON**

D578,819 S * 10/2008 Perella et al. D6/632
7,519,195 B2 4/2009 Hesketh
2006/0062415 A1 3/2006 Hesketh
2009/0058245 A1 3/2009 He

(76) Inventor: **Michael Curtis Todd**, Camby, IN (US)

* cited by examiner

(**) Term: **14 Years**

Primary Examiner — Nanda Bondade

(21) Appl. No.: **29/343,587**

(74) *Attorney, Agent, or Firm* — QuickPatents, Inc.; Kevin Prince

(22) Filed: **Sep. 15, 2009**

(51) **LOC (9) Cl.** **14-01**

(57) **CLAIM**

(52) **U.S. Cl.** **D14/168**

I claim the ornamental design for a stereo and CD player toolbox add-on, as shown and described.

(58) **Field of Classification Search** D14/496,
D14/498–511, 167–168, 188, 197–198, 214–215;
360/99.02, 99.07; 369/75.11, 75.21, 77.11,
369/77.21; 720/601, 612, 619, 649, 655;
455/344, 347–351; D3/291, 274, 279, 905;
D6/396, 400, 407, 434, 446, 627, 631, 632;
381/333–345, 361, 388; 62/457.7, 371; 206/372,
206/373

DESCRIPTION

See application file for complete search history.

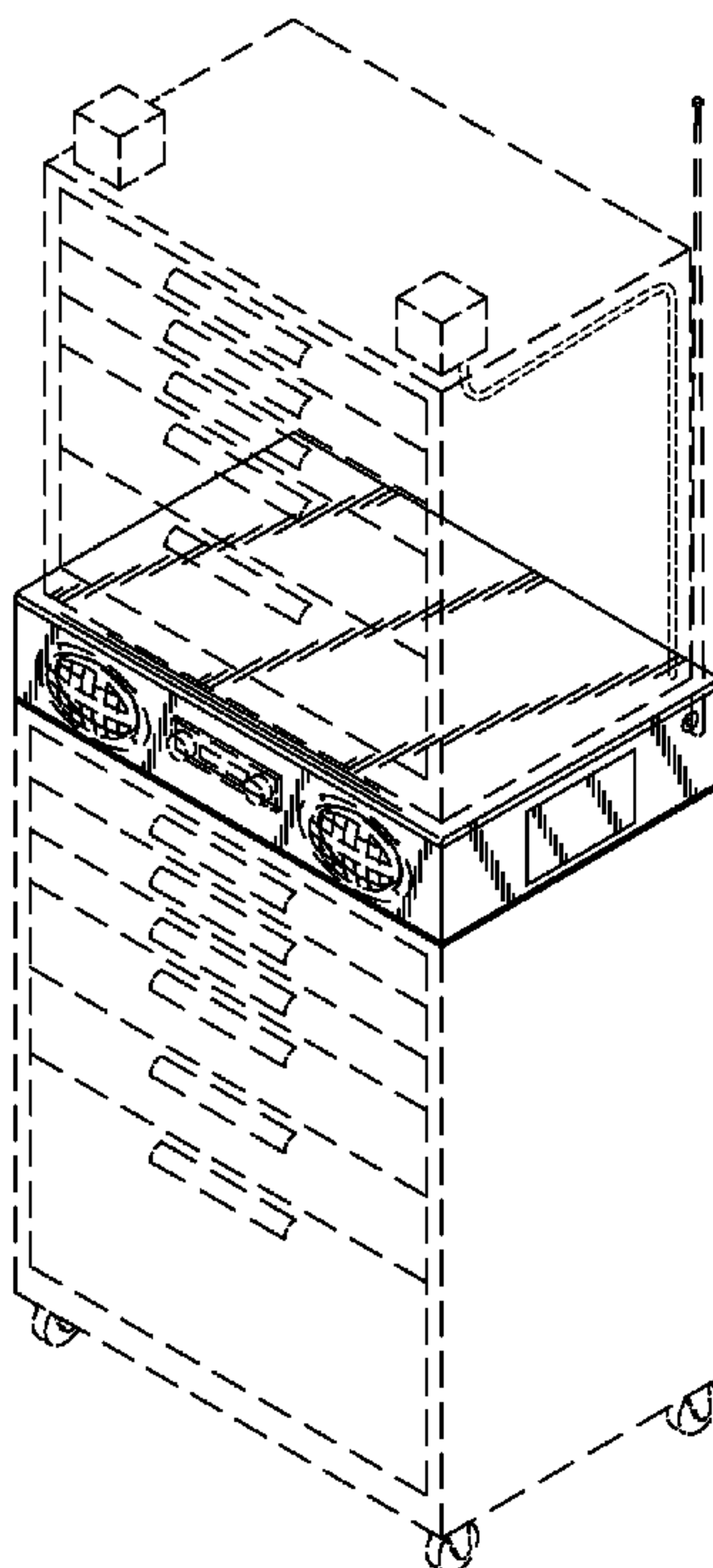
FIG. 1 is a perspective view of a stereo and CD player toolbox add-on, showing my new design;
FIG. 2 is a front elevational view thereof;
FIG. 3 is a rear elevational view thereof;
FIG. 4 is a right-side elevational view thereof;
FIG. 5 is a left-side elevational view thereof;
FIG. 6 is a top plan view thereof;
FIG. 7 is a bottom plan view thereof;
FIG. 8 is a perspective view of FIG. 1 but with environmental matter omitted for clarity of illustration; and,
FIG. 9 is a front elevational view of FIG. 2 but with environmental matter omitted for clarity of illustration.
The broken lines showing a tool box in FIG. 1--5 and an audio player, speakers, an antenna and wires in FIGS. 1--7 are included for the purpose of illustrating environmental matter with the invention in use, and form no part of the claimed design.

(56) **References Cited**

U.S. PATENT DOCUMENTS

D310,529	S	9/1990	Yuen	
5,013,055	A	5/1991	Labrum	
D333,568	S *	3/1993	Dickinson D3/905
5,339,956	A	8/1994	Thomason	
D375,311	S	11/1996	Keseling	
5,781,853	A	7/1998	Johnson	
5,810,168	A	9/1998	Eggering	
6,474,410	B1	11/2002	Minich	
D477,724	S *	7/2003	Bishop D6/434
6,662,945	B1	12/2003	Chang	
7,188,491	B2	3/2007	Donald, II	
D571,782	S *	6/2008	Moldauer et al. D14/198

1 Claim, 3 Drawing Sheets



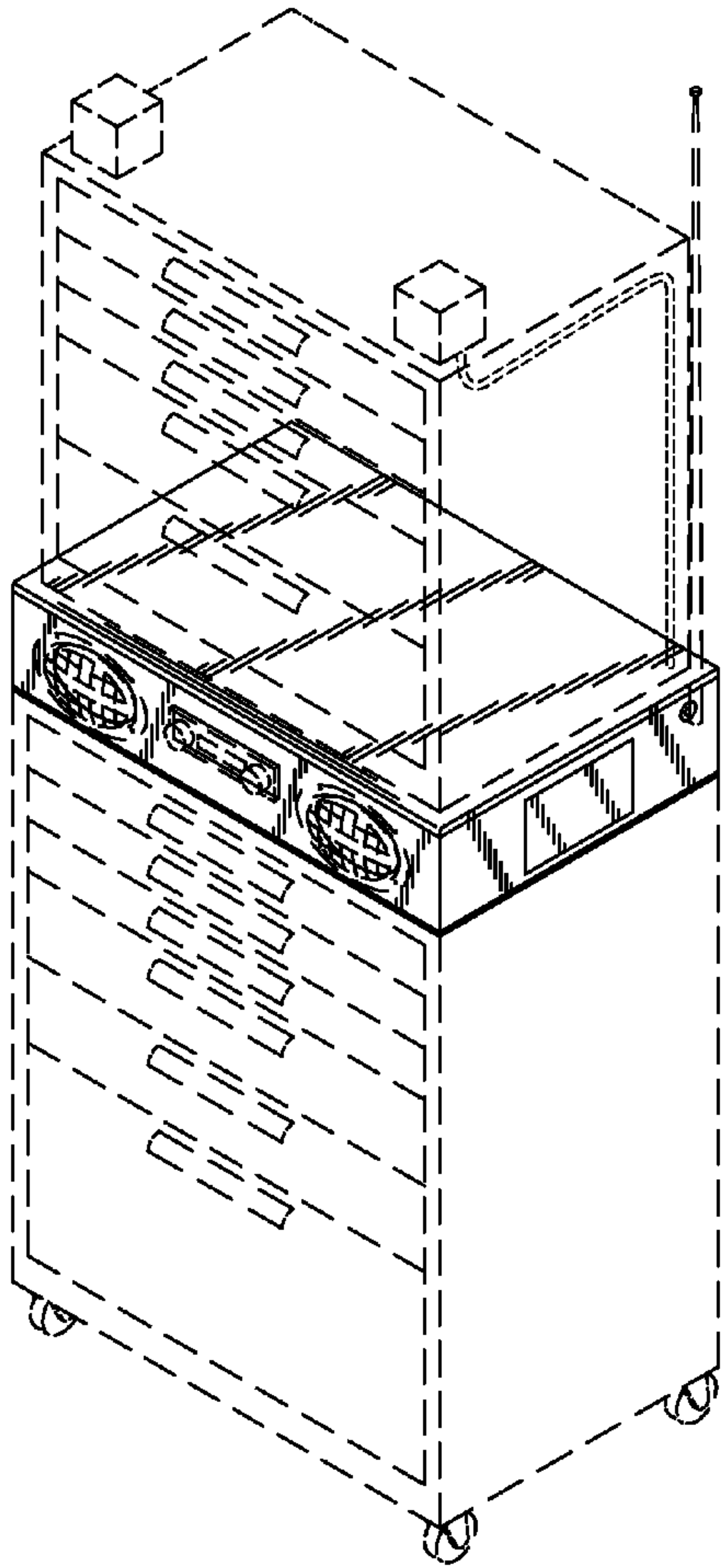


FIG. 1

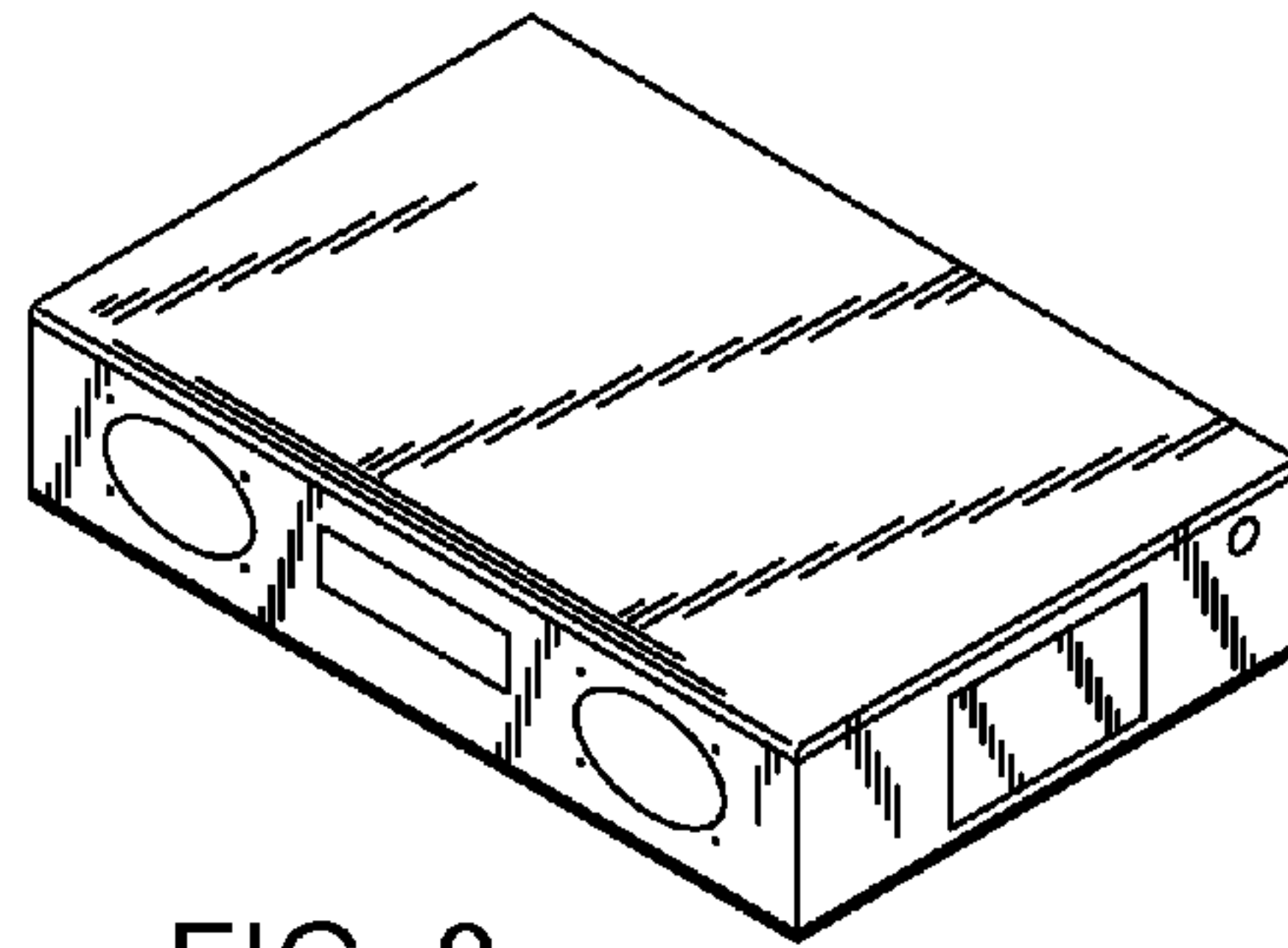


FIG. 8

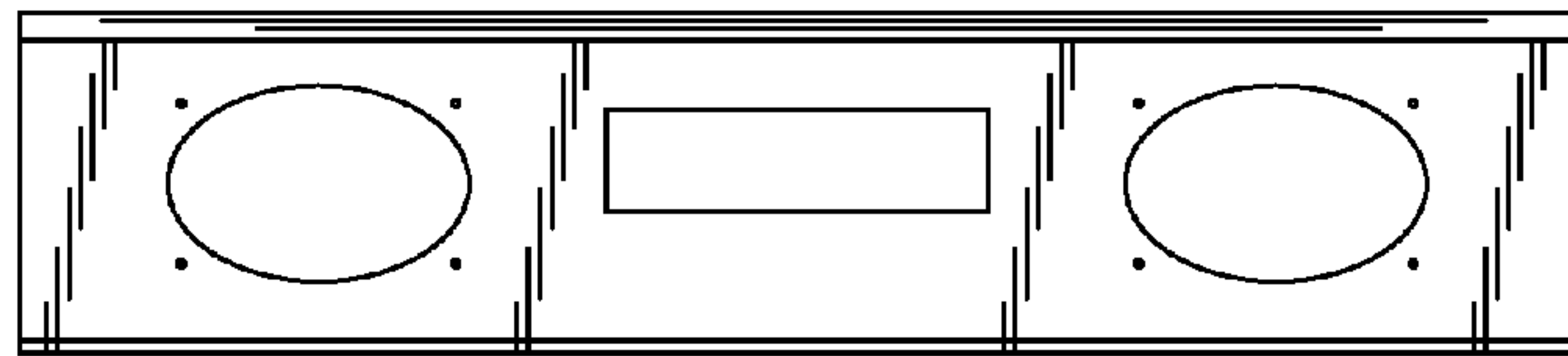


FIG. 9

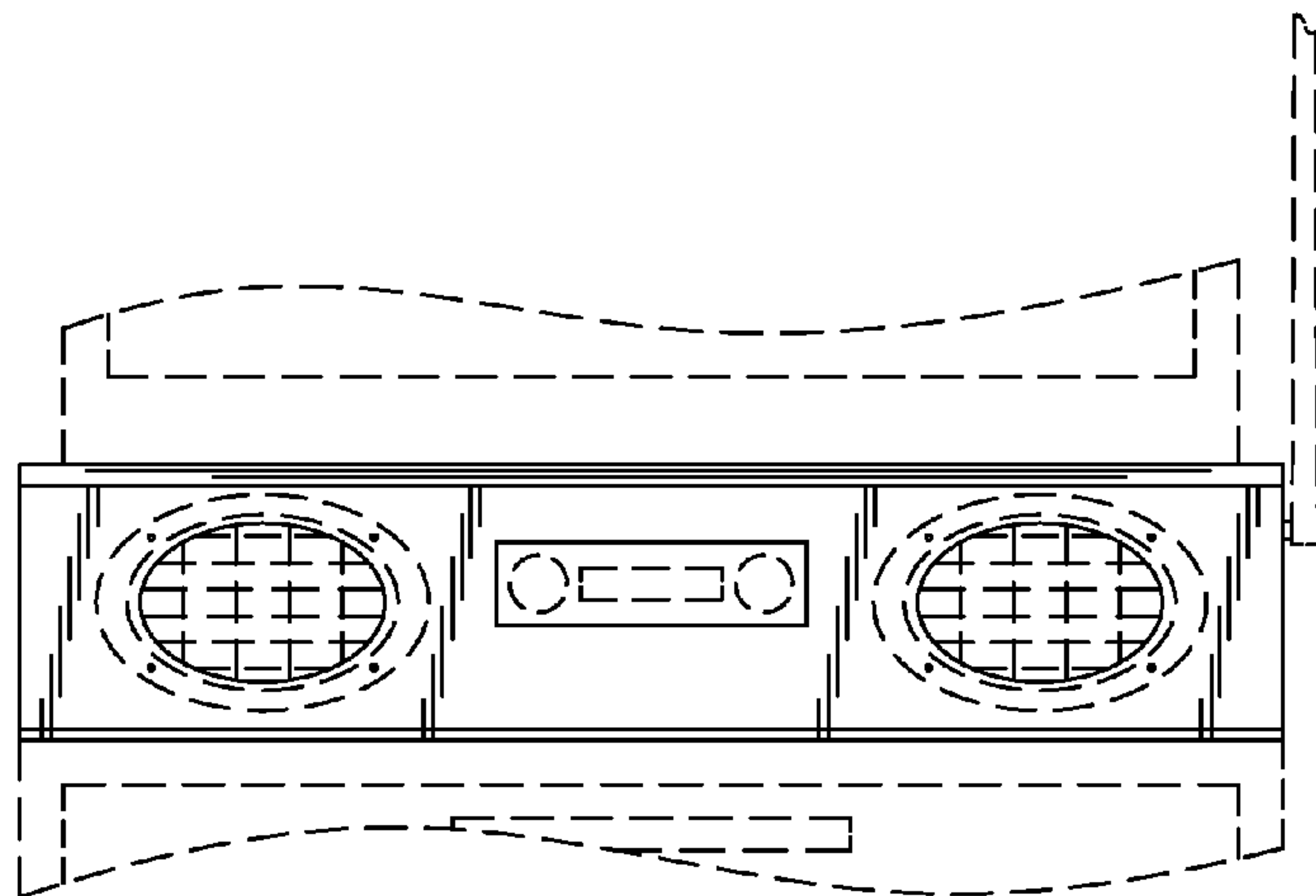


FIG. 2

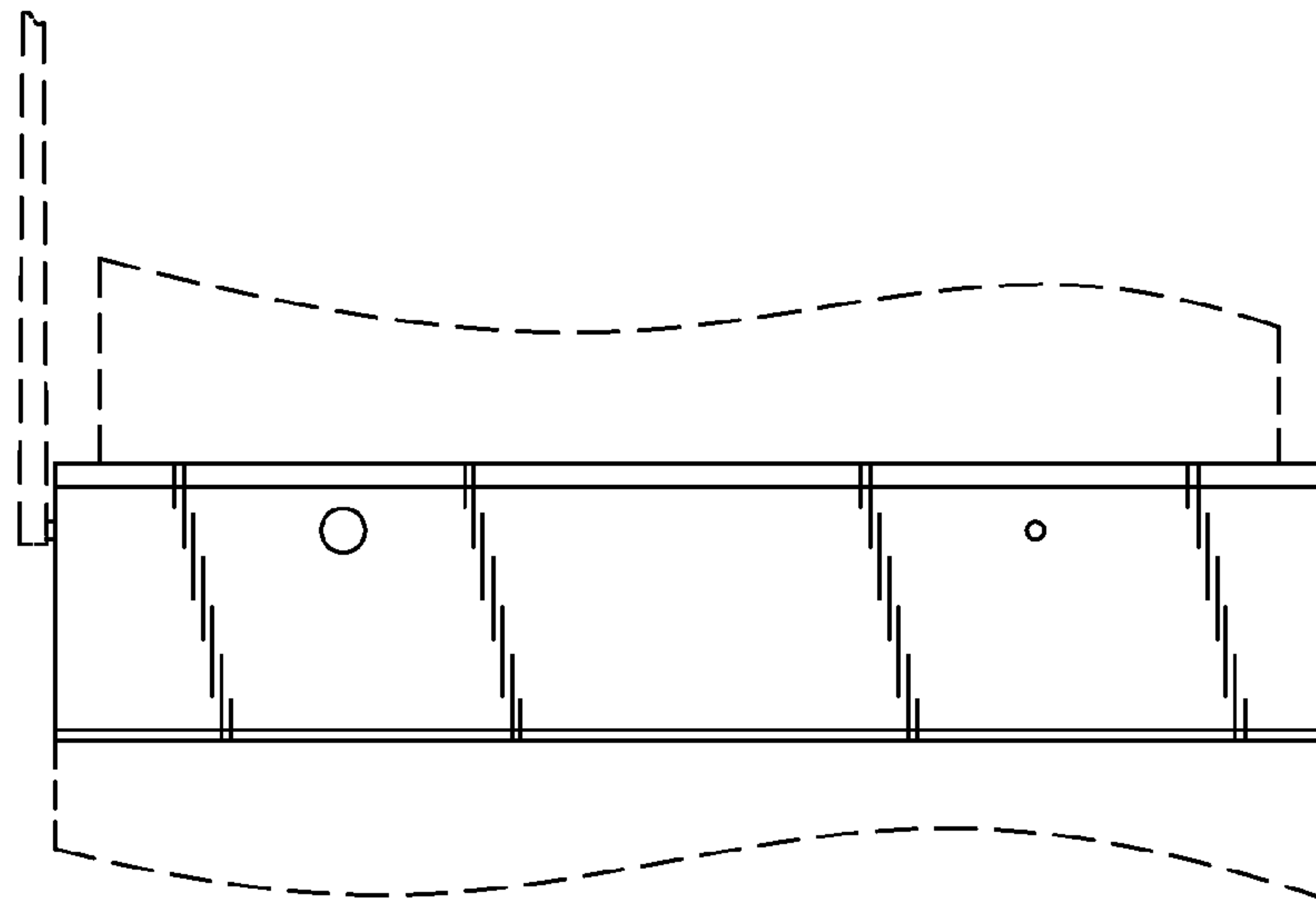


FIG. 3

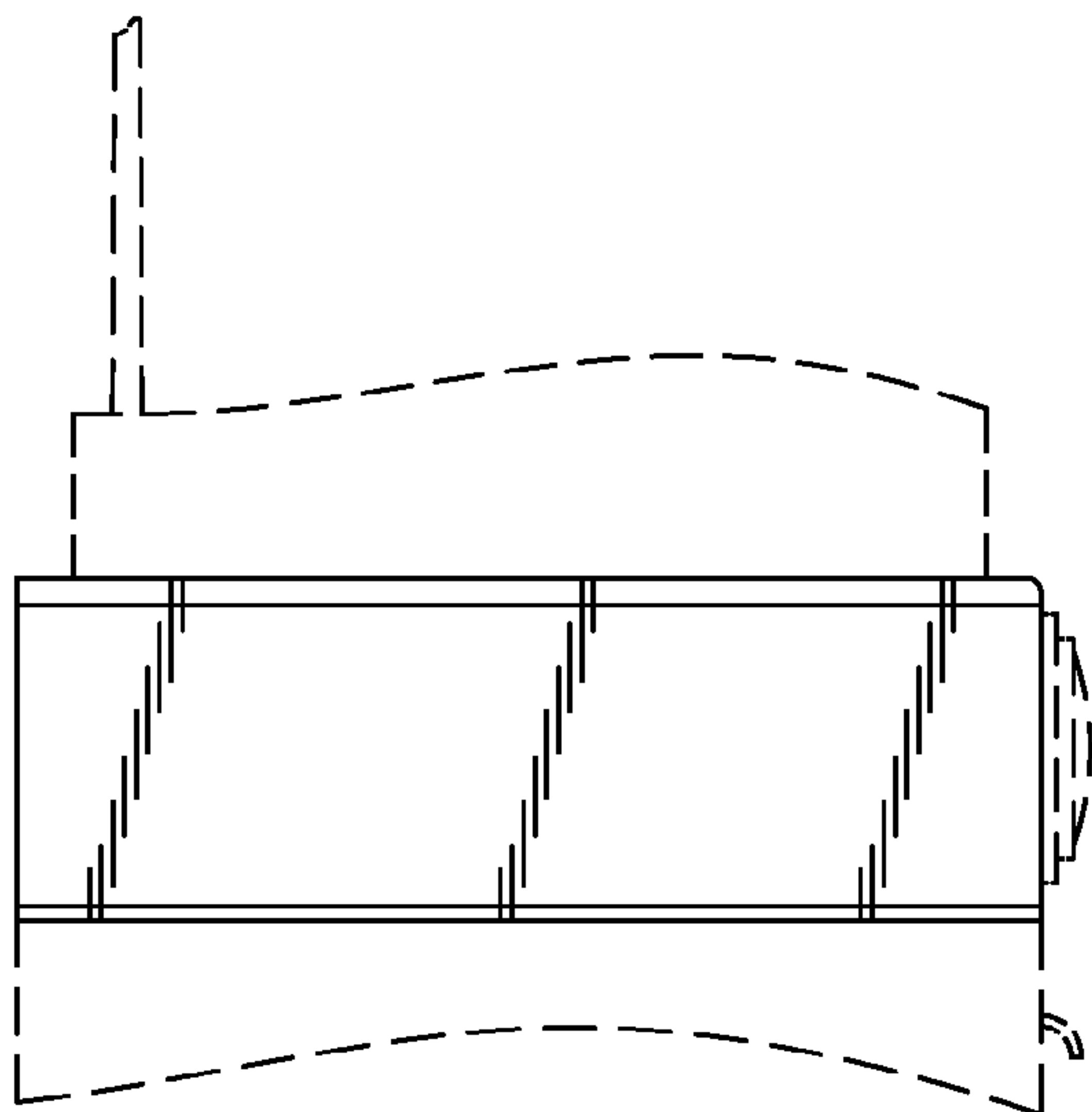


FIG. 4

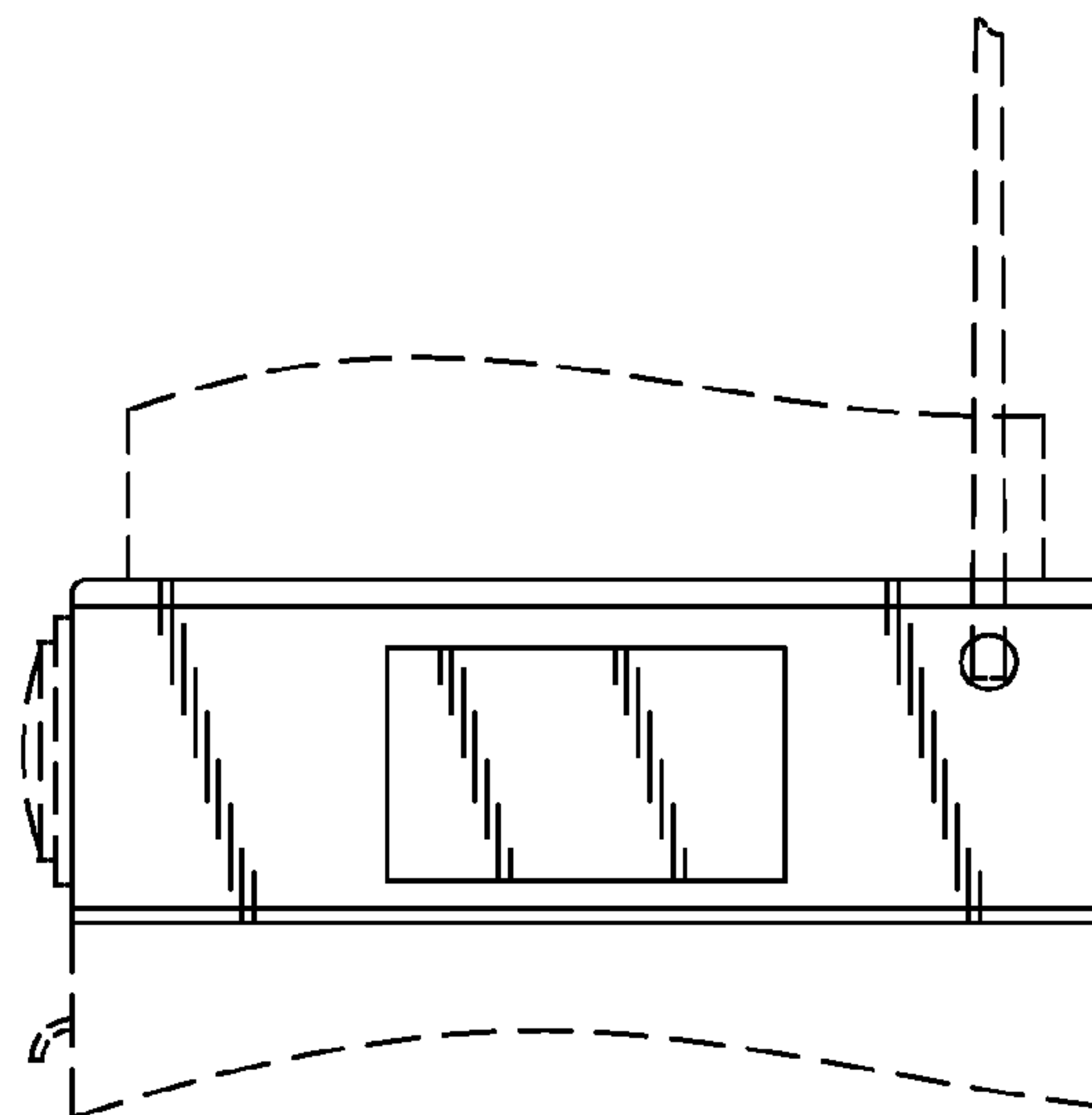


FIG. 5

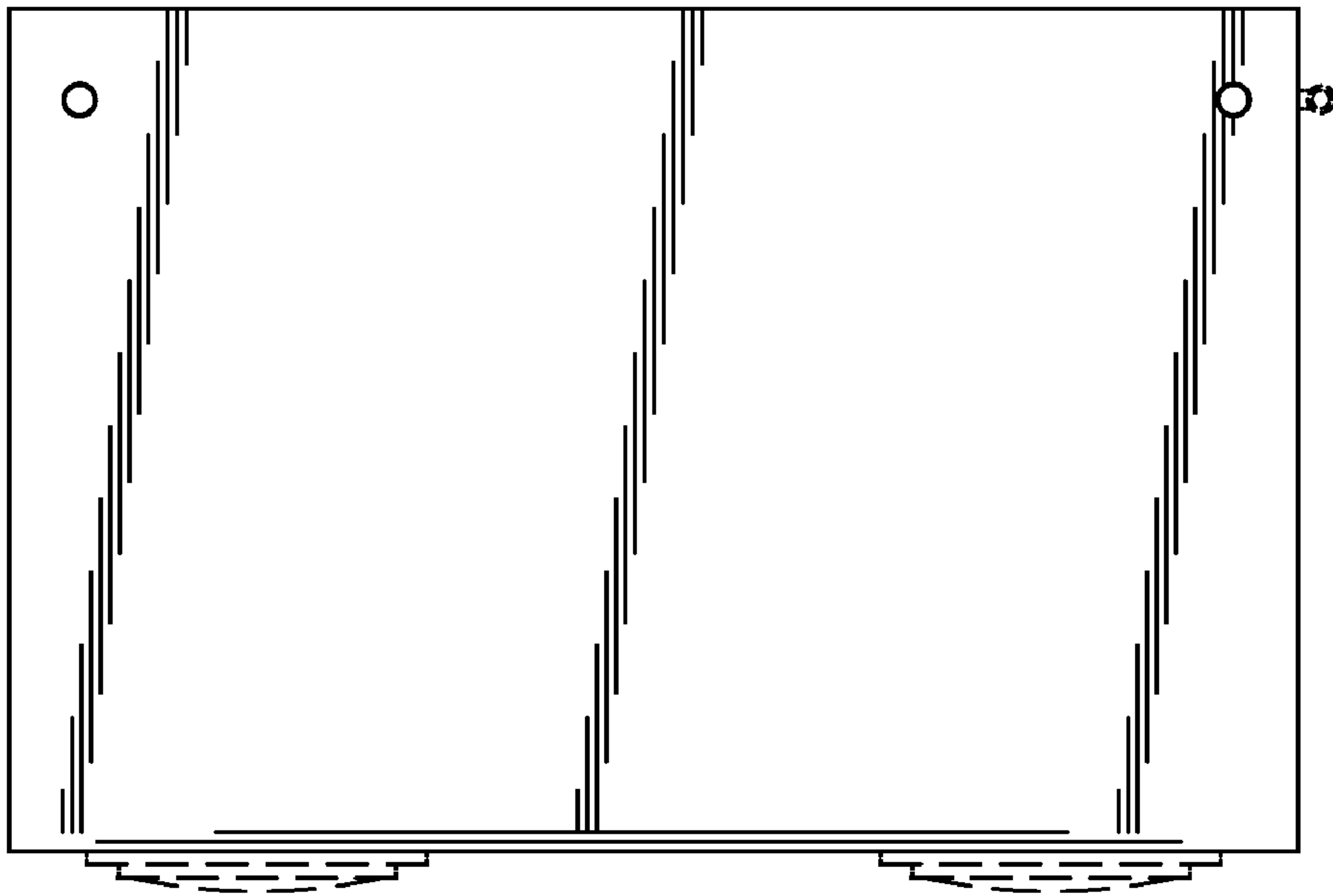


FIG. 6

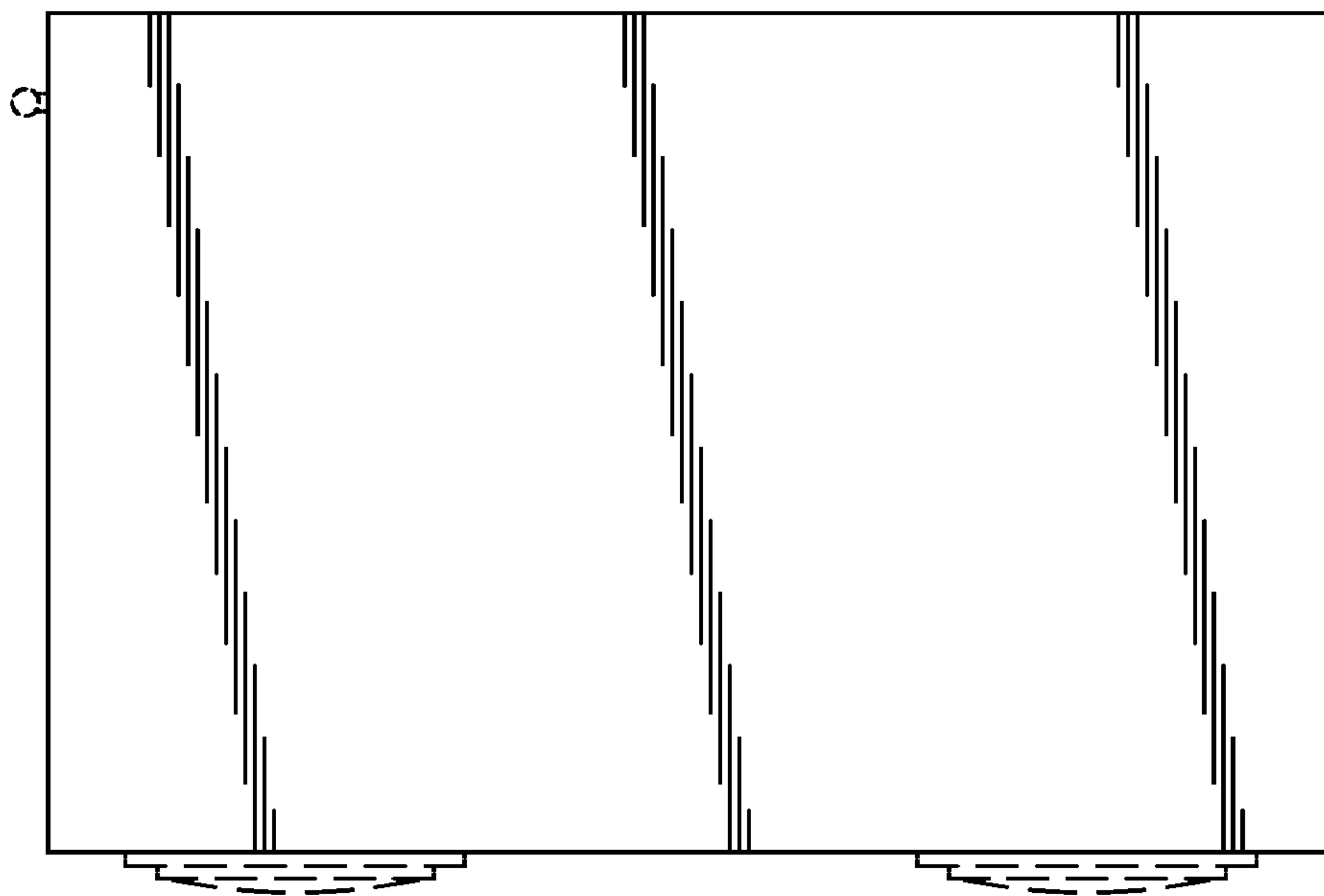


FIG. 7