



US00D634727S

(12) **United States Design Patent**  
**Wakabayashi**

(10) **Patent No.:** **US D634,727 S**  
(45) **Date of Patent:** **\*\* Mar. 22, 2011**

(54) **DIGITAL VOICE RECORDER**

(75) Inventor: **Eiji Wakabayashi**, Daito (JP)

(73) Assignee: **Sanyo Electric Co., Ltd.**, Osaka (JP)

(\*\*) Term: **14 Years**

(21) Appl. No.: **29/359,598**

(22) Filed: **Apr. 13, 2010**

(30) **Foreign Application Priority Data**

Oct. 14, 2009 (JP) ..... 2009-024042

(51) **LOC (9) Cl.** ..... **14-01**

(52) **U.S. Cl.** ..... **D14/167**

(58) **Field of Classification Search** ..... D14/167,  
D14/154, 168, 188, 496, 156, 160, 161, 162,  
D14/163, 164, 165, 158, 203.1, 341, 346,  
D14/342, 345, 225, 226, 228, 227, 214, 138;  
455/351, 350; D19/60, 62; D21/330; 369/44.14,  
369/44.32; 700/94

See application file for complete search history.

(56) **References Cited**

**U.S. PATENT DOCUMENTS**

D419,464 S \* 1/2000 Chang ..... D10/78  
D438,857 S \* 3/2001 Ishii ..... D14/161  
D473,535 S \* 4/2003 Ishii ..... D14/167  
D486,466 S \* 2/2004 Tanaka ..... D14/167  
D488,154 S \* 4/2004 Lovelady et al. .... D14/345  
D512,403 S \* 12/2005 Yang ..... D14/203.3  
D536,681 S \* 2/2007 Surtouc ..... D14/130

D570,839 S \* 6/2008 Hofer et al. .... D14/341  
D596,061 S \* 7/2009 Kurumagawa et al. .... D10/106  
D596,155 S \* 7/2009 Sakai ..... D14/167  
D611,925 S \* 3/2010 Miyazaki ..... D14/167  
D623,166 S \* 9/2010 Oka ..... D14/167

**FOREIGN PATENT DOCUMENTS**

JP D1307512 S 8/2007  
JP D1325538 S 3/2008  
JP D1329426 S 5/2008  
JP D1363071 S 6/2009

\* cited by examiner

*Primary Examiner* — Austin Murphy

(74) *Attorney, Agent, or Firm* — McDermott Will & Emery LLP

(57) **CLAIM**

The ornamental design for the digital voice recorder, as shown and described.

**DESCRIPTION**

FIG. 1 is a front perspective view of the digital voice recorder showing my new design.

FIG. 2 is a front view thereof;

FIG. 3 is a rear view thereof;

FIG. 4 is a left side view thereof;

FIG. 5 is a right side view thereof;

FIG. 6 is the top plan view thereof; and,

FIG. 7 is the bottom plan view thereof.

**1 Claim, 2 Drawing Sheets**

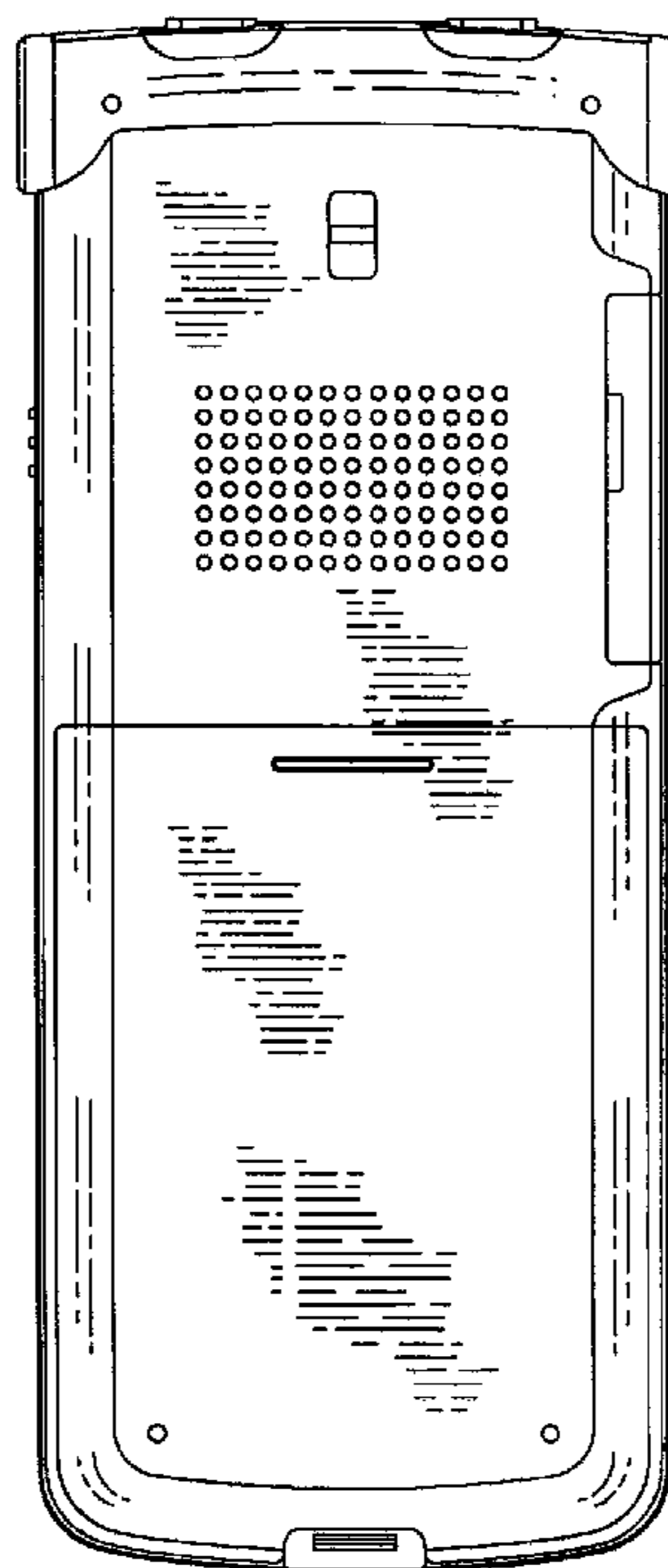
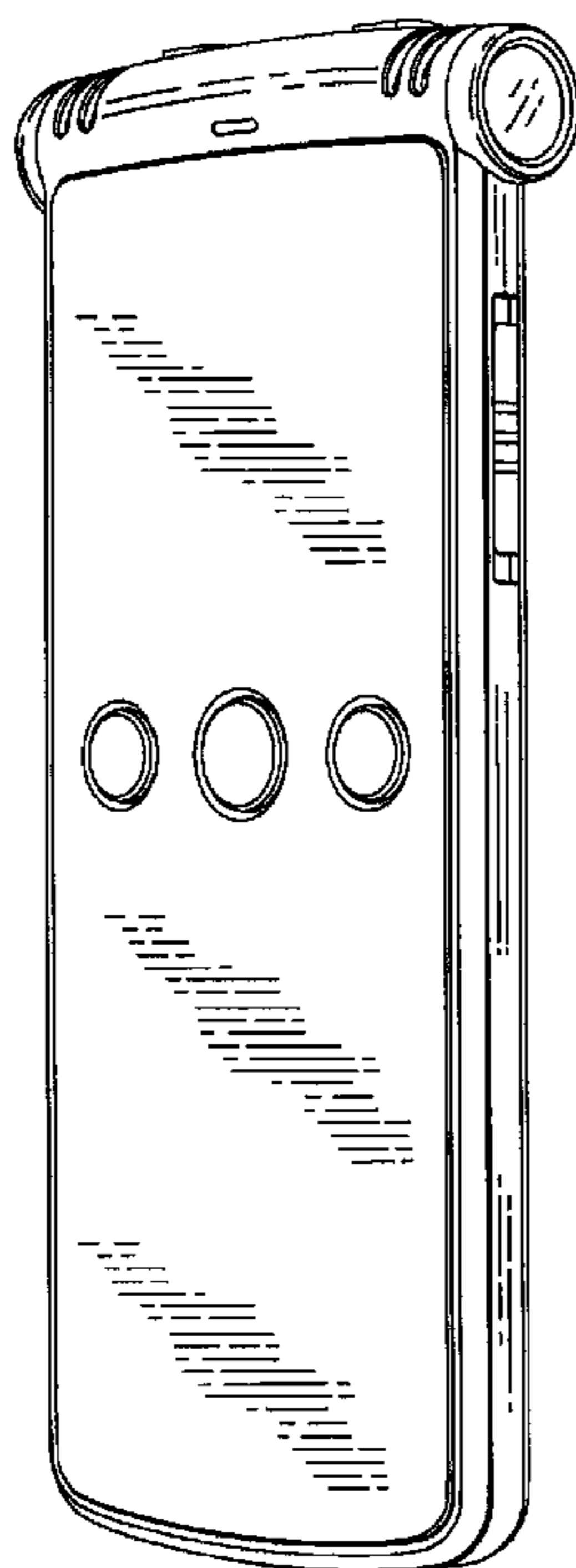


FIG.3

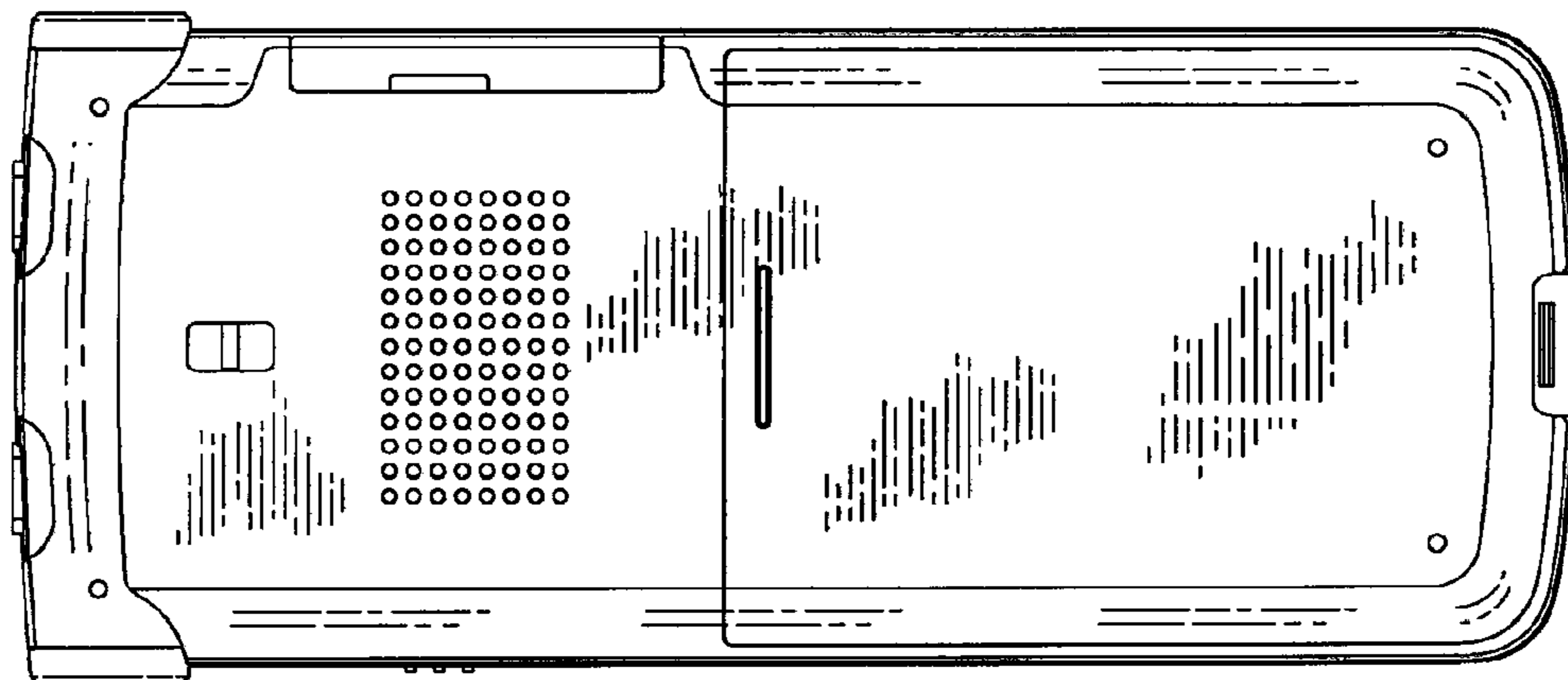


FIG.2

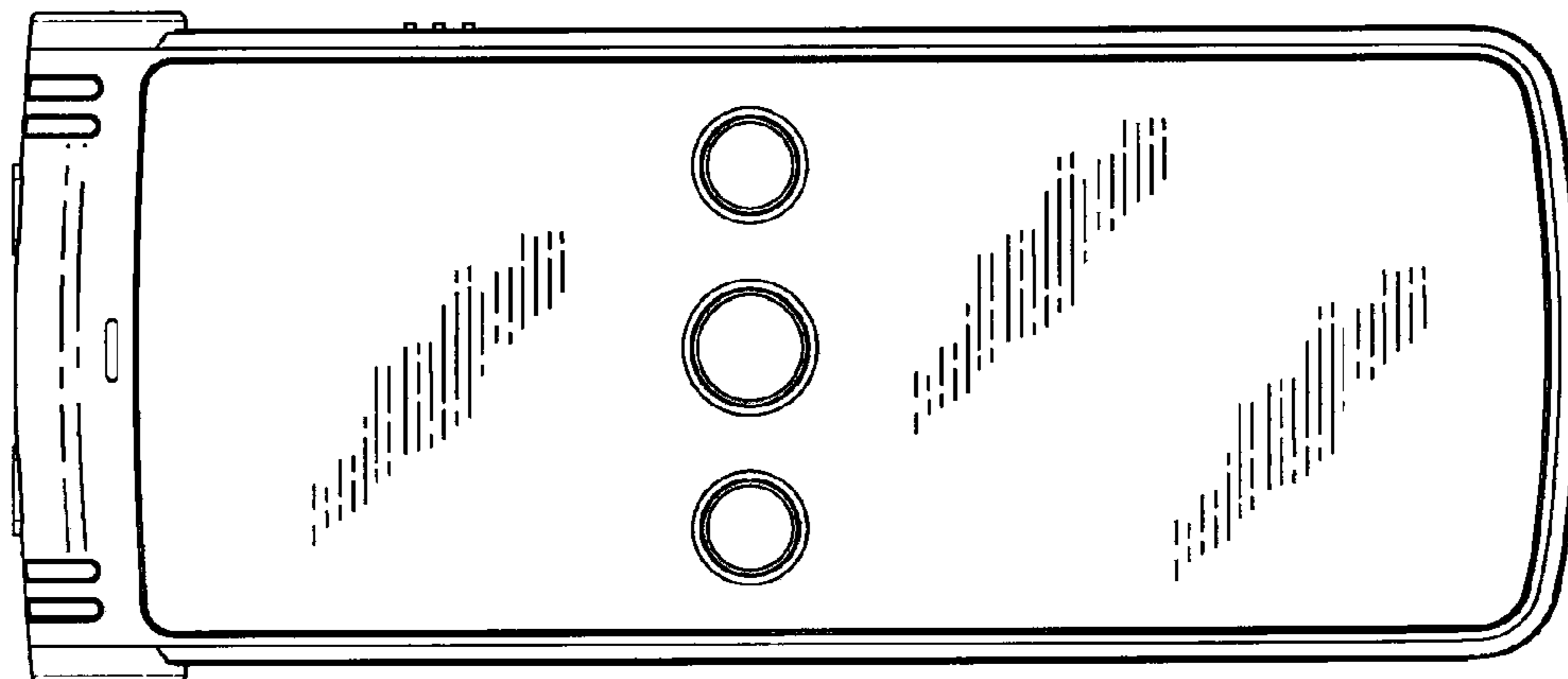


FIG.1

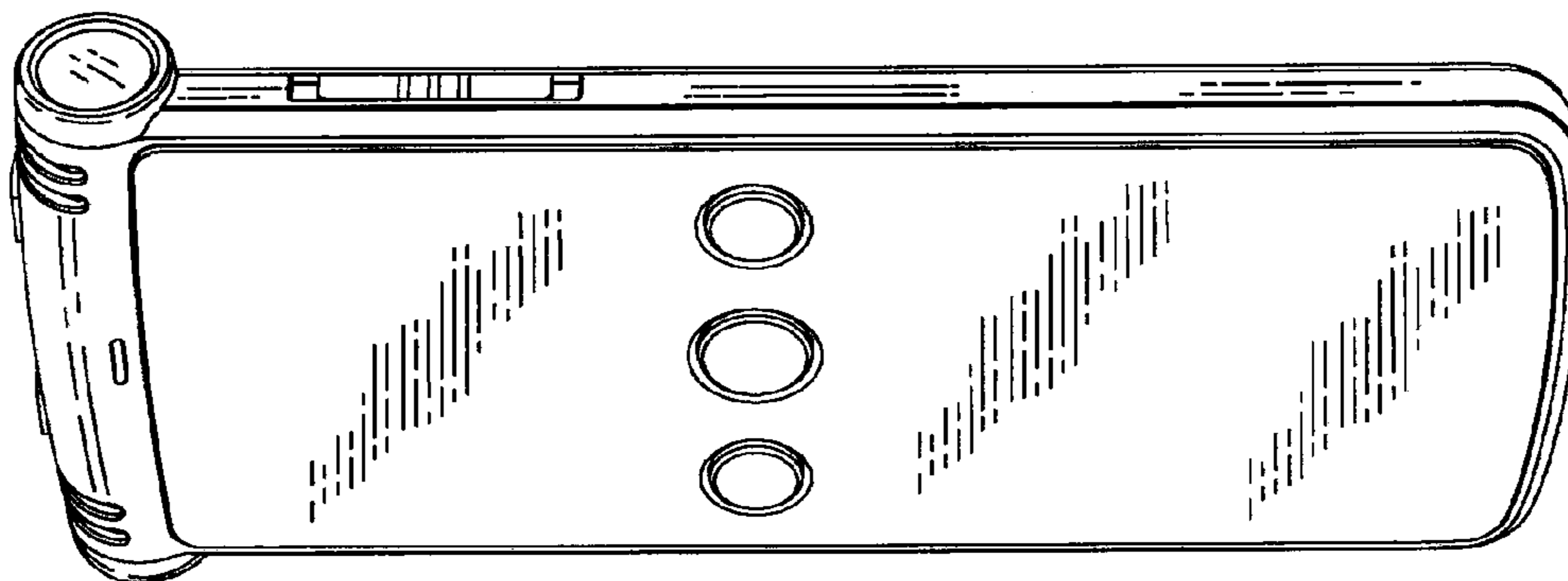


FIG.7

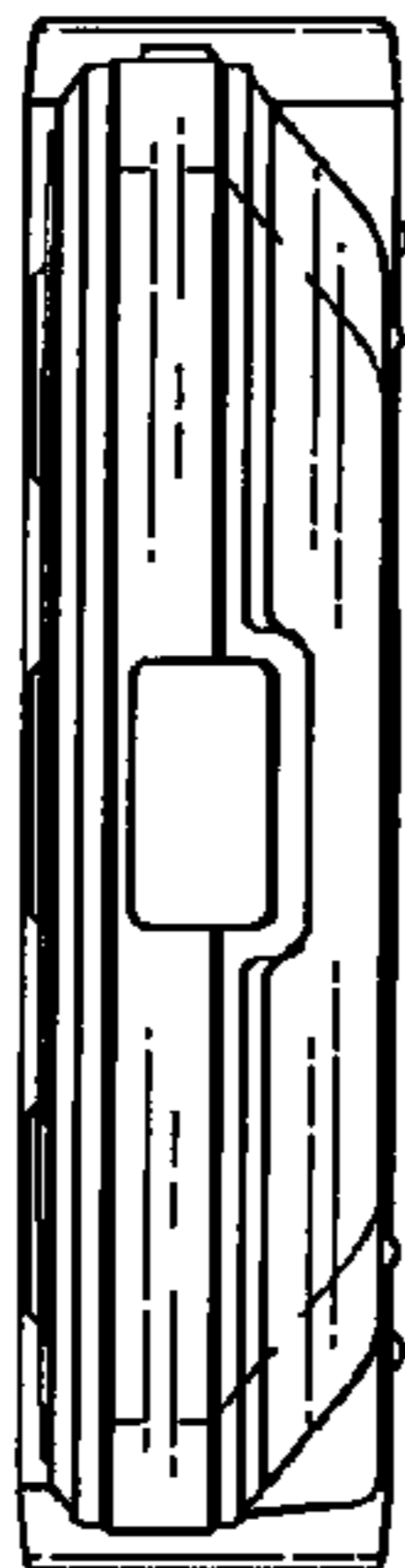


FIG.6

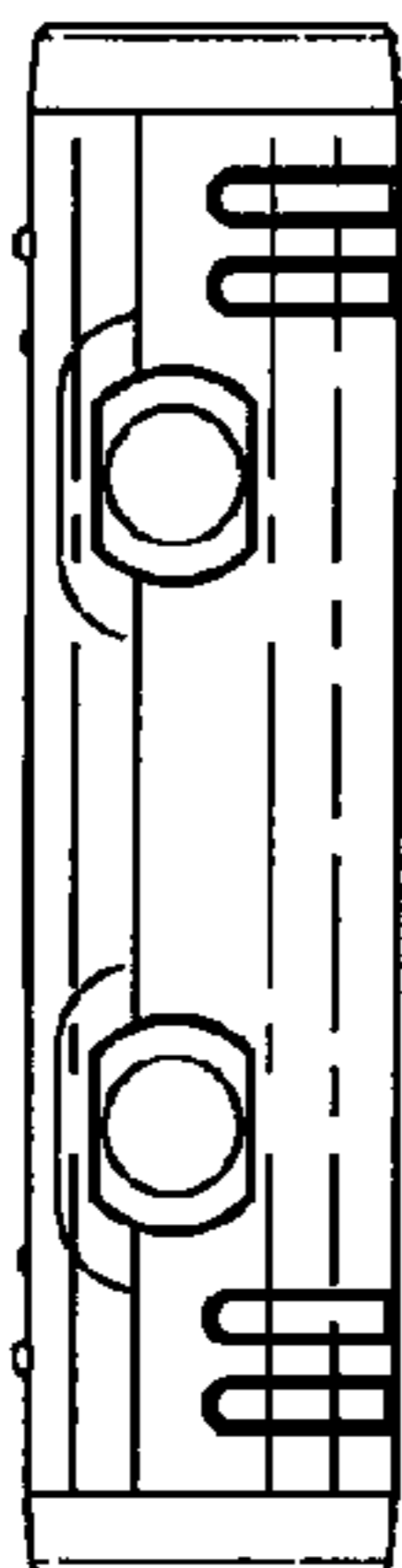


FIG.5

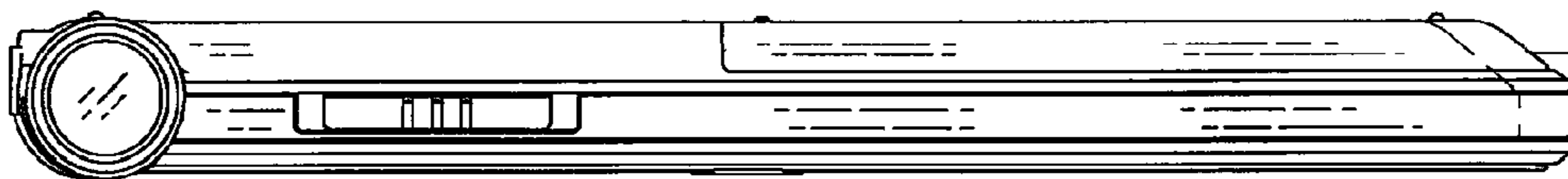


FIG.4

