

US00D634723S

(12) **United States Design Patent**
Park et al.

(10) **Patent No.:** **US D634,723 S**
(45) **Date of Patent:** **** Mar. 22, 2011**

(54) **TELEVISION**

(75) Inventors: **Soo Young Park**, Seoul (KR); **Kyung Min Kim**, Seoul (KR)

(73) Assignee: **LG Electronics Inc.**, Seoul (KR)

(**) Term: **14 Years**

(21) Appl. No.: **29/378,198**

(22) Filed: **Nov. 1, 2010**

(30) **Foreign Application Priority Data**

May 3, 2010 (KR) 30-2010-0019694

(51) **LOC (9) Cl.** **14-03**

(52) **U.S. Cl.** **D14/126**

(58) **Field of Classification Search** D14/125-134,
D14/239, 371, 136, 374-377, 440, 450, 448,
D14/336, 342; 312/7.2; 348/836, 838, 180,
348/184, 325, 739; 341/12; 248/917-924,
248/465; 345/104, 133, 156, 168, 87, 173;
720/605, 669, 600, 655; 369/99, 197; 455/344,
455/347; D21/329, 515, 577, 622, 333, 433,
D21/448, 452, 450, 331; D6/477, 479, 300;
273/148 B; 446/484, 175, 356; D10/15,
D10/26

See application file for complete search history.

(56) **References Cited**

U.S. PATENT DOCUMENTS

D412,891 S *	8/1999	Sumii	D14/374
D540,285 S *	4/2007	Kita	D14/126
D545,279 S *	6/2007	Bloem	D14/126
D545,783 S *	7/2007	Leung	D14/126
D563,337 S *	3/2008	Bloem	D14/126
D568,266 S *	5/2008	Shimamoto	D14/126
D578,973 S *	10/2008	Chiu	D14/126
D620,461 S *	7/2010	Han et al.	D14/126

* cited by examiner

Primary Examiner — Raphael Barkai

(74) *Attorney, Agent, or Firm* — Morgan, Lewis & Bockius LLP

(57) **CLAIM**

The ornamental design for a television, as shown and described.

DESCRIPTION

FIG. 1 is a top, front, perspective view of a television showing our new design;
FIG. 2 is a front view thereof;
FIG. 3 is a rear view thereof;
FIG. 4 is a left side view thereof;
FIG. 5 is a right side view thereof;
FIG. 6 is a top view thereof; and,
FIG. 7 is a bottom view thereof.

1 Claim, 5 Drawing Sheets

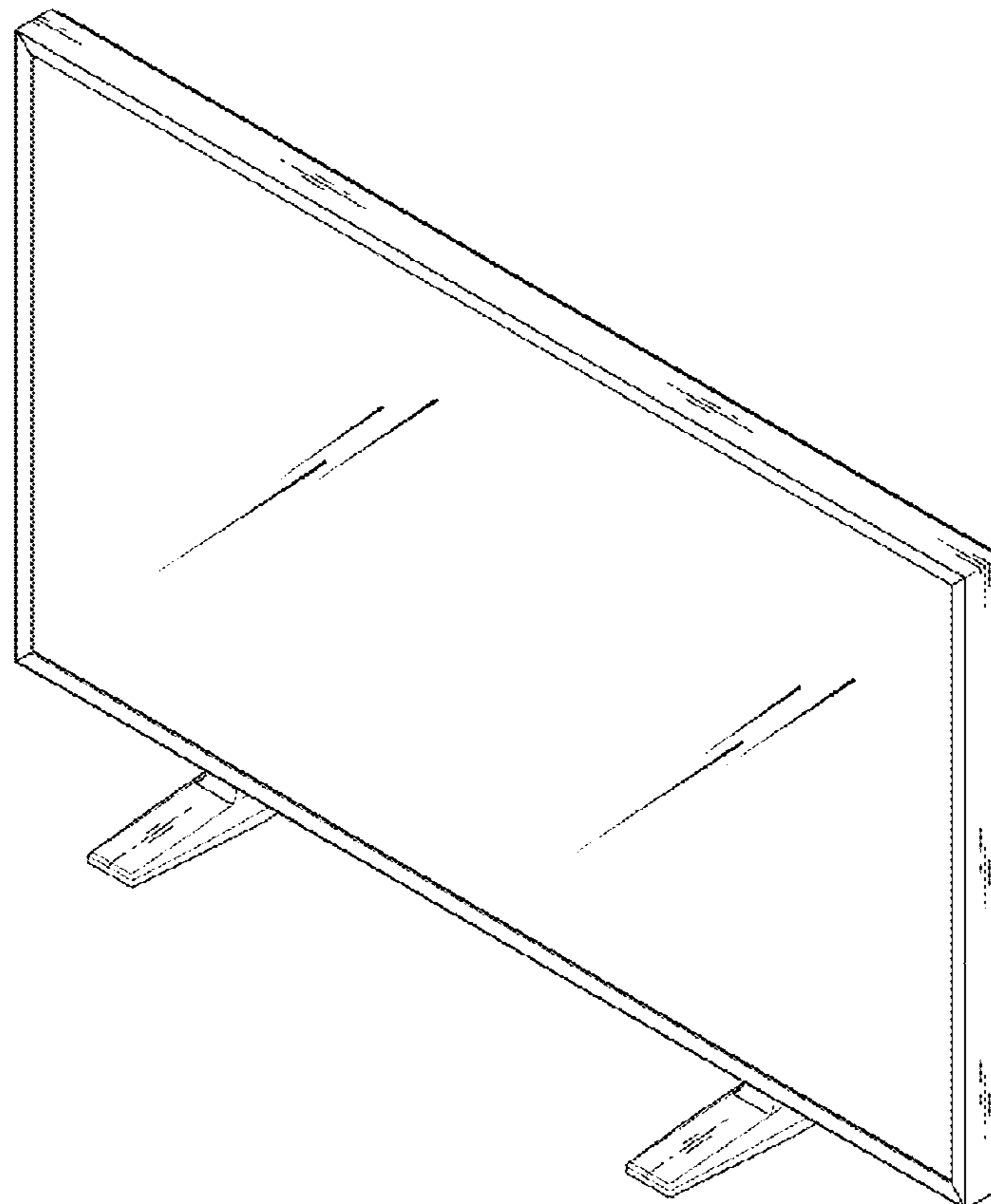


FIG. 1

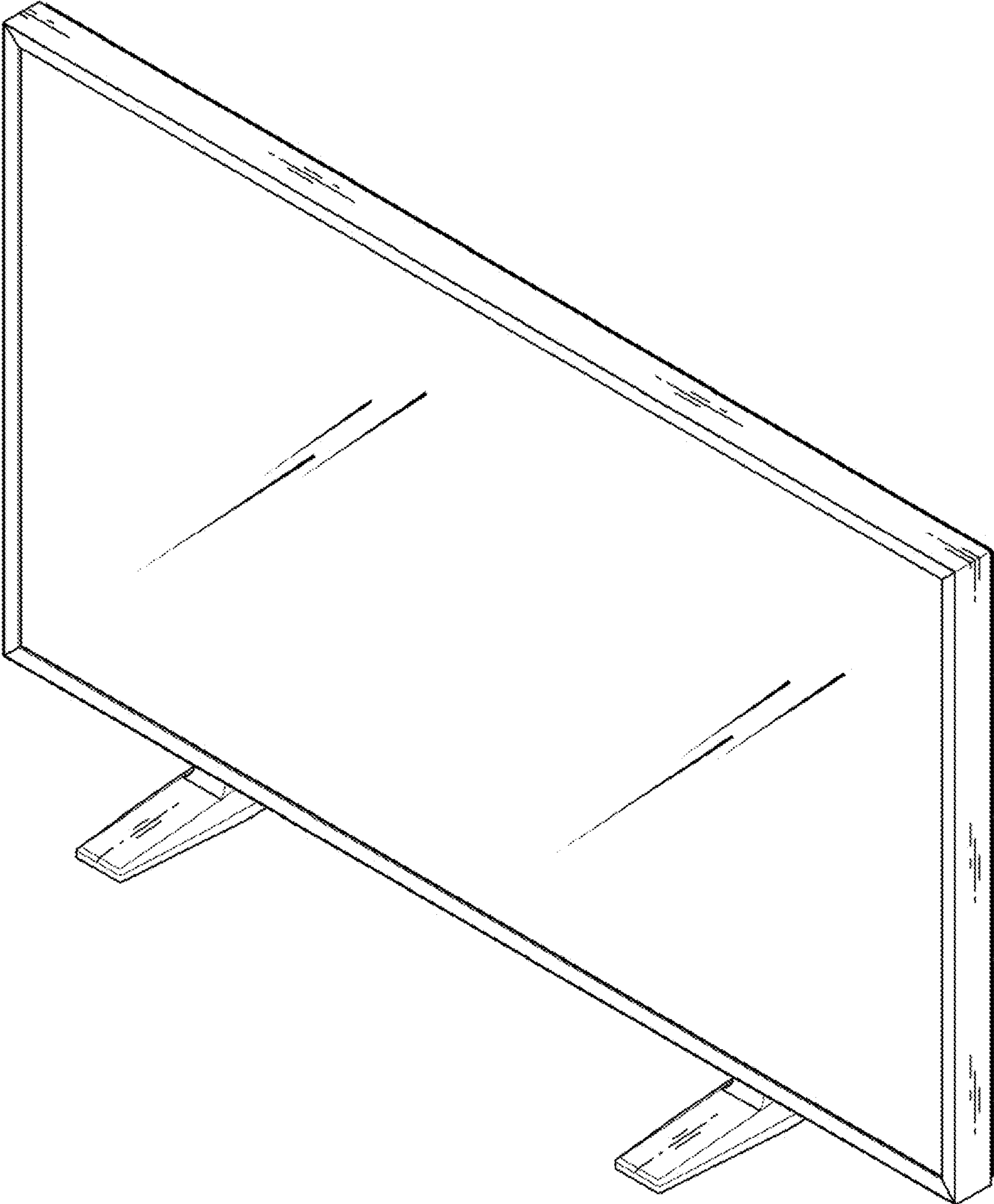


FIG. 2

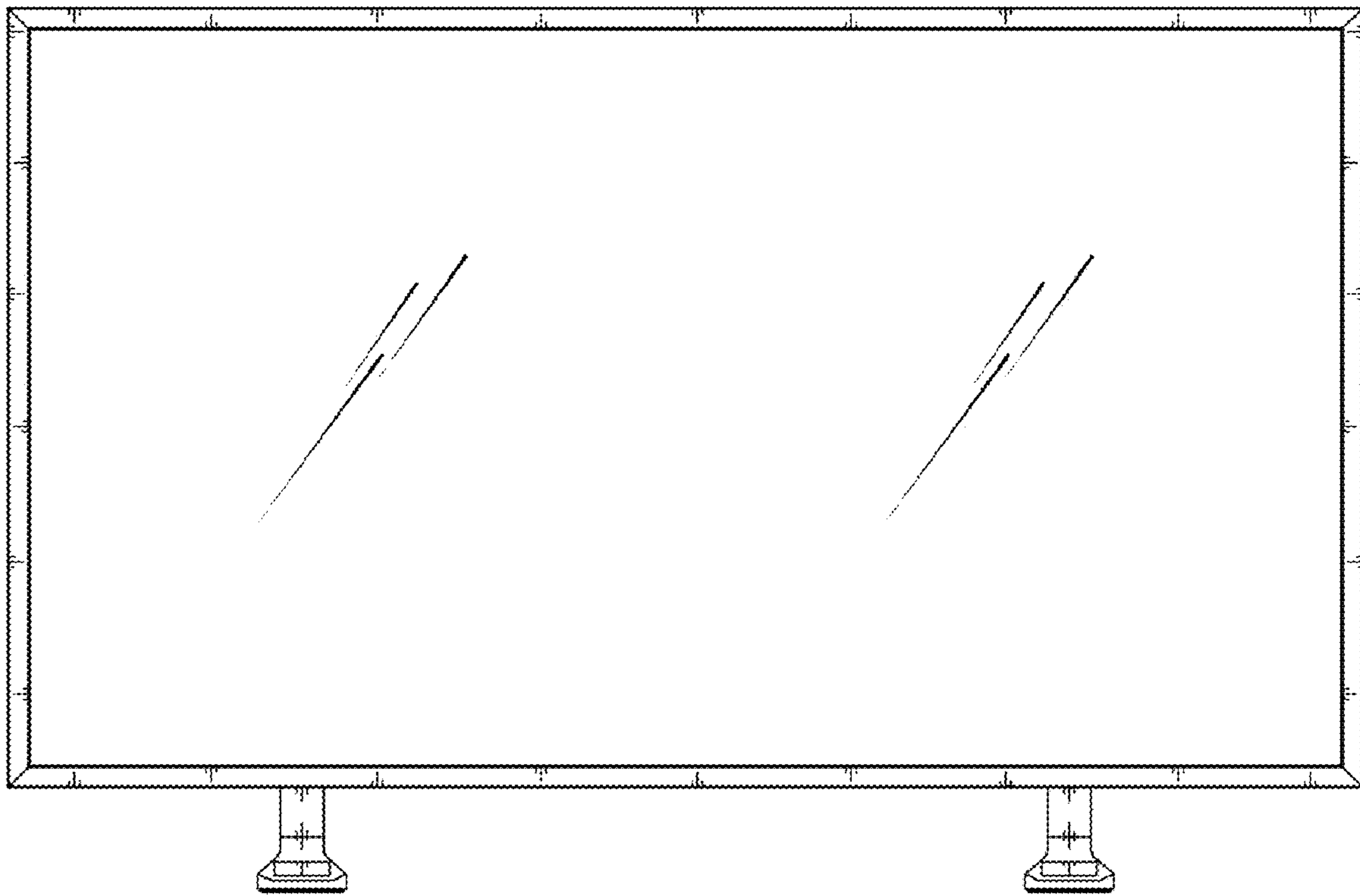


FIG. 3

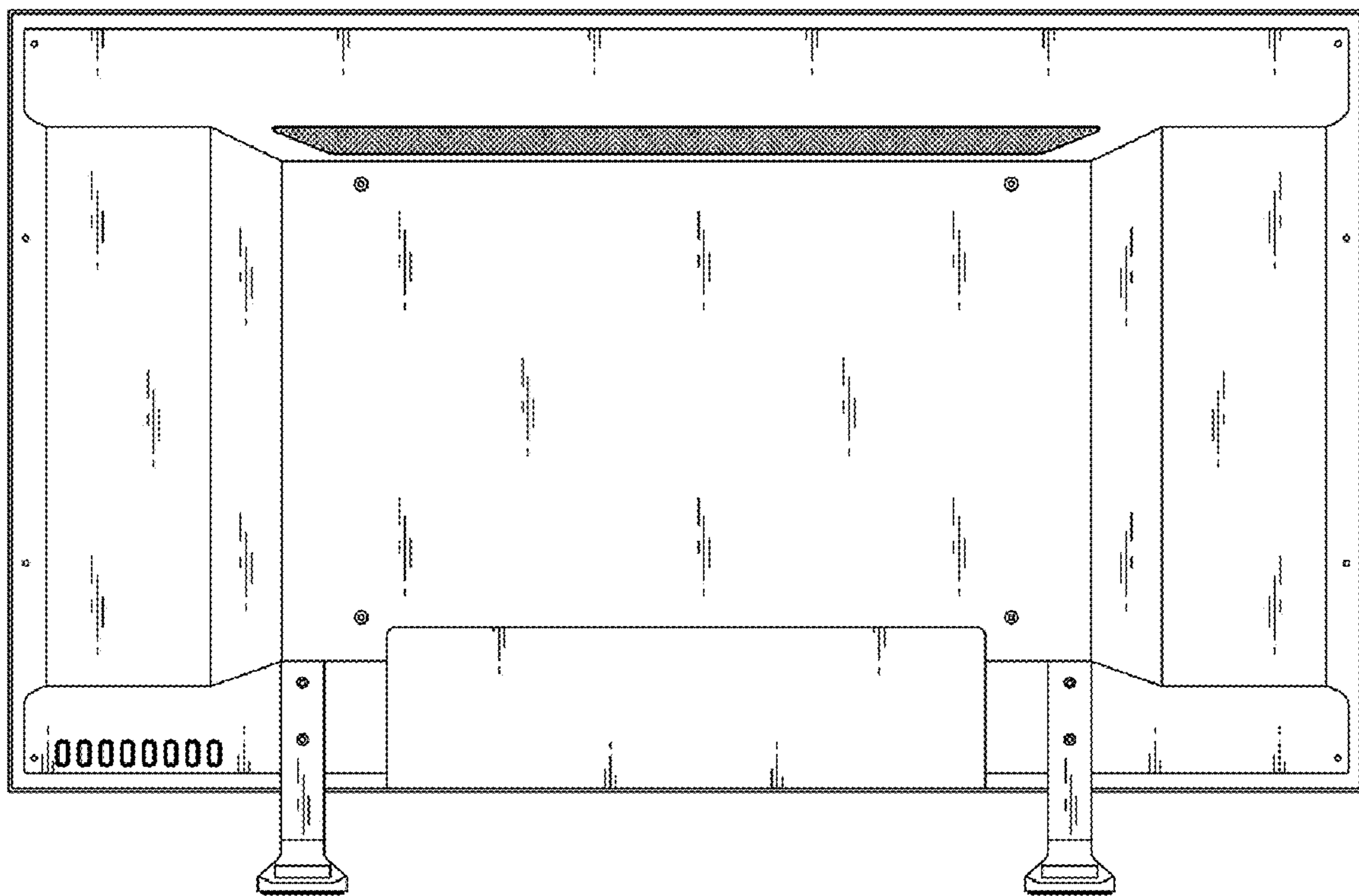


FIG. 4

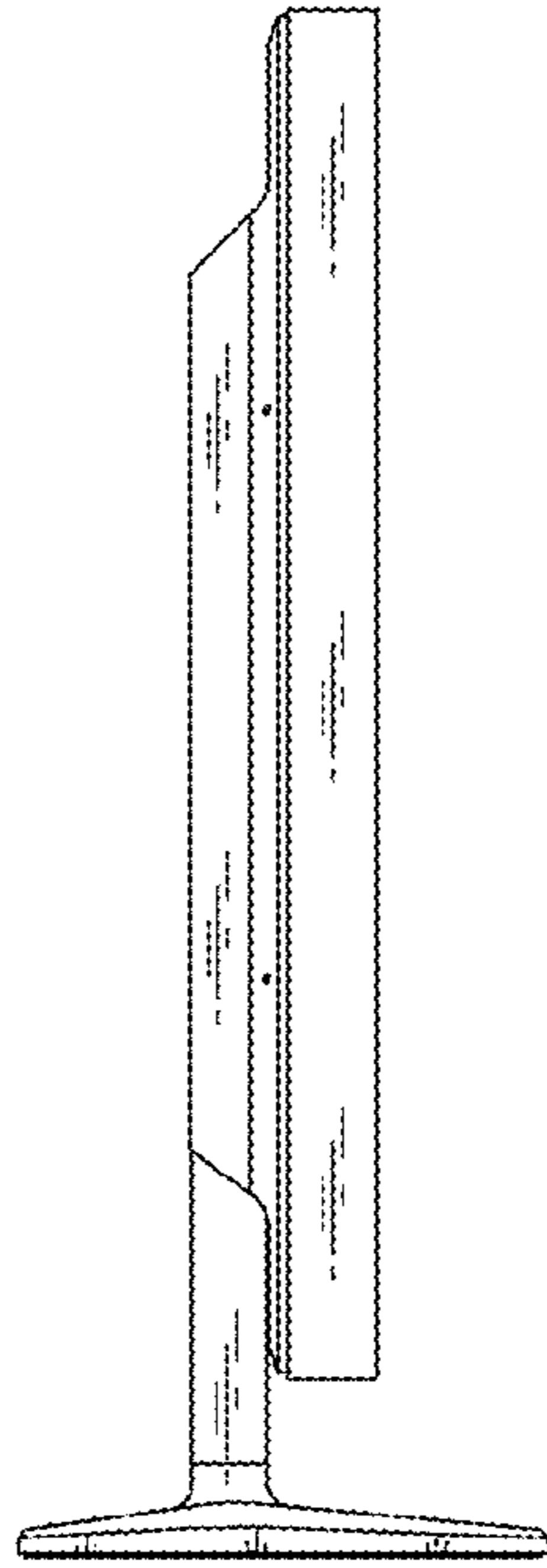


FIG. 5

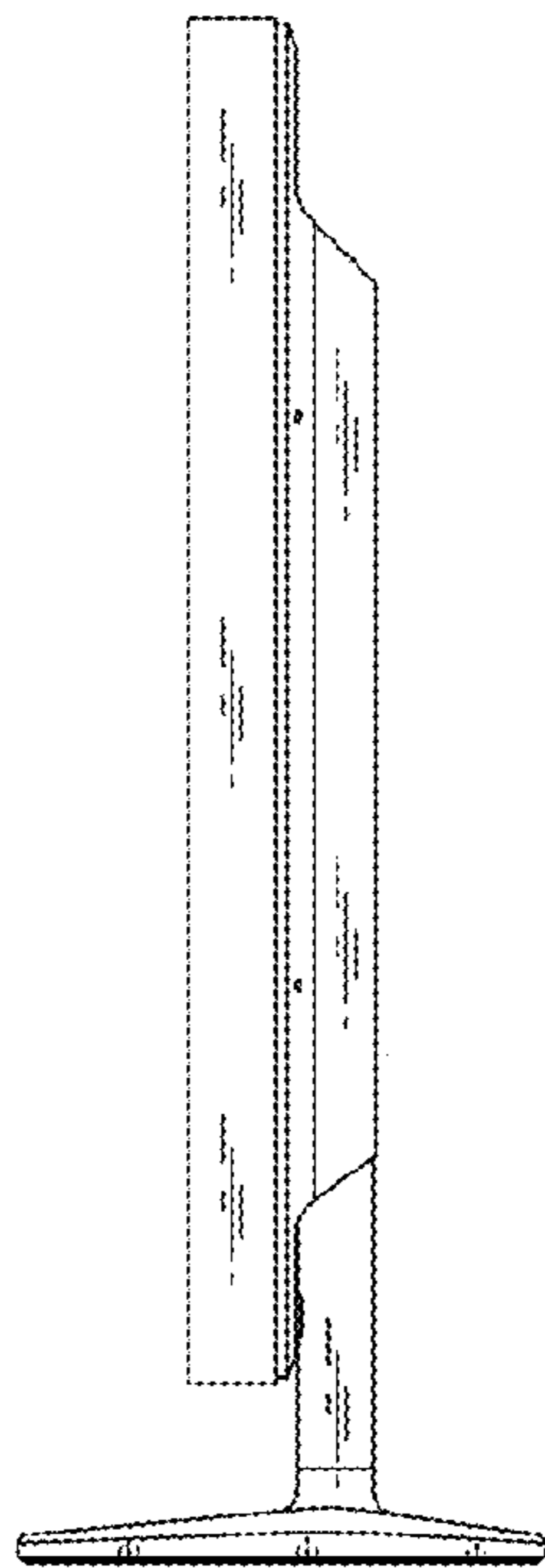


FIG. 6

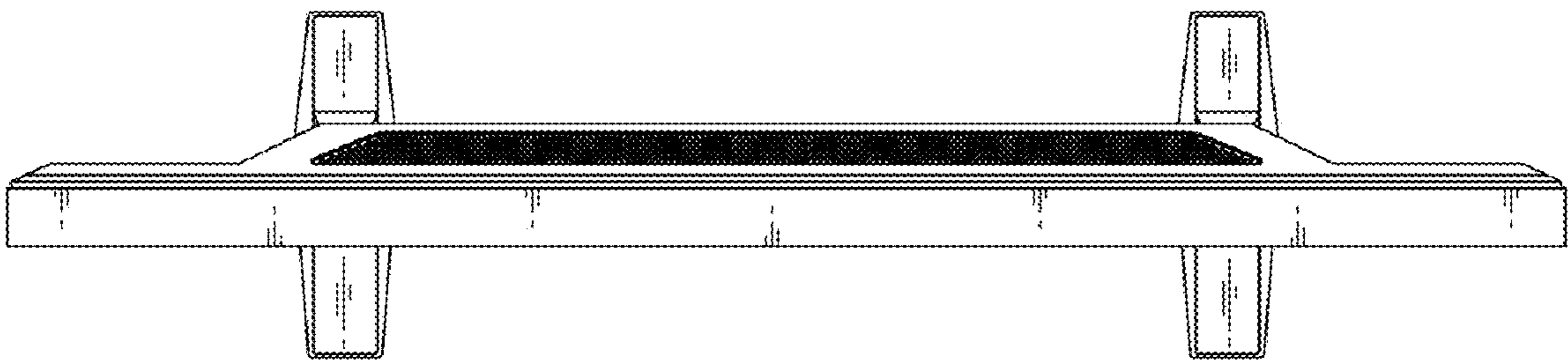


FIG. 7

