



US00D634722S

(12) **United States Design Patent**  
**Kim et al.**

(10) **Patent No.:** **US D634,722 S**  
(45) **Date of Patent:** **\*\* Mar. 22, 2011**

(54) **TELEVISION SET**

(75) Inventors: **Kyoung-Hoon Kim**, Seongnam-si (KR);  
**Dae-Hun Jung**, Seoul (KR)

(73) Assignee: **Samsung Electronics Co., Ltd.** (KR)

(\*\*) Term: **14 Years**

(21) Appl. No.: **29/364,075**

(22) Filed: **Jun. 18, 2010**

(30) **Foreign Application Priority Data**

Feb. 25, 2010 (KR) ..... 30-2010-0008276

(51) **LOC (9) Cl.** ..... **14-03**

(52) **U.S. Cl.** ..... **D14/126**

(58) **Field of Classification Search** ..... D14/125-134,  
D14/239, 371, 136, 374-377, 440, 450, 448,  
D14/336, 342; 312/7.2; 348/836, 838, 180,  
348/184, 325, 739; 341/12; 248/917-924,  
248/465; 345/104, 133, 156, 168, 87, 173;  
720/605, 669, 600, 655; 369/99, 197; 455/344,  
455/347; D21/329, 515, 577, 622, 333, 433,  
D21/448, 452, 450, 331; D6/477, 479, 300;  
273/148 B; 446/484, 175, 356; D10/15,  
D10/26

See application file for complete search history.

(56) **References Cited**

U.S. PATENT DOCUMENTS

D412,891 S *	8/1999	Sumii .....	D14/374
D545,279 S *	6/2007	Bloem .....	D14/126
D548,708 S *	8/2007	Park et al. ....	D14/126
D563,337 S *	3/2008	Bloem .....	D14/126
D570,841 S *	6/2008	Kim et al. ....	D14/375
D578,973 S *	10/2008	Chiu .....	D14/126
D620,461 S *	7/2010	Han et al. ....	D14/126

\* cited by examiner

*Primary Examiner* — Raphael Barkai

(74) *Attorney, Agent, or Firm* — Cantor Colburn LLP

(57) **CLAIM**

We claim, the ornamental design for a television set, as shown and described.

**DESCRIPTION**

FIG. 1 is a perspective view of television set, showing our new design;

FIG. 2 is a front elevational view thereof;

FIG. 3 is a rear elevational view thereof;

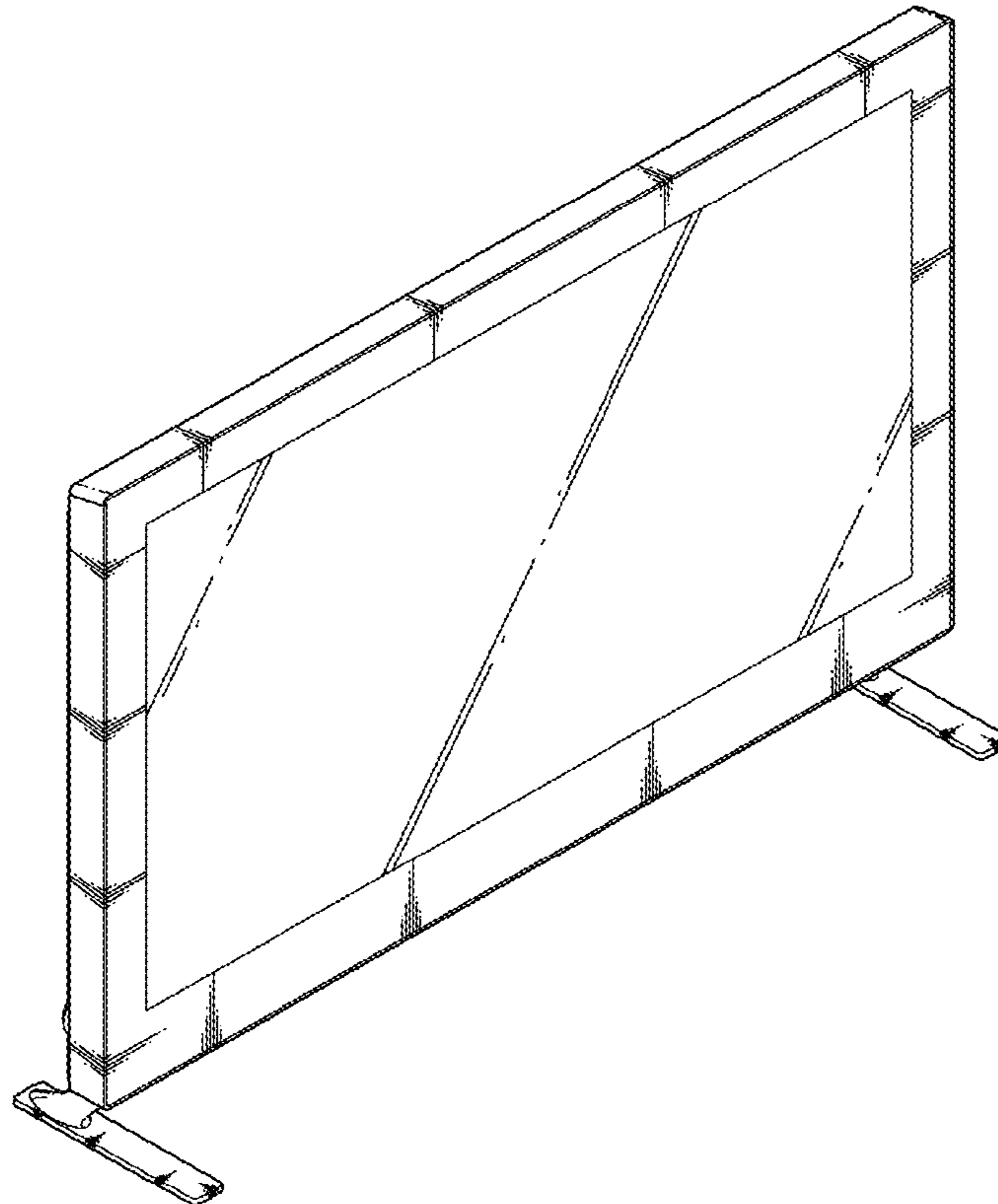
FIG. 4 is a left side elevational view thereof;

FIG. 5 is a right side elevational view thereof;

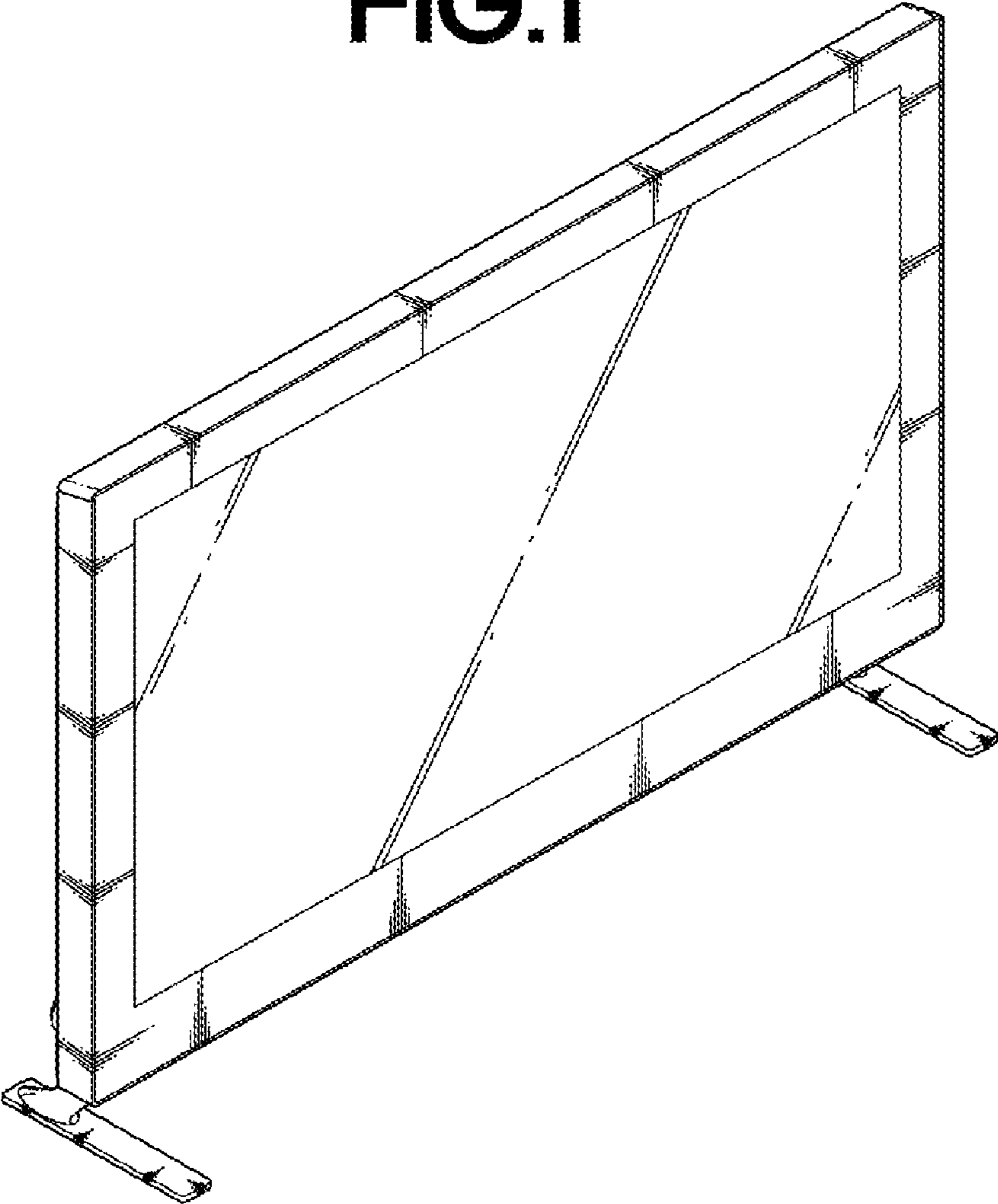
FIG. 6 is a top plan view thereof; and,

FIG. 7 is a bottom plan view thereof.

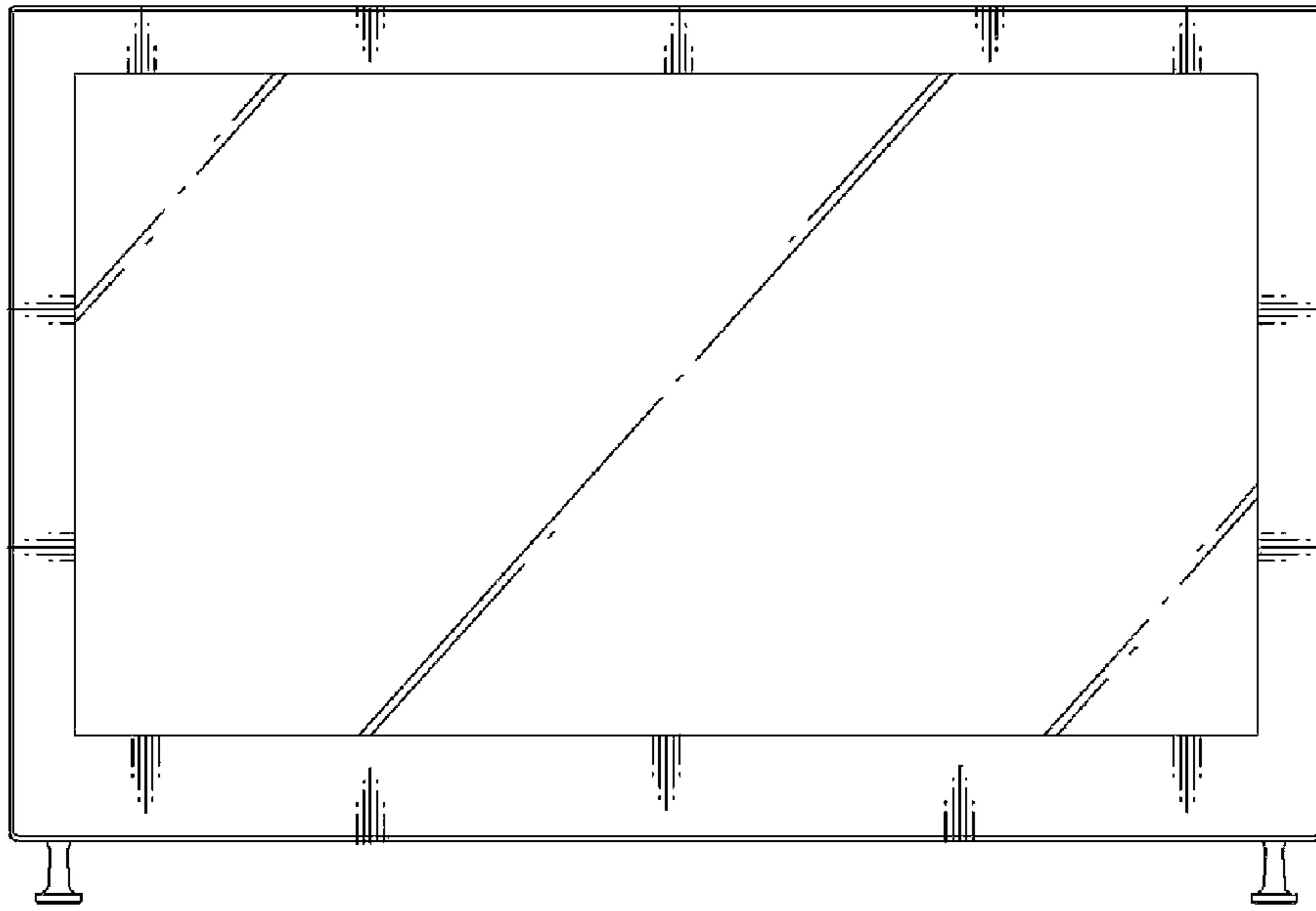
**1 Claim, 4 Drawing Sheets**



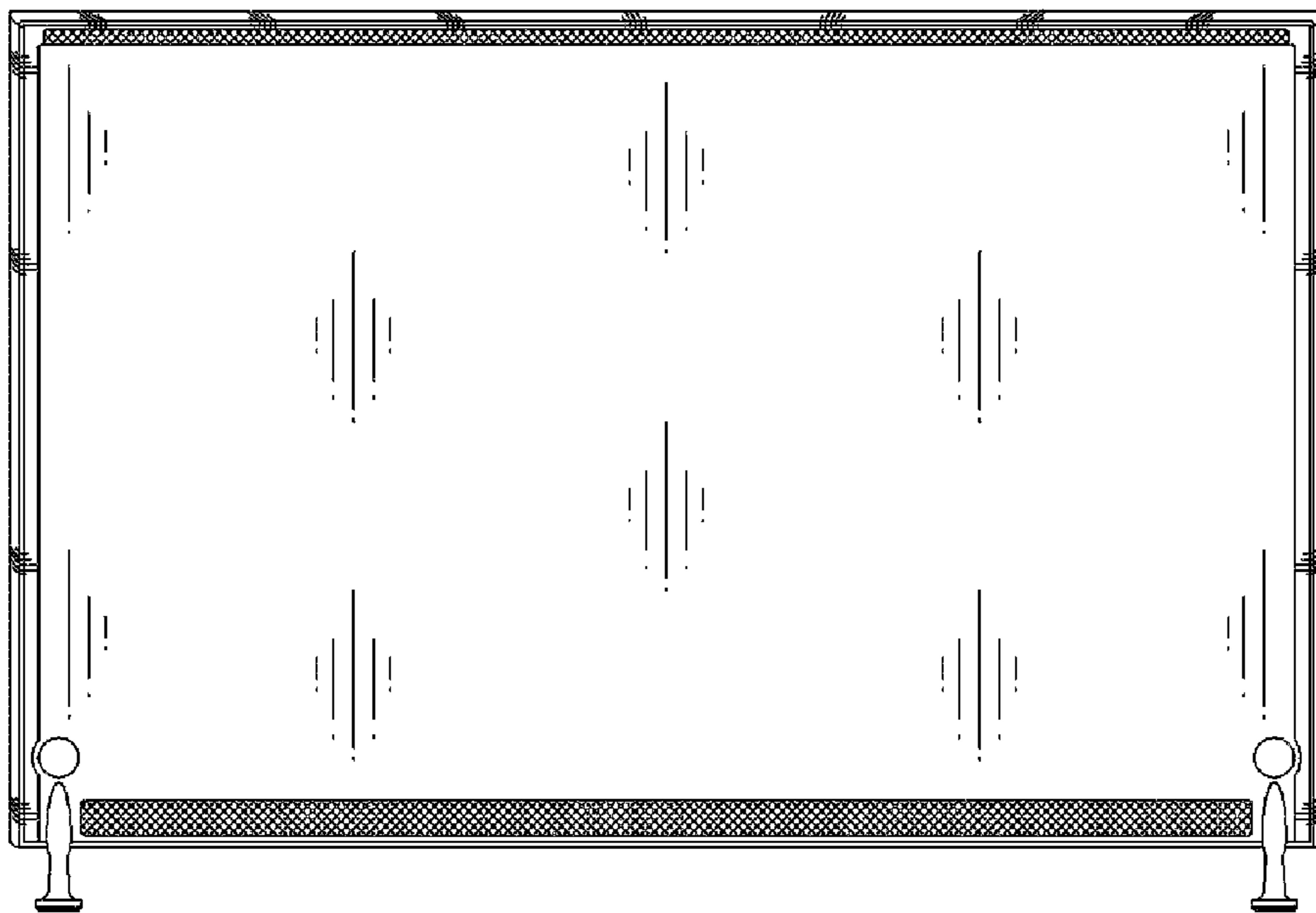
**FIG. 1**



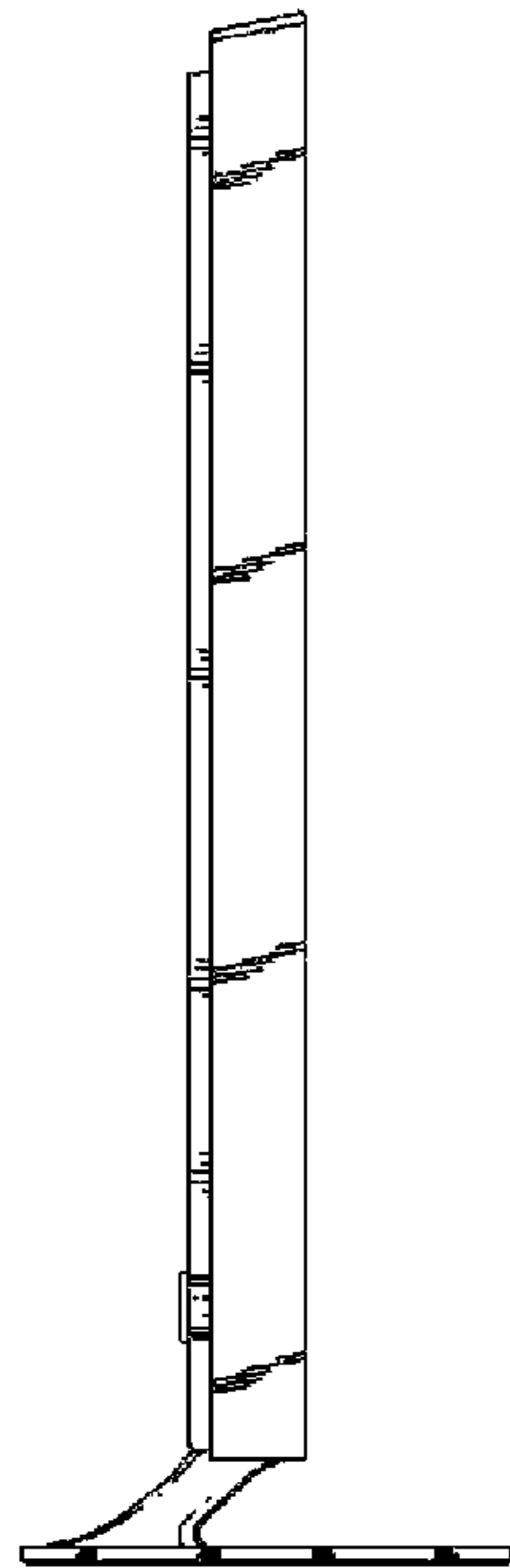
**FIG.2**



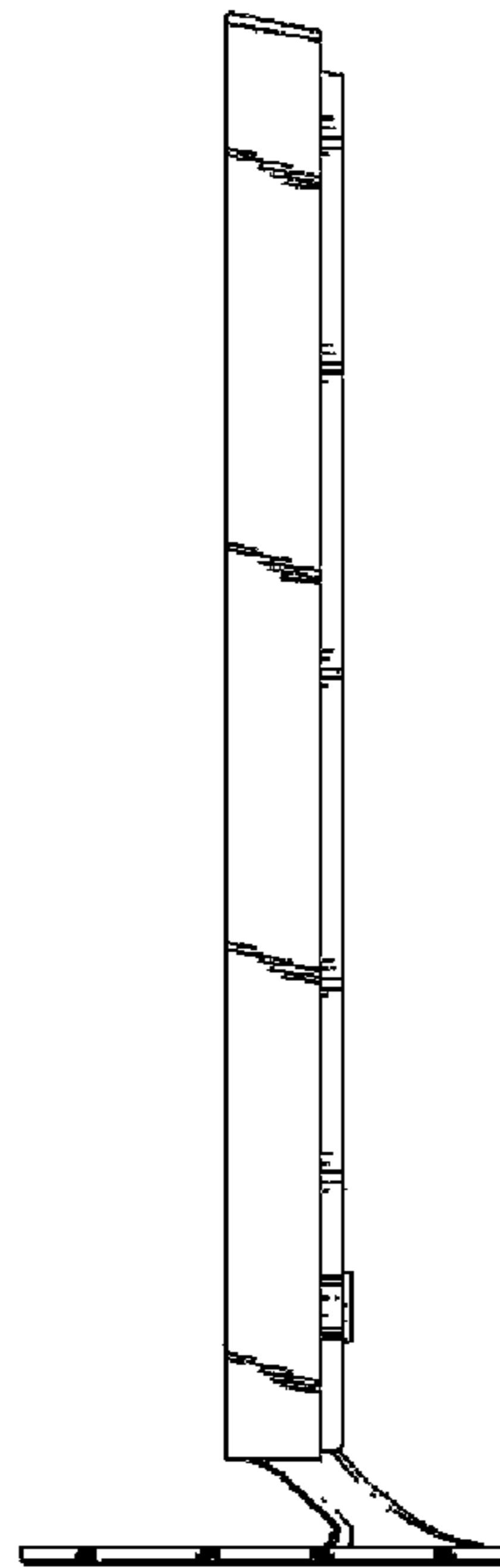
**FIG.3**



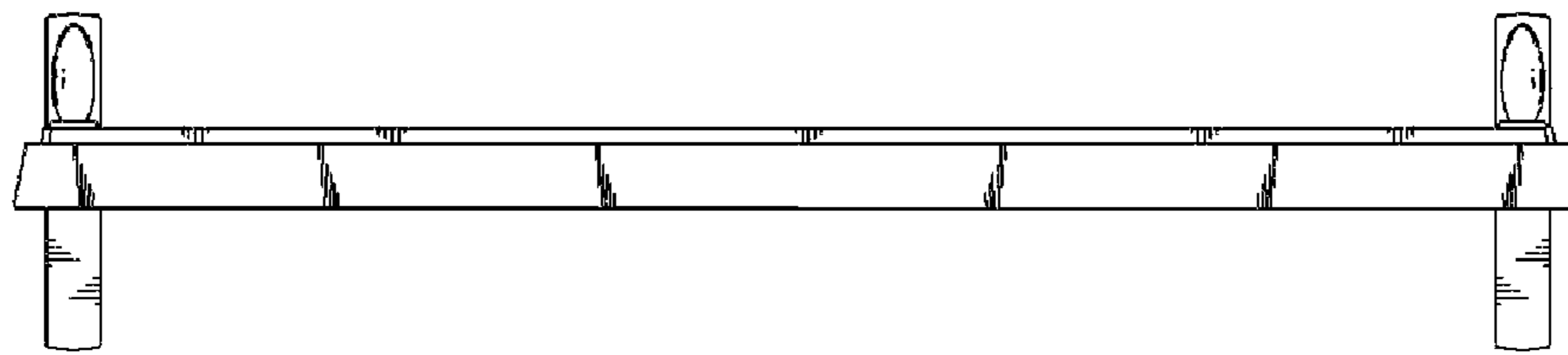
**FIG.4**



**FIG.5**



**FIG.6**



**FIG.7**

