



US00D634717S

(12) **United States Design Patent**
Lin

(10) **Patent No.:** **US D634,717 S**
(45) **Date of Patent:** **** Mar. 22, 2011**

(54) **LIGHT EMITTING DIODE**

(75) Inventor: **Jung-Chiu Lin**, Tucheng (TW)

(73) Assignee: **Everlight Electronics Co., Ltd.**,
Tucheng, Taipei County (TW)

(**) Term: **14 Years**

(21) Appl. No.: **29/363,331**

(22) Filed: **Jun. 8, 2010**

(30) **Foreign Application Priority Data**

Dec. 11, 2009 (TW) 98305964

(51) **LOC (9) Cl.** **13-03**

(52) **U.S. Cl.** **D13/180**

(58) **Field of Classification Search** D13/180;
D26/2; 257/79, 80, 81, 88, 89, 95, 98, 99,
257/100, E33.058; 313/483, 498, 500; 362/555,
362/800

See application file for complete search history.

(56) **References Cited**

U.S. PATENT DOCUMENTS

D489,692 S	5/2004	Ishida
D490,062 S	5/2004	Ishida
D490,386 S	5/2004	Ishida
D493,429 S	7/2004	Ishida
D500,294 S	12/2004	Ishida
D504,873 S	5/2005	Ishida
D508,468 S	8/2005	Ishida
D509,487 S	9/2005	Ishida
6,953,952 B2	10/2005	Asakawa
D512,693 S	12/2005	Kim et al.
D528,998 S	9/2006	Song et al.
D529,452 S	10/2006	Kim et al.
D533,517 S	12/2006	Kim et al.
D546,783 S	7/2007	Yoon et al.
D558,156 S	12/2007	Yoon et al.

D599,305 S	9/2009	Kim et al.
D608,739 S	1/2010	Hussell
D624,883 S	10/2010	Lin

FOREIGN PATENT DOCUMENTS

KR	30-0353996	6/2004
KR	30-0356299	6/2004
KR	30-0431306	11/2006
KR	30-0464476	9/2007
KR	30-0464944	10/2007
KR	30-0505417	9/2008
TW	D104954	6/2005
TW	D105425	7/2005

OTHER PUBLICATIONS

Taiwan Notice of Allowance mailed Sep. 15, 2010.

Primary Examiner — Selina Sikder

(74) *Attorney, Agent, or Firm* — Thomas, Kayden,
Horstemeyer & Risley, LLP

(57) **CLAIM**

The ornamental design for a lighting emitting diode, as shown and described.

DESCRIPTION

FIG. 1 is a perspective view of a light emitting diode showing the claimed design;

FIG. 2 is another perspective view thereof;

FIG. 3 is a front elevational view thereof;

FIG. 4 is a rear elevational view thereof;

FIG. 5 is a left side elevational view thereof;

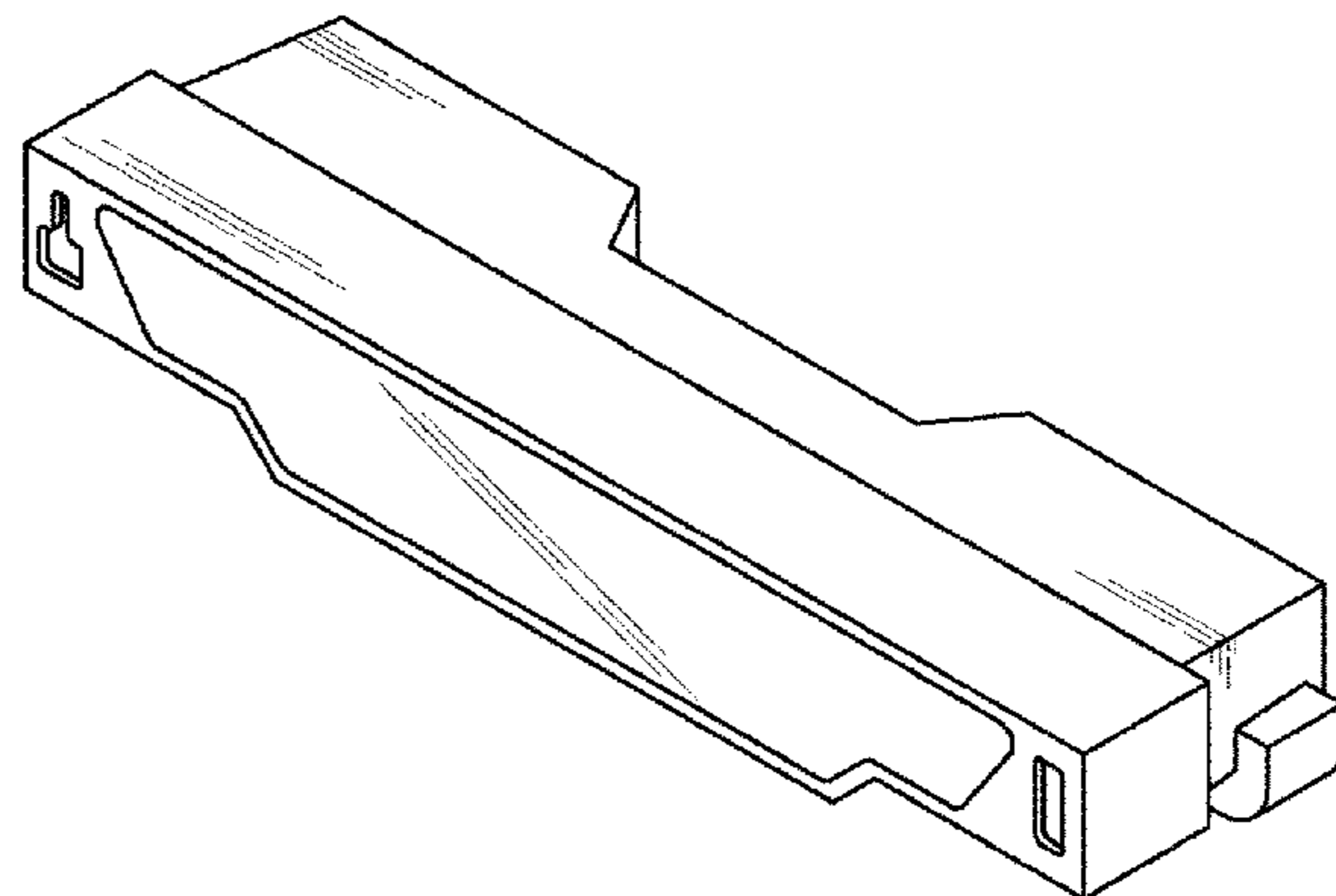
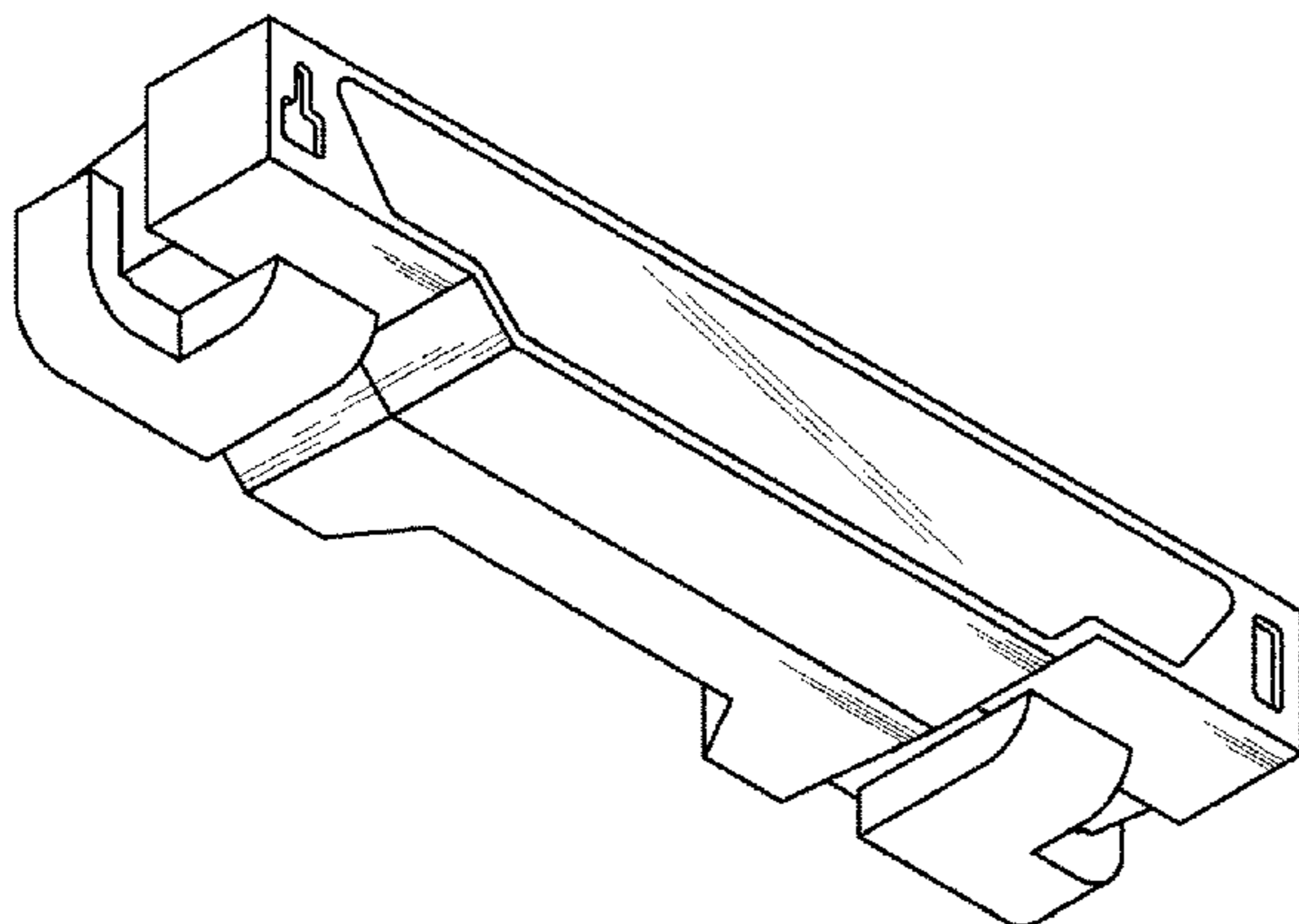
FIG. 6 is a right side elevational view thereof;

FIG. 7 is a top plan view thereof; and,

FIG. 8 is a bottom plan view thereof.

The window portion of the design is a light transmissible material. The broken lines are directed to environment and are for illustrative purpose only; the broken lines form no part of the claimed design.

1 Claim, 5 Drawing Sheets



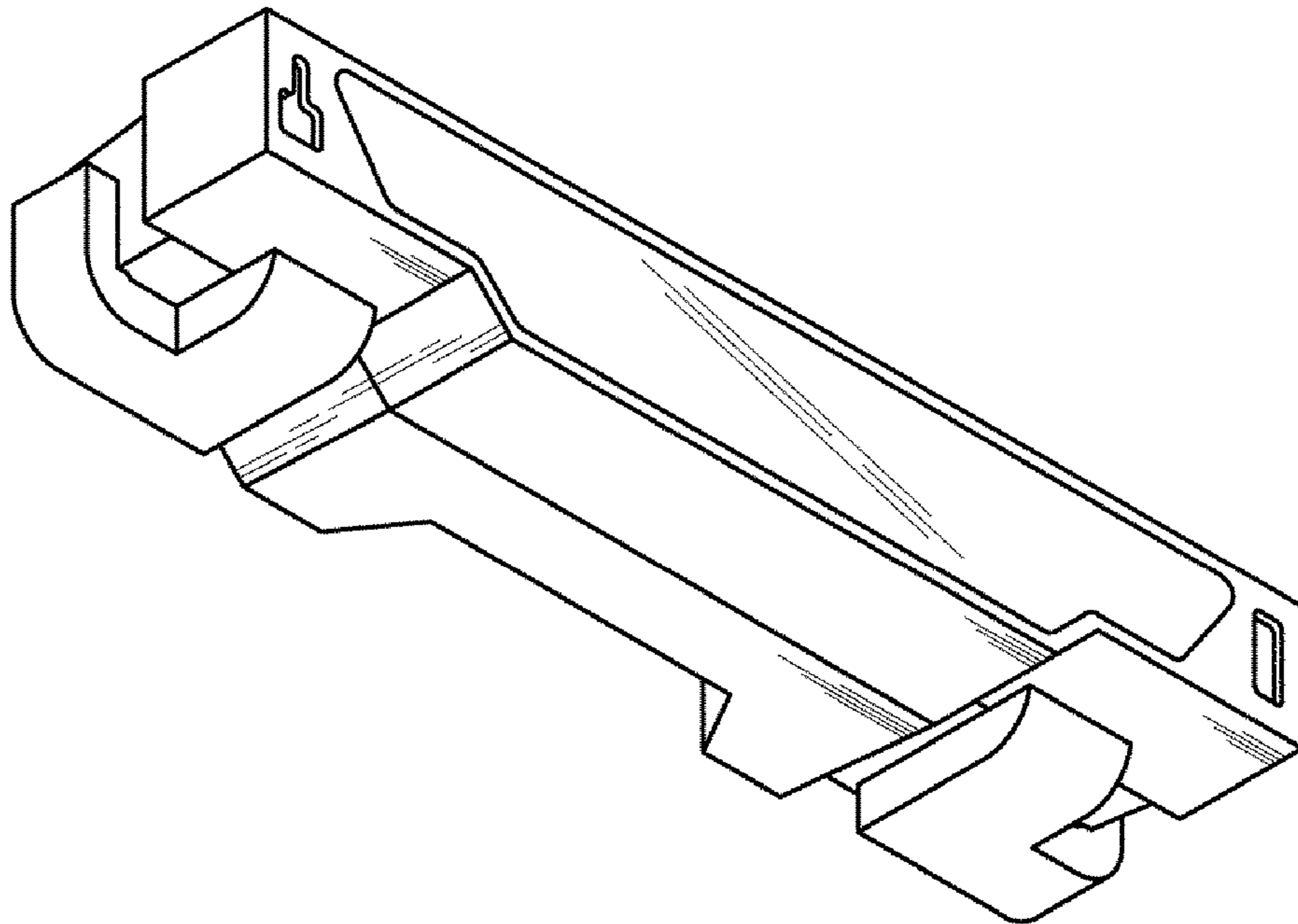


FIG. 1

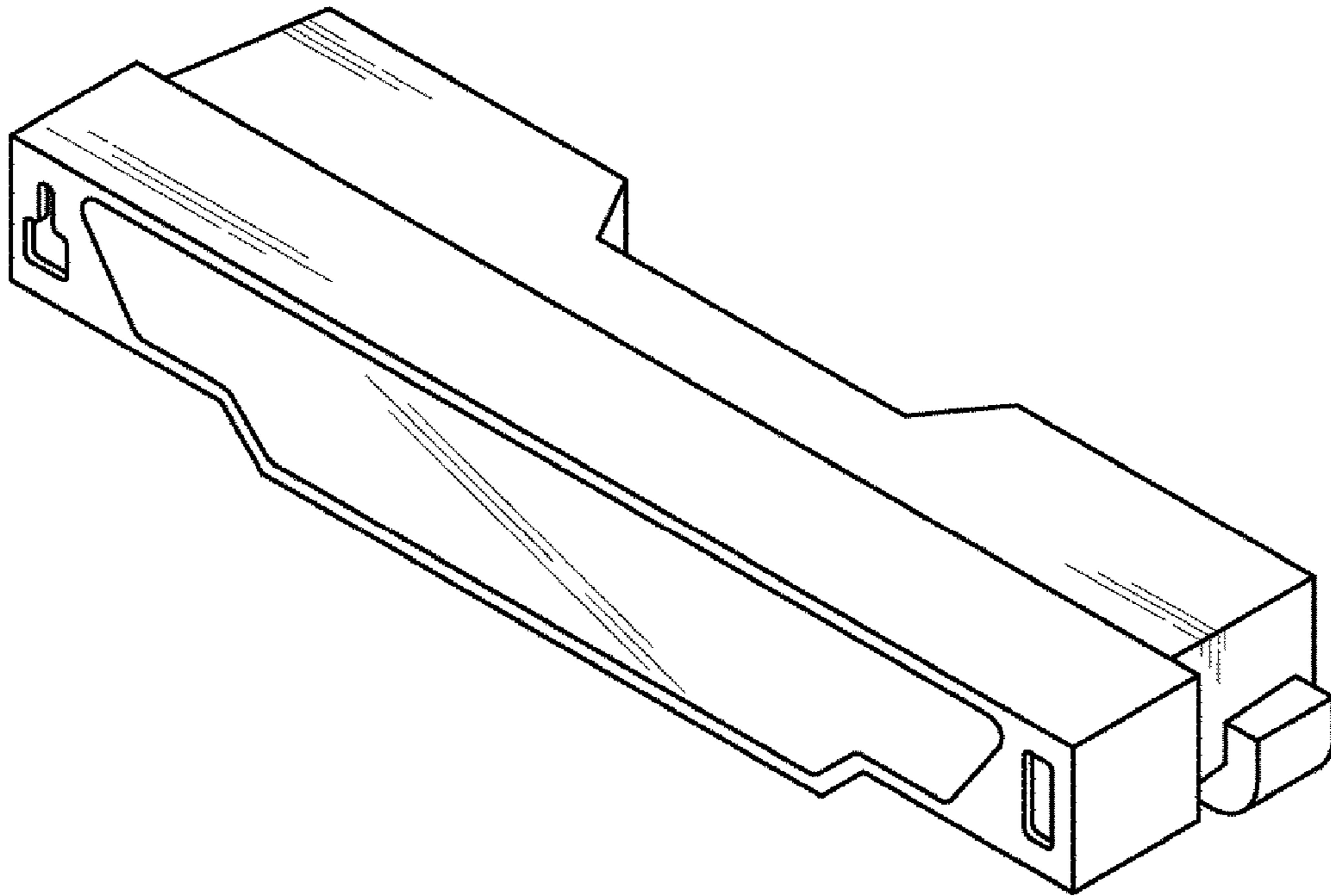


FIG.2

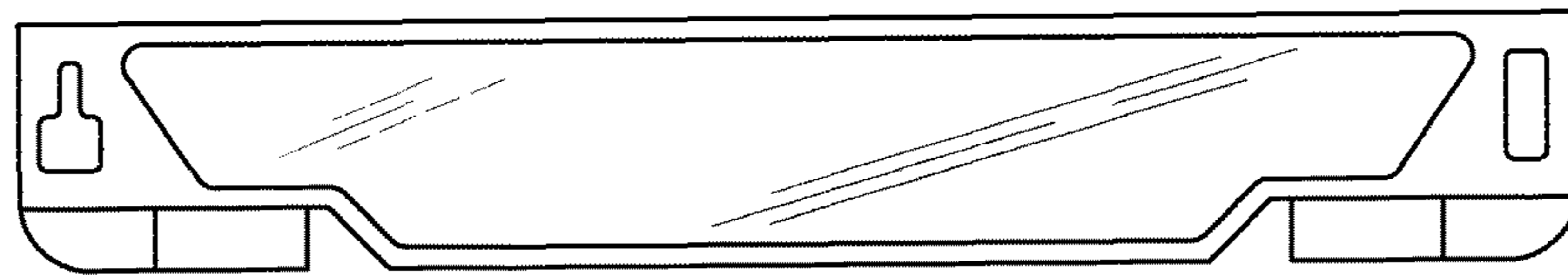


FIG.3

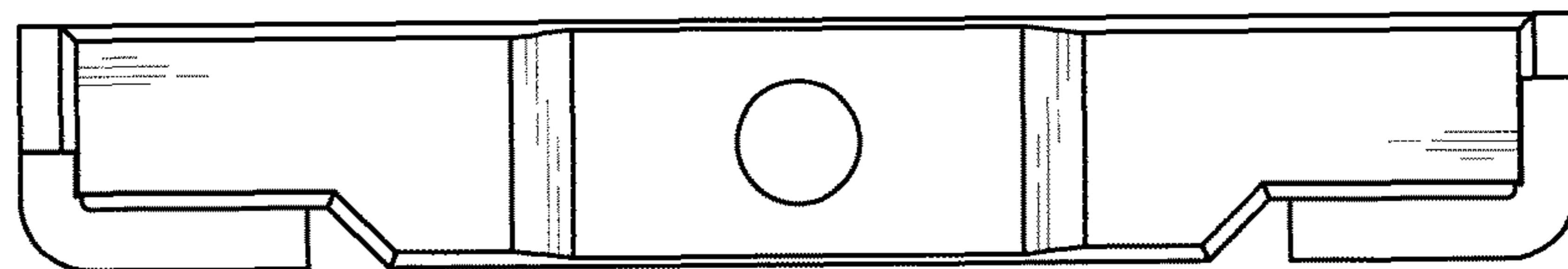


FIG.4

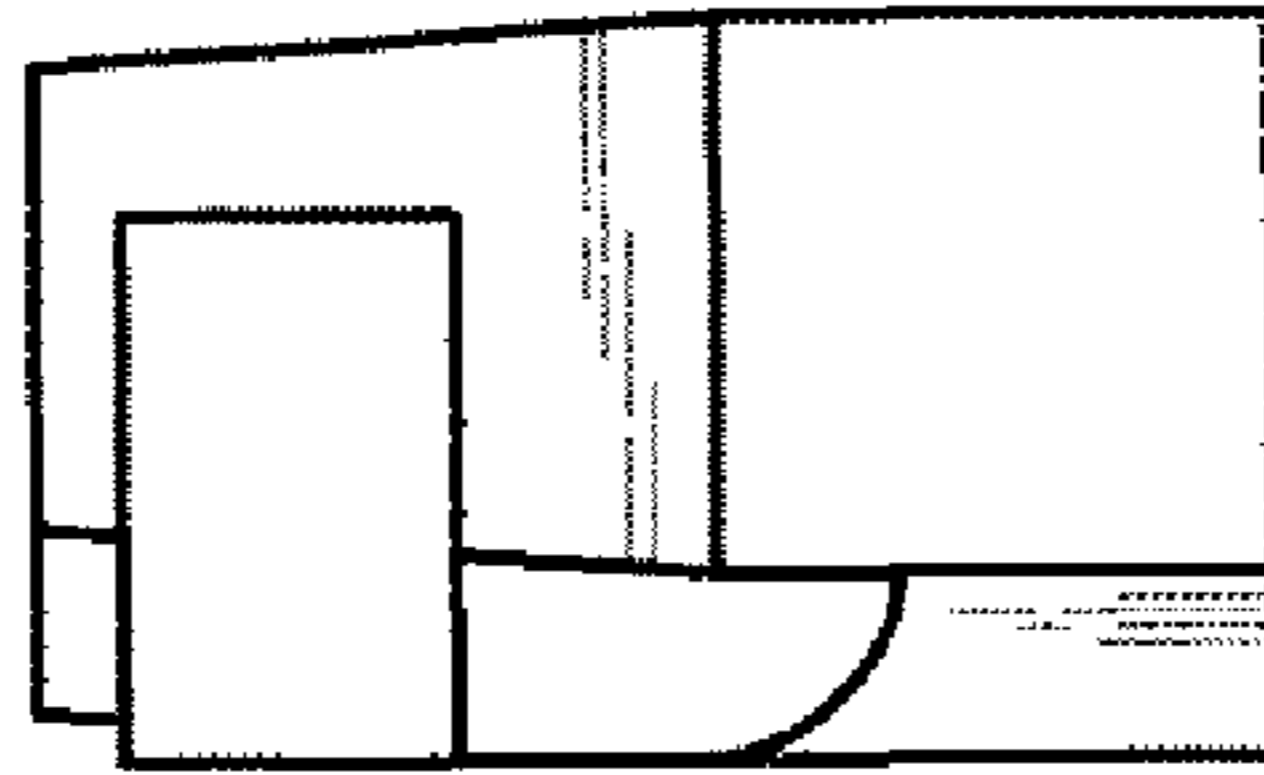


FIG. 5

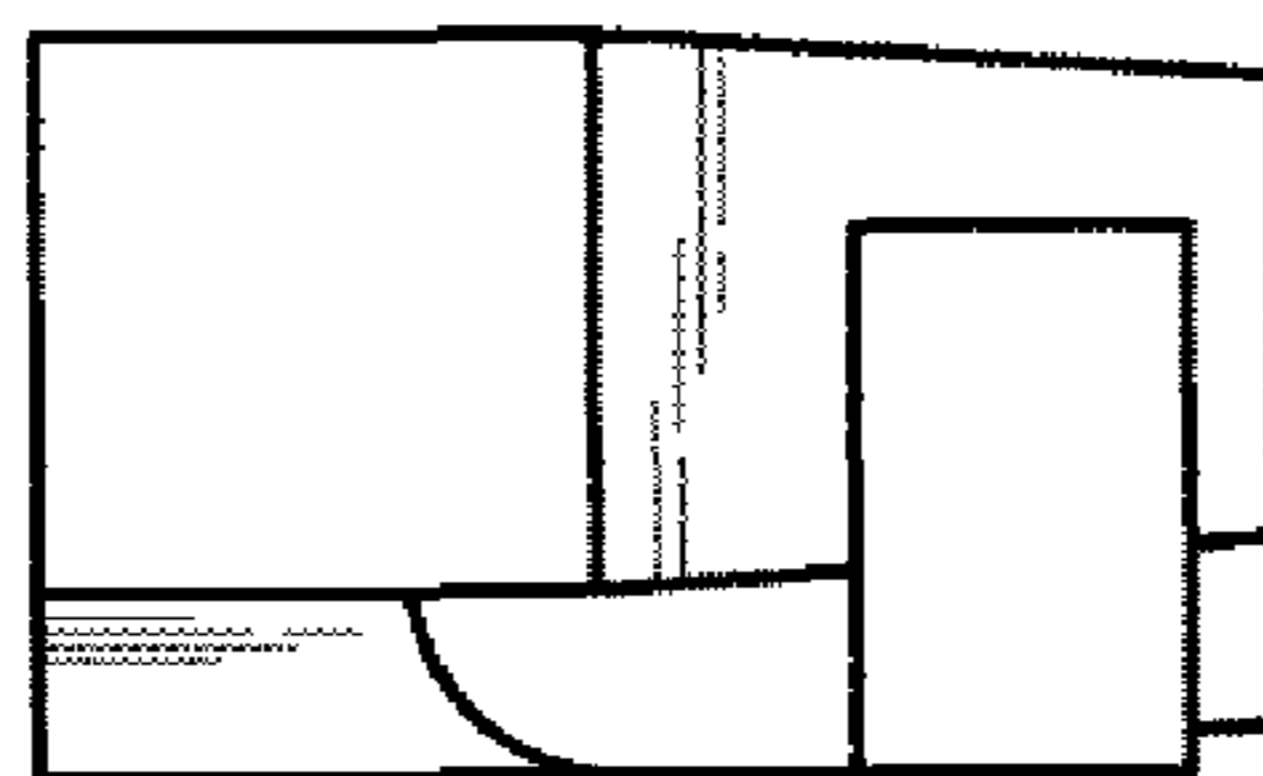


FIG. 6

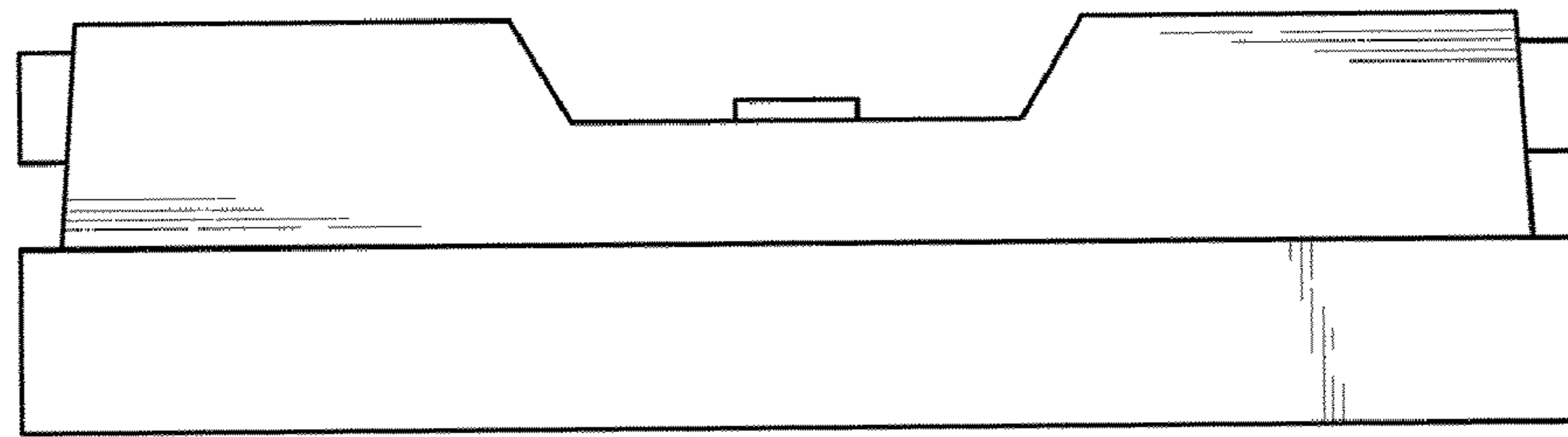


FIG. 7

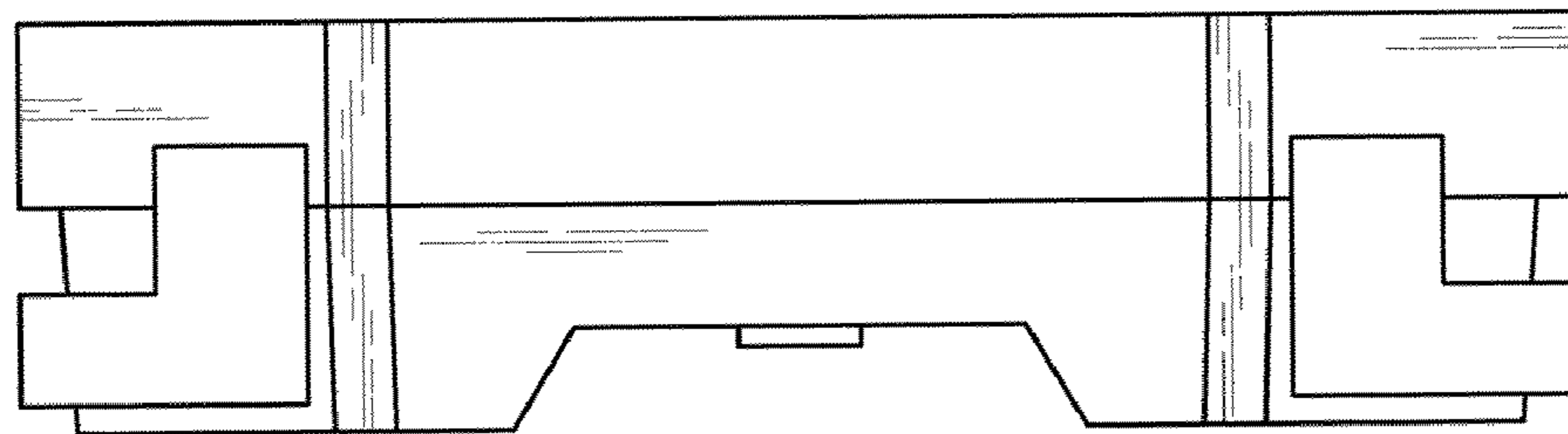


FIG. 8