



US00D634712S

(12) **United States Design Patent**
Shen et al.

(10) **Patent No.:** **US D634,712 S**
(45) **Date of Patent:** **** Mar. 22, 2011**

(54) **CONDUIT FITTING RING**

(75) Inventors: **Xing-Guo Shen**, Shanghai (CN); **Lorne Smyth**, Orangeville (CA); **John Kehren**, Newmarket (CA)

(73) Assignee: **Royal Group Inc.**, Woodbridge (CA)

(**) Term: **14 Years**

(21) Appl. No.: **29/338,058**

(22) Filed: **Jun. 3, 2009**

(51) **LOC (9) Cl.** **13-03**

(52) **U.S. Cl.** **D13/155**

(58) **Field of Classification Search** D13/155,
D13/156, 184; D8/354–356, 360.1; D14/256,
D14/299; 439/207–211, 445–447
See application file for complete search history.

7,387,288 B2 6/2008 Hull et al.
D595,650 S * 7/2009 Di Stefano D13/133
D615,049 S * 5/2010 Miyasaka et al. D13/173
D618,985 S * 7/2010 Sjoqvist D8/356

OTHER PUBLICATIONS

Royal Pipe Systems; Royal Flex ENT & Fittings; Catalog, May 2004, 12 pages, Canada.

U.S. Appl. No. 29/338,056, filed Jun. 3, 2009; Title: Conduit Fitting Ring.

U.S. Appl. No. 12/424,844, filed Apr. 16, 2009; Title: Fitting for Corrugated Conduit.

* cited by examiner

Primary Examiner — Daniel D Bui

(74) *Attorney, Agent, or Firm* — Osler, Hoskin & Harcourt LLP

(57) **CLAIM**

The ornamental design for a conduit fitting ring, as shown and described.

(56) **References Cited**

U.S. PATENT DOCUMENTS

D217,540 S *	5/1970	Weise	D8/397
4,368,904 A	1/1983	Lanz		
4,647,074 A	3/1987	Pate et al.		
4,711,974 A	12/1987	Borsh		
4,723,796 A	2/1988	Nattel		
4,836,580 A	6/1989	Farrell		
4,864,080 A	9/1989	Fochler et al.		
4,989,905 A	2/1991	Rajecki		
D320,384 S *	10/1991	Jacobs	D13/155
5,362,112 A	11/1994	Hamilton et al.		
5,730,474 A	3/1998	Bank		
D418,210 S	12/1999	Roesch		
D458,592 S *	6/2002	Gust et al.	D13/155
6,739,630 B2	5/2004	Riedy		
6,899,354 B2	5/2005	Lanteigne et al.		
6,918,618 B2	7/2005	Allouche		
7,186,915 B2	3/2007	Hull et al.		
D544,448 S	6/2007	Hull et al.		

DESCRIPTION

FIG. 1 is a top plan view of a conduit fitting ring, showing our new design;

FIG. 2 is a top and side perspective view

FIG. 3 is a bottom and side perspective view thereof;

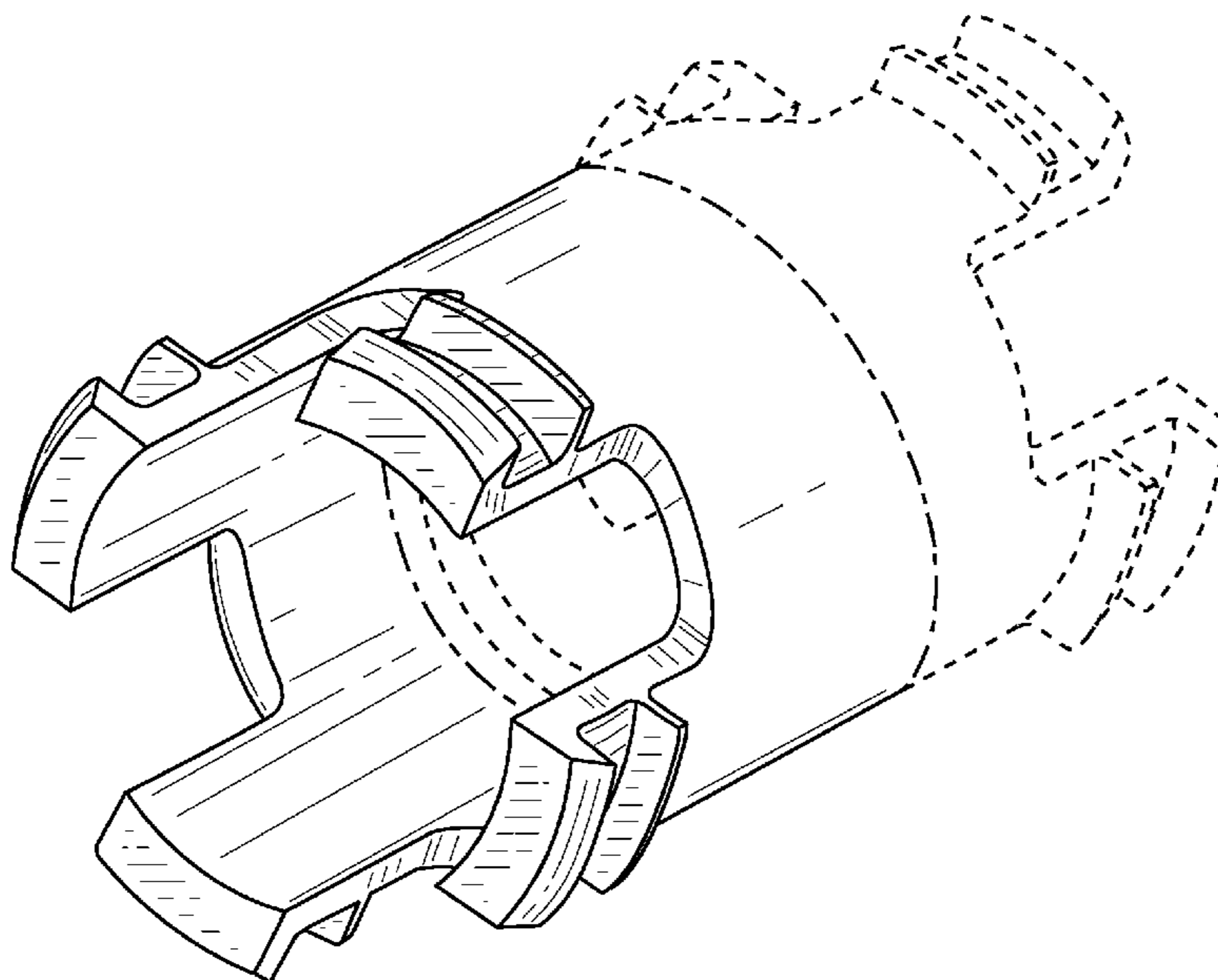
FIG. 4 is a side elevation view thereof, as seen from line 4—4 in FIG. 1;

FIG. 5 is another side elevation view thereof, as seen from line 5—5 in FIG. 1;

FIG. 6 is a top perspective view thereof, in use condition; and, FIG. 7 is another perspective view thereof, in use condition.

The dash-dot broken line represents the boundary between claimed and unclaimed areas. The even broken line shown in the figure drawing views is included for the purpose of illustrating environment and forms no part of the claimed design.

1 Claim, 7 Drawing Sheets



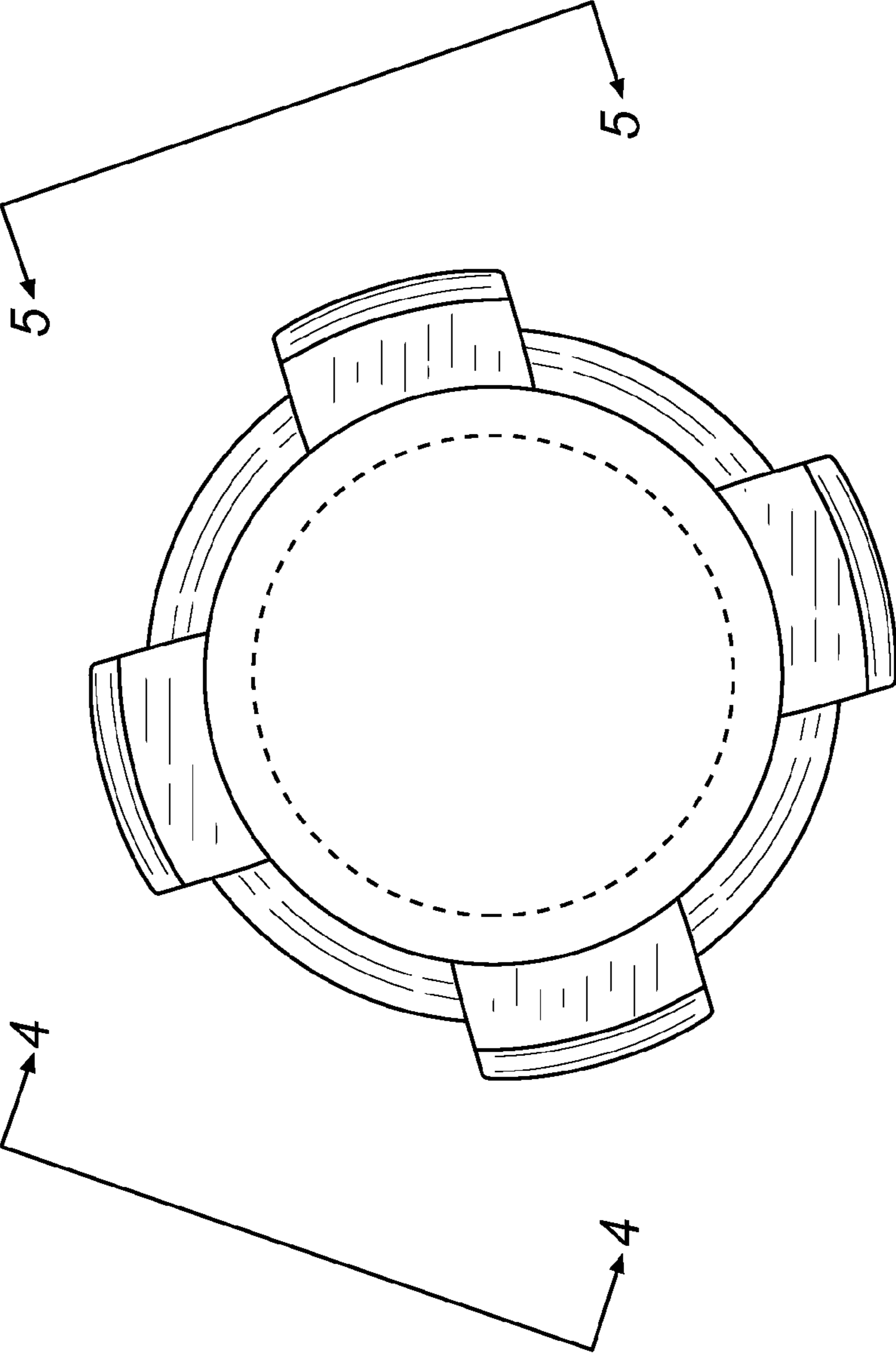


FIG. 1

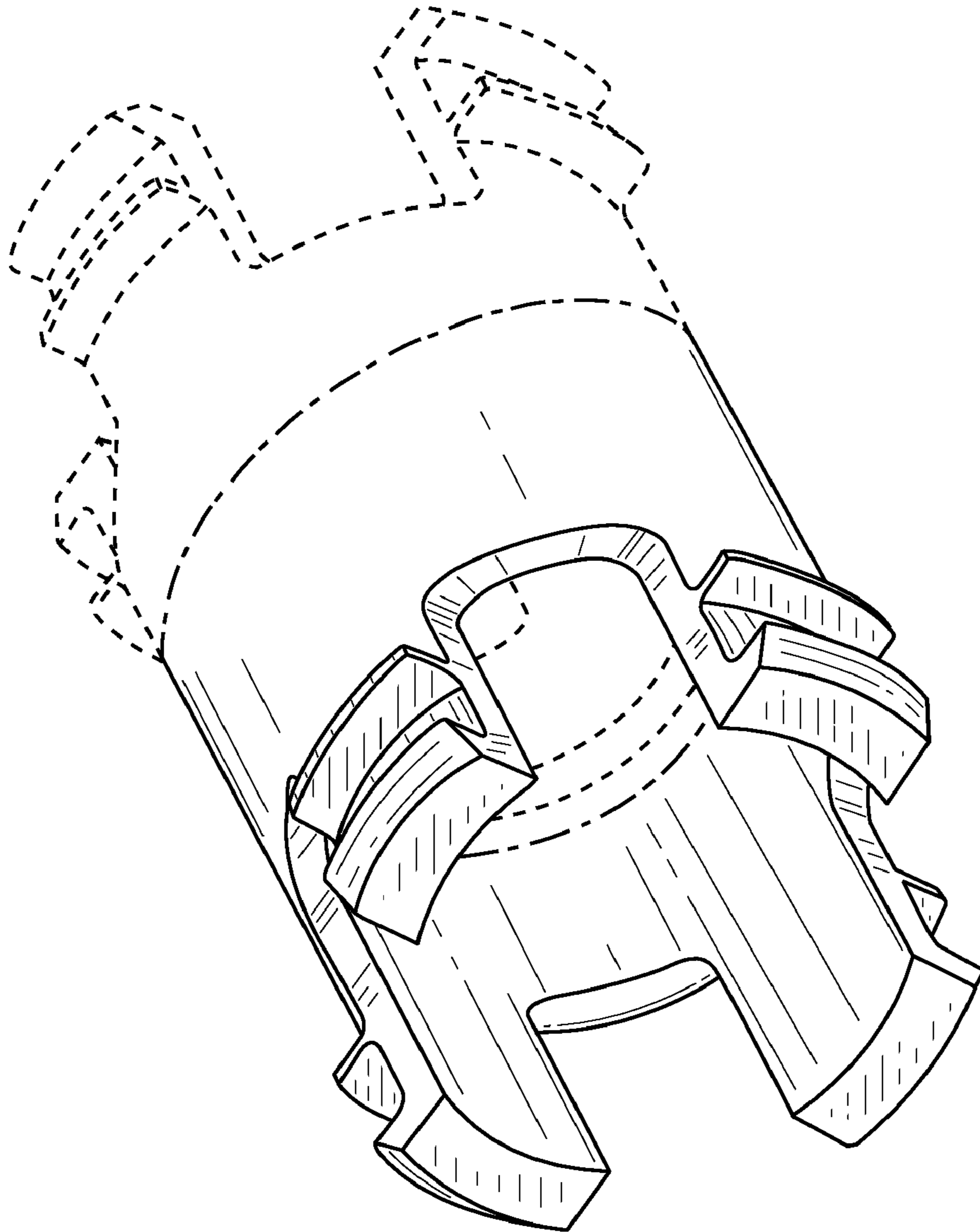


FIG. 2

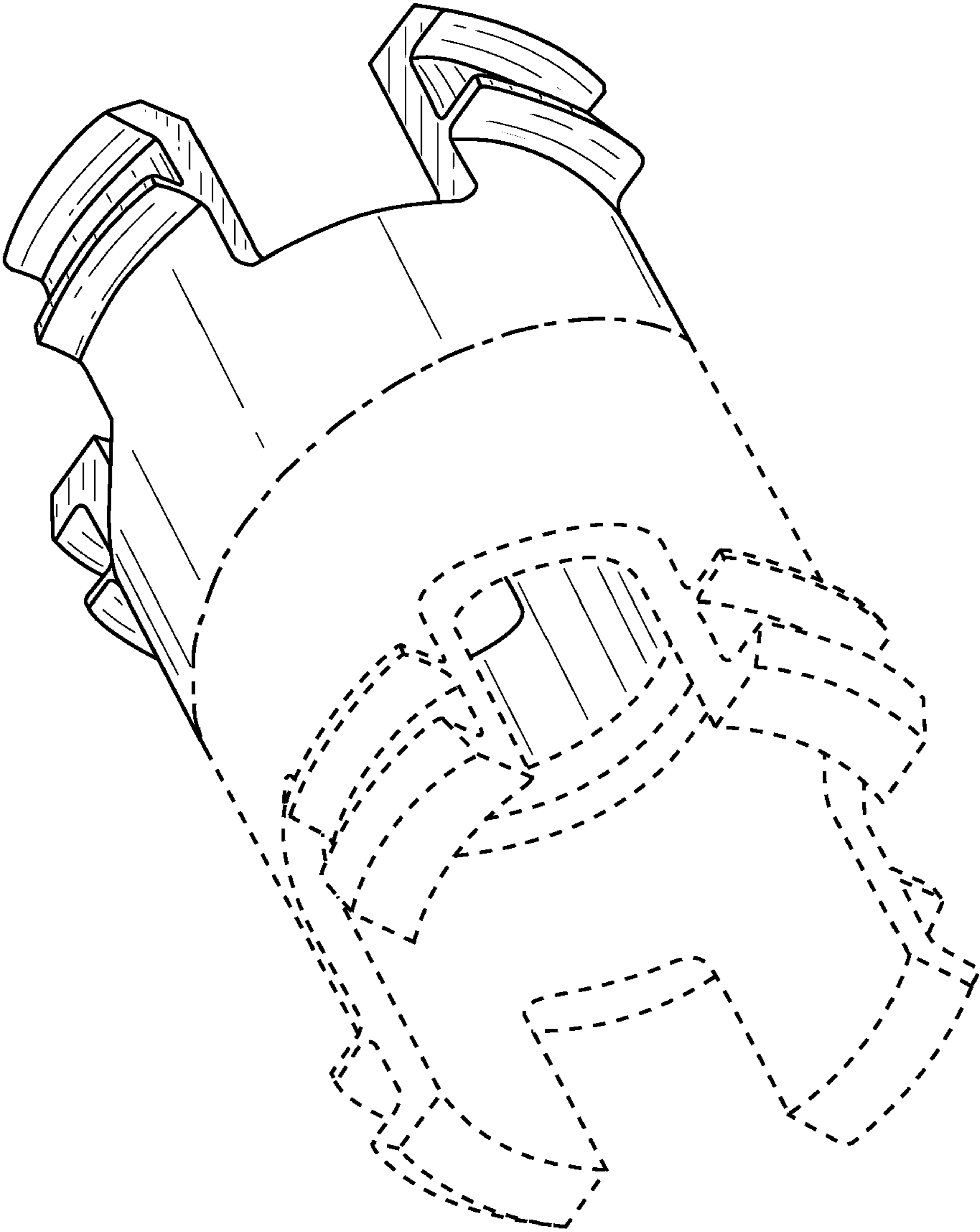


FIG. 3

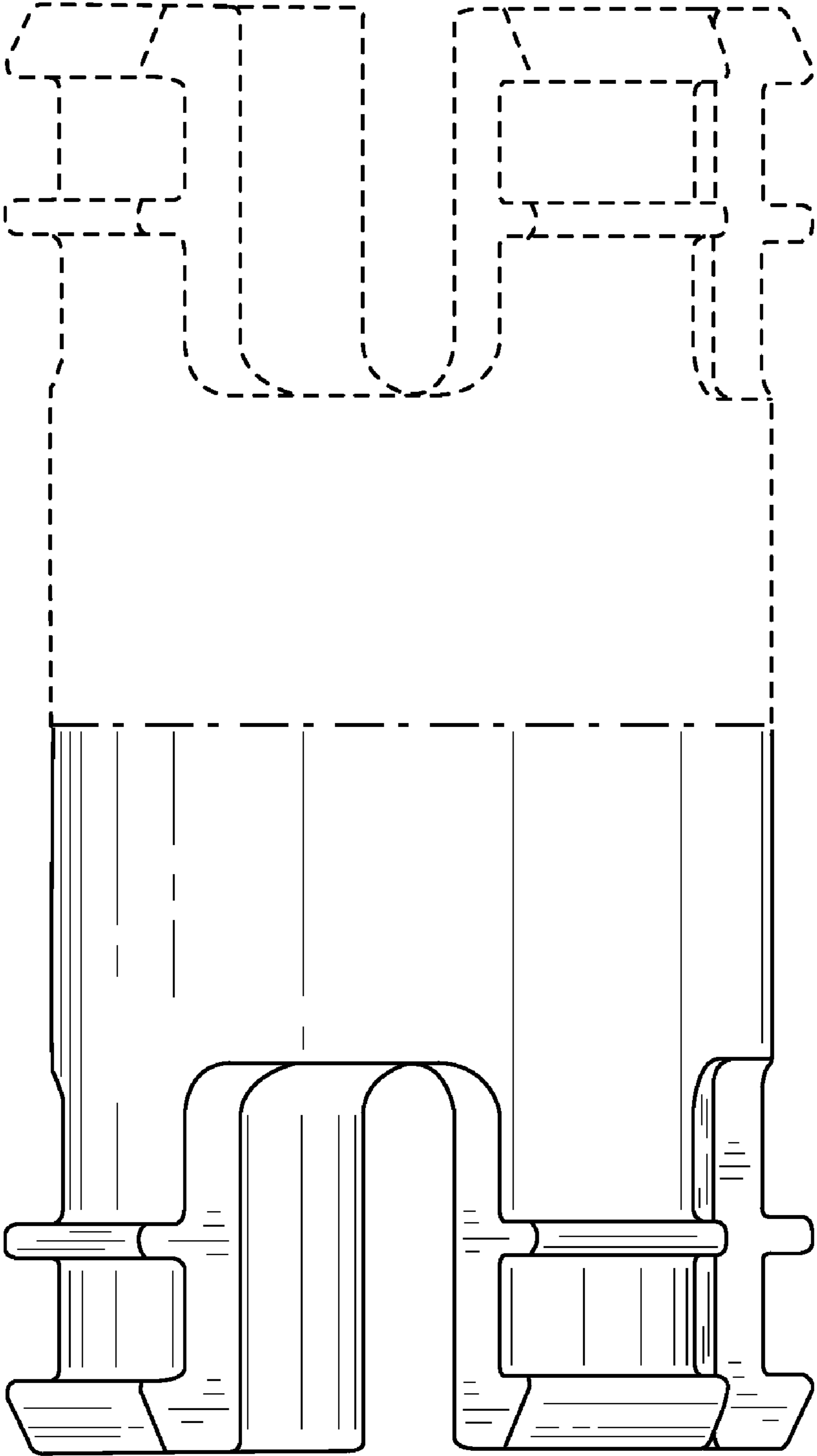


FIG. 4

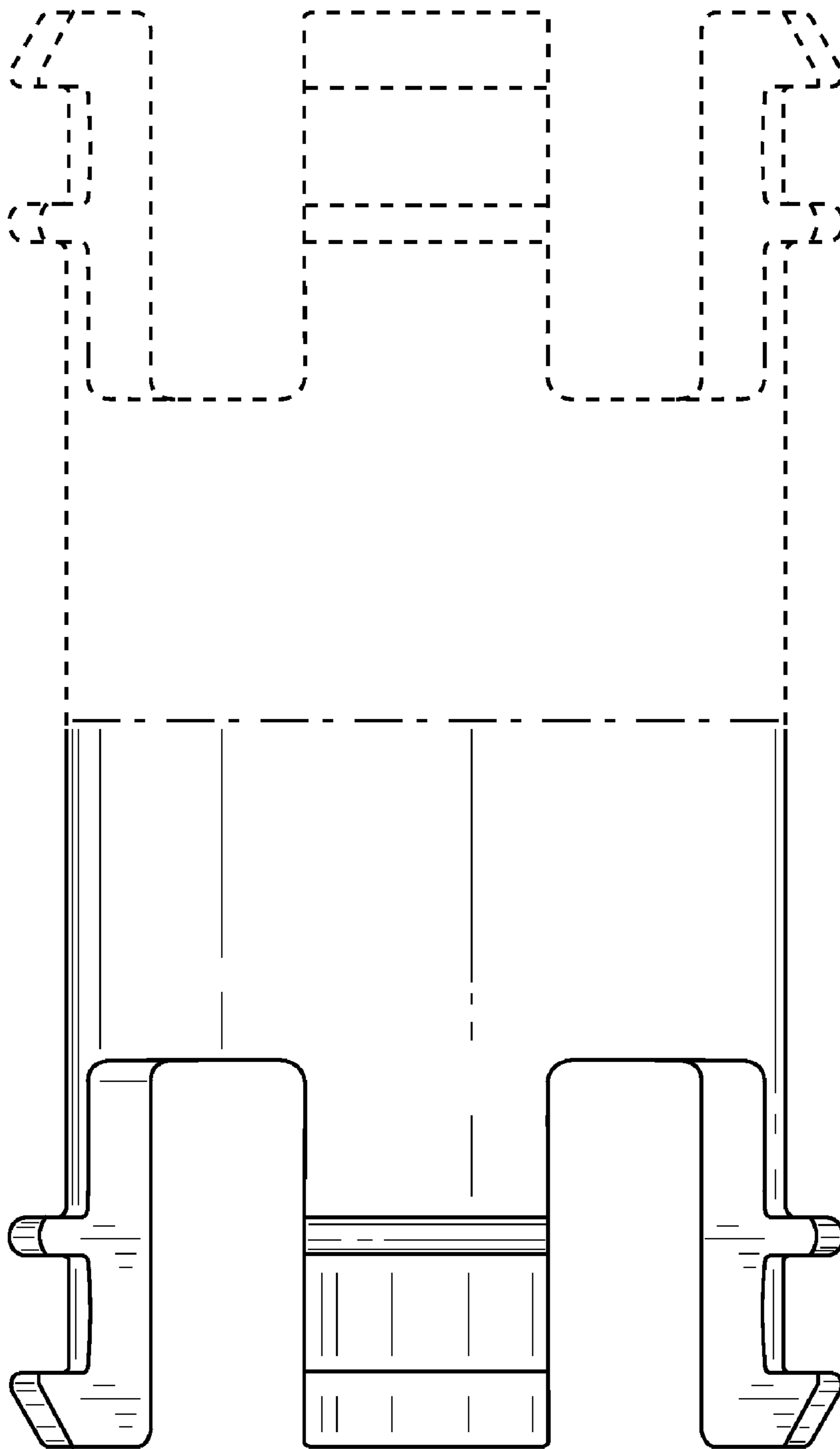


FIG. 5

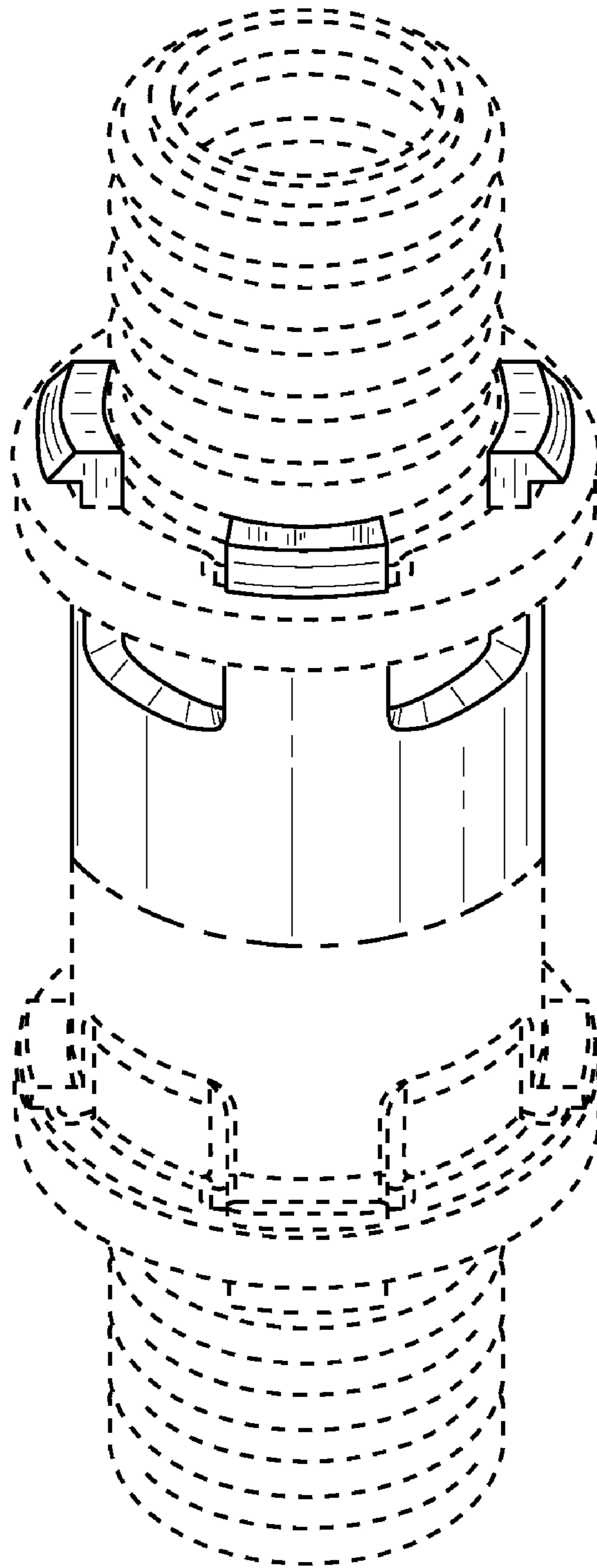


FIG. 6

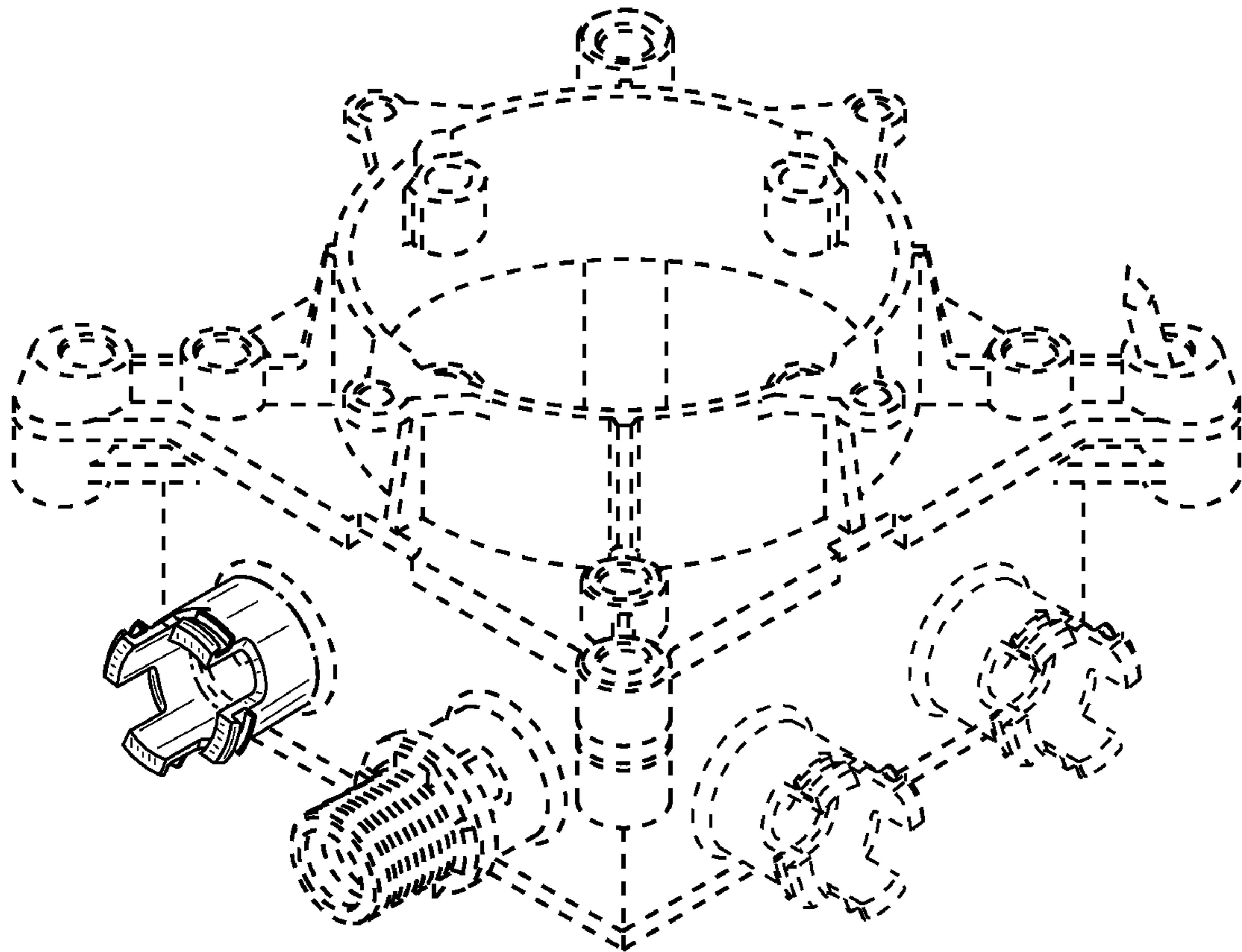


FIG. 7