



US00D634711S

(12) **United States Design Patent**  
**Kondo**

(10) **Patent No.:** **US D634,711 S**

(45) **Date of Patent:** **\*\* Mar. 22, 2011**

(54) **ELECTRICAL CONNECTOR**

(75) Inventor: **Hayato Kondo**, Yao (JP)

(73) Assignee: **Hosiden Corporation**, Yao-shi (JP)

(\*\*) Term: **14 Years**

(21) Appl. No.: **29/375,142**

(22) Filed: **Sep. 17, 2010**

**Related U.S. Application Data**

(62) Division of application No. 29/340,912, filed on Jul. 28, 2009, now Pat. No. Des. 626,510.

(30) **Foreign Application Priority Data**

Jan. 28, 2009 (JP) ..... 2009-001583

Feb. 16, 2009 (JP) ..... 2009-002990

Feb. 18, 2009 (JP) ..... 2009-003173

(51) **LOC (9) Cl.** ..... **13-03**

(52) **U.S. Cl.** ..... **D13/147**

(58) **Field of Classification Search** ..... D13/147,  
D13/154, 184; 439/108, 476.1, 483, 527,  
439/533, 607.01, 607.04, 607.05, 607.17,  
439/607.25, 607.34, 607.41, 607.53, 892,  
439/894

See application file for complete search history.

(56) **References Cited**

**U.S. PATENT DOCUMENTS**

D344,492 S 2/1994 Nakamura

D345,343 S 3/1994 Nakamura

D433,667 S 11/2000 Li et al.

D590,776 S 4/2009 Kondo

D602,873 S 10/2009 Sasaki et al.

2009/0029575 A1 1/2009 Xiong et al.

*Primary Examiner* — Daniel D Bui

(74) *Attorney, Agent, or Firm* — Rankin, Hill & Clark LLP

(57) **CLAIM**

The ornamental design for an electrical connector, as shown and described.

**DESCRIPTION**

FIG. 1 is a front, right side and top perspective view of an electrical connector in accordance with a first embodiment of my new design;

FIG. 2 is a rear, left side and bottom perspective view thereof;

FIG. 3 is a front elevation view thereof;

FIG. 4 is a rear view thereof;

FIG. 5 is a left side view thereof;

FIG. 6 is a right side view thereof;

FIG. 7 is a top plan view thereof;

FIG. 8 is a bottom plan view thereof;

FIG. 9 is a front, right side and top perspective view of an electrical connector in accordance with a second embodiment of my new design;

FIG. 10 is a rear, left side and bottom perspective view thereof;

FIG. 11 is a front elevation view thereof;

FIG. 12 is a rear view thereof;

FIG. 13 is a left side view thereof;

FIG. 14 is a right side view of the electrical connector in accordance with the third embodiment of my new design;

FIG. 15 is a top plan view of the electrical connector in accordance with the third embodiment of my new design; and,

FIG. 16 is a bottom plan view of the electrical connector in accordance with the third embodiment of my new design.

The broken line portion of the figure drawings is included to show unclaimed subject matter only and forms no part of the claimed design.

**1 Claim, 8 Drawing Sheets**

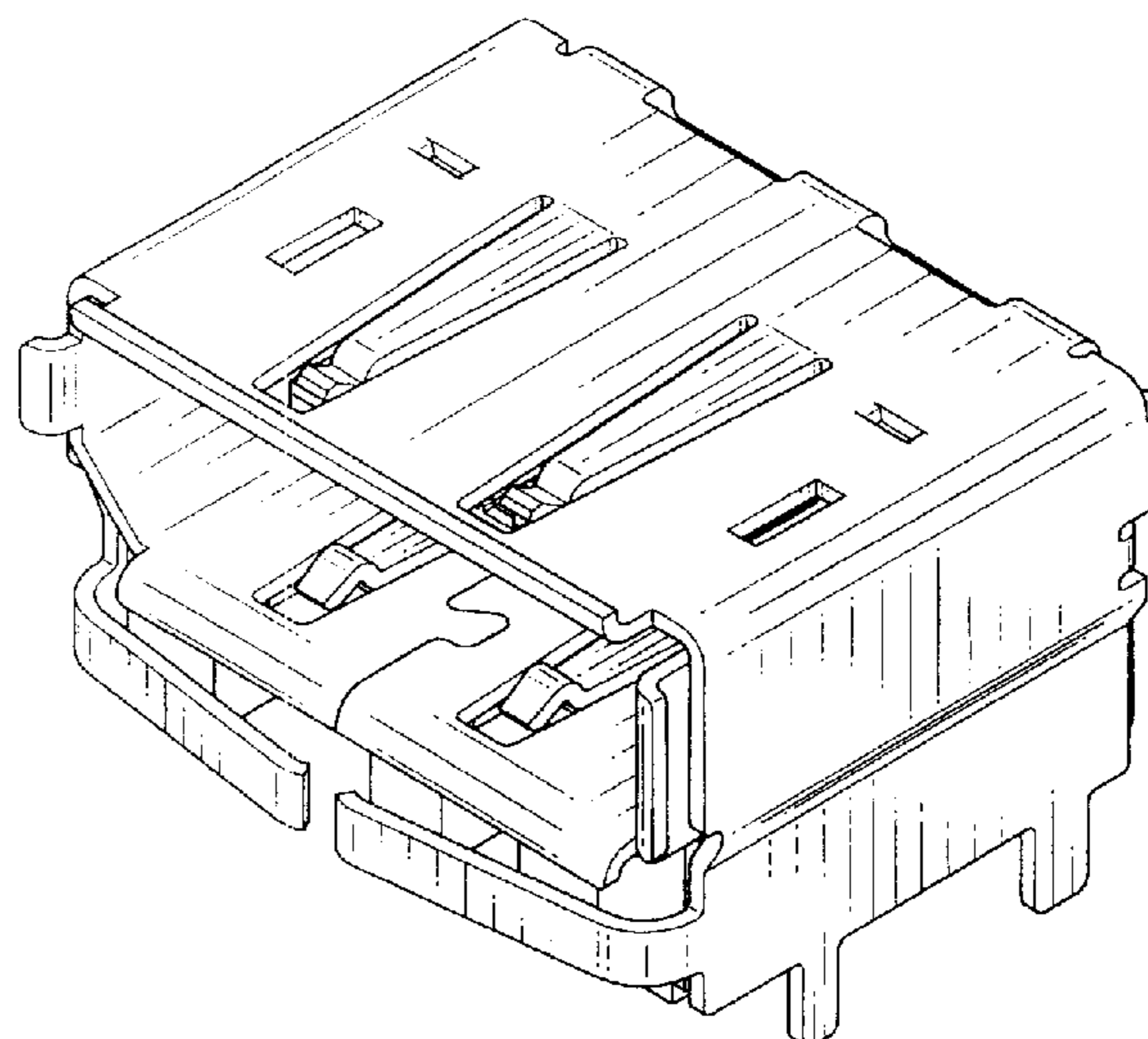
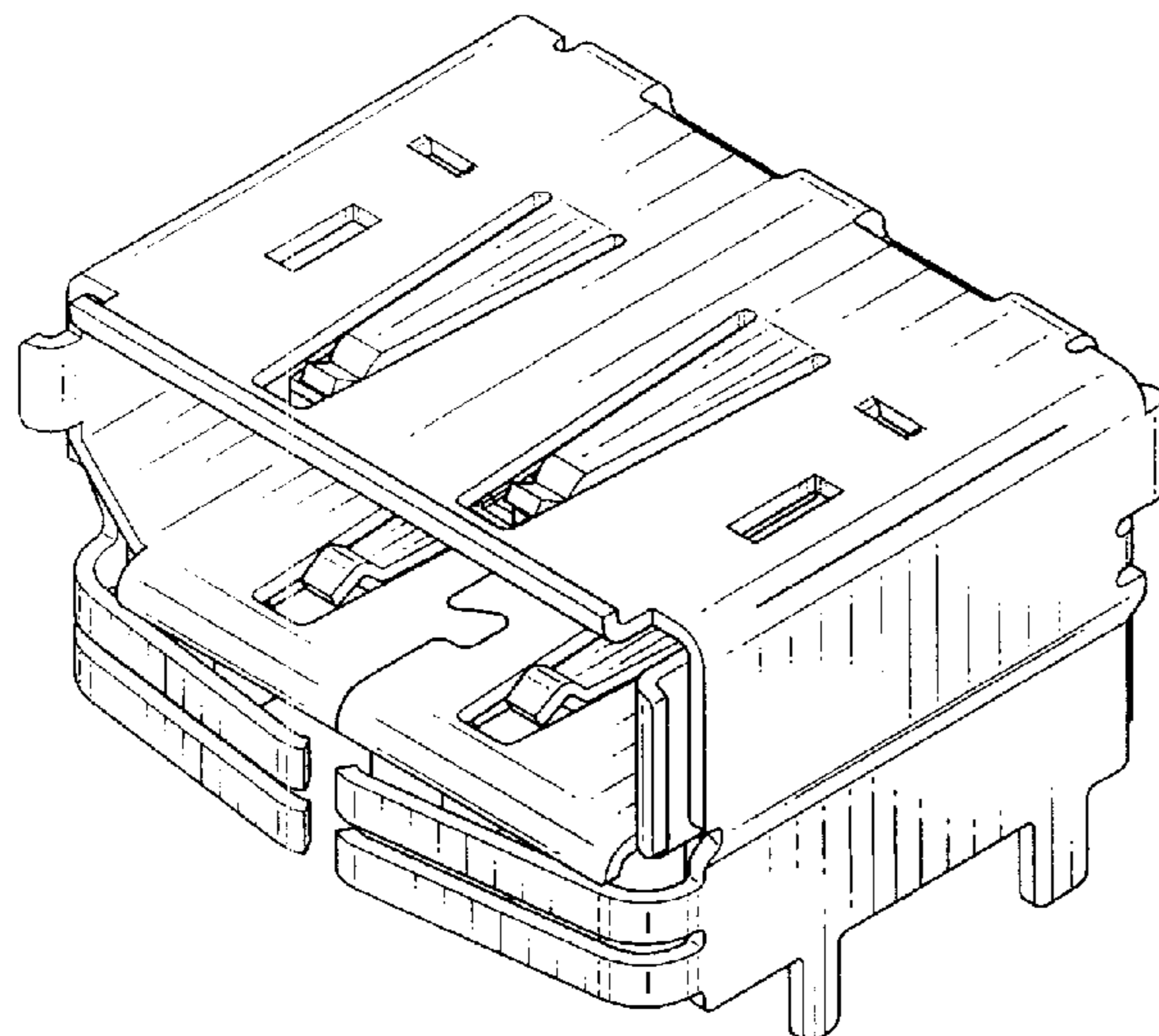


FIG. 1

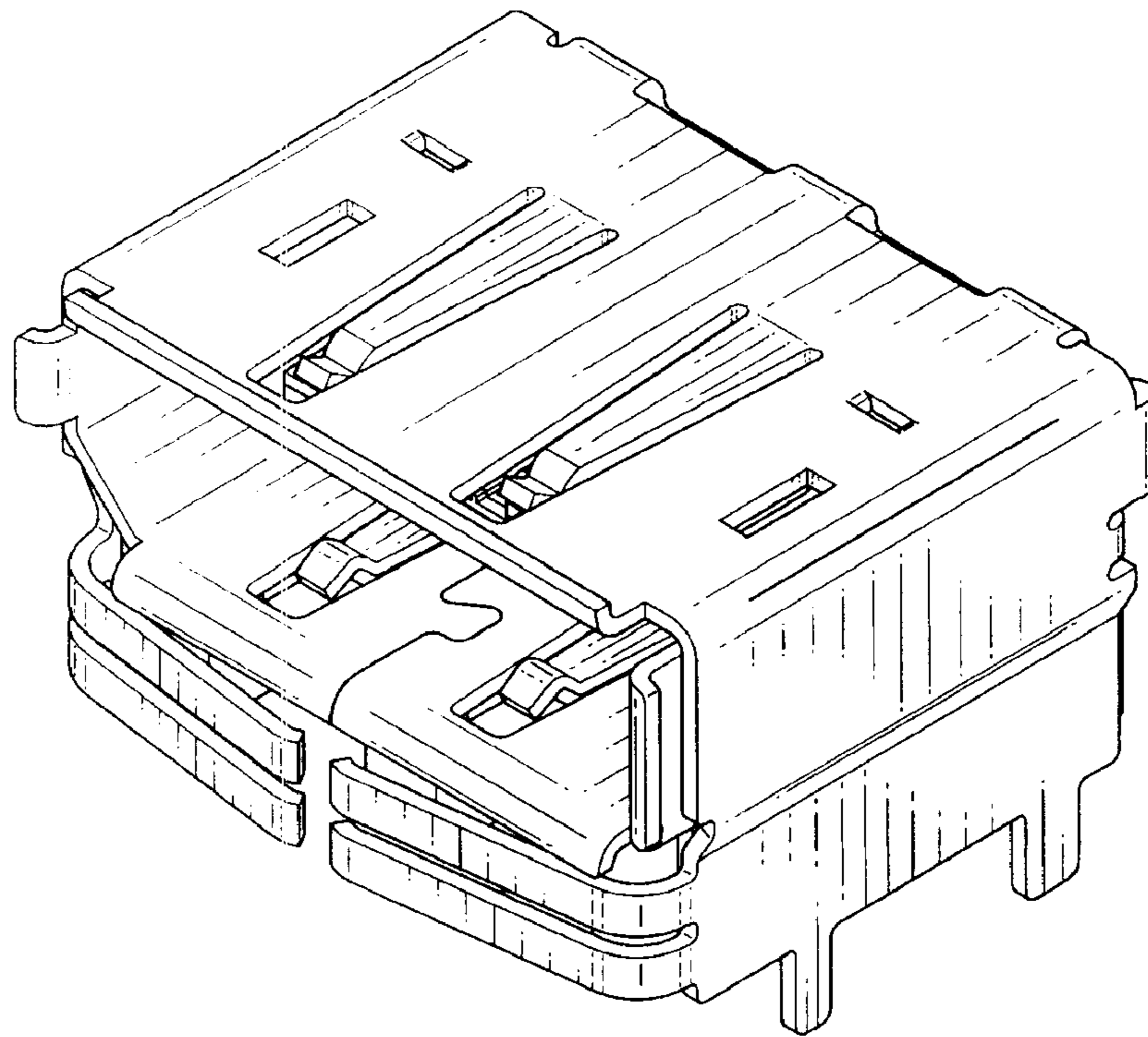


FIG. 2

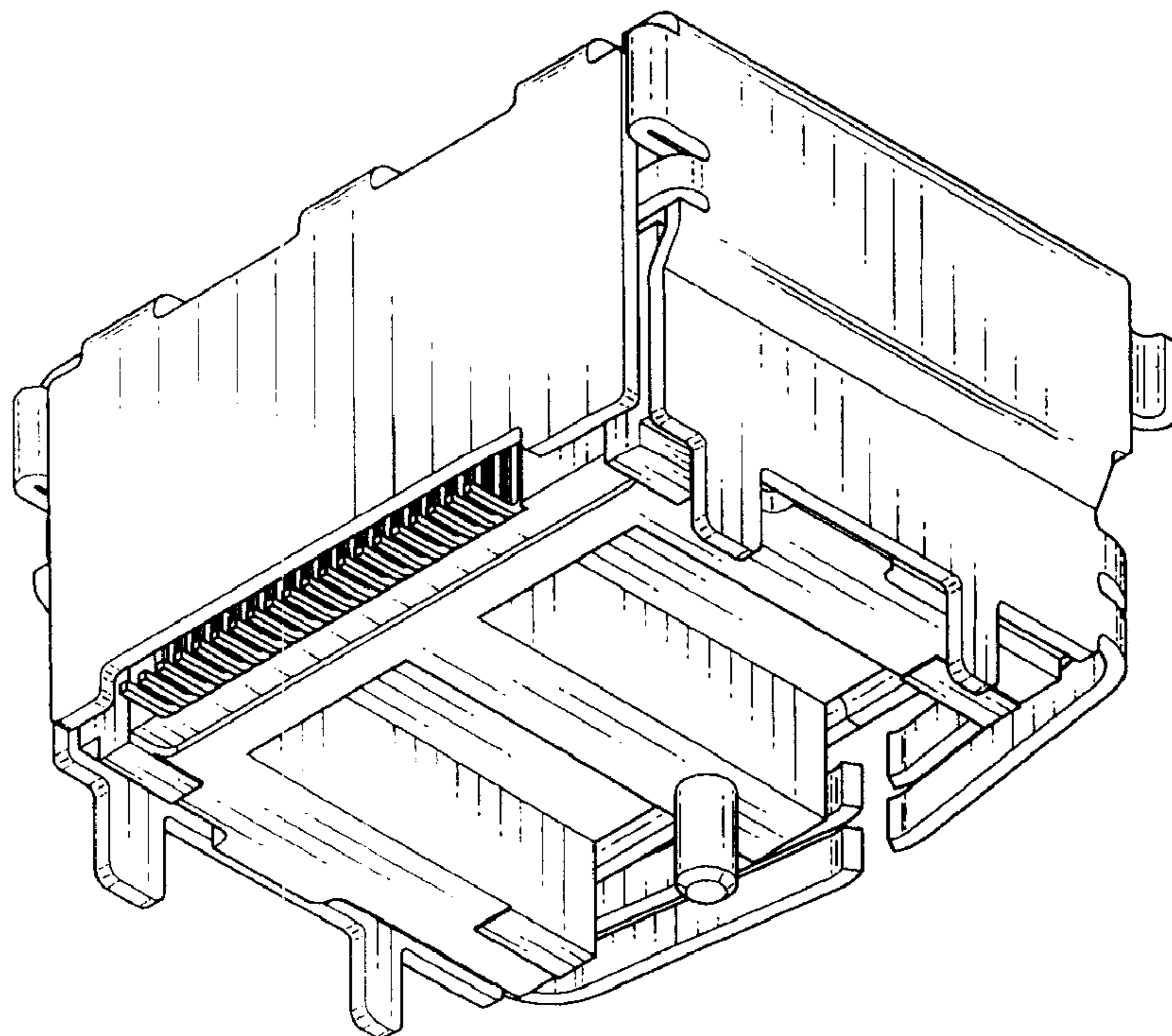


Fig. 3

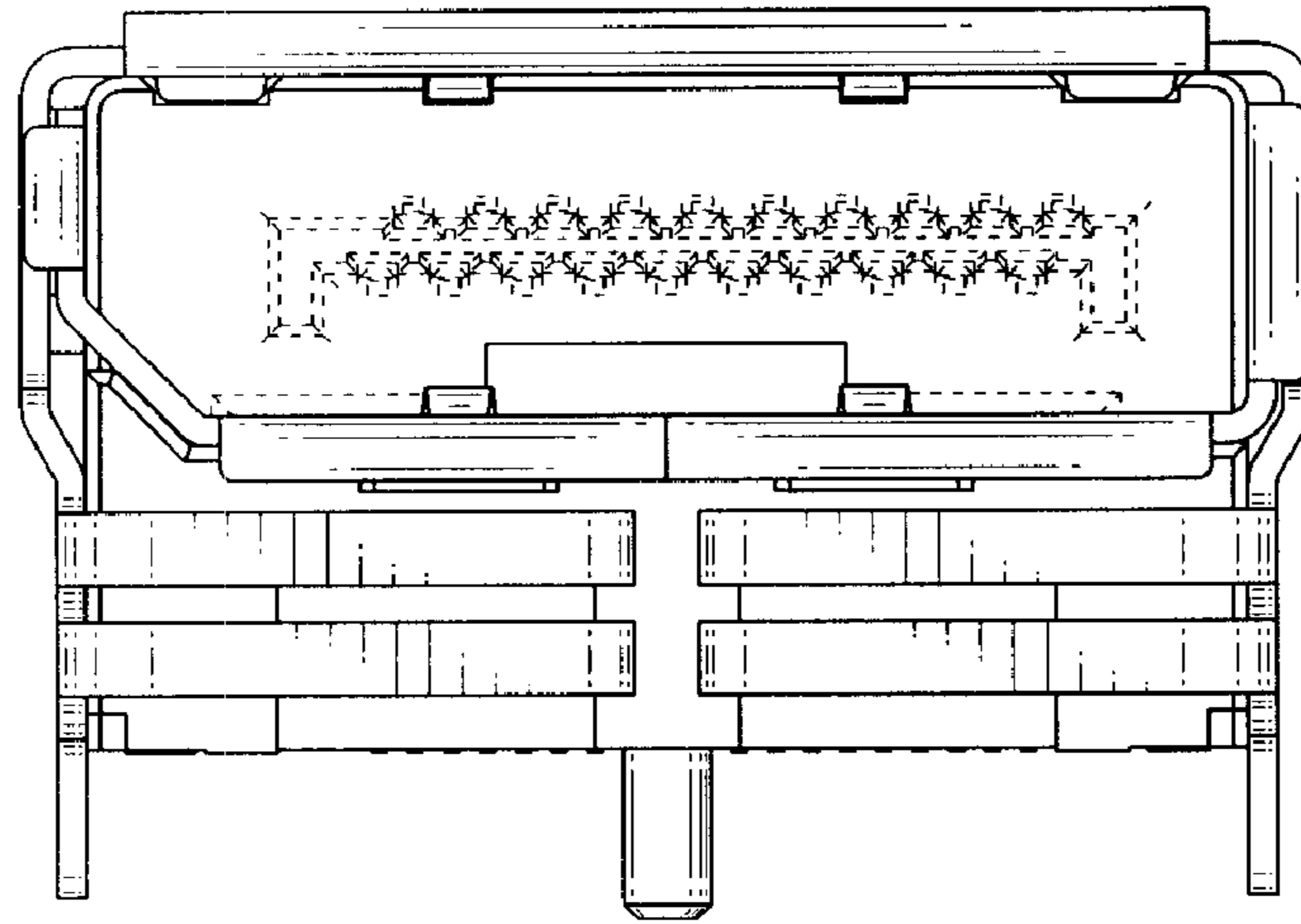
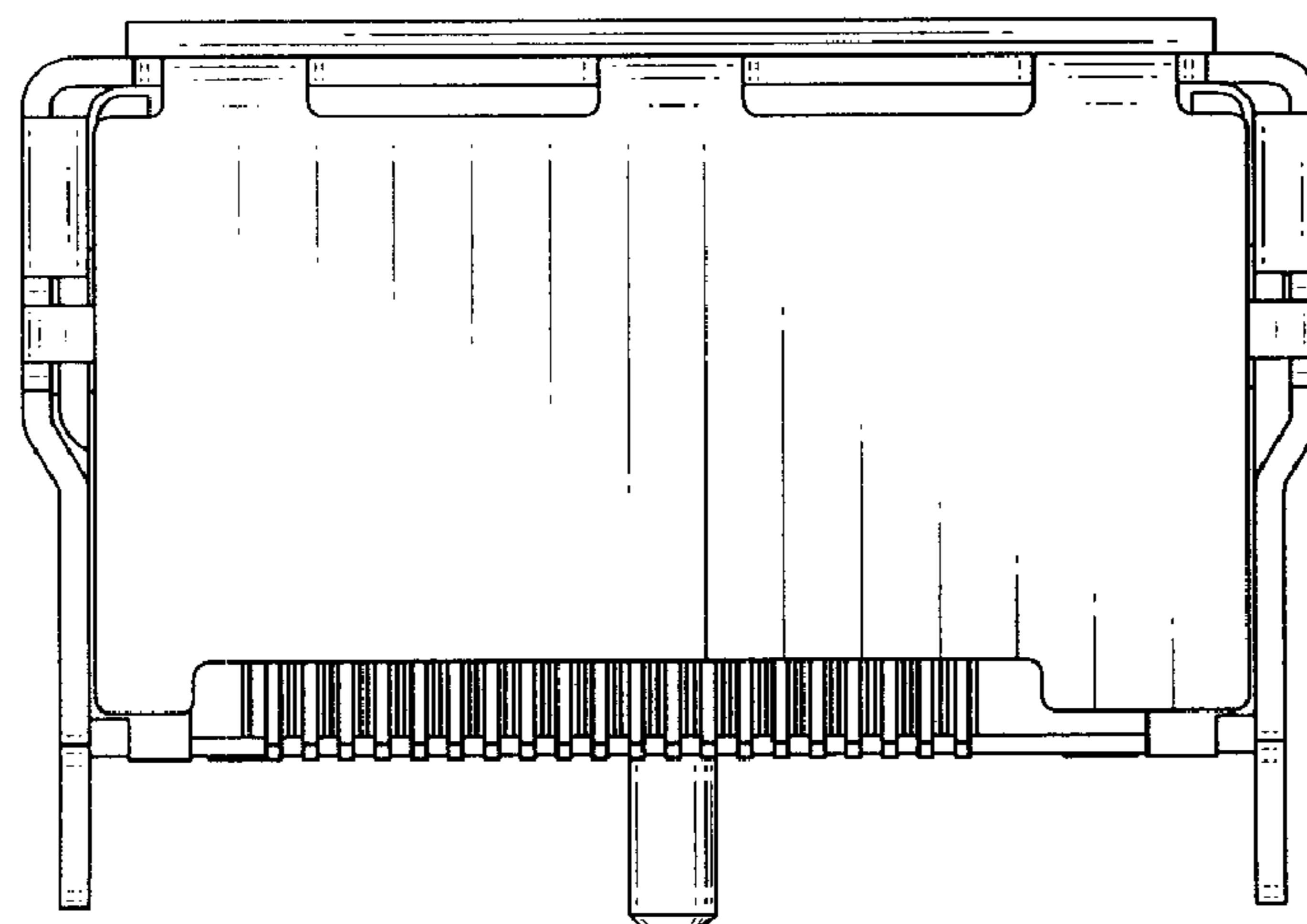
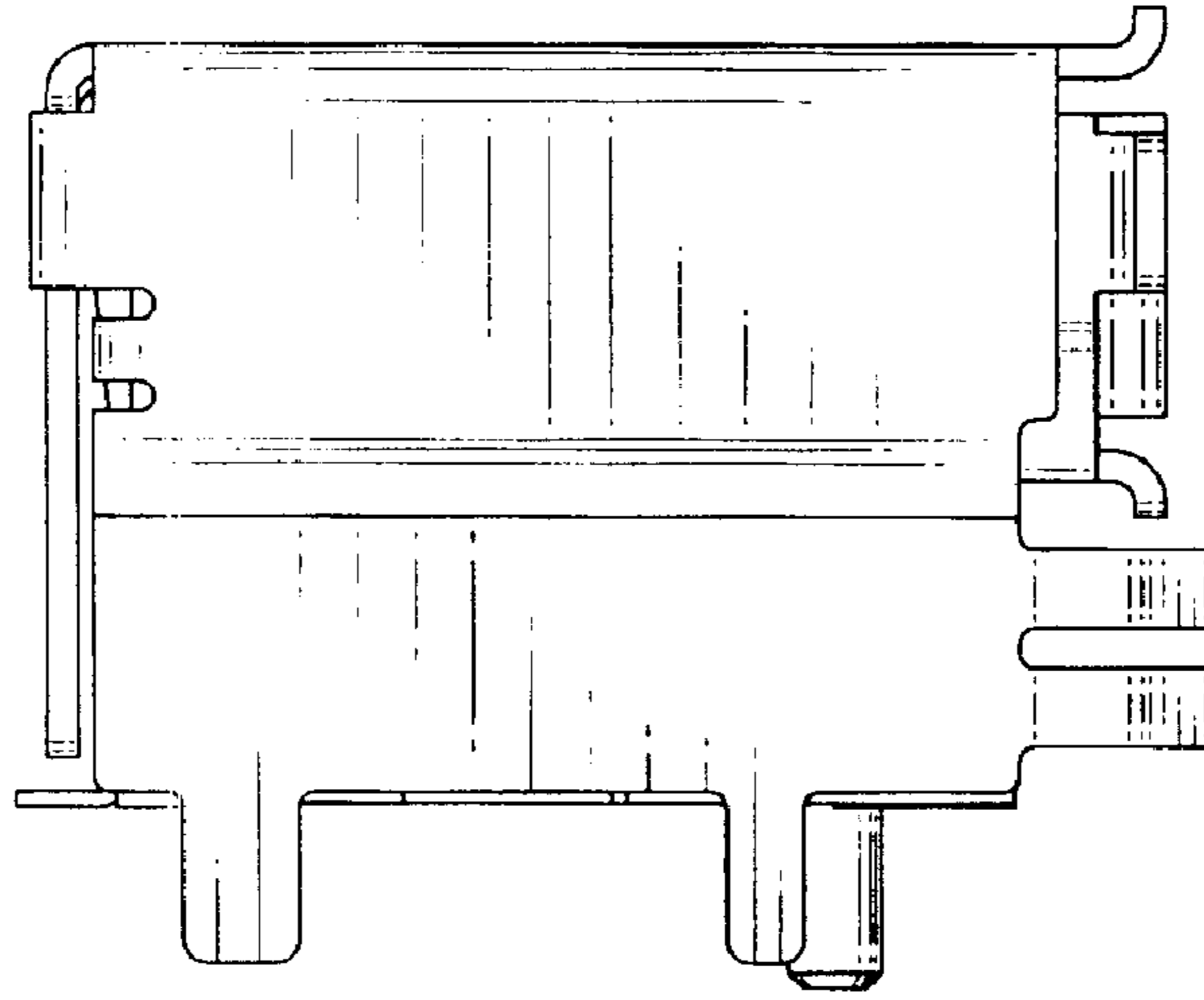


Fig. 4



**FIG. 5**



**FIG. 6**

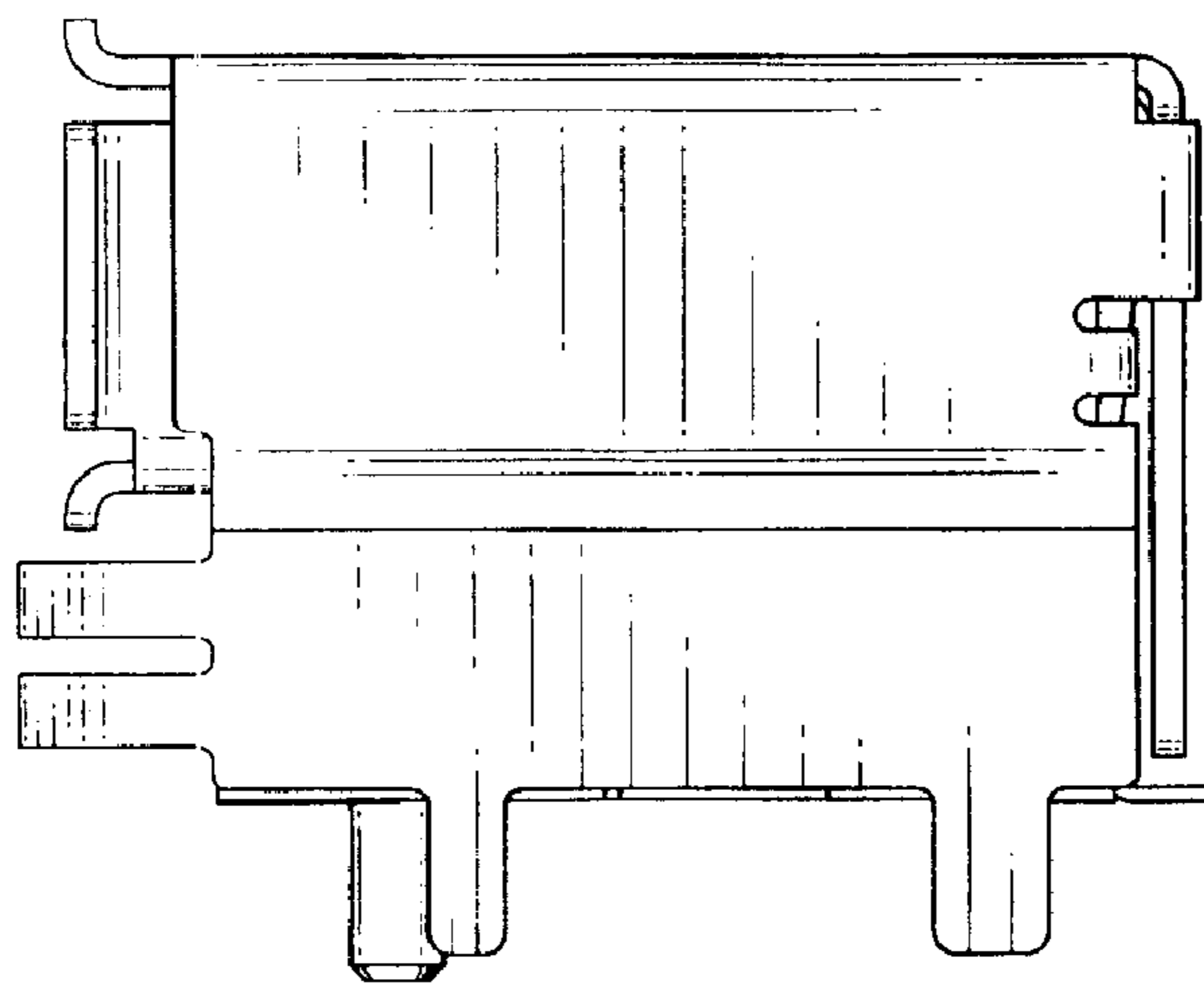


Fig. 7

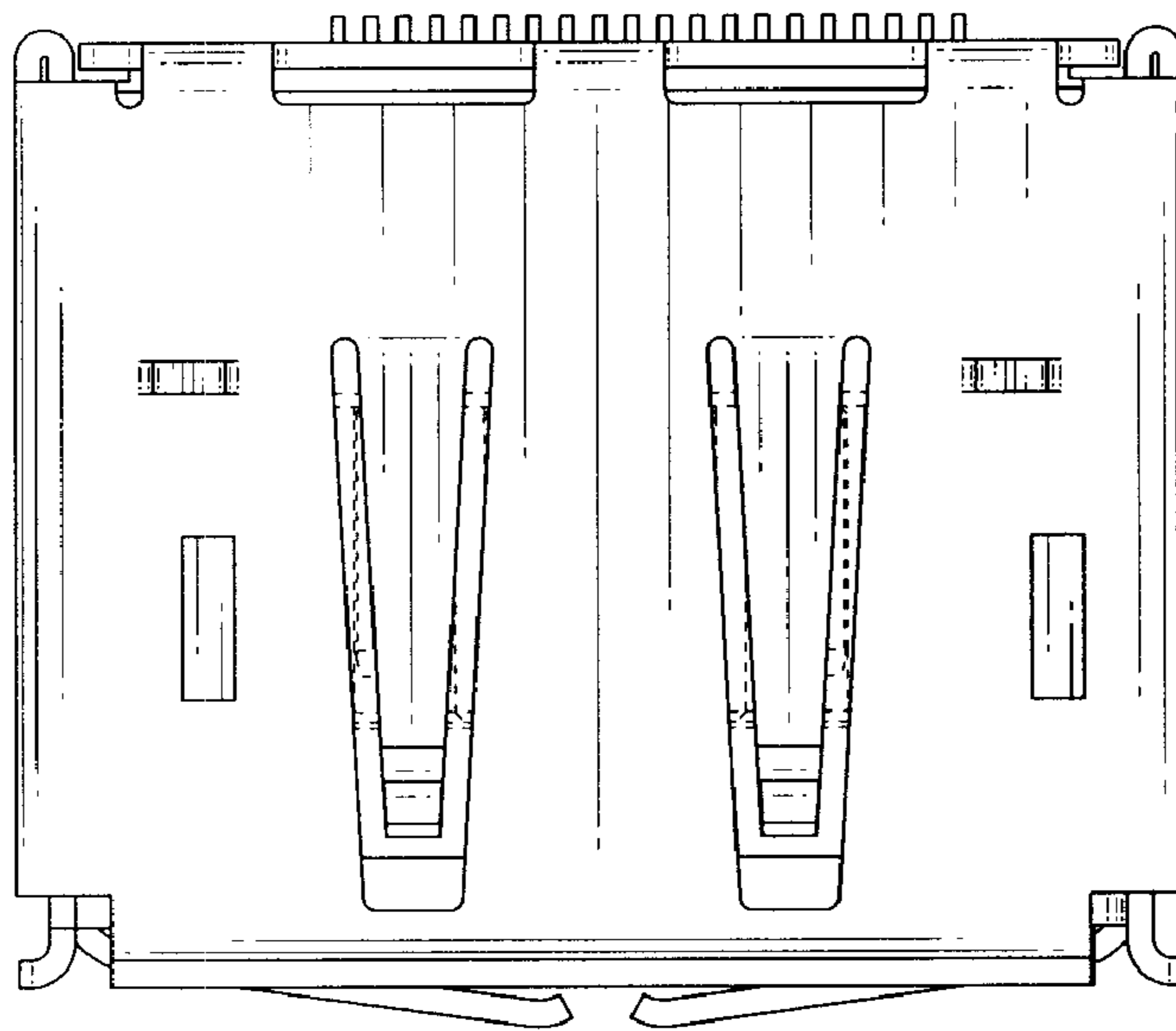
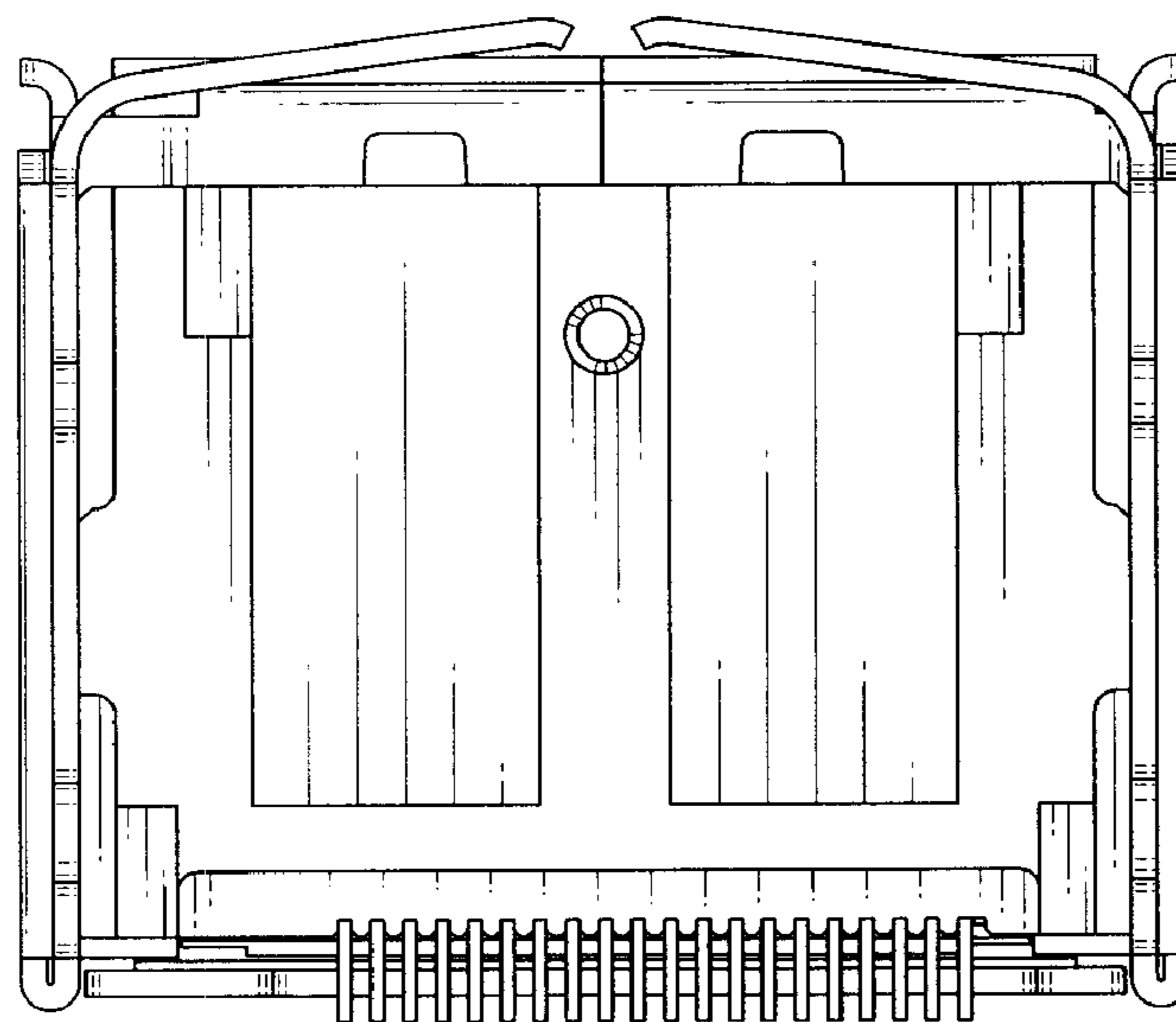
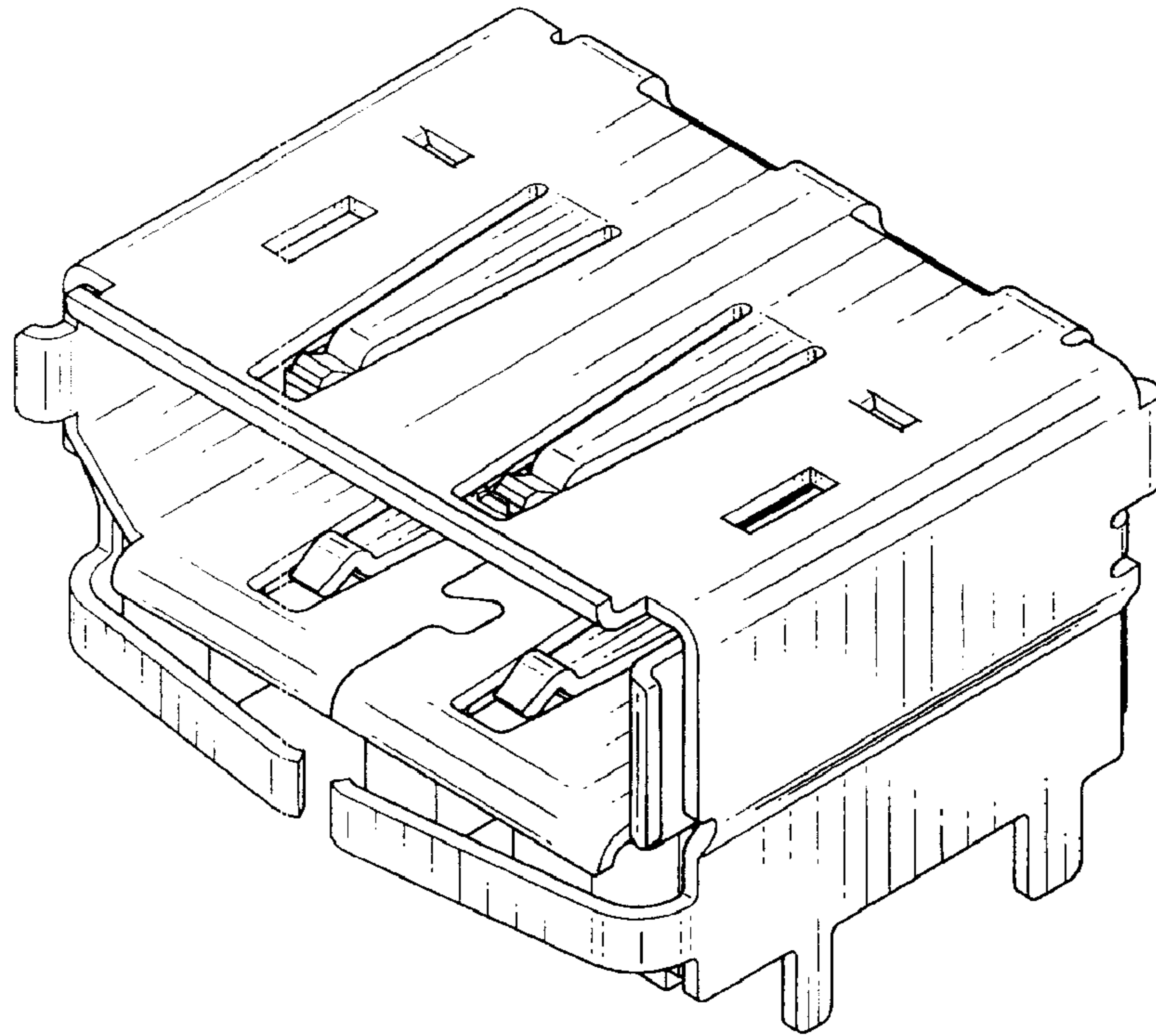


Fig. 8



**FIG. 9**



**FIG. 10**

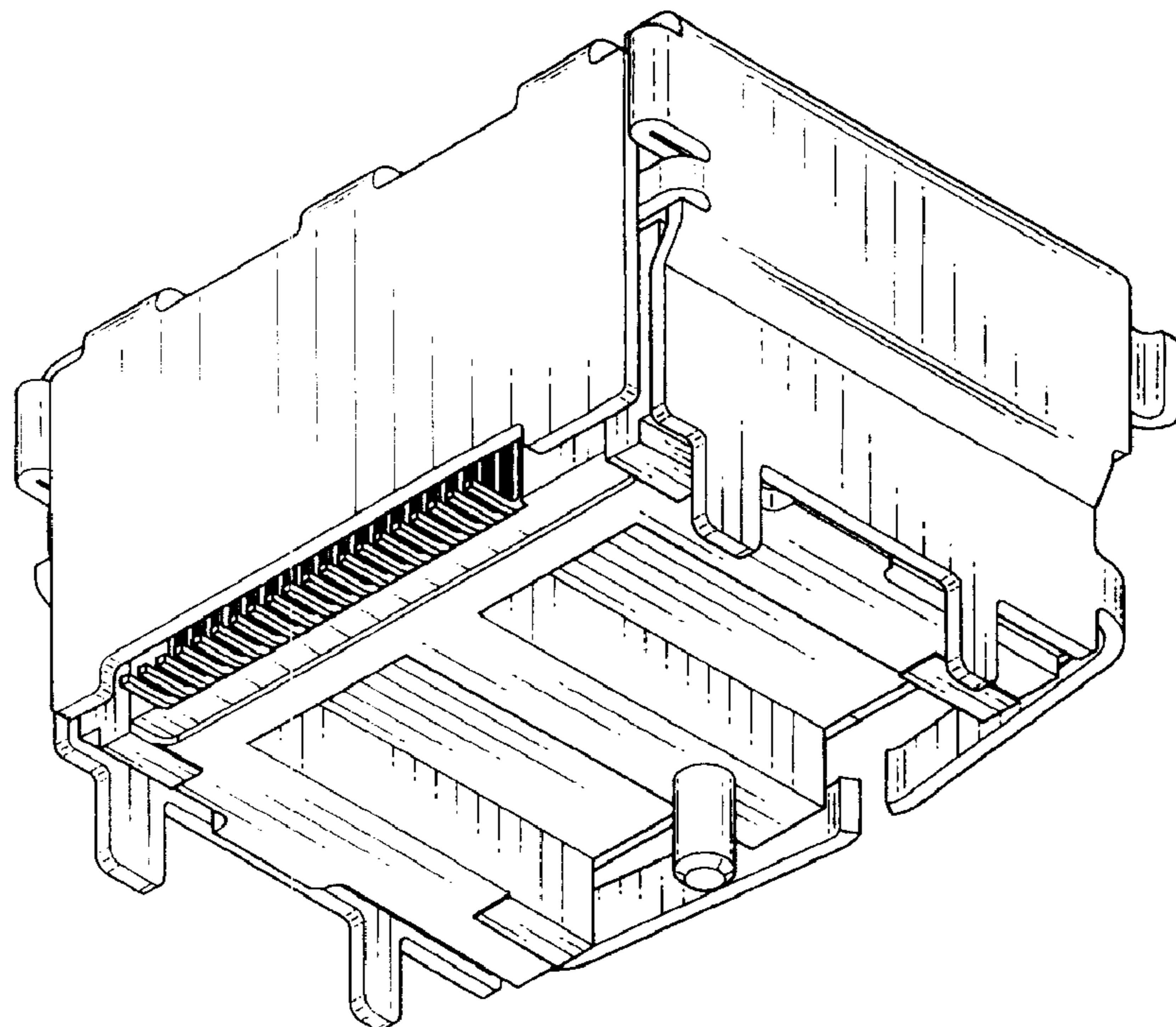


Fig. 11

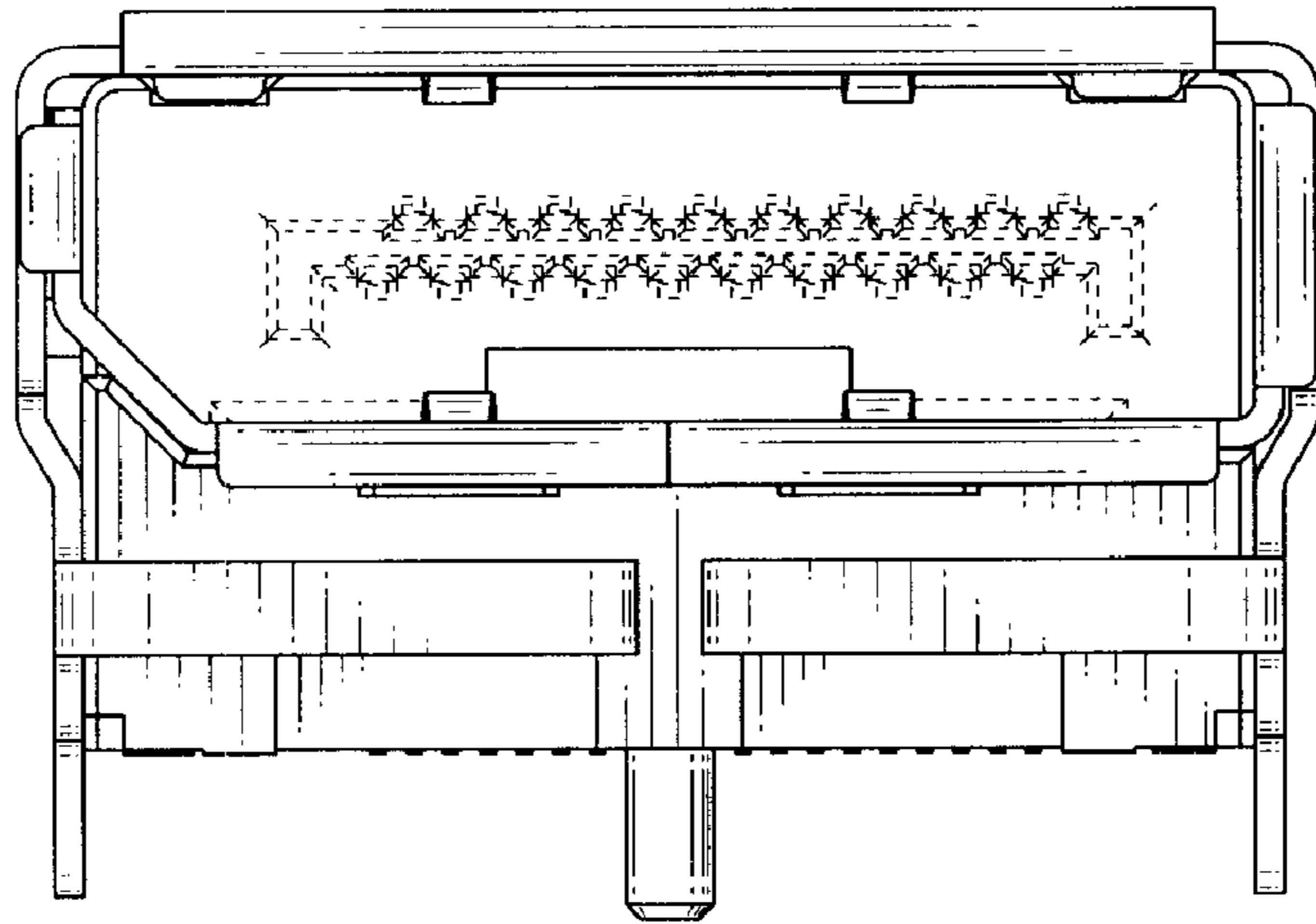


Fig. 12

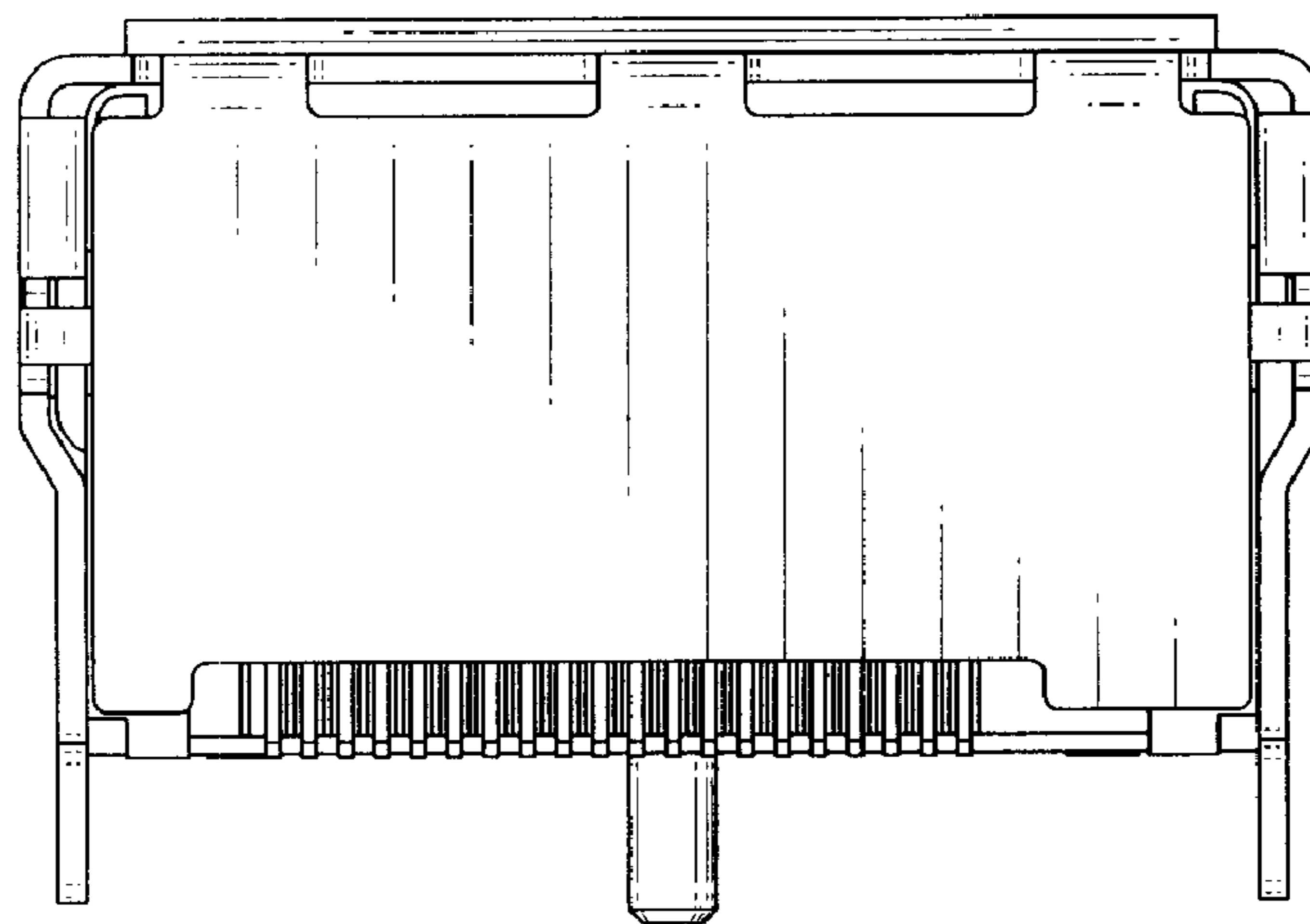


FIG. 13

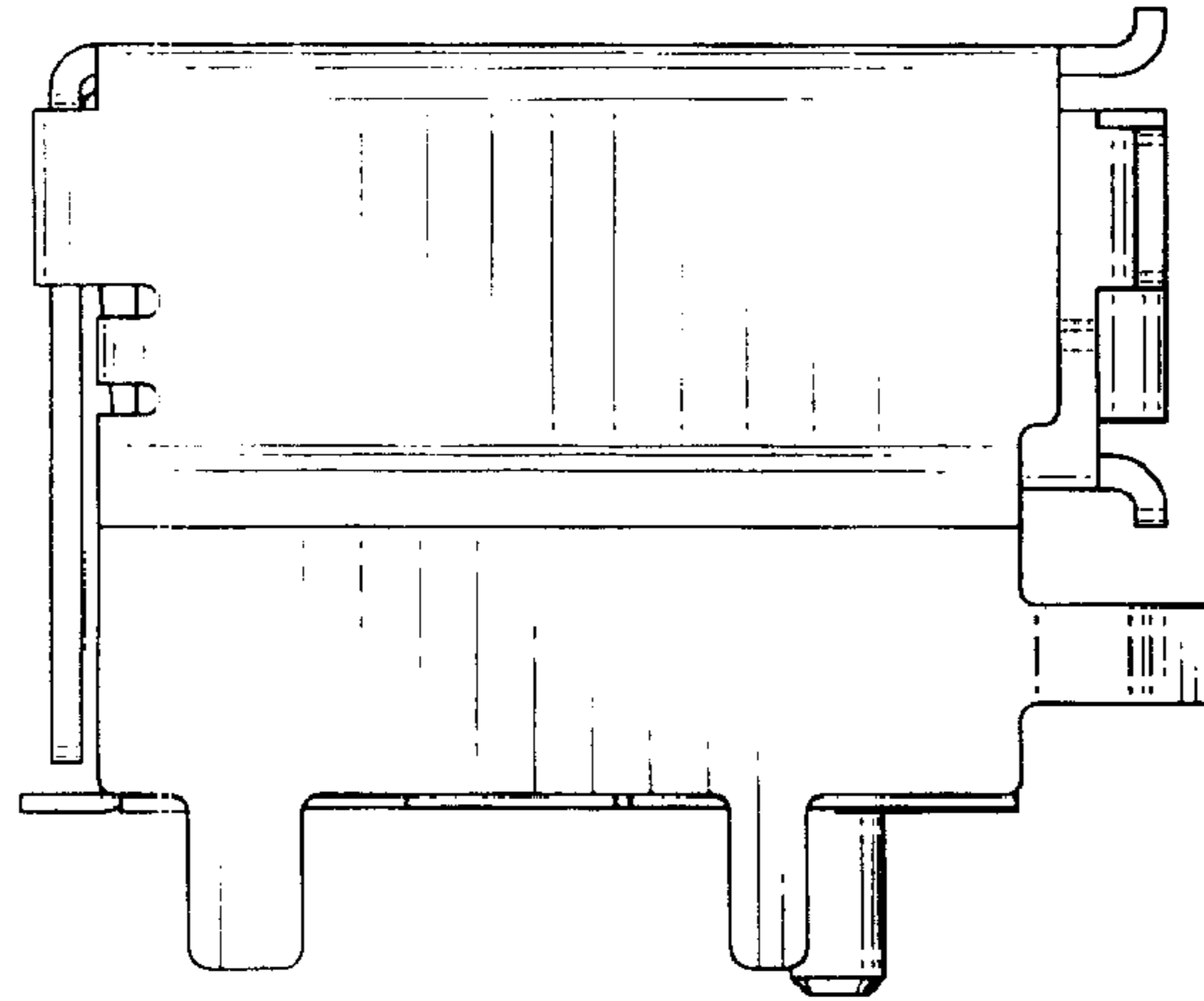


FIG. 14

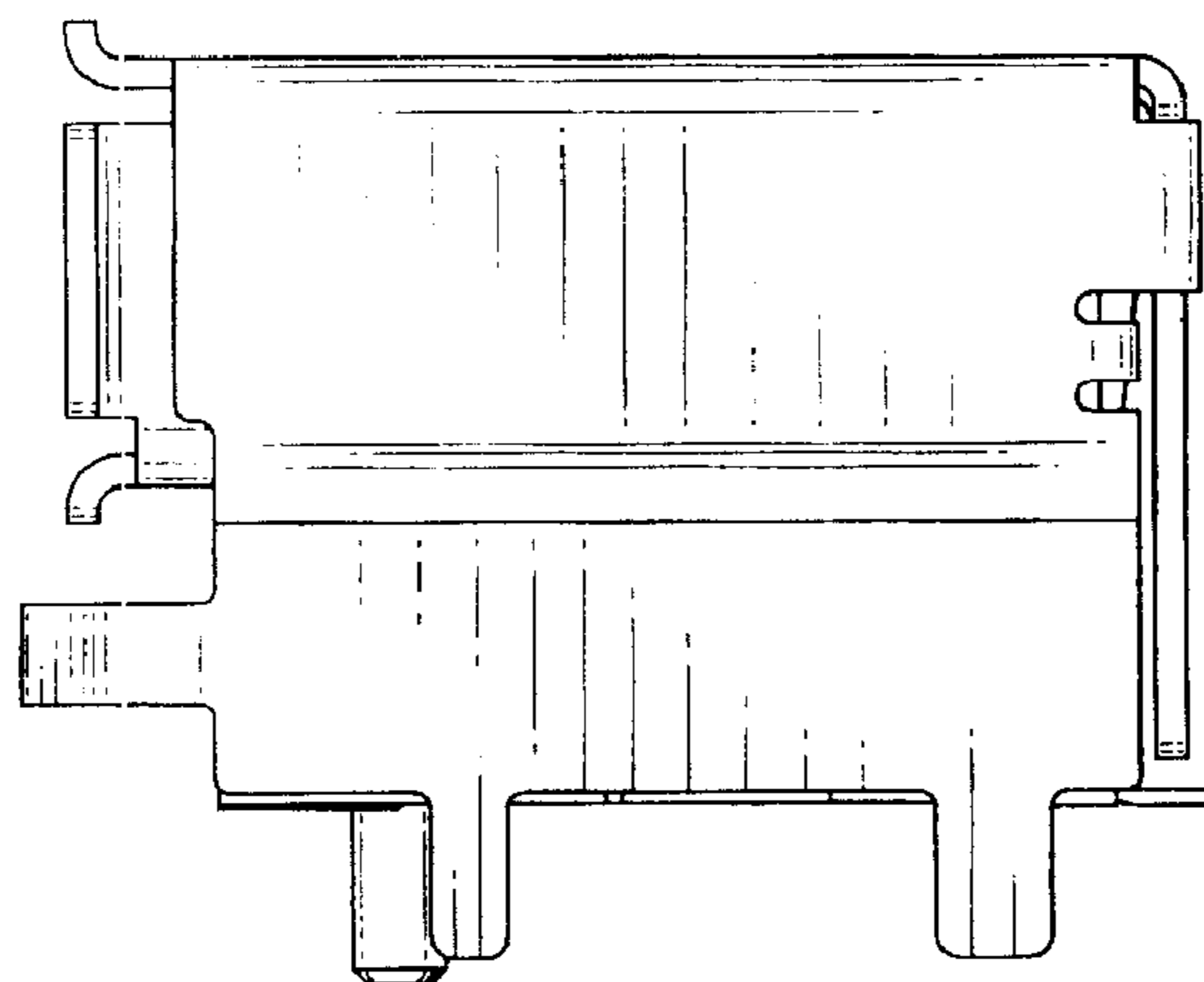




Fig. 15

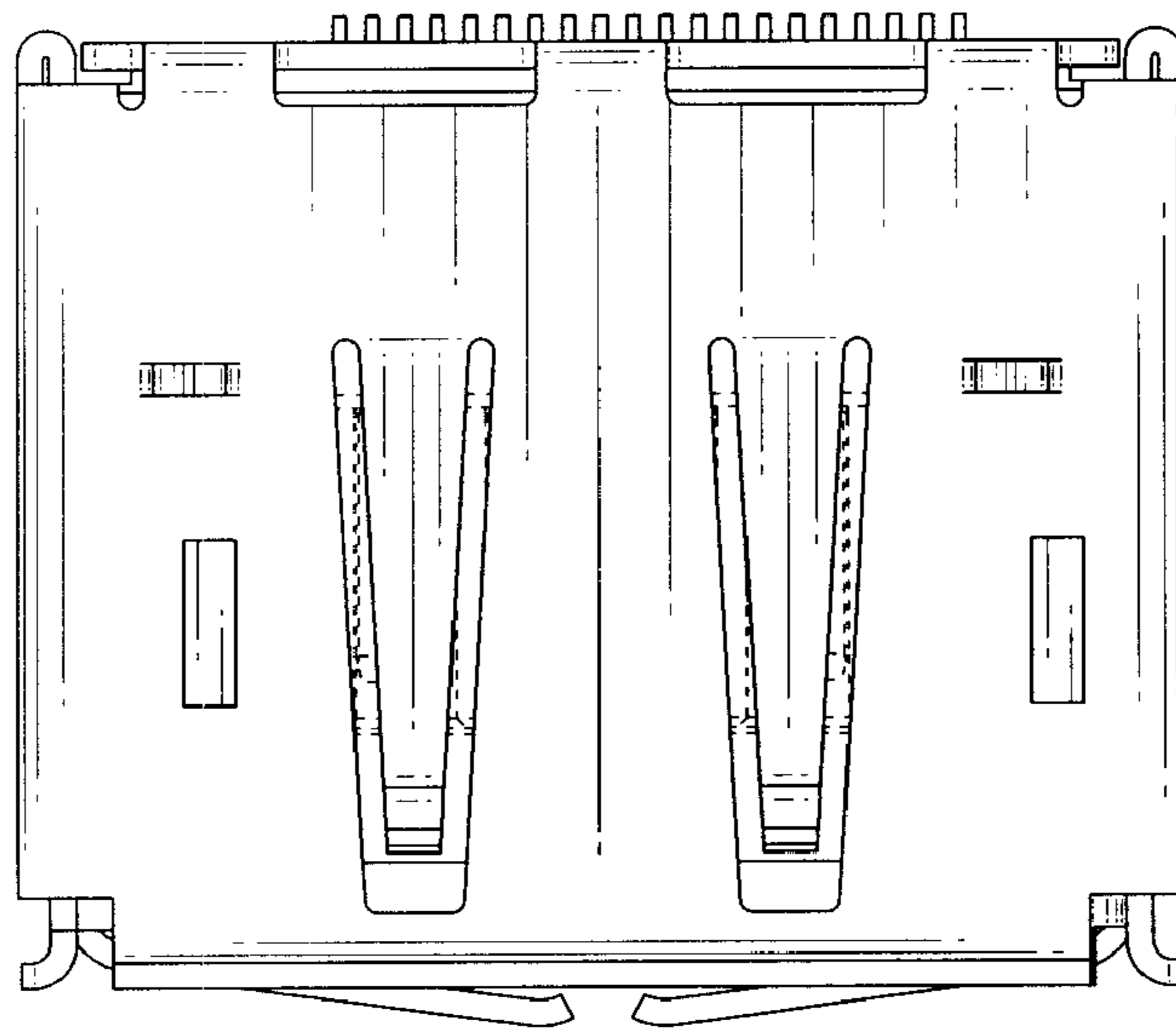


Fig. 16

