



US00D634706S

(12) **United States Design Patent**
Takeno et al.

(10) **Patent No.:** **US D634,706 S**
(45) **Date of Patent:** **** Mar. 22, 2011**

(54) **BATTERY CHARGER**

(75) Inventors: **Atsuro Takeno**, Saitama-ken (JP);
Takashi Maruyama, Saitama-ken (JP)

(73) Assignee: **Honda Motor Co., Ltd.**, Tokyo (JP)

(**) Term: **14 Years**

(21) Appl. No.: **29/376,398**

(22) Filed: **Oct. 6, 2010**

(51) **LOC (9) Cl.** **13-02**

(52) **U.S. Cl.** **D13/107**

(58) **Field of Classification Search** D13/106–110,
D13/118–119, 184, 199; D15/9; 320/107–115
See application file for complete search history.

(56) **References Cited**

U.S. PATENT DOCUMENTS

| | | | | |
|--------------|---------|----------------|-------|---------|
| D407,065 S * | 3/1999 | Chang | | D13/110 |
| D491,141 S * | 6/2004 | Krieger et al. | | D13/107 |
| D505,388 S * | 5/2005 | Krieger et al. | | D13/107 |
| D511,491 S * | 11/2005 | Hriscu et al. | | D13/107 |
| D527,342 S * | 8/2006 | Krieger et al. | | D13/107 |
| D530,271 S * | 10/2006 | Hriscu et al. | | D13/107 |
| D535,251 S * | 1/2007 | Kwong | | D13/107 |
| D549,170 S * | 8/2007 | Yen | | D13/107 |
| D585,822 S * | 2/2009 | Hsu | | D13/107 |
| D609,632 S * | 2/2010 | Daniels et al. | | D13/107 |
| D609,633 S * | 2/2010 | Daniels et al. | | D13/107 |
| D609,634 S * | 2/2010 | Daniels et al. | | D13/107 |

* cited by examiner

Primary Examiner — Rosemary K Tarcza

(74) *Attorney, Agent, or Firm* — Westerman, Hattori,
Daniels & Adrian, LLP

(57) **CLAIM**

The ornamental design for a battery charger, as shown and described.

DESCRIPTION

FIG. 1 is a perspective view from the left side of a battery charger.

FIG. 2 is a perspective view from the right side thereof.

FIG. 3 is a perspective view from the left side thereof.

FIG. 4 is a perspective view from the right side thereof.

FIG. 5 is a front elevation view thereof.

FIG. 6 is a rear elevation view thereof.

FIG. 7 is a top plan view thereof.

FIG. 8 is a bottom plan view thereof.

FIG. 9 is a right side elevation view thereof.

FIG. 10 is a left side elevation view thereof.

FIG. 11 is an alternate perspective view from the left side thereof.

FIG. 12 is an alternate perspective view from the right side thereof.

FIG. 13 is an alternate perspective view from the left side thereof; and,

FIG. 14 is an alternate perspective view from the right side thereof.

The portions of the battery charger shown in broken lines are for the purpose of showing environmental structure only and form no part of the claimed design.

1 Claim, 14 Drawing Sheets

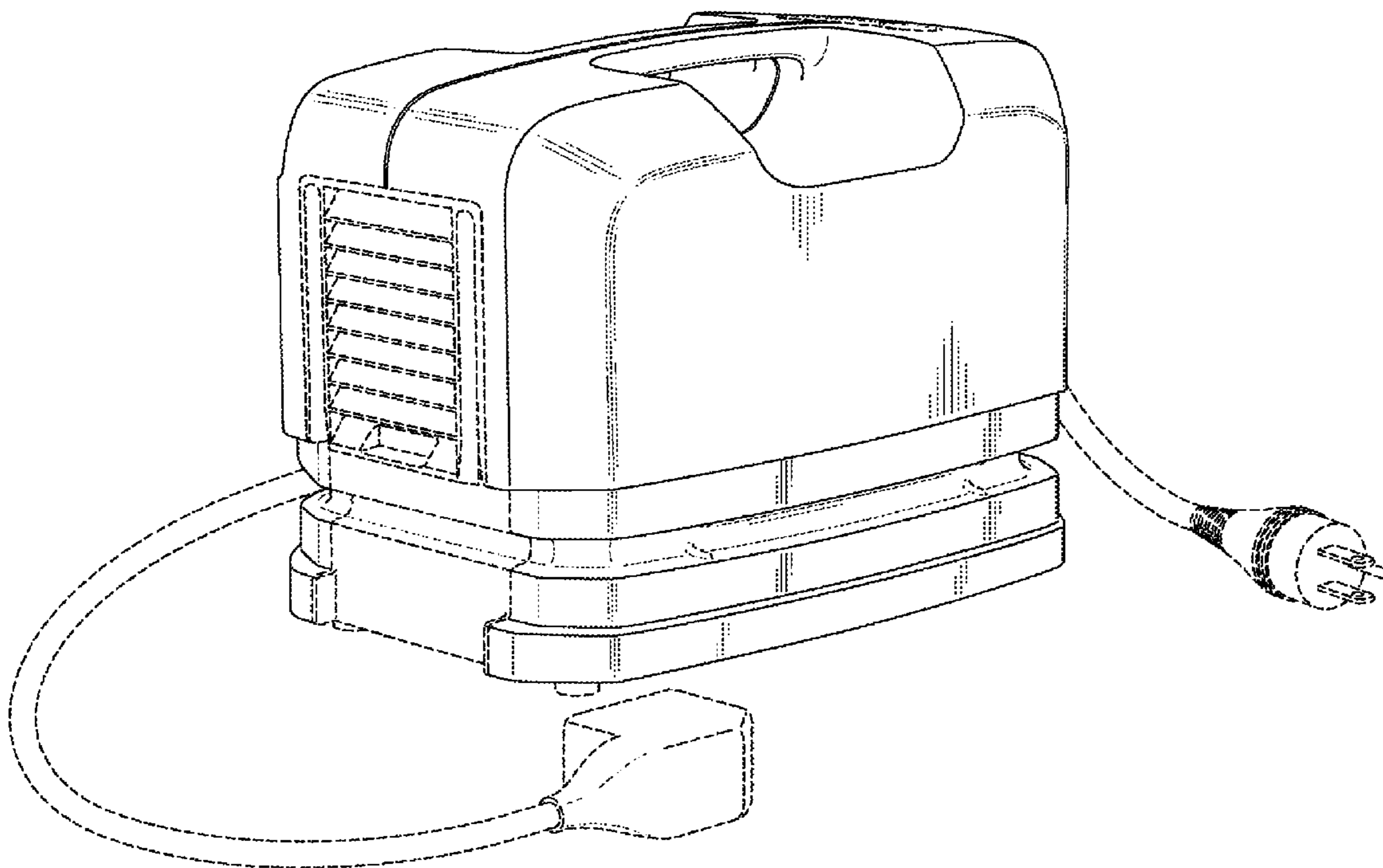


FIG. 1

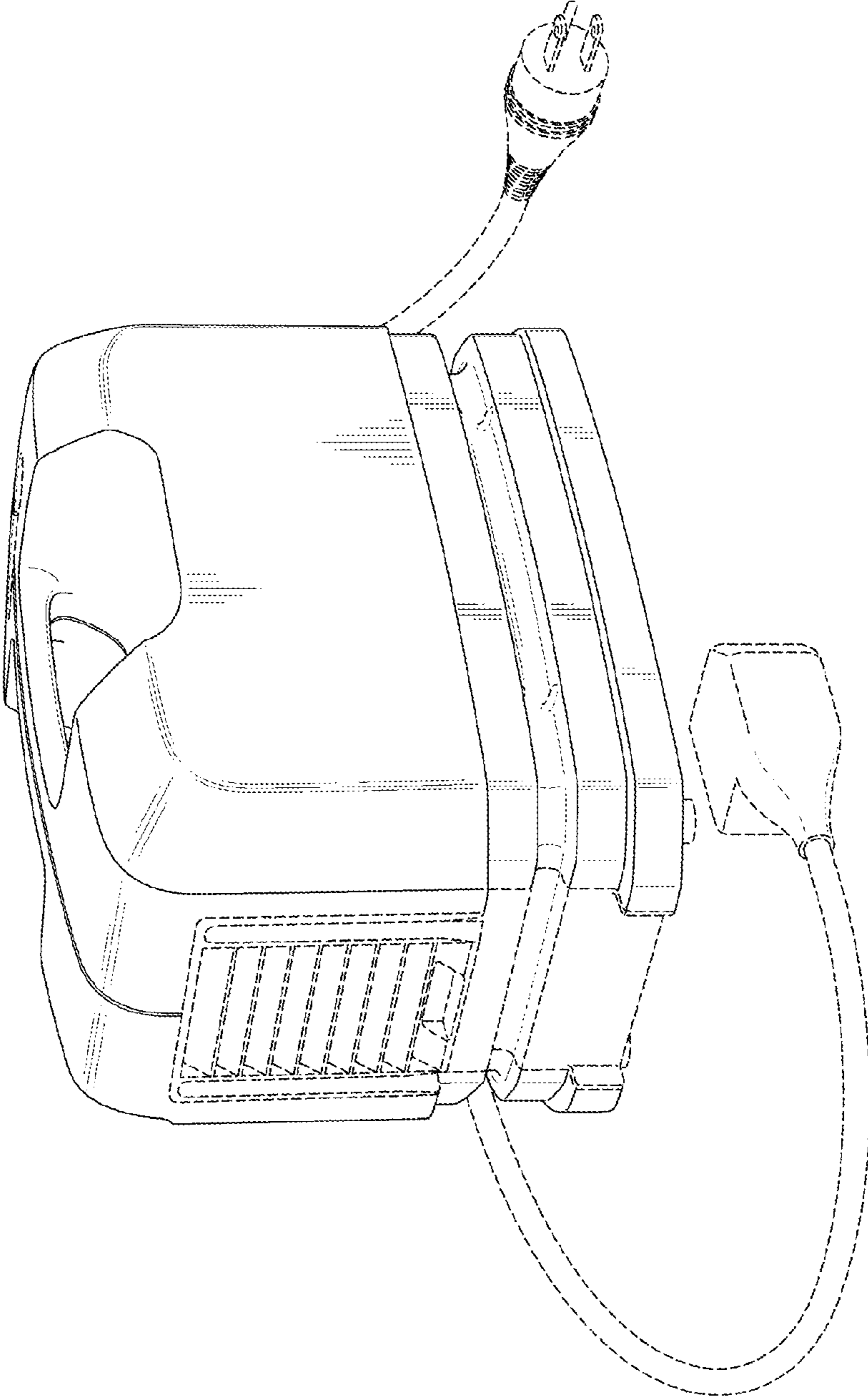


FIG. 2

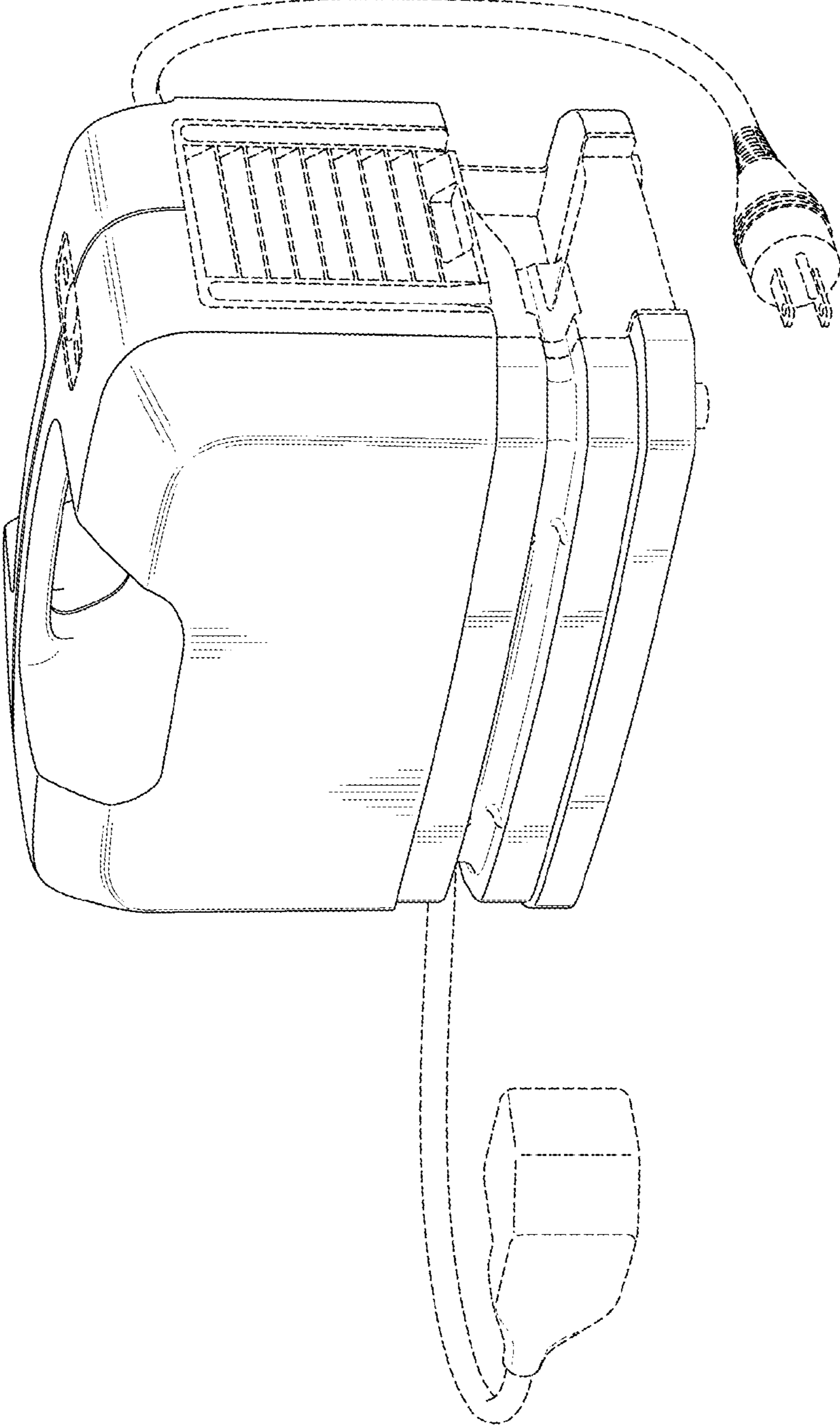


FIG. 3

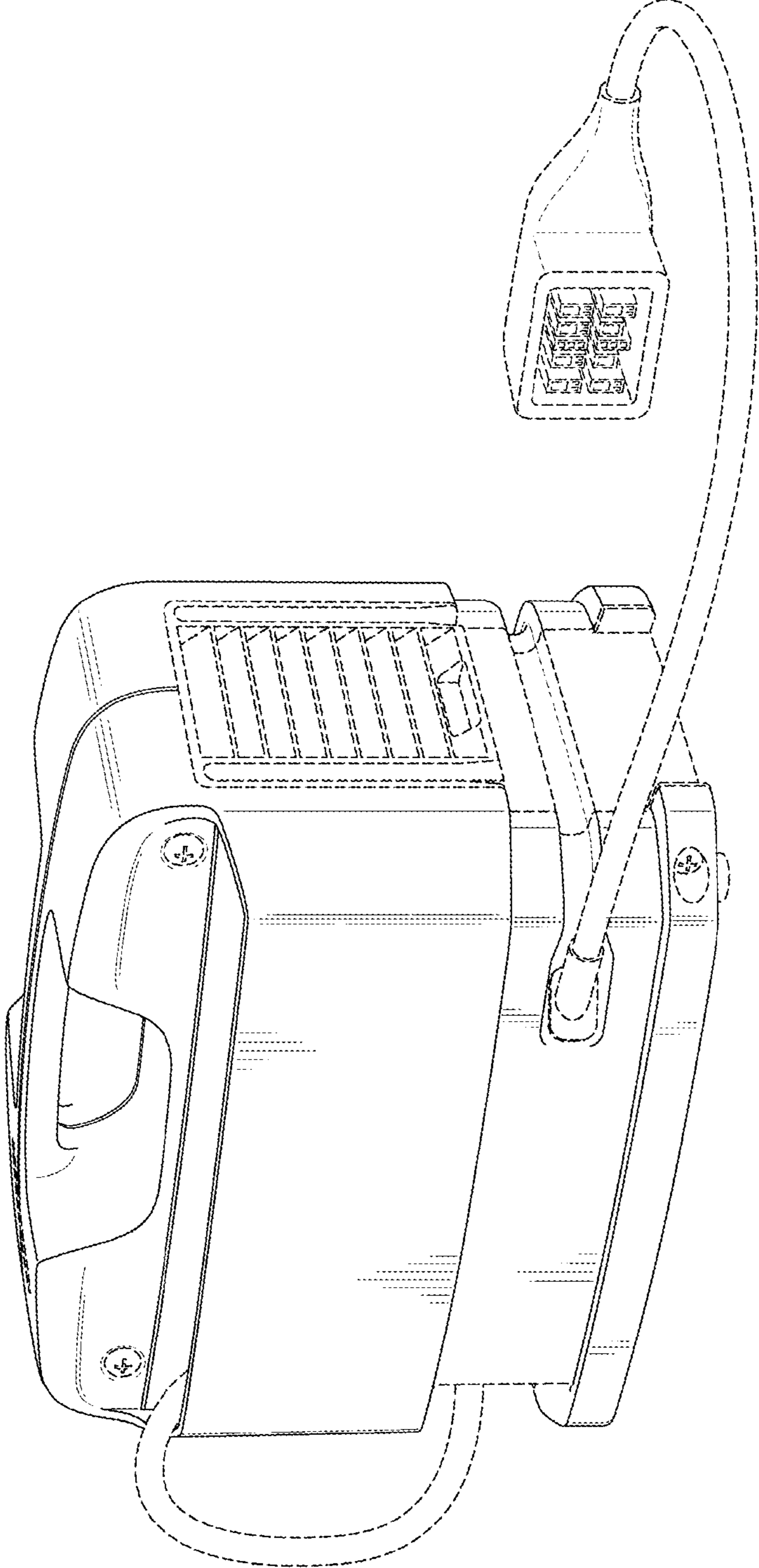


FIG. 4

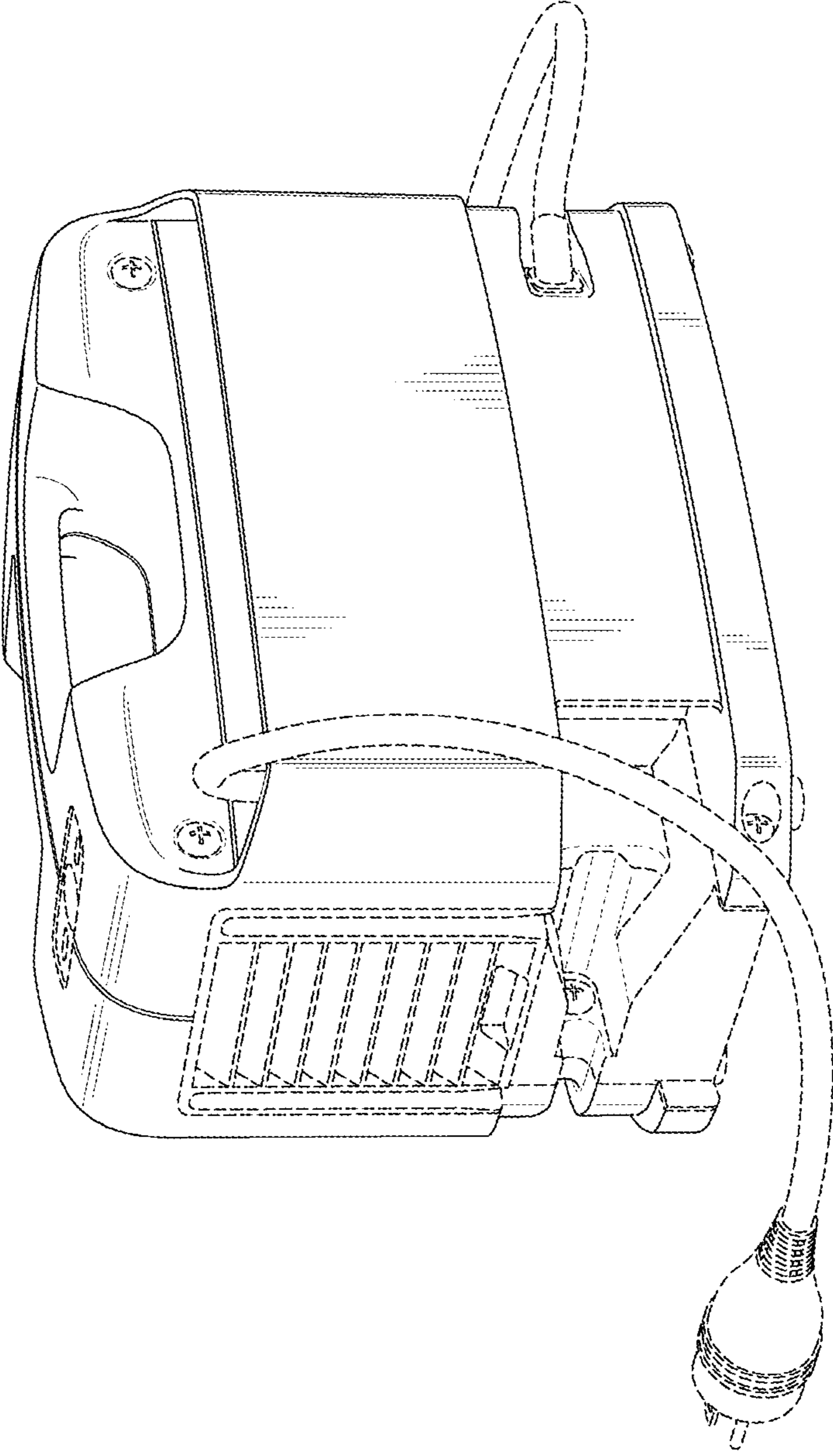


FIG. 5

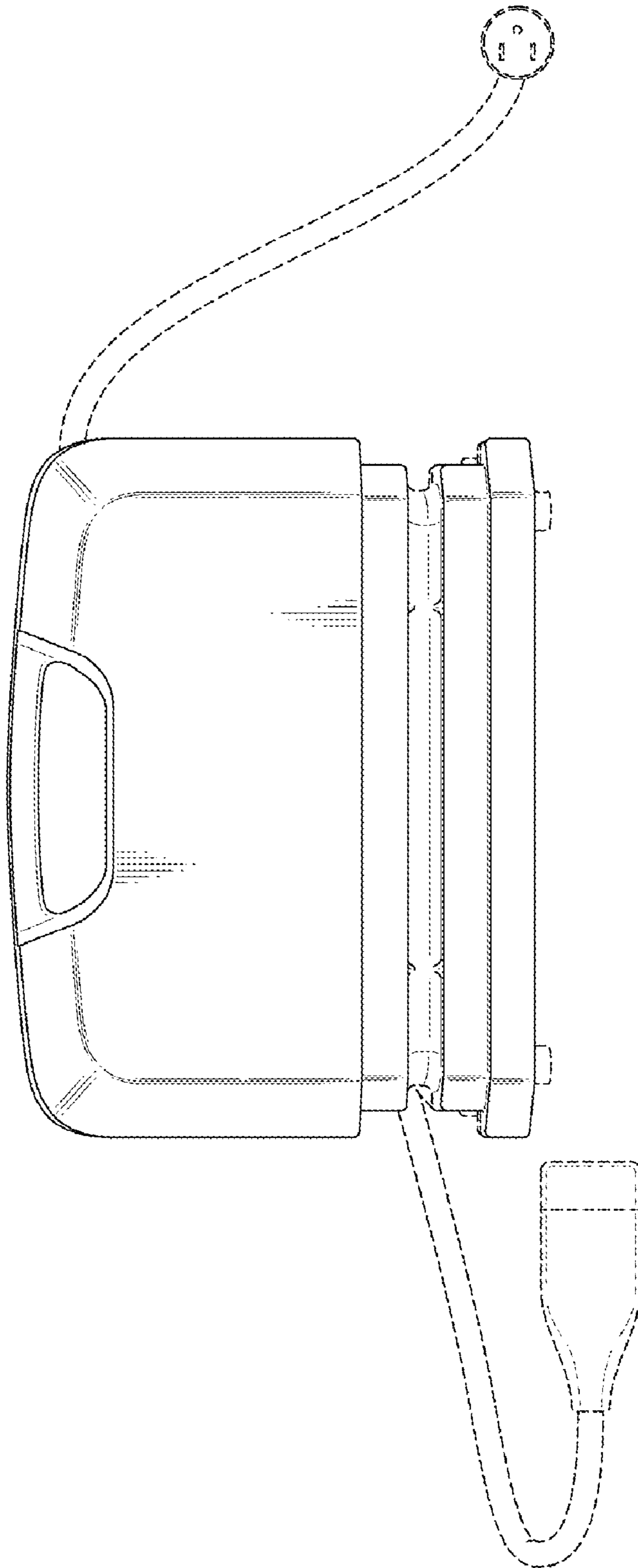


FIG. 6

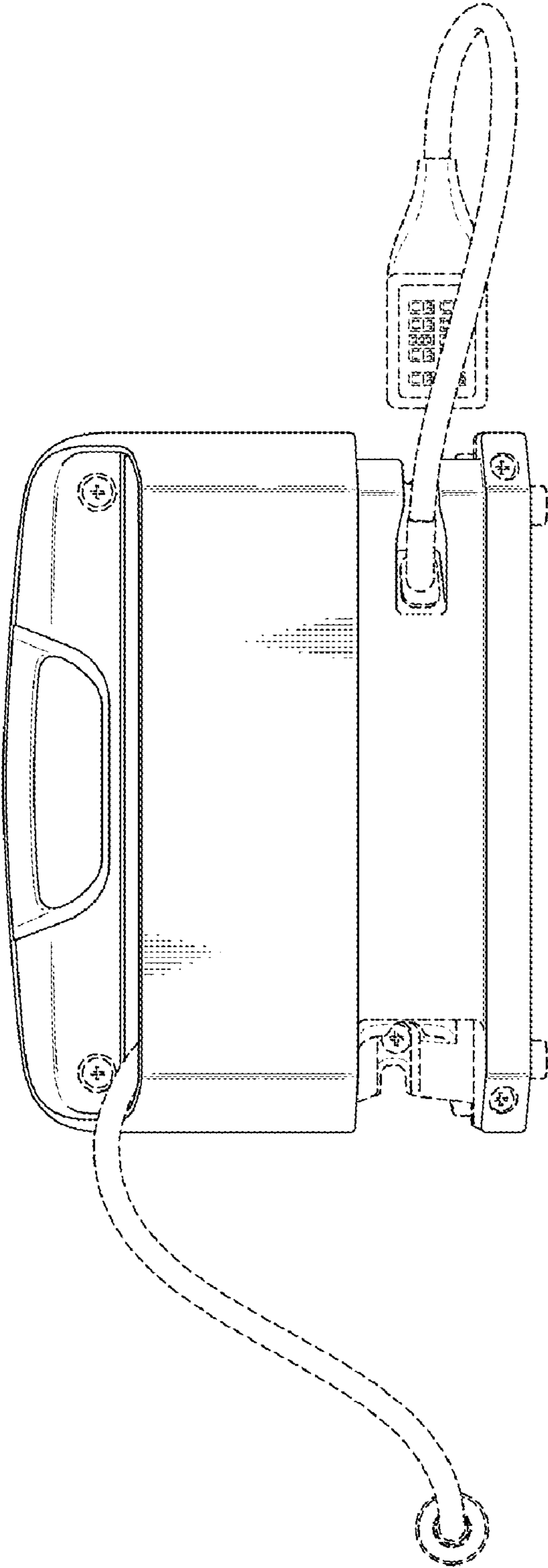


FIG. 7

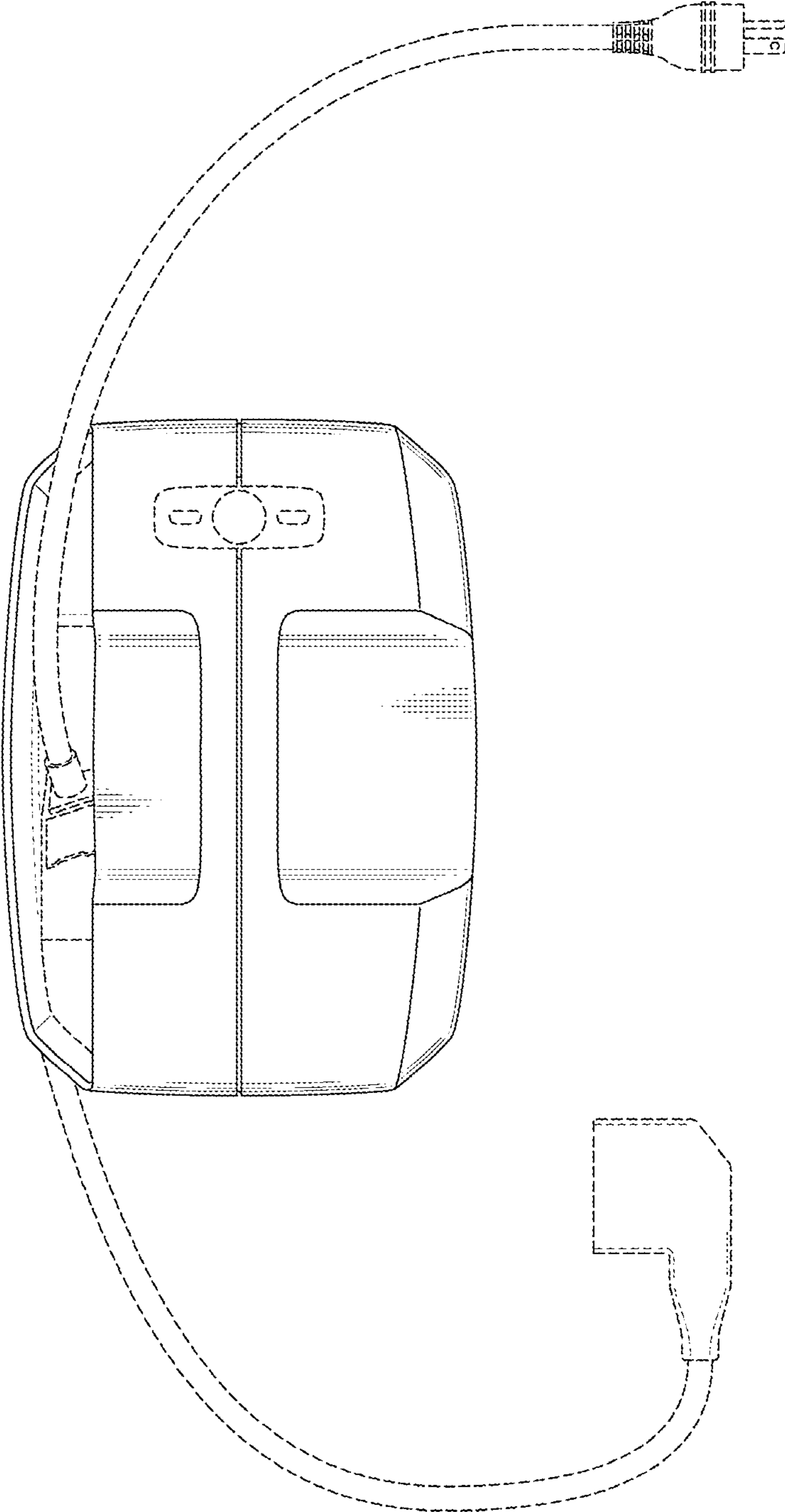


FIG. 8

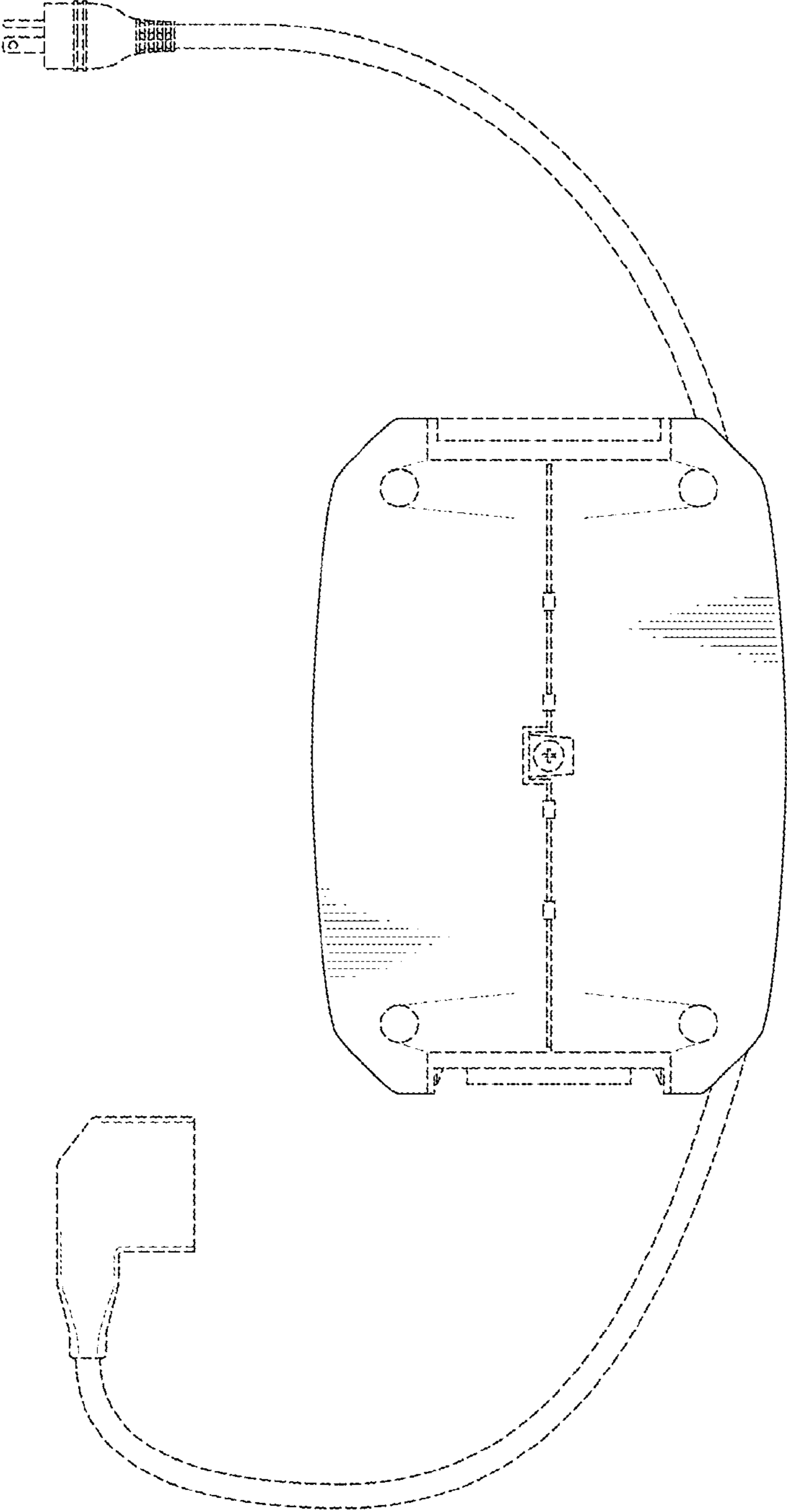


FIG. 9

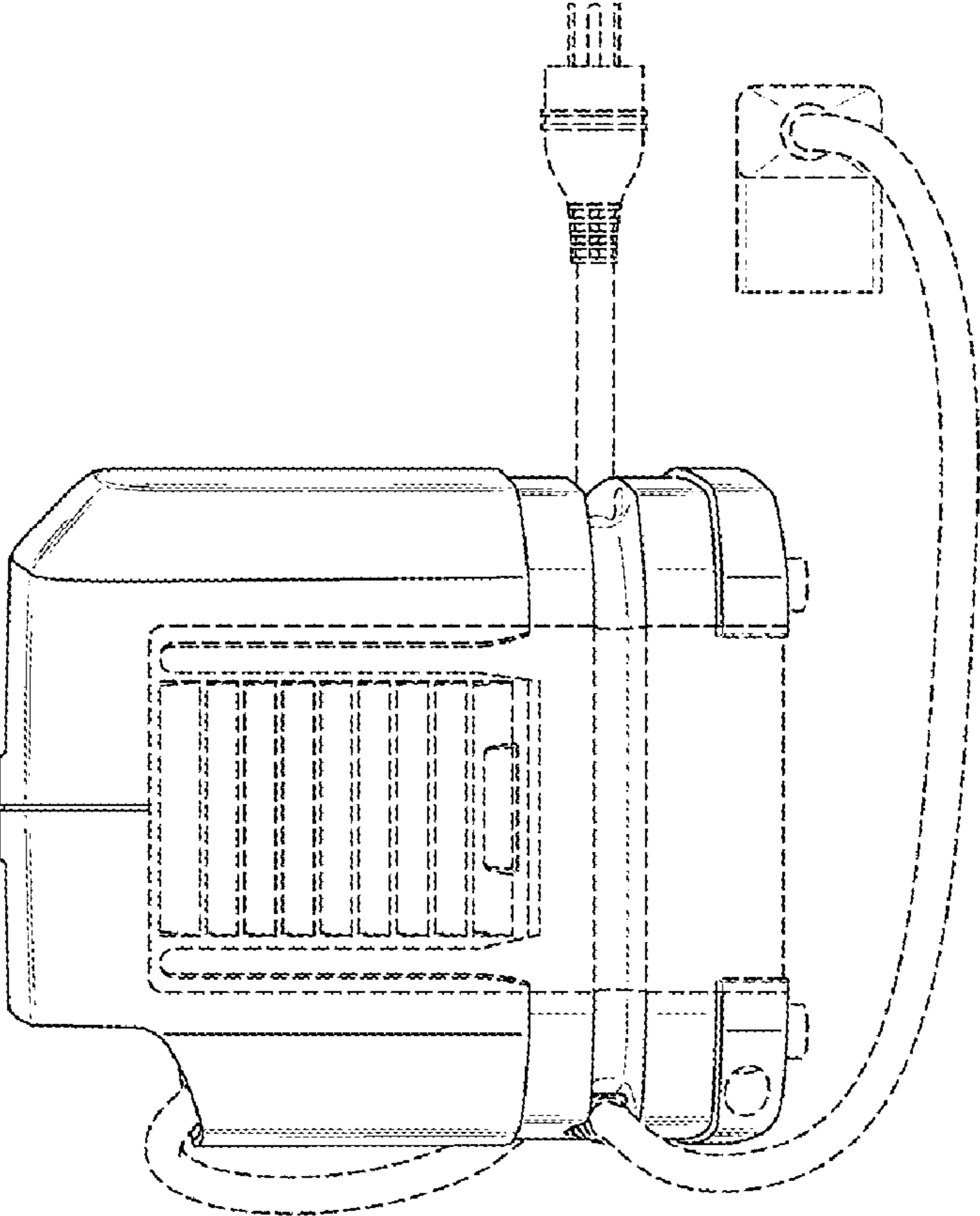


FIG. 10

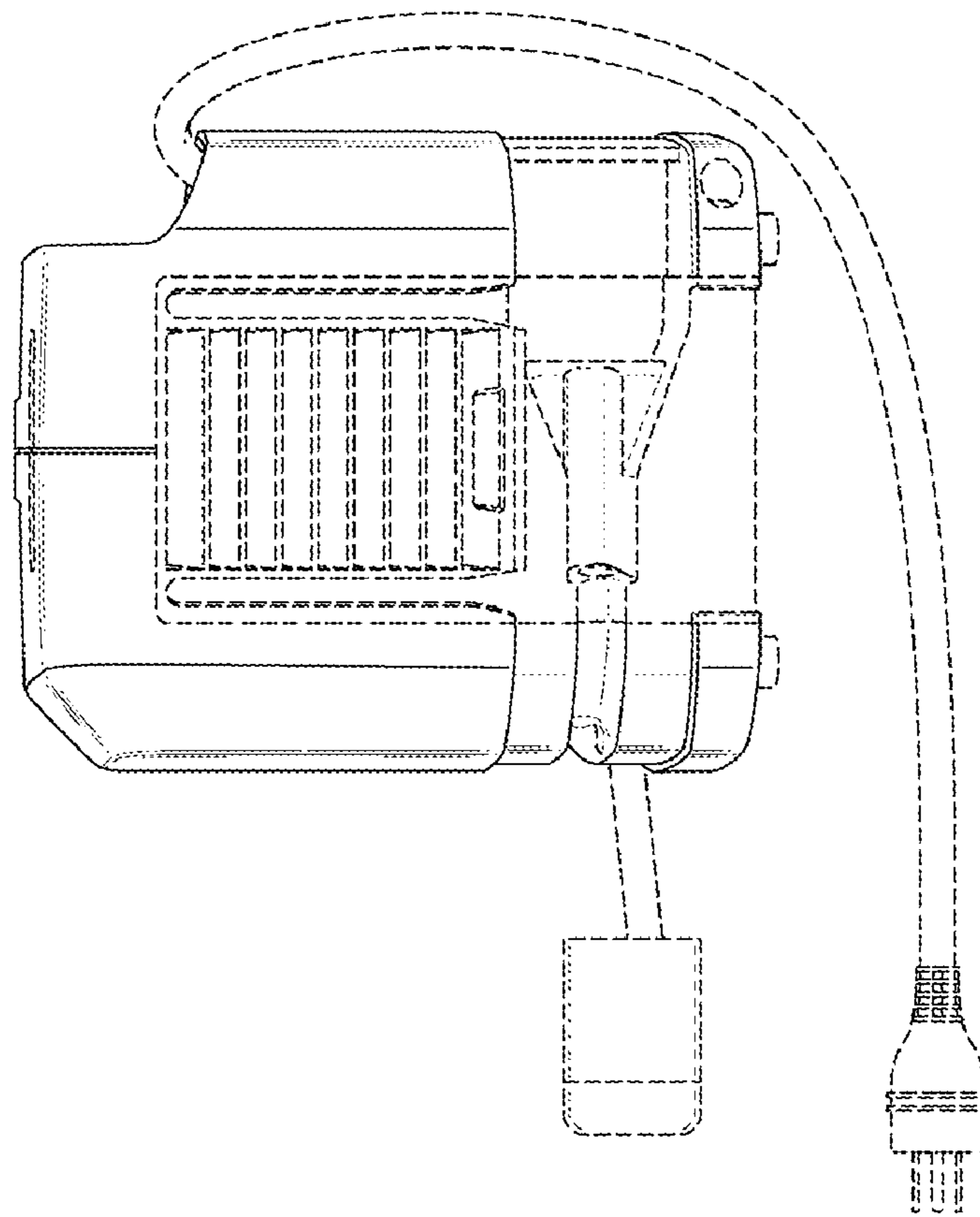


FIG. 11

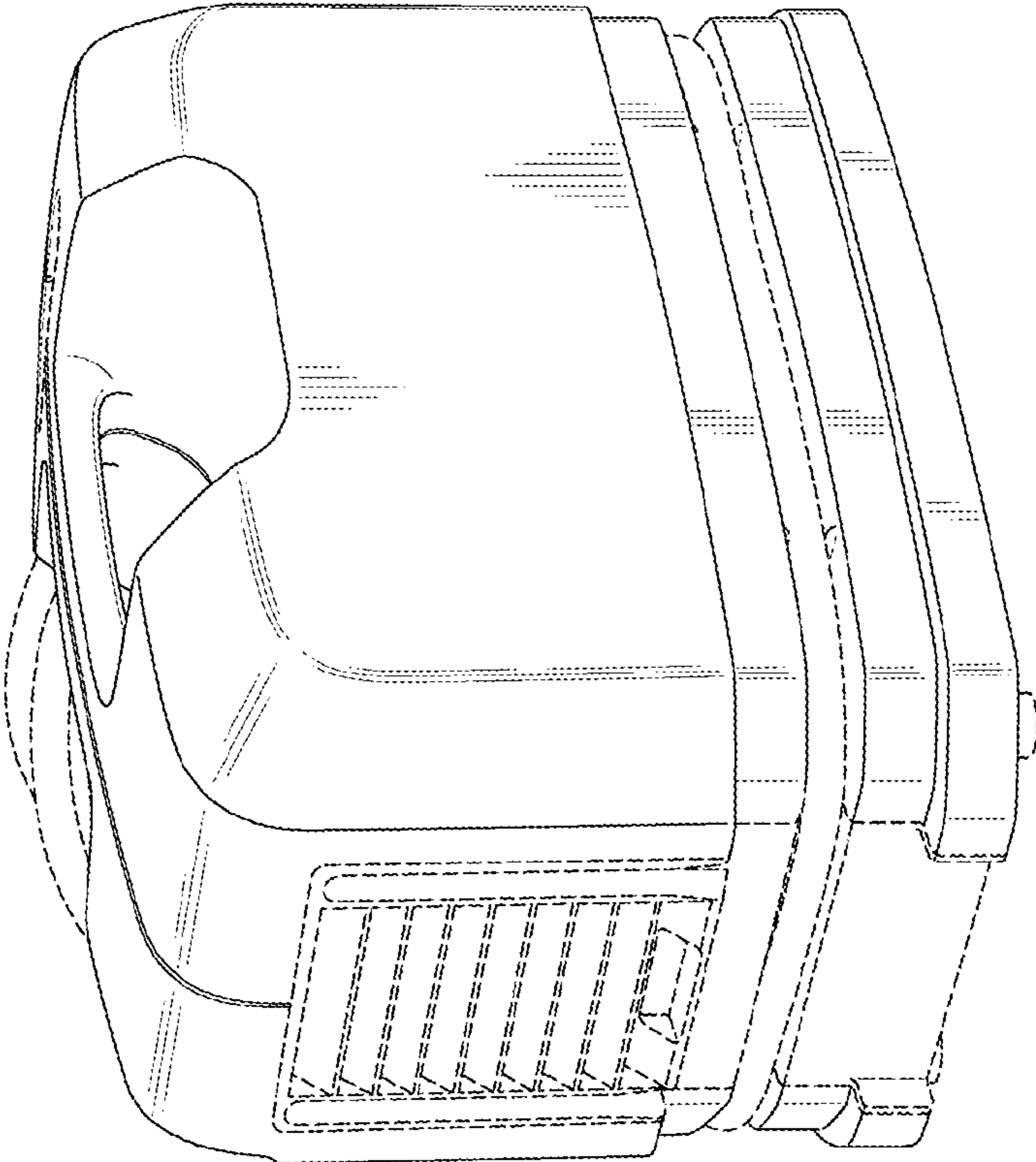


FIG. 12

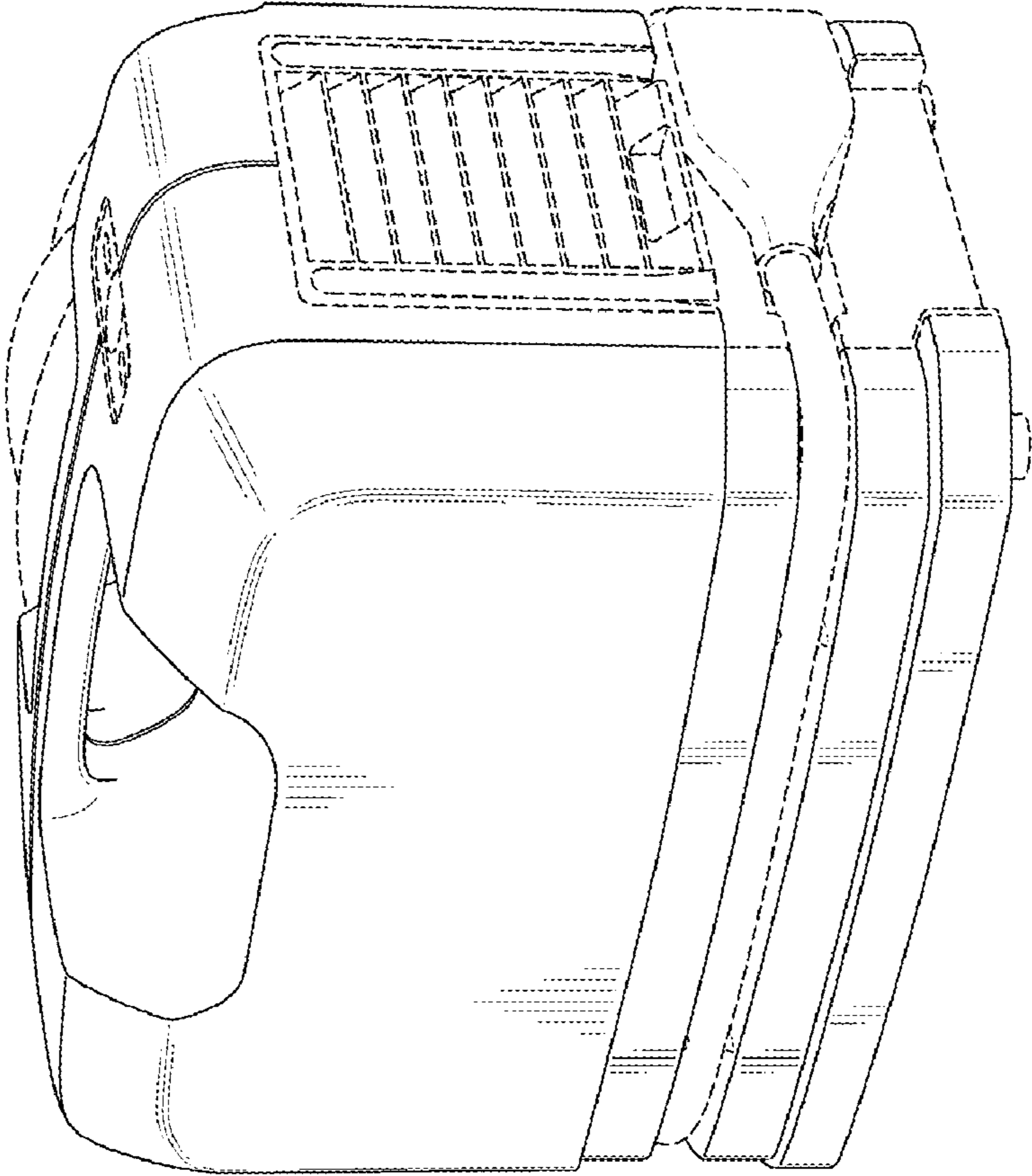


FIG. 13

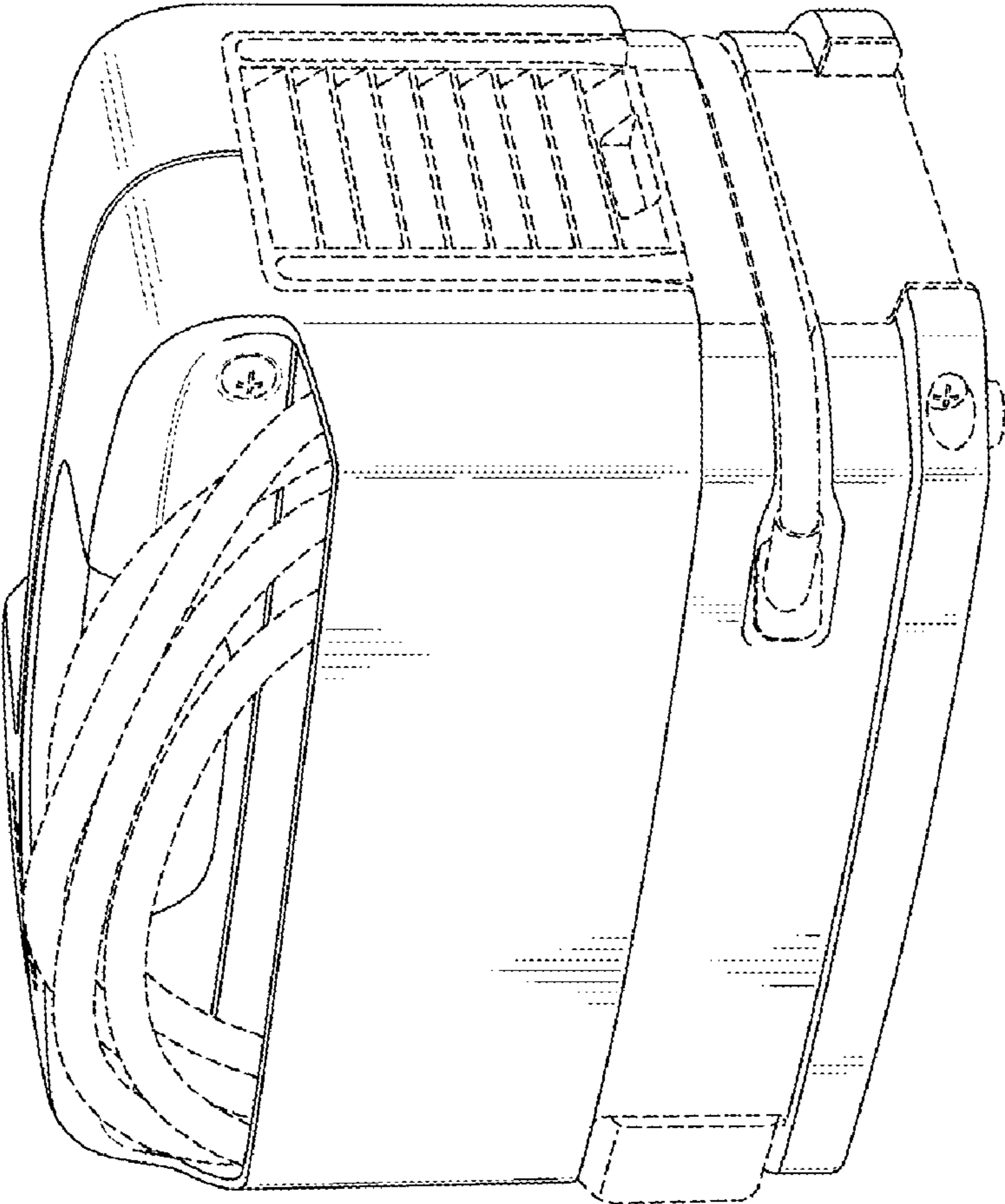


FIG. 14

