



US00D634705S

(12) **United States Design Patent**
Yip et al.

(10) **Patent No.:** **US D634,705 S**
(45) **Date of Patent:** **** Mar. 22, 2011**

(54) **BATTERY COMPARTMENT AND SUPPORT FOR A MAGNIFIER**

D538,226 S * 3/2007 Lyman et al. D13/119
D584,683 S * 1/2009 Preliasco et al. D13/103
D601,494 S * 10/2009 Otani et al. D13/103
D608,276 S * 1/2010 Takeshita et al. D13/103

(75) Inventors: **Gin Fai Yip**, North Point (HK); **Bryan Yip**, Kowloon (HK)

* cited by examiner

(73) Assignee: **Carson Optical, Inc.**, Hauppauge, NY (US)

Primary Examiner — Rosemary K Tarcza

(74) *Attorney, Agent, or Firm* — Carmody & Torrance LLP

(**) Term: **14 Years**

(57) **CLAIM**

The ornamental design for a battery compartment and support for a magnifier, as shown and described.

(21) Appl. No.: **29/368,429**

DESCRIPTION

(22) Filed: **Aug. 24, 2010**

(51) **LOC (9) Cl.** **13-02**

(52) **U.S. Cl.** **D13/103**

(58) **Field of Classification Search** D13/102–106,
D13/110, 118–121, 184, 199; 429/96–100,
429/163, 176, 187

See application file for complete search history.

FIG. 1 is a perspective view of a battery compartment and support for a magnifier showing our new design; FIG. 2 is a first end elevational view of FIG. 1; FIG. 3 is a right side elevational view of FIG. 1; FIG. 4 is a left side elevational view of FIG. 1; FIG. 5 is a top plan view of FIG. 1; FIG. 6 is a bottom plan view of FIG. 1; and, FIG. 7 is a second end elevational view of FIG. 1.

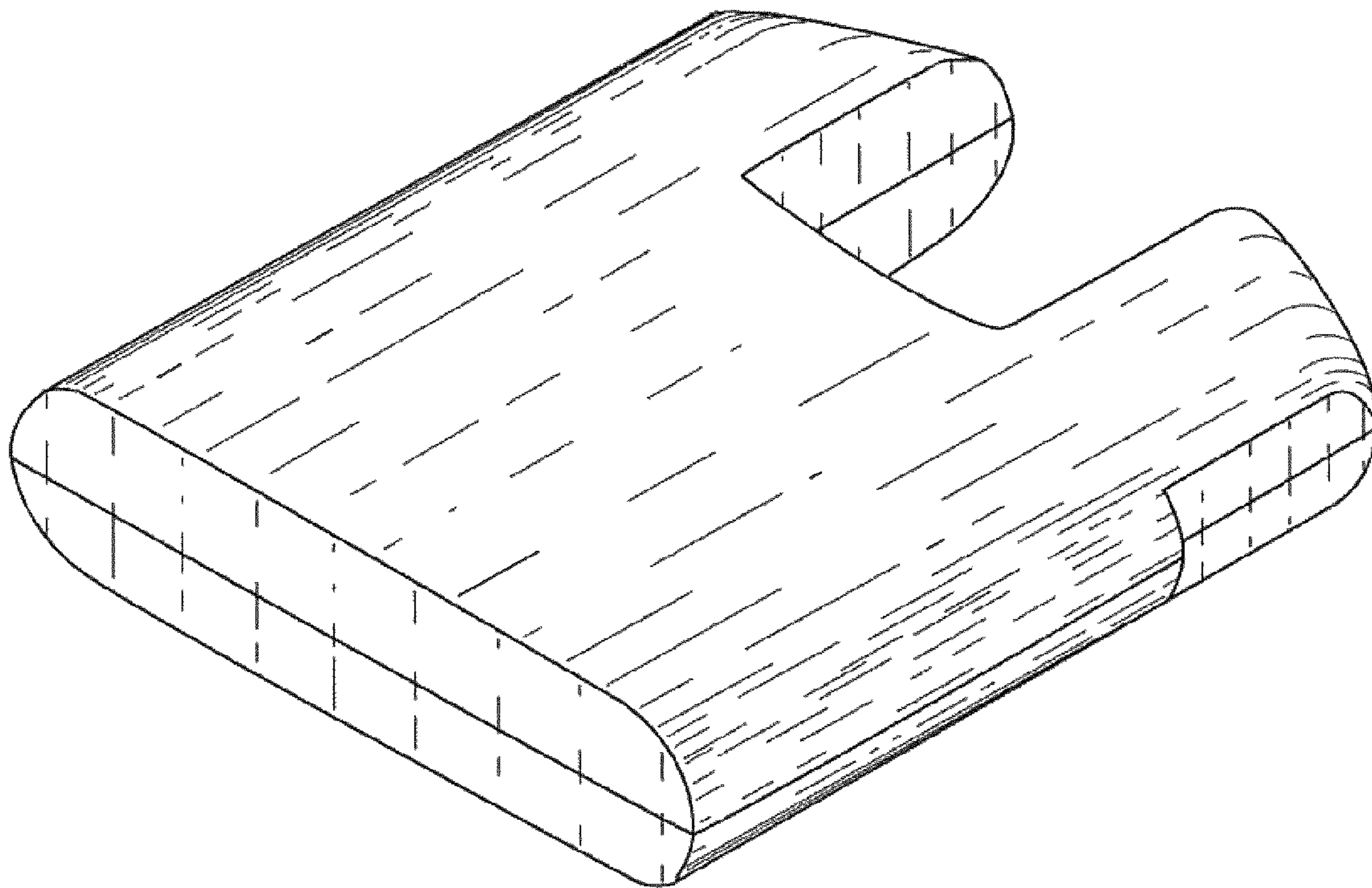
There is no intent to claim any surface indicia as all such surface lines are merely intended to be shading lines.

(56) **References Cited**

U.S. PATENT DOCUMENTS

D368,316 S * 3/1996 Jansson D26/39
D470,826 S * 2/2003 Bergmann D13/184

1 Claim, 7 Drawing Sheets



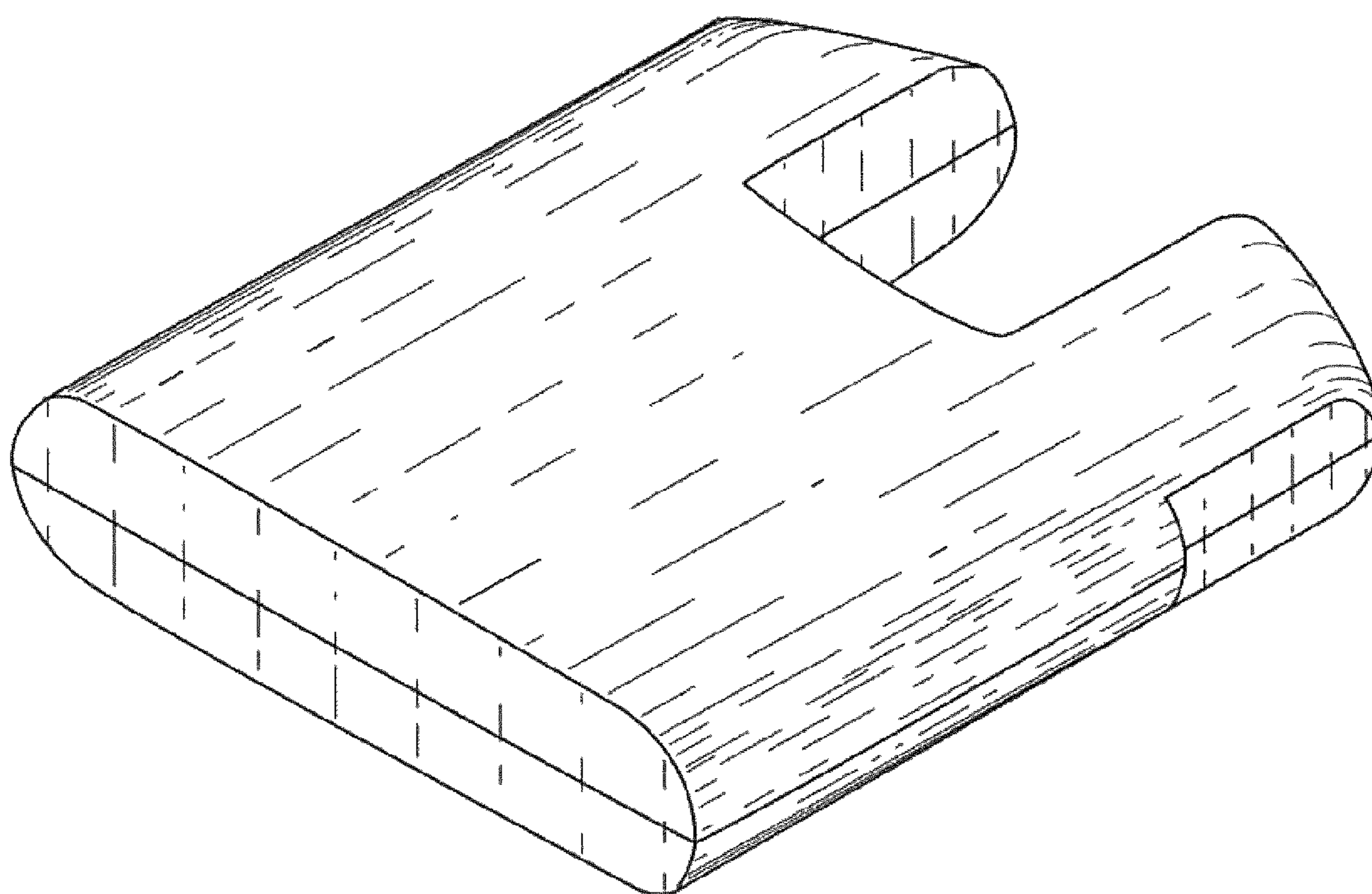


FIG. 1

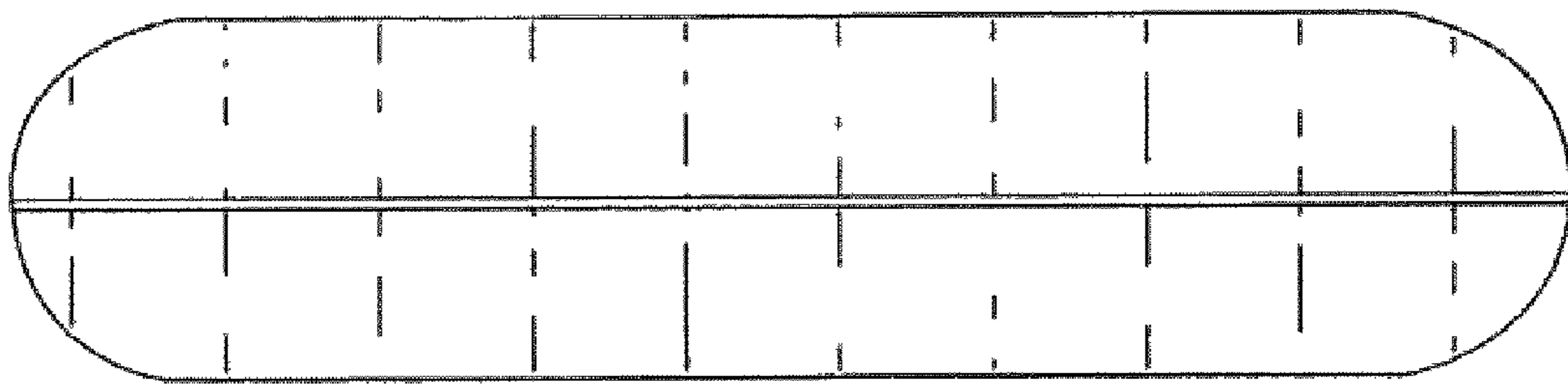


FIG. 2

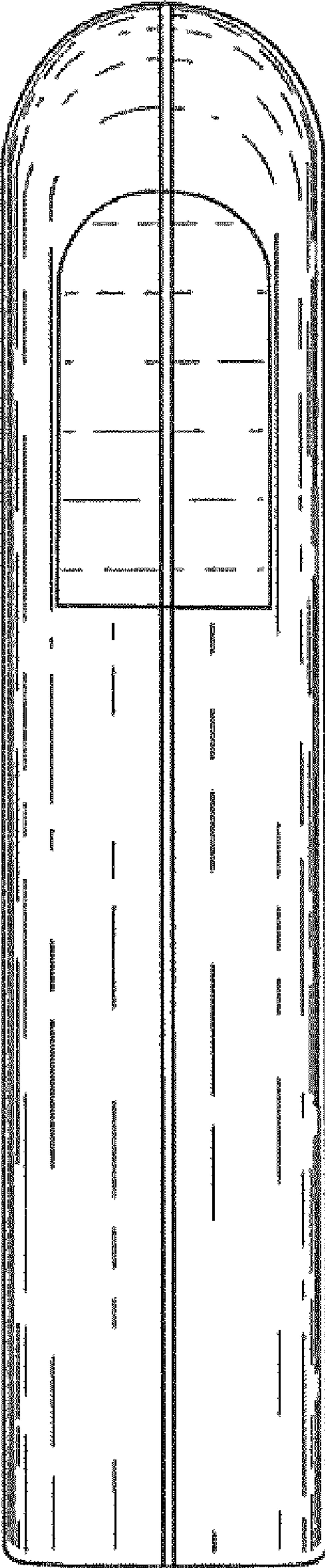


FIG. 3

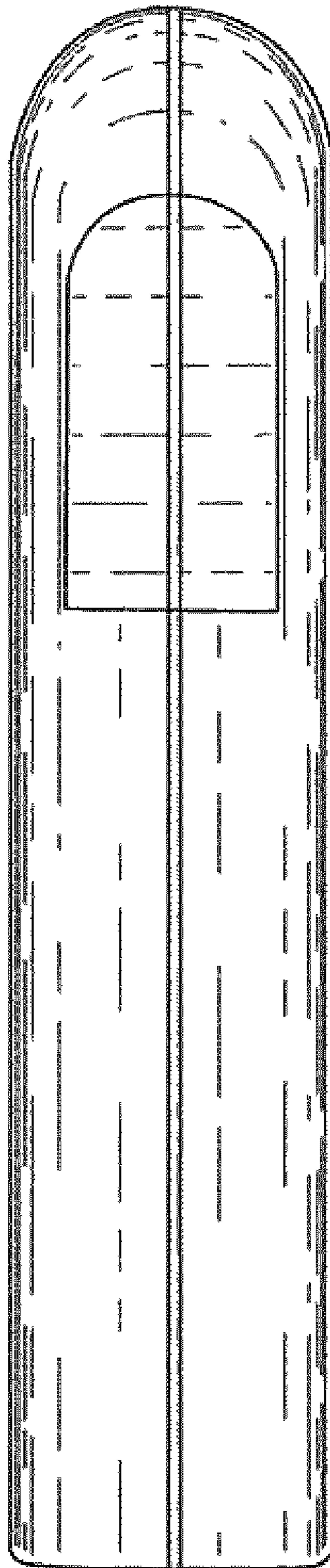


FIG. 4

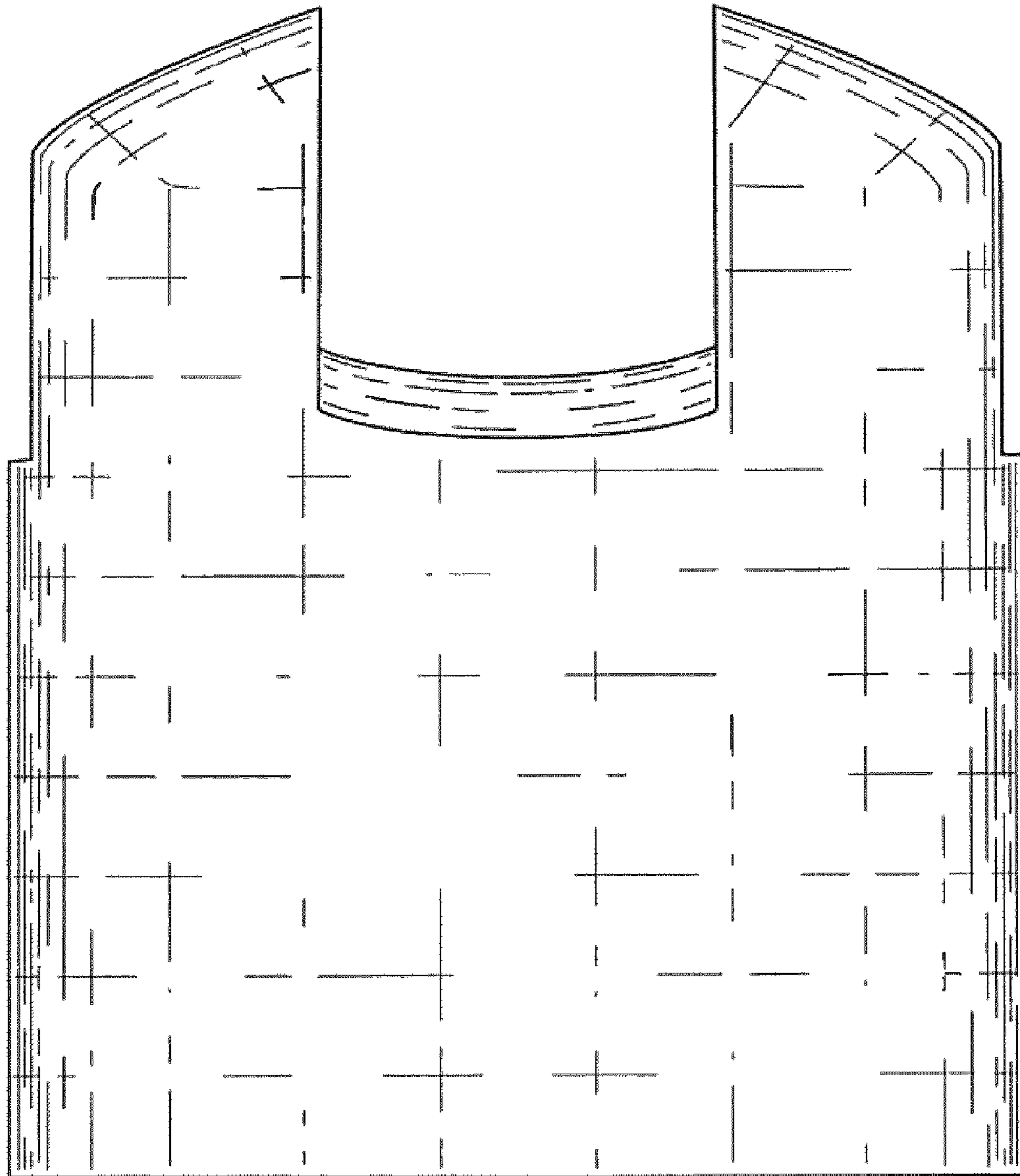


FIG. 5

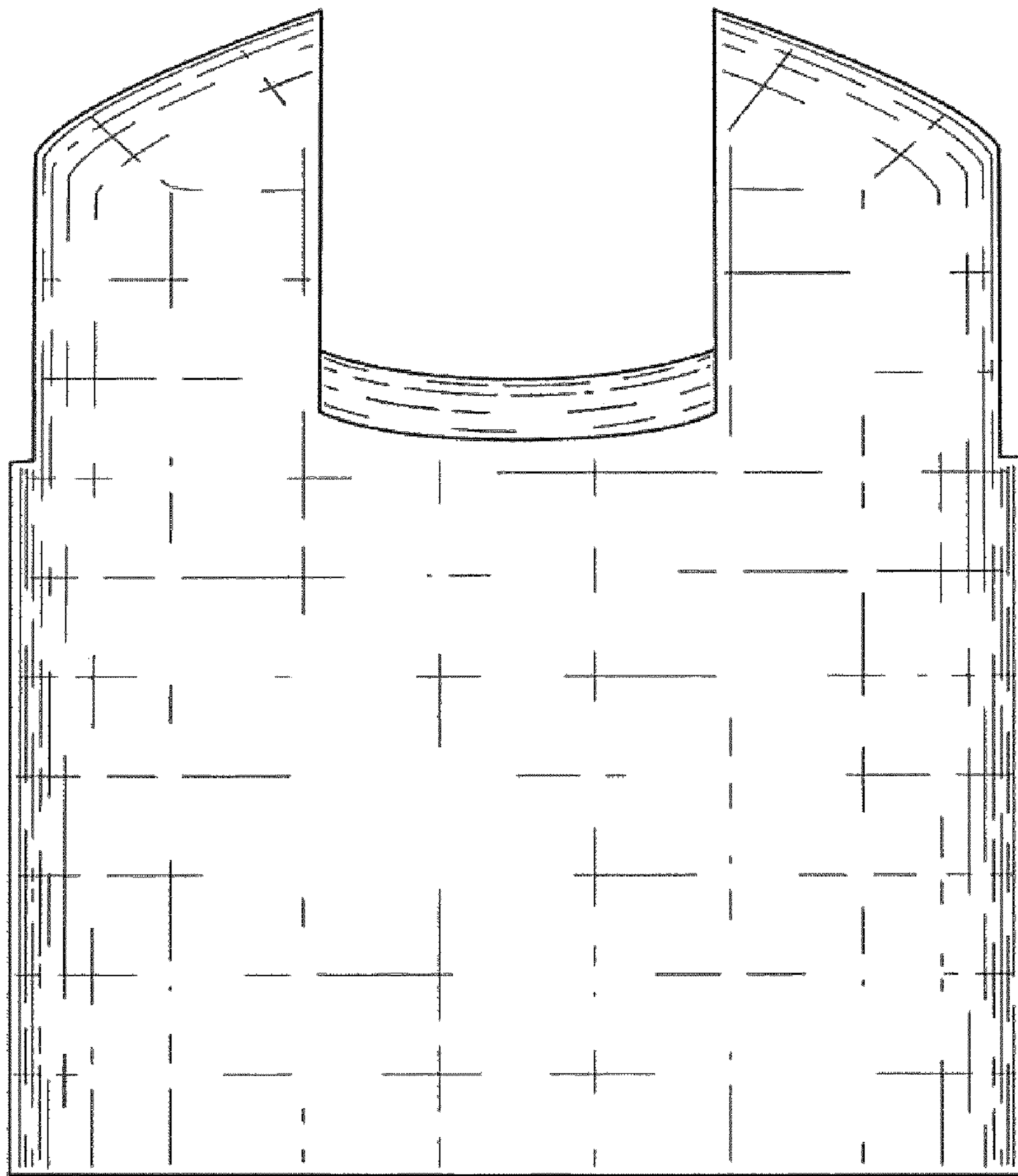


FIG. 6

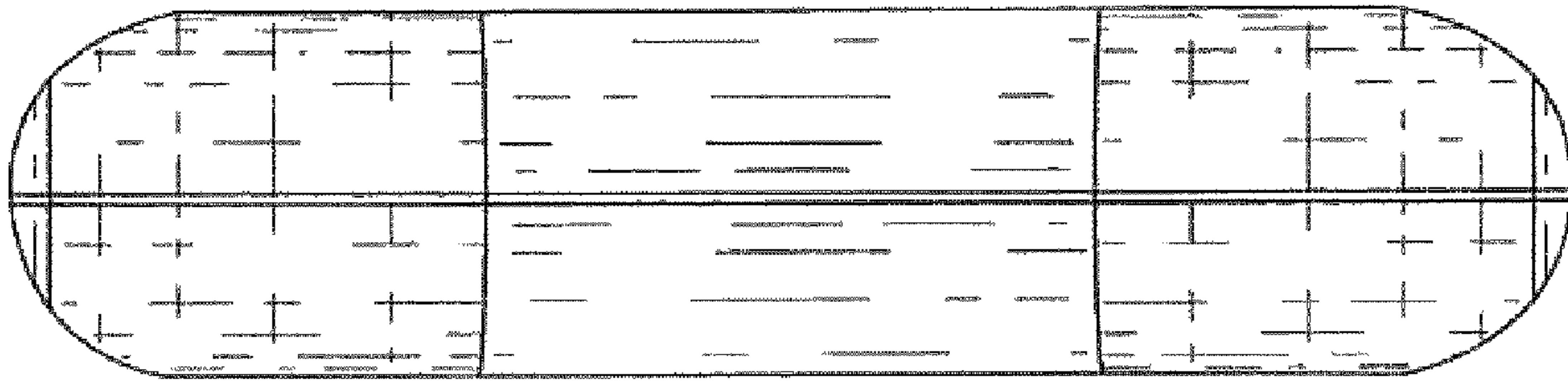


FIG. 7