

US00D634704S

(12) **United States Design Patent**
Tieleman et al.

(10) **Patent No.:** **US D634,704 S**
(45) **Date of Patent:** **** Mar. 22, 2011**

(54) **SOLAR CHARGER**

(75) Inventors: **Henri-James Tieleman**, Miami, FL
(US); **Wayne Ferreira**, Lafayette, CA
(US)

(73) Assignee: **EcoloBlue, Inc**, Miami, FL (US)

(**) Term: **14 Years**

(21) Appl. No.: **29/376,344**

(22) Filed: **Oct. 5, 2010**

(51) **LOC (9) Cl.** **13-02**

(52) **U.S. Cl.** **D13/102**

(58) **Field of Classification Search** D13/102,
D13/101, 103, 107, 108, 110, 199; 126/569;
136/206, 243, 245, 251, 252; 320/101; 323/906
See application file for complete search history.

(56) **References Cited**

U.S. PATENT DOCUMENTS

4,786,851	A *	11/1988	Fuji et al.	320/101
5,701,067	A *	12/1997	Kaji et al.	320/101
D391,921	S *	3/1998	Zimmer et al.	D13/102
D395,279	S *	6/1998	Peress et al.	D13/107
6,084,379	A *	7/2000	Buniatyan	320/101
D465,451	S *	11/2002	Hirano et al.	D13/107
6,650,085	B2 *	11/2003	Lau et al.	320/101

D483,725	S *	12/2003	Thompson et al.	D13/184
D489,680	S *	5/2004	Stobart	D13/107
D490,051	S *	5/2004	Kikumoto	D13/102
D503,679	S *	4/2005	Andre et al.	D13/110
D535,613	S *	1/2007	Varalo et al.	D13/108
D570,772	S *	6/2008	Mahaffey et al.	D13/110
D596,700	S	7/2009	Ferreira et al.		
D596,701	S	7/2009	Ferreira et al.		
D601,955	S	10/2009	Ekmekdje		

* cited by examiner

Primary Examiner — Stella M. Reid

Assistant Examiner — Derrick Holland

(74) *Attorney, Agent, or Firm* — Oppedahl Patent Law Firm LLC

(57) **CLAIM**

We claim the ornamental design for the solar charger, as shown and described.

DESCRIPTION

FIG. 1 is a top plan view of our design for a solar charger.

FIG. 2 is a left side elevation view of FIG. 1.

FIG. 3 is a right side elevation view of FIG. 1.

FIG. 4 is a front elevation view of FIG. 1.

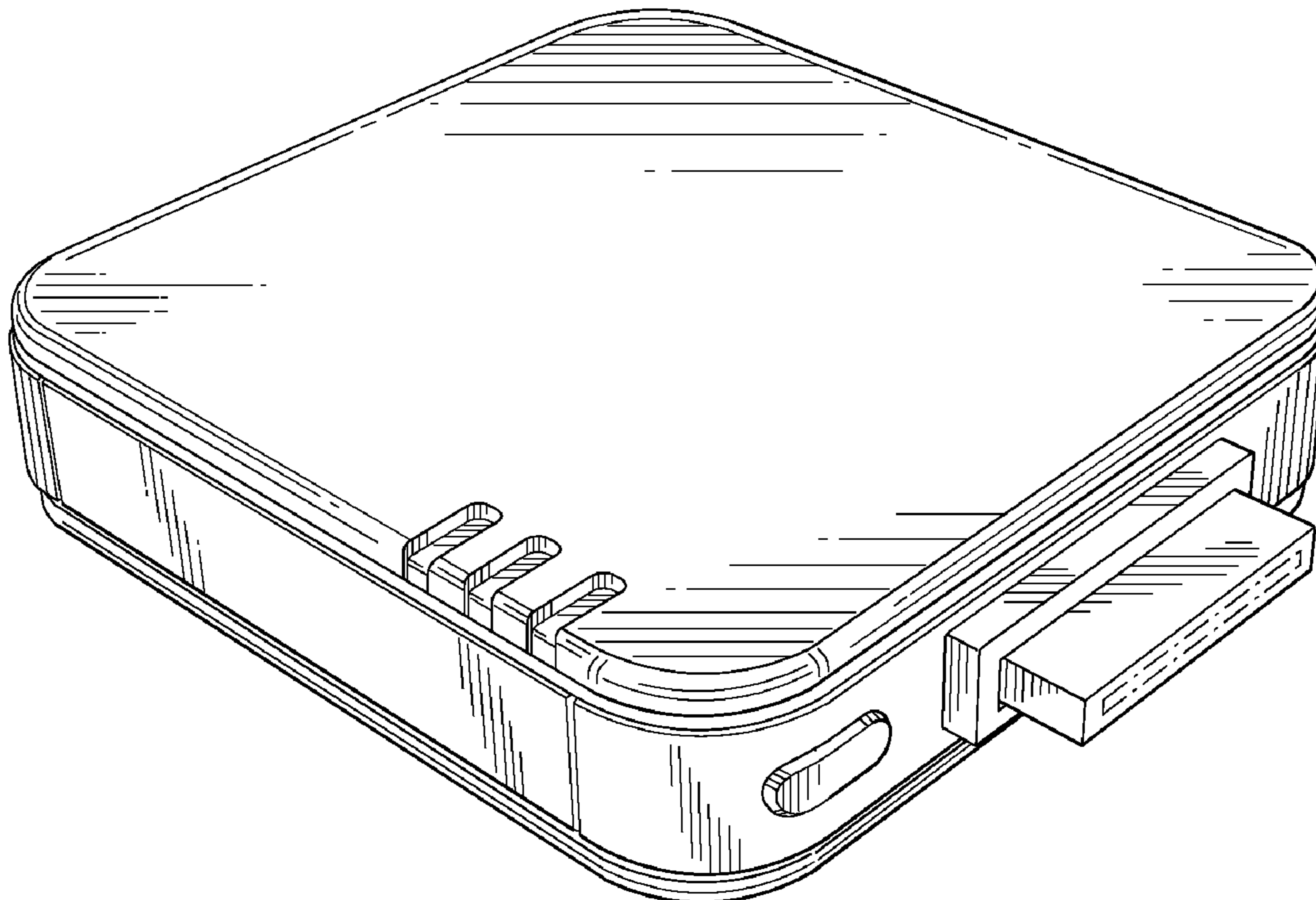
FIG. 5 is a back elevation view of FIG. 1.

FIG. 6 is a bottom plan view of FIG. 1; and,

FIG. 7 is a top perspective view of FIG. 1.

The broken lines shown represent unclaimed subject matter and form no part of the claimed design.

1 Claim, 2 Drawing Sheets



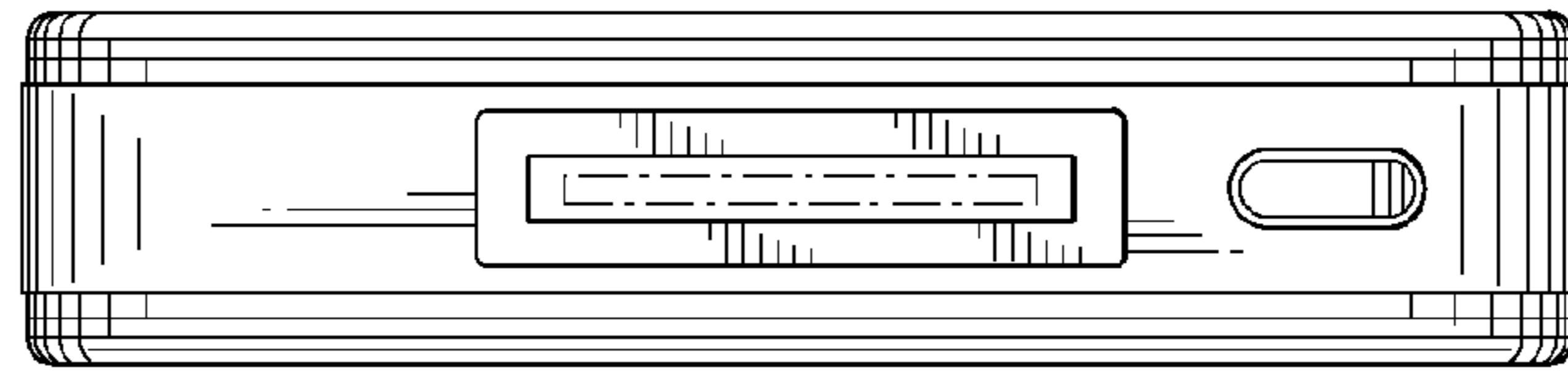


FIG. 4

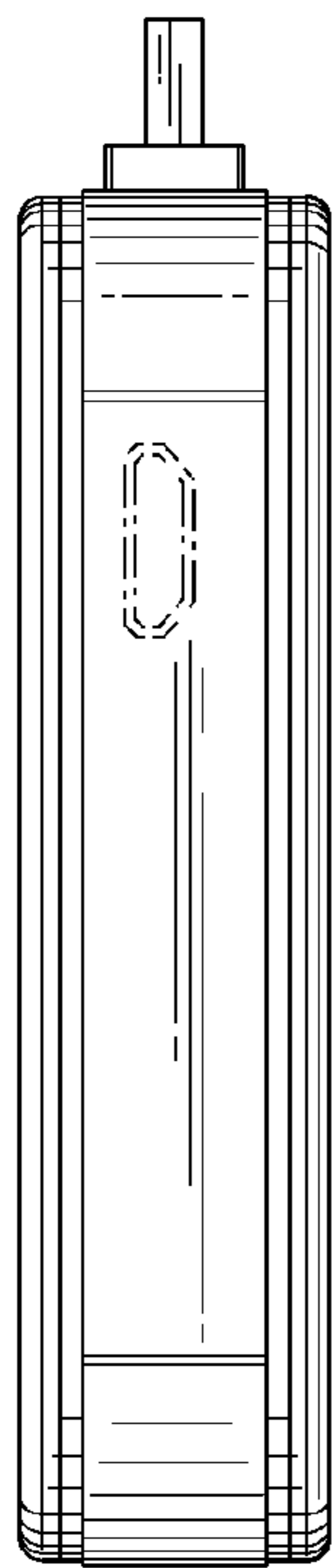


FIG. 2

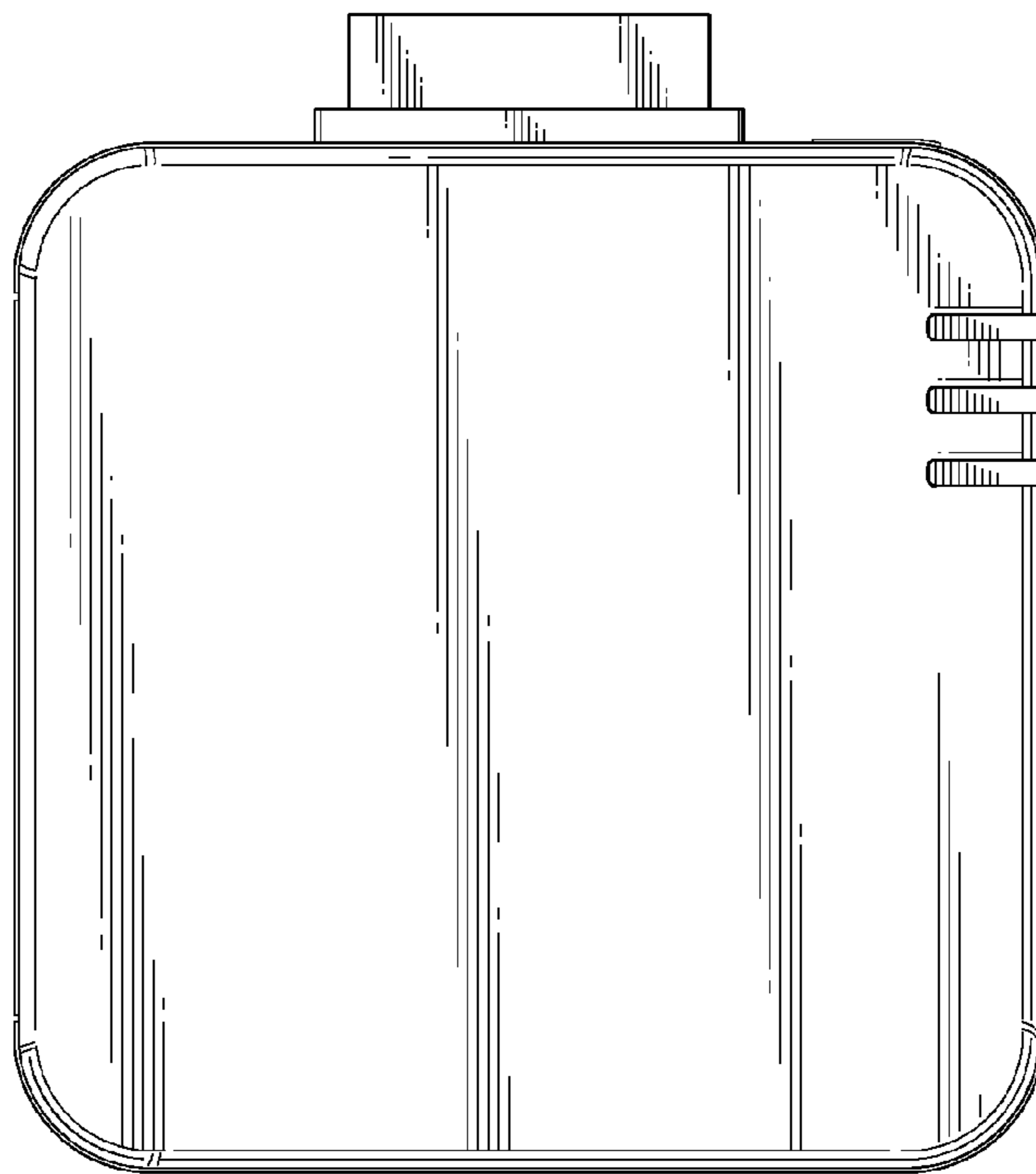


FIG. 1

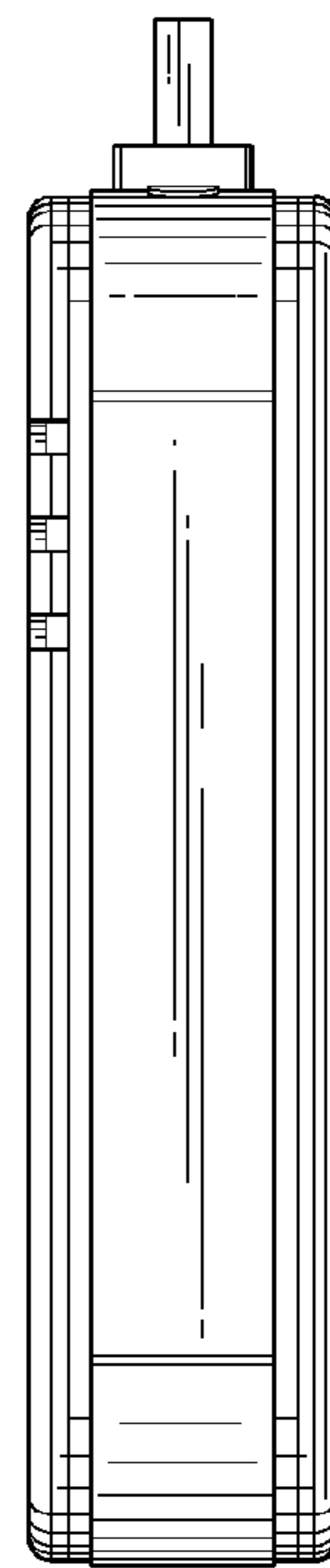


FIG. 3

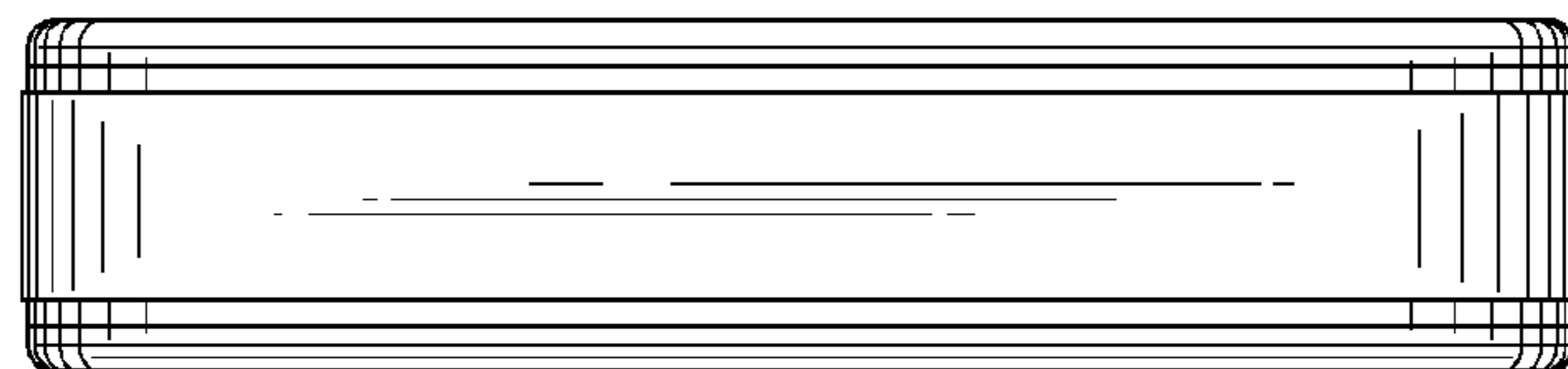


FIG. 5

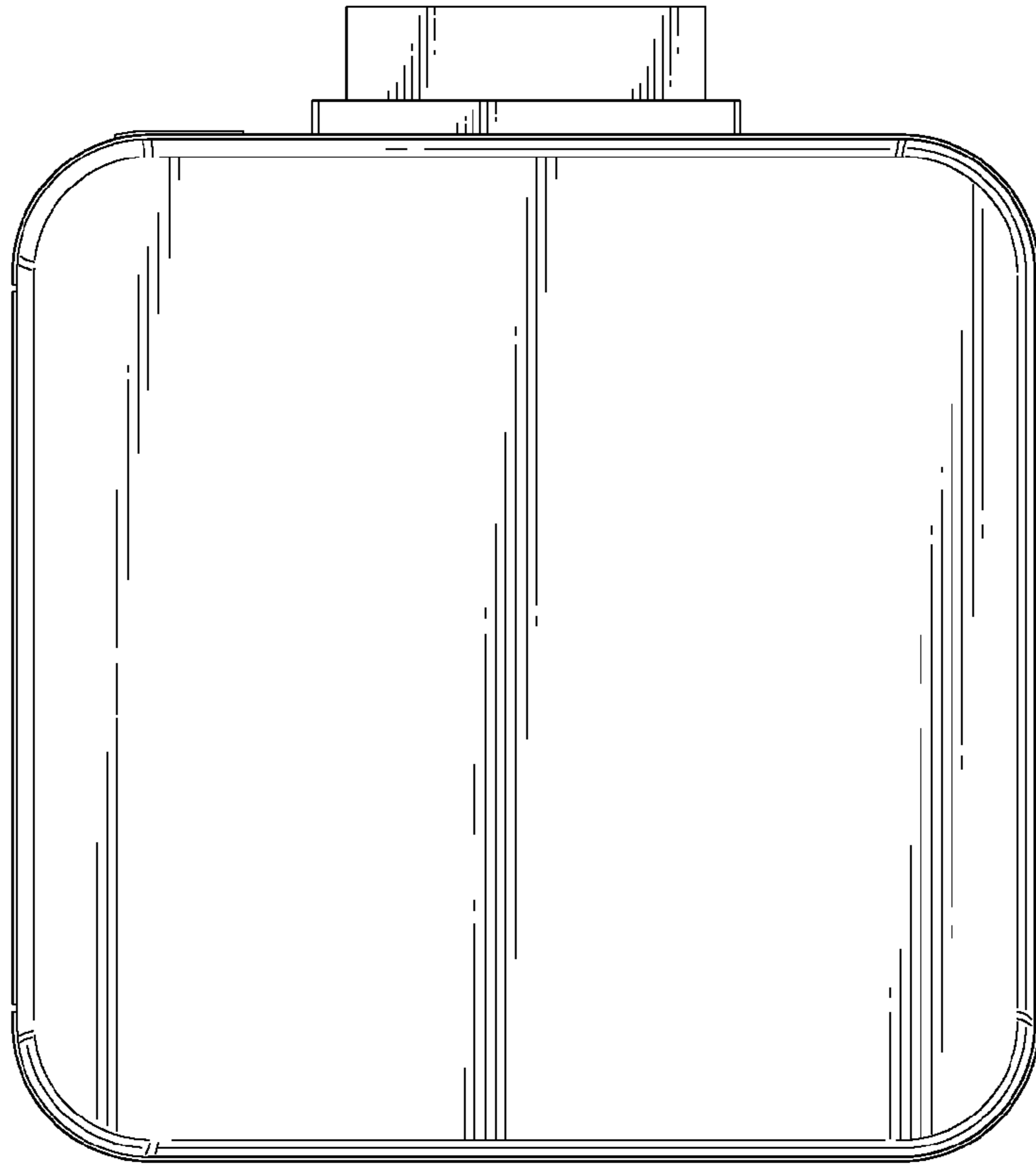


FIG. 6

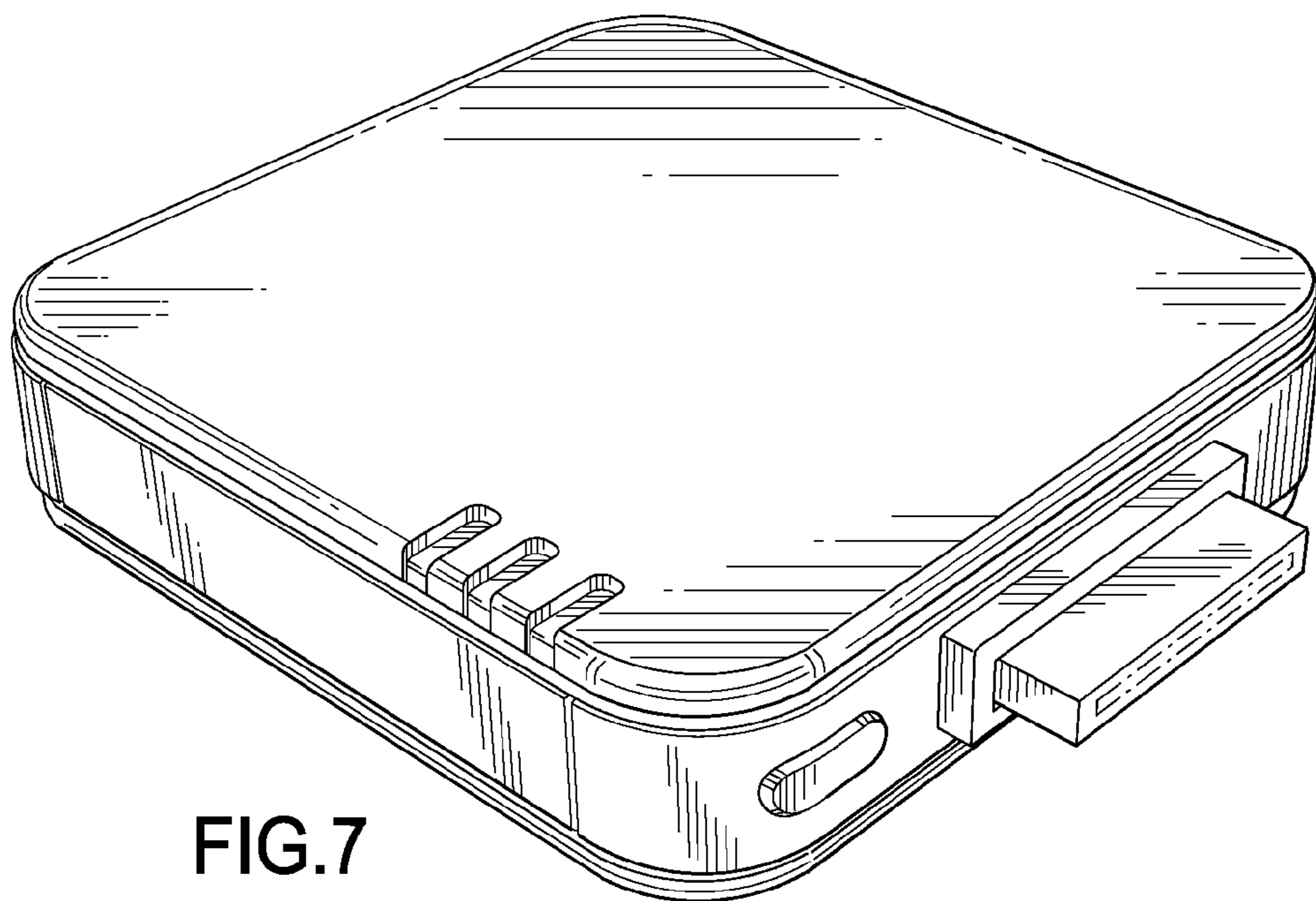


FIG. 7