



US00D634699S

(12) **United States Design Patent**  
**Fontaine et al.**

(10) **Patent No.:** **US D634,699 S**

(45) **Date of Patent:** **\*\* Mar. 22, 2011**

(54) **TIRE**

(75) Inventors: **Sebastien Willy Fontaine**, Oberfeulen (LU); **Maurice Graas**, Reichlange (LU); **Roel Creton**, Folschette (LU); **Francois Marie Baumard**, Luxembourg (LU)

(73) Assignee: **The Goodyear Tire & Rubber Company**, Akron, OH (US)

(\*\*) Term: **14 Years**

(21) Appl. No.: **29/332,889**

(22) Filed: **Feb. 27, 2009**

(51) **LOC (9) Cl.** ..... **12-15**

(52) **U.S. Cl.** ..... **D12/517**

(58) **Field of Classification Search** ..... D12/505-532;  
152/209.1, 209.8-209.19, 209.25-209.28

See application file for complete search history.

(56) **References Cited**

**U.S. PATENT DOCUMENTS**

D334,360 S	3/1993	Graas et al. ....	D12/146
D396,676 S	8/1998	Croyle .....	D12/147
D423,422 S	4/2000	Soloover et al. ....	D12/146
D451,440 S	12/2001	Weber .....	D12/146
D451,441 S	12/2001	Weber .....	D12/146
D453,729 S	2/2002	Demagall et al. ....	D12/523
D464,020 S	10/2002	Dahlberg et al. ....	D12/518
D470,101 S	2/2003	Heinen .....	D12/584
D482,323 S	11/2003	Corbin et al. ....	D12/584
D490,045 S	5/2004	Delu et al. ....	D12/519
D545,756 S *	7/2007	Feider et al. ....	D12/521
D558,126 S	12/2007	Shavers et al. ....	D12/519
D559,767 S	1/2008	Graas et al. ....	D12/521
D581,347 S *	11/2008	Feider et al. ....	D12/523

D586,726 S *	2/2009	Baumard et al. ....	D12/521
D599,276 S *	9/2009	Fontaine et al. ....	D12/519
D601,939 S *	10/2009	Fontaine et al. ....	D12/519
D609,161 S *	2/2010	Fontaine et al. ....	D12/517

\* cited by examiner

*Primary Examiner* — Caron Veynar

*Assistant Examiner* — George Kirschbaum

(74) *Attorney, Agent, or Firm* — Richard B. O'Planick

(57) **CLAIM**

The ornamental design for a tire, as shown and described.

**DESCRIPTION**

FIG. 1 is a perspective view of a tire showing our new design, it being understood that the pattern repeats uniformly throughout the circumference of the tread;

FIG. 2 is a front elevational view thereof;

FIG. 3 is a right side elevational view thereof;

FIG. 4 is a left side elevational view thereof;

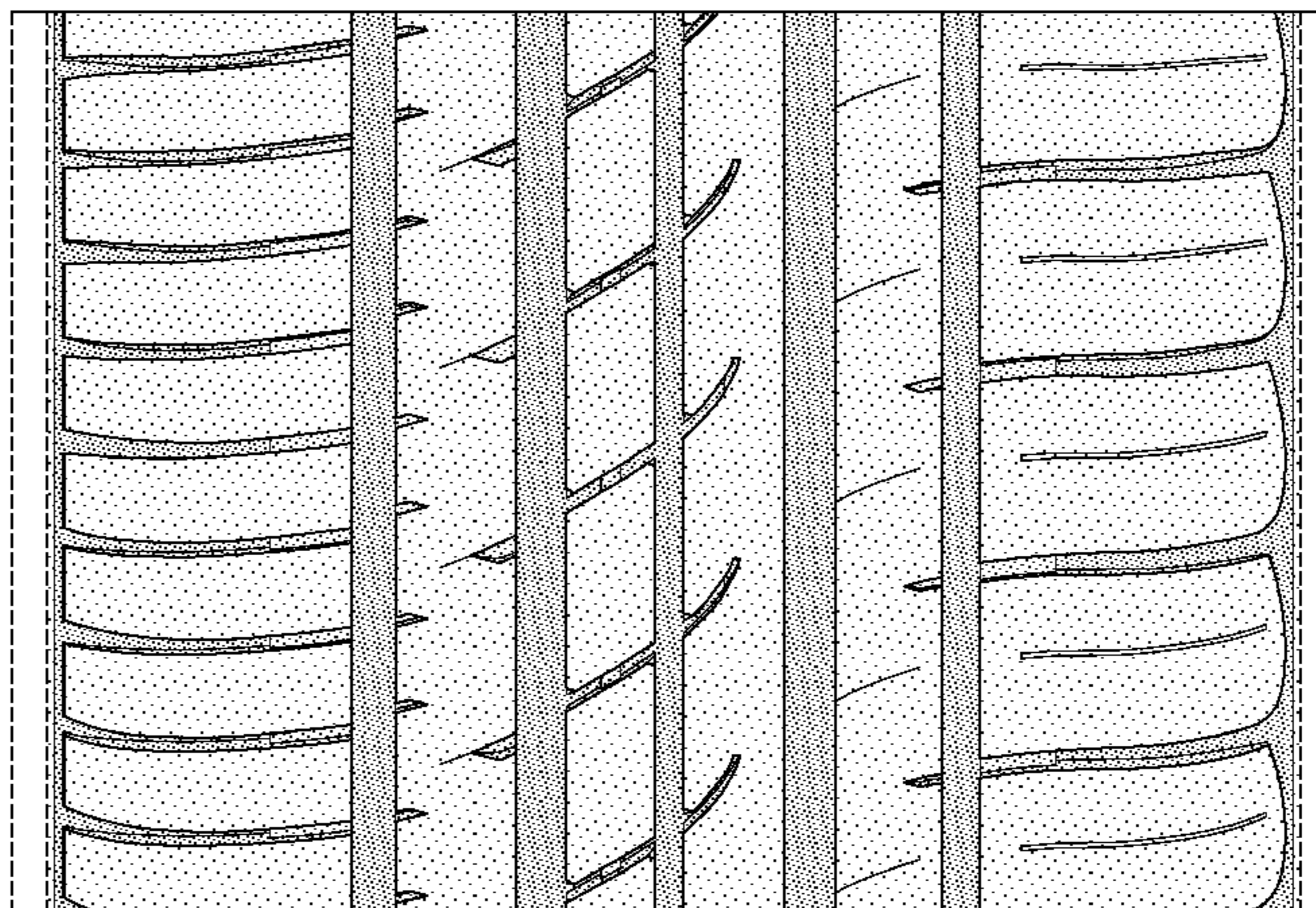
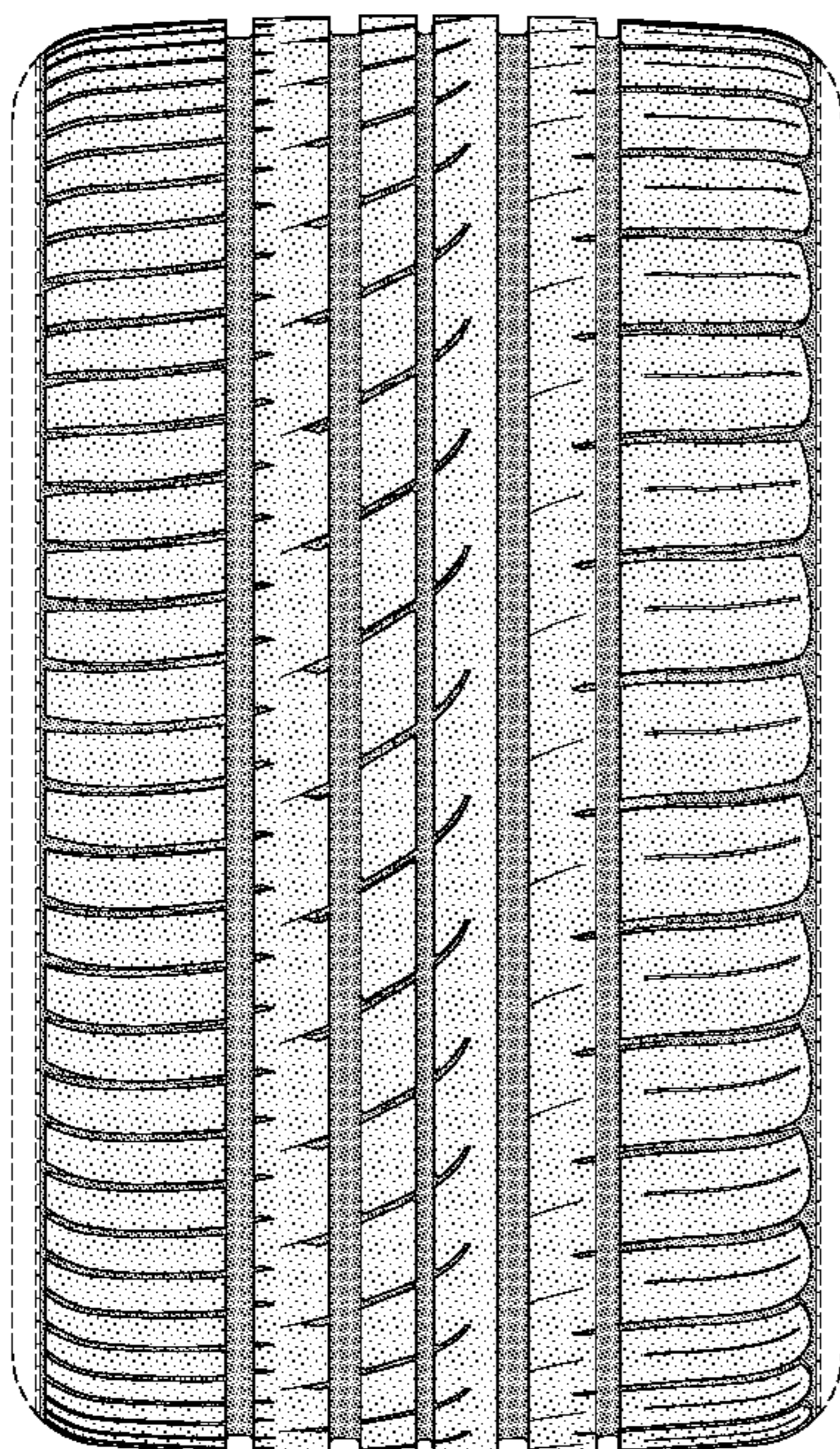
FIG. 5 is an enlarged fragmentary front elevational view thereof;

FIG. 6 is a perspective view of a second embodiment of a tire showing our new design, it being understood that the pattern repeats uniformly throughout the circumference of the tread; and,

FIG. 7 is a front elevational view of a second embodiment, it being understood that an enlarged fragmentary view thereof would be substantially identical to that shown in FIG. 5, with the exception of the inclusion of the sidewall in solid lines.

In the drawings, the broken lines showing of the sidewall, inner bead and the peripheral boundary between the tire tread and the sidewall in FIGS. 1 through 5 depict environmental subject matter and form no part of the claimed design.

**1 Claim, 7 Drawing Sheets**





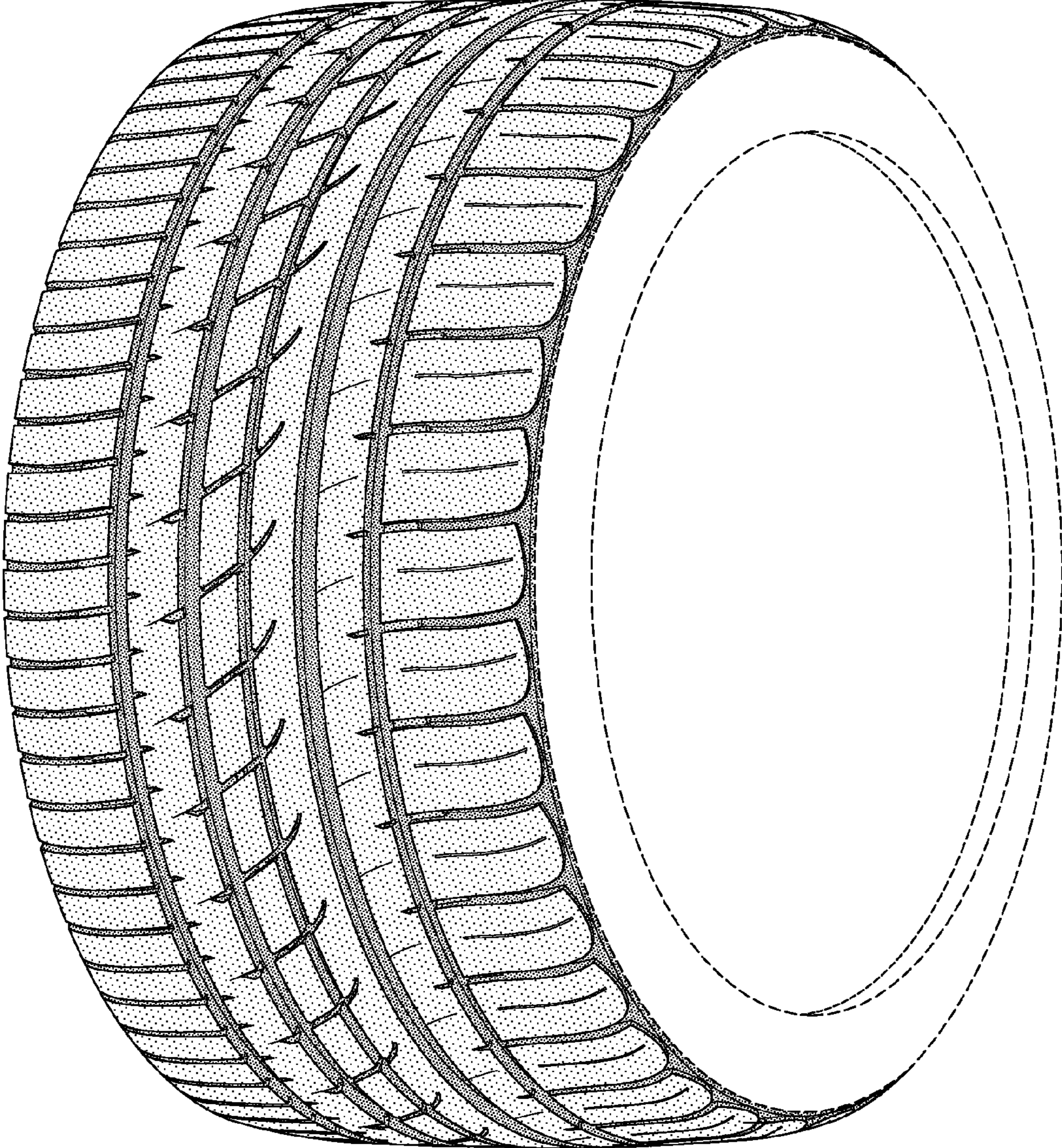


FIG-1



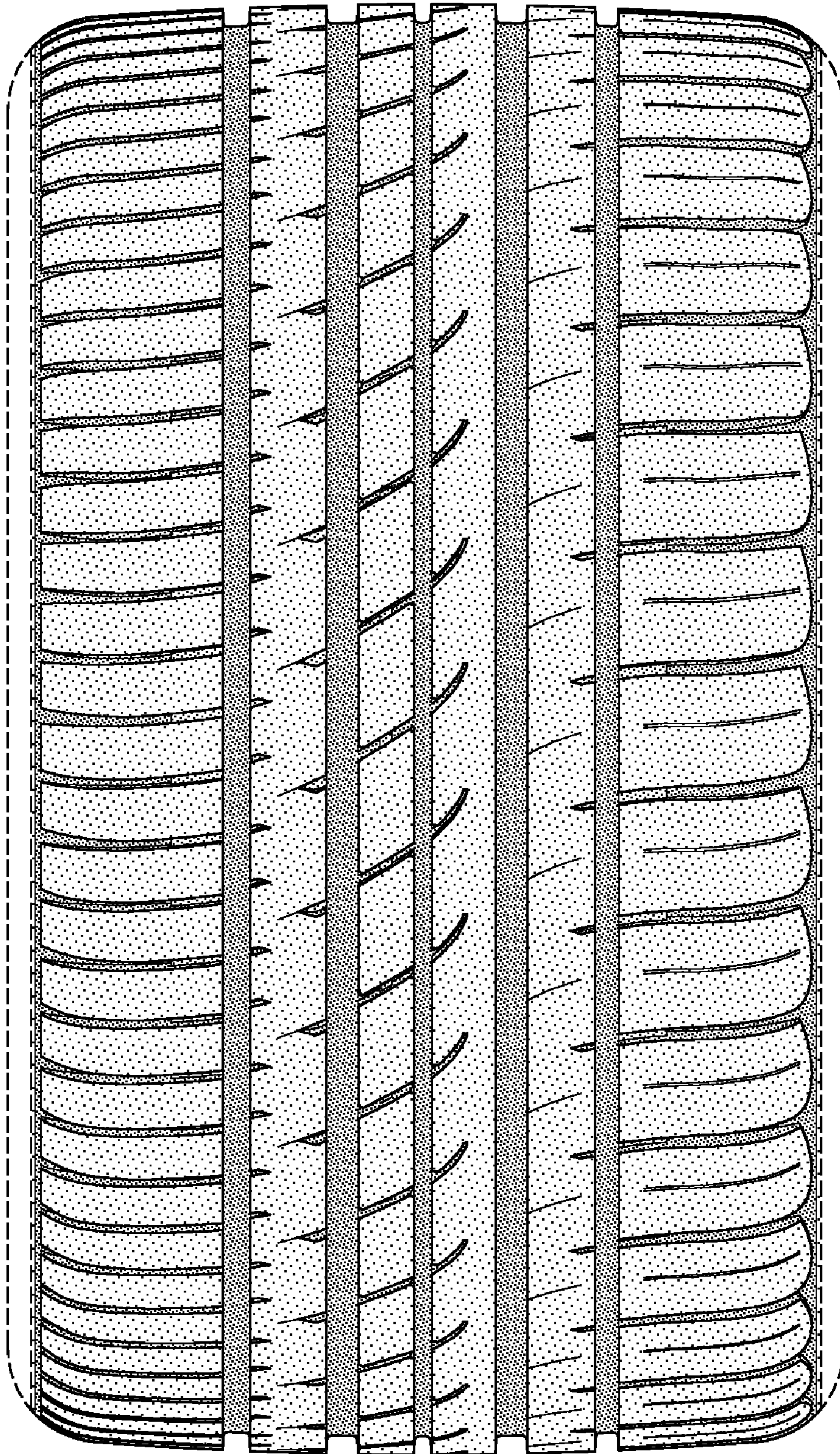


FIG-2

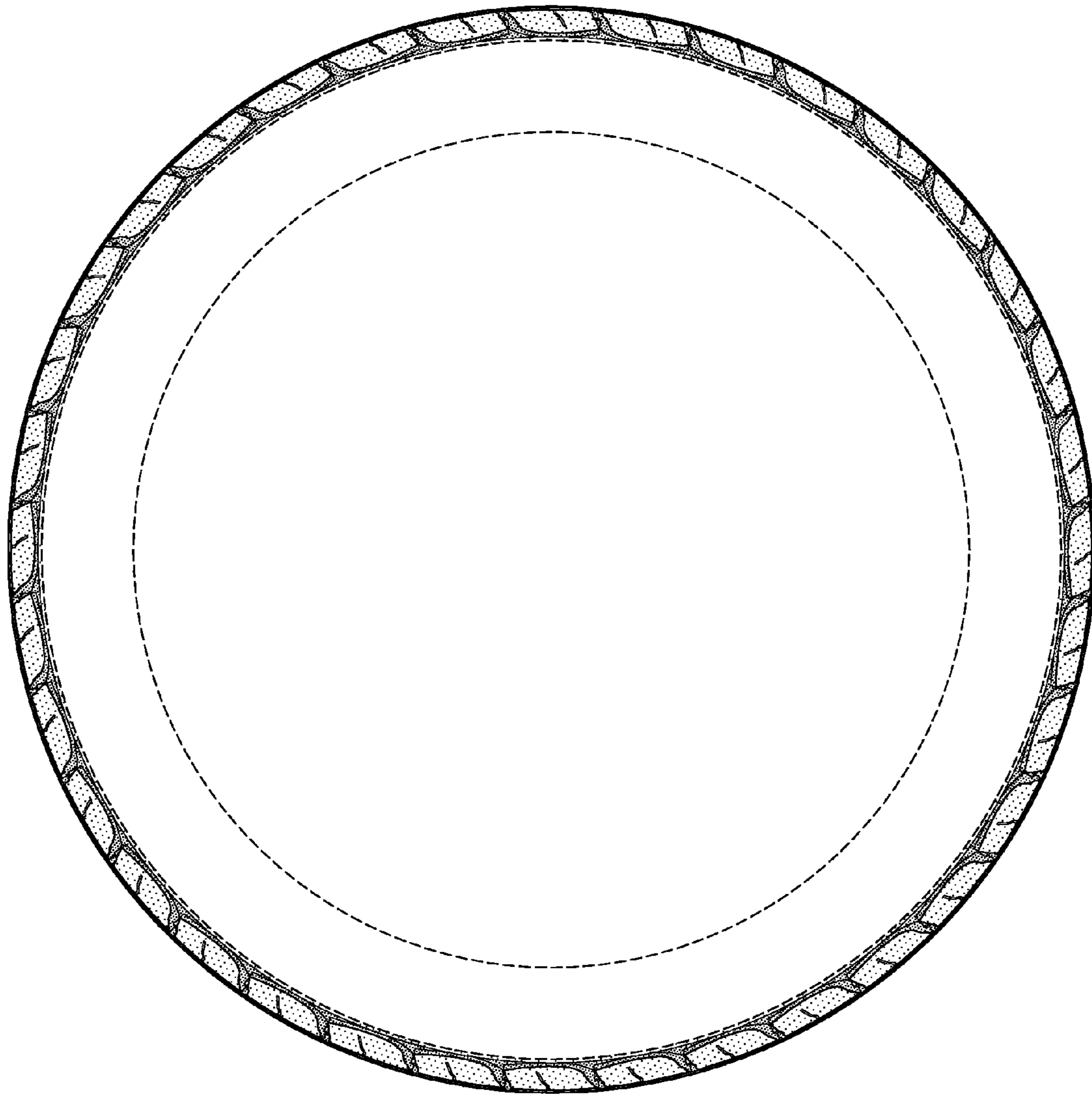


FIG-3

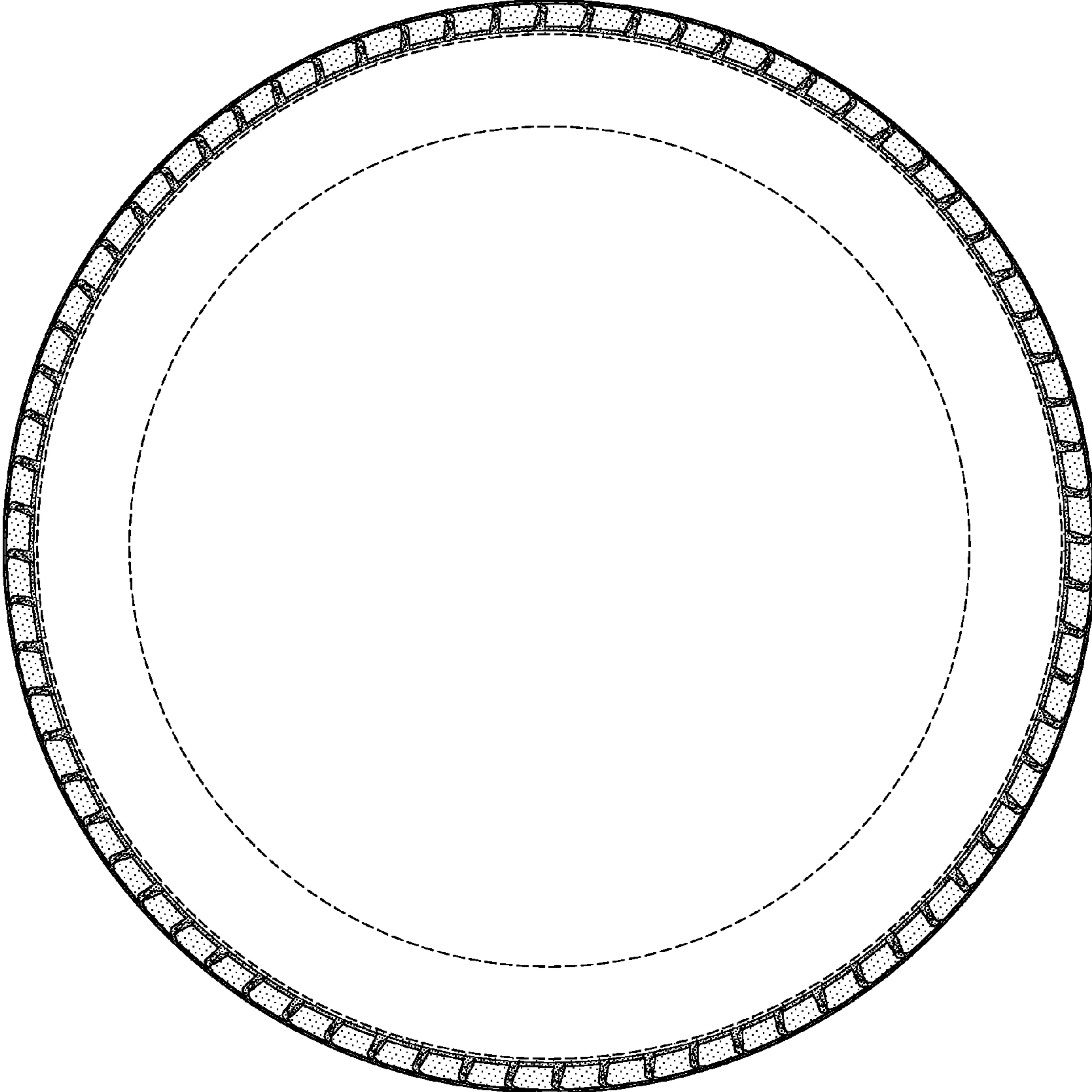


FIG-4



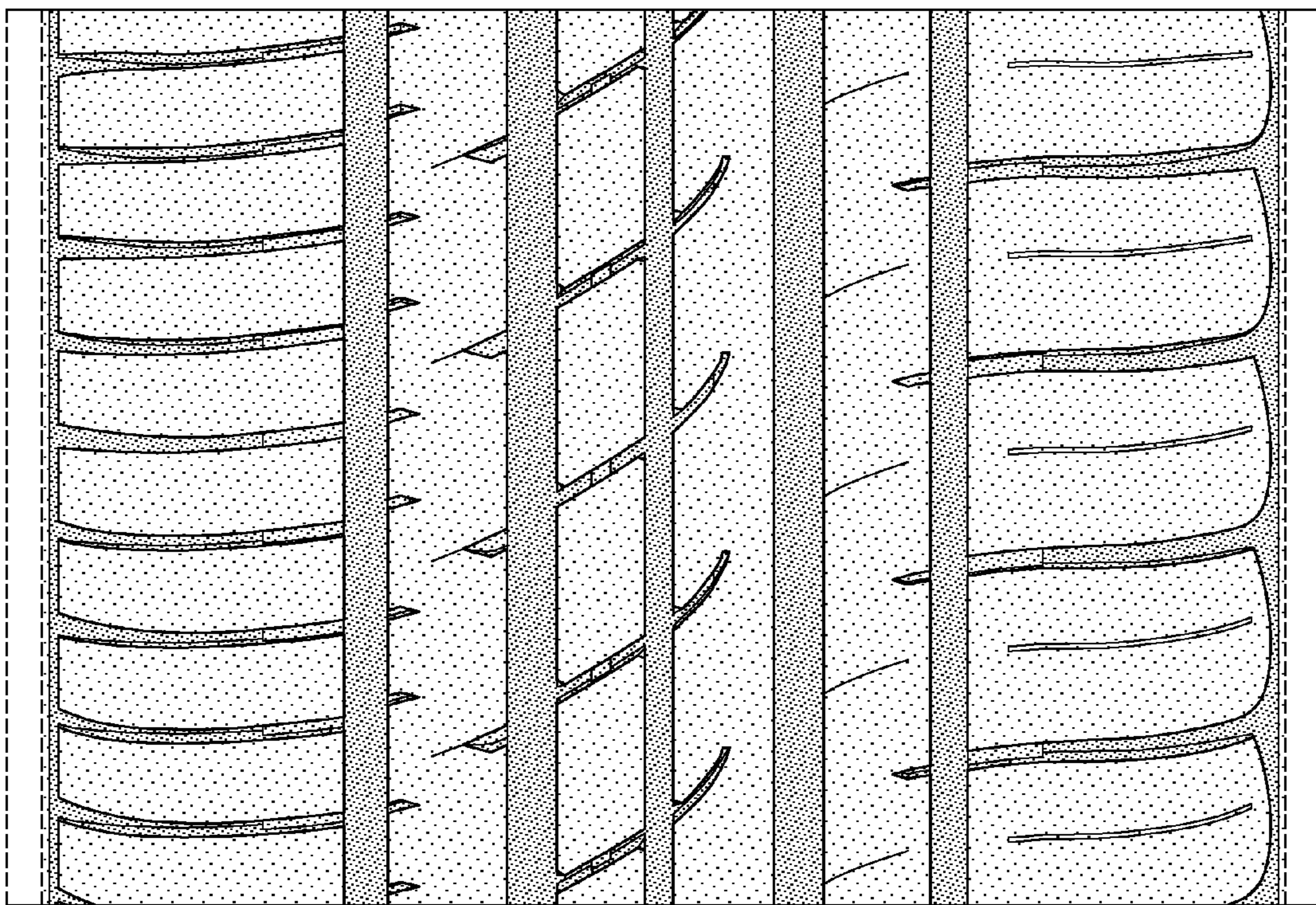


FIG-5

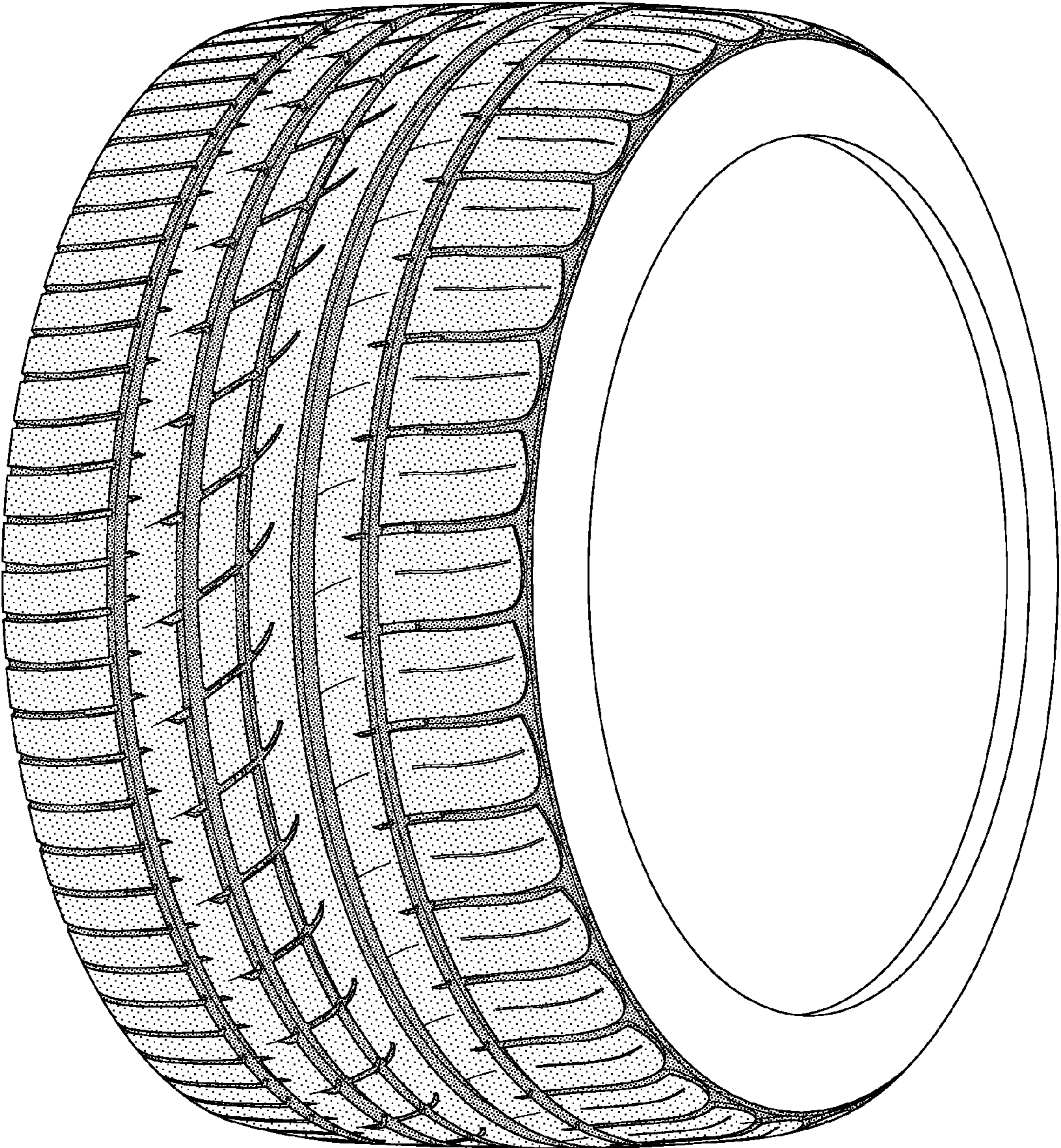


FIG-6



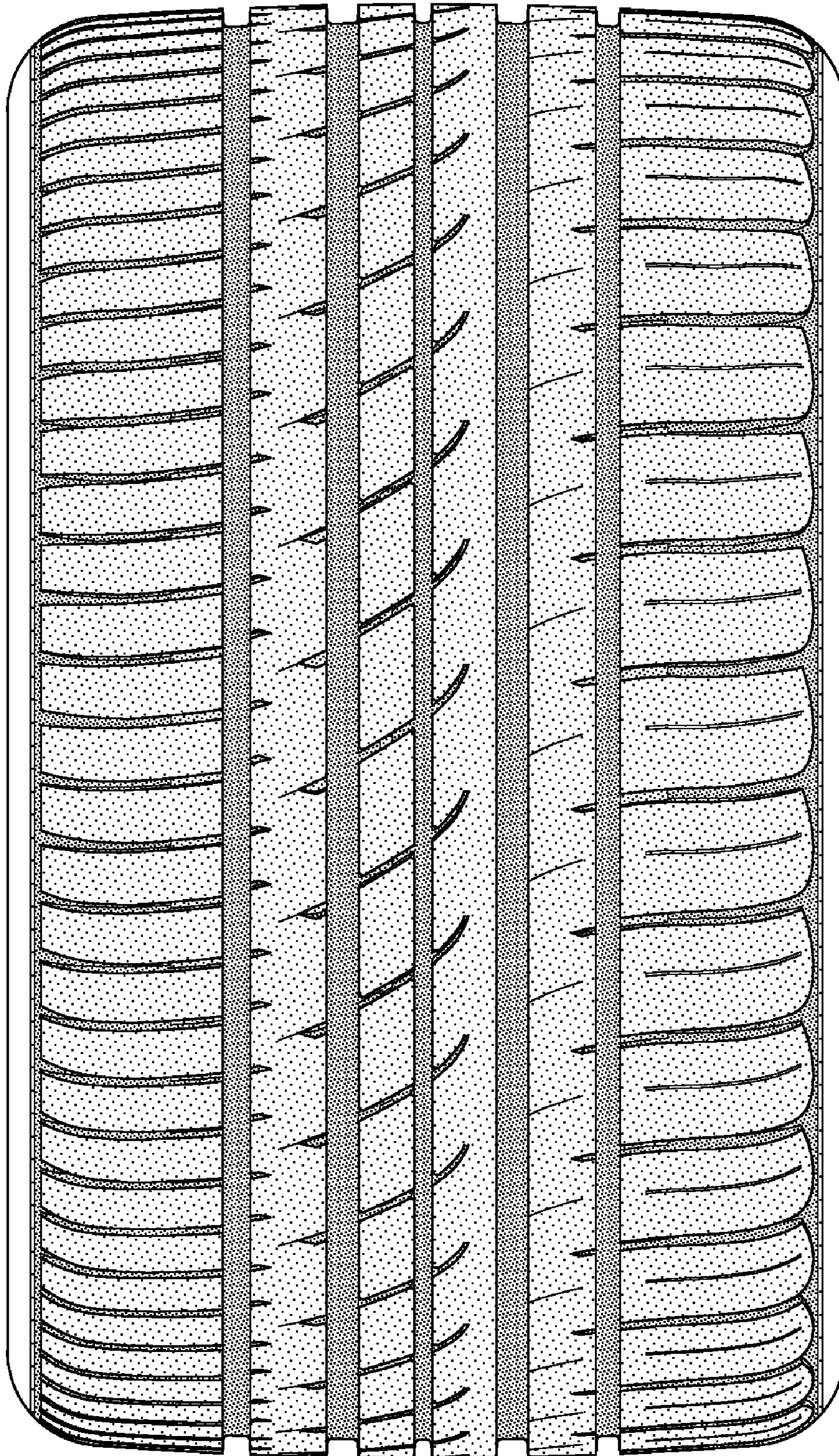


FIG-7