



US00D634697S

(12) **United States Design Patent**  
**Weaver et al.**

(10) **Patent No.:** **US D634,697 S**  
(45) **Date of Patent:** **\*\* Mar. 22, 2011**

(54) **ANTI-SWAY DEVICE FOR A BICYCLE CARRIER RACK**

(75) Inventors: **Greg G. Weaver**, Waterbury, CT (US);  
**Joseph R. Flaherty**, Prospect, CT (US);  
**Thomas J. Hanson**, Rye, NY (US);  
**Timothy J. Makris**, Sandy Hook, CT (US);  
**Keith Prescott**, Cambridge, VT (US)

(73) Assignee: **Thule Sweden AB**, Hillerstorp (SE)

(\*\*) Term: **14 Years**

(21) Appl. No.: **29/344,049**

(22) Filed: **Sep. 22, 2009**

**Related U.S. Application Data**

(63) Continuation-in-part of application No. 29/344,047, filed on Sep. 22, 2009.

(51) **LOC (9) Cl.** ..... **12-11**

(52) **U.S. Cl.** ..... **D12/408**

(58) **Field of Classification Search** ..... D12/115,  
D12/120, 406-408, 412; 224/400, 412, 413,  
224/488, 489, 493, 497, 500, 512-514, 42.12,  
224/42.13, 522-537; 280/202, 292  
See application file for complete search history.

(56) **References Cited**

**U.S. PATENT DOCUMENTS**

3,912,139 A \* 10/1975 Bowman ..... 224/924  
4,085,874 A \* 4/1978 Graber ..... 224/321

4,394,948 A \* 7/1983 Graber ..... 224/314  
4,726,499 A \* 2/1988 Hoerner ..... 224/314  
D306,992 S \* 4/1990 Morehouse ..... D12/408  
4,997,116 A \* 3/1991 Grim ..... 224/493  
5,211,323 A \* 5/1993 Chimenti et al. .... 224/314  
5,305,936 A \* 4/1994 Nusbaum ..... 224/324  
5,826,767 A \* 10/1998 Chimenti et al. .... 224/324  
6,019,266 A \* 2/2000 Johnson ..... 224/534  
D430,533 S \* 9/2000 Peschmann et al. .... D12/408  
6,345,748 B1 \* 2/2002 Chimenti et al. .... 224/324  
D467,219 S \* 12/2002 Peschmann ..... D12/408  
2007/0235487 A1 \* 10/2007 Bogoslofski et al. .... 224/533

\* cited by examiner

*Primary Examiner* — Philip S Hyder

*Assistant Examiner* — Linda G. Brooks

(74) *Attorney, Agent, or Firm* — Novak Druce + Quigg, LLP

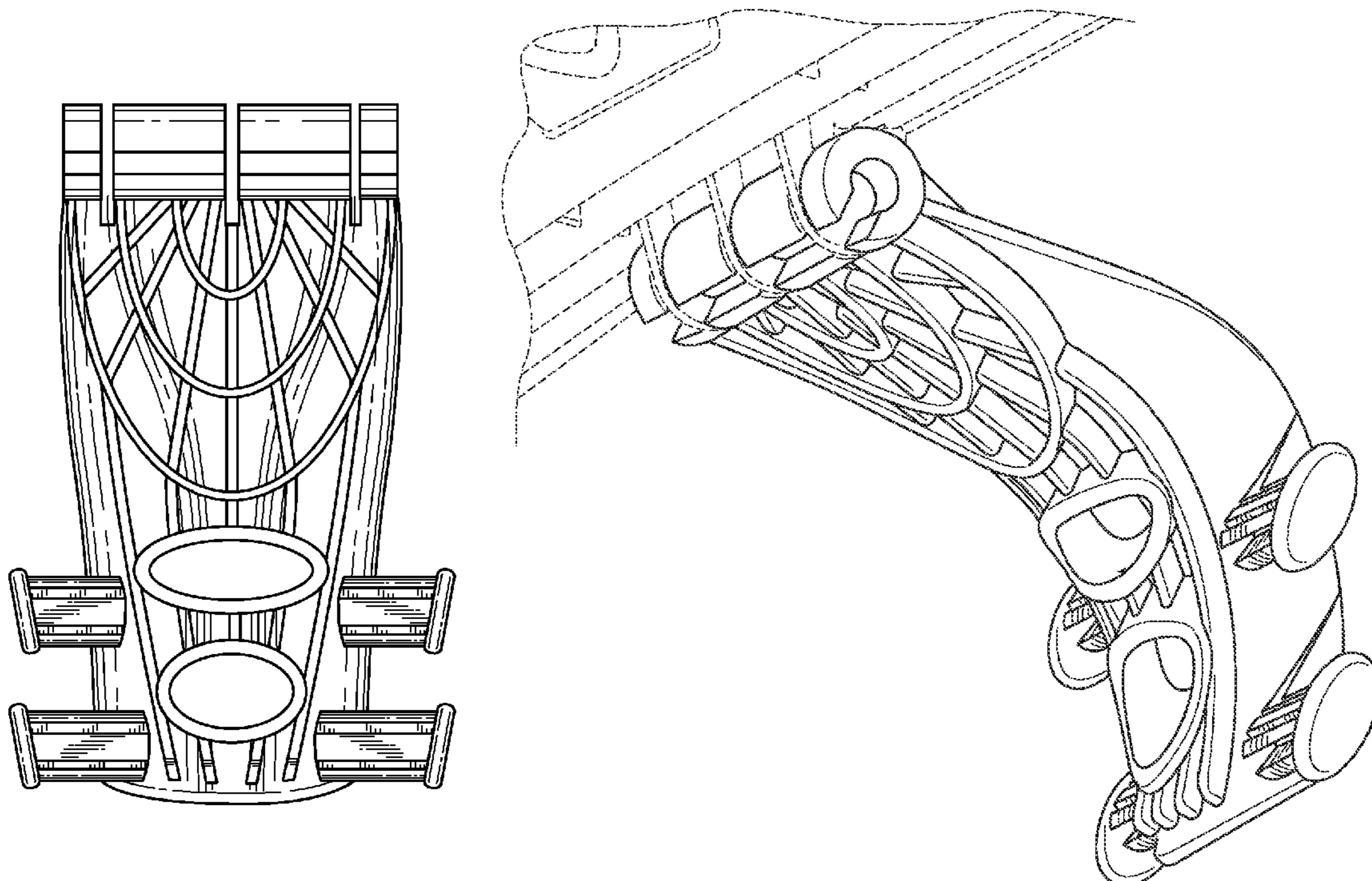
(57) **CLAIM**

We claim the ornamental design for an anti-sway device for a bicycle carrier rack, as shown and described.

**DESCRIPTION**

FIG. 1 is a perspective view of an anti-sway device for a bicycle carrier rack;  
FIG. 2 is a right side elevational view thereof;  
FIG. 3 is a rear elevational view thereof;  
FIG. 4 is a front elevational view thereof;  
FIG. 5 is a top plan view thereof;  
FIG. 6 is a bottom plan view thereof; and,  
FIG. 7 is a bottom perspective view thereof.  
The broken lines are directed to environment and are for illustrative purposes only; the broken lines form no part of the claimed design.

**1 Claim, 6 Drawing Sheets**



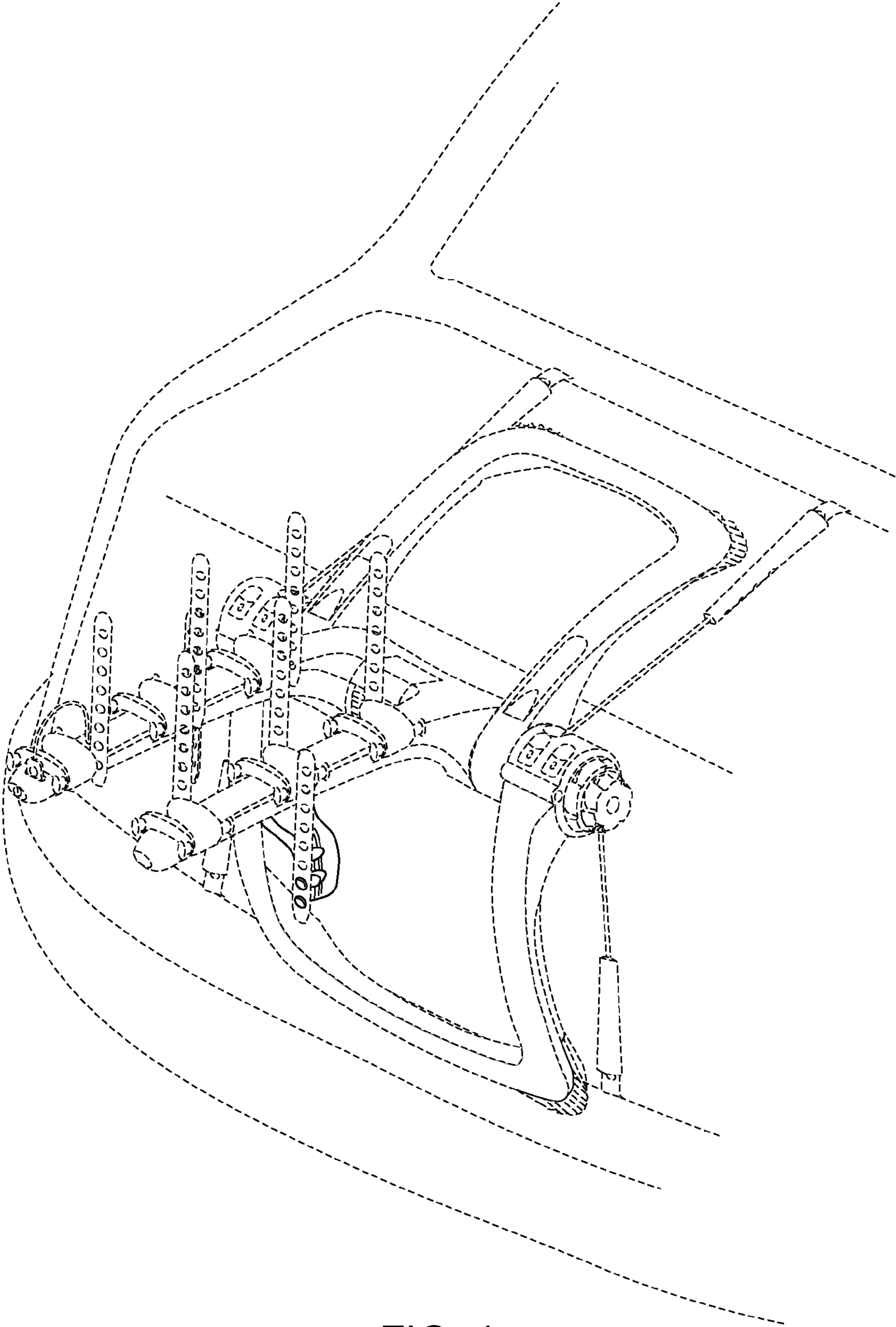


FIG. 1

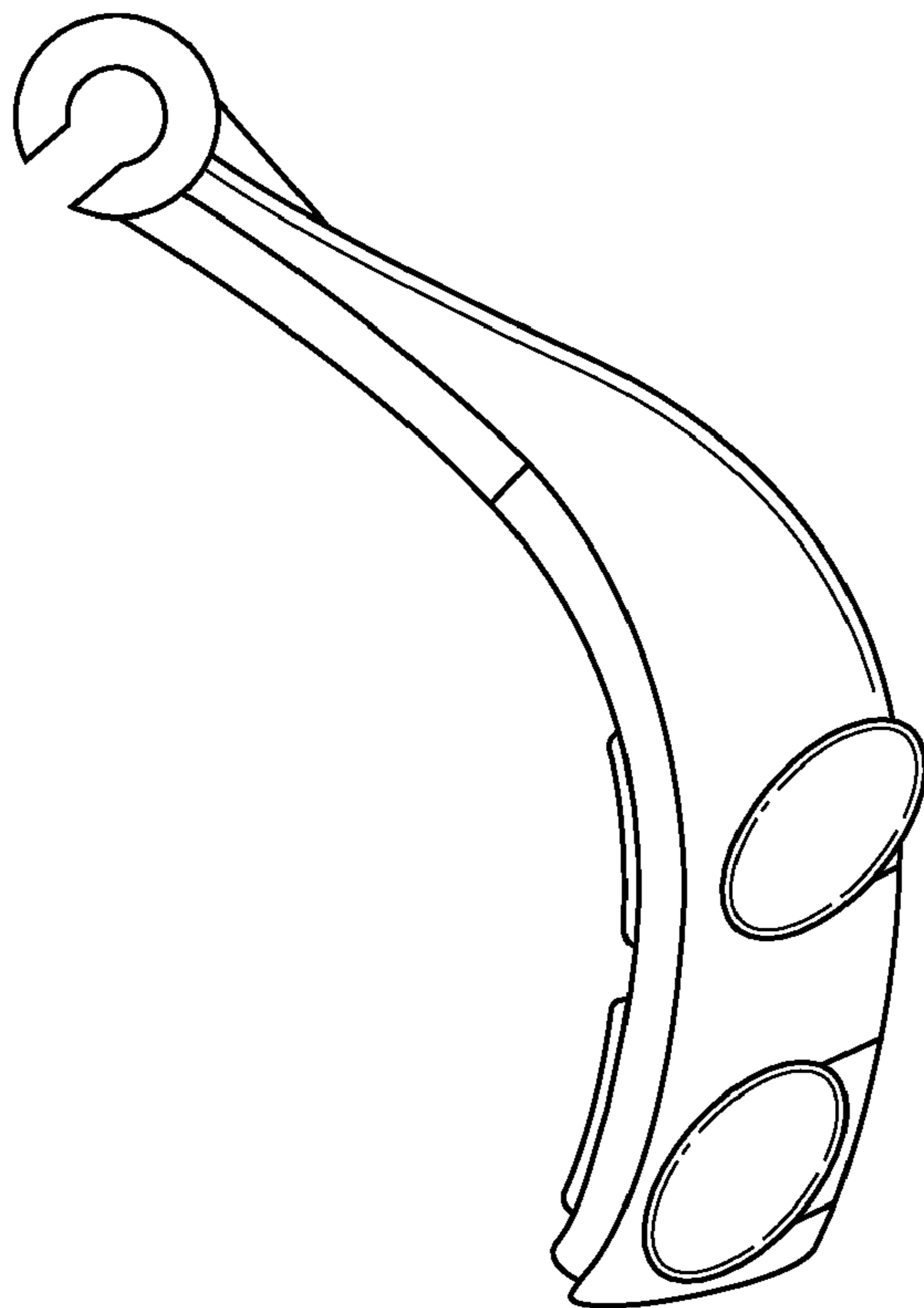


FIG. 2

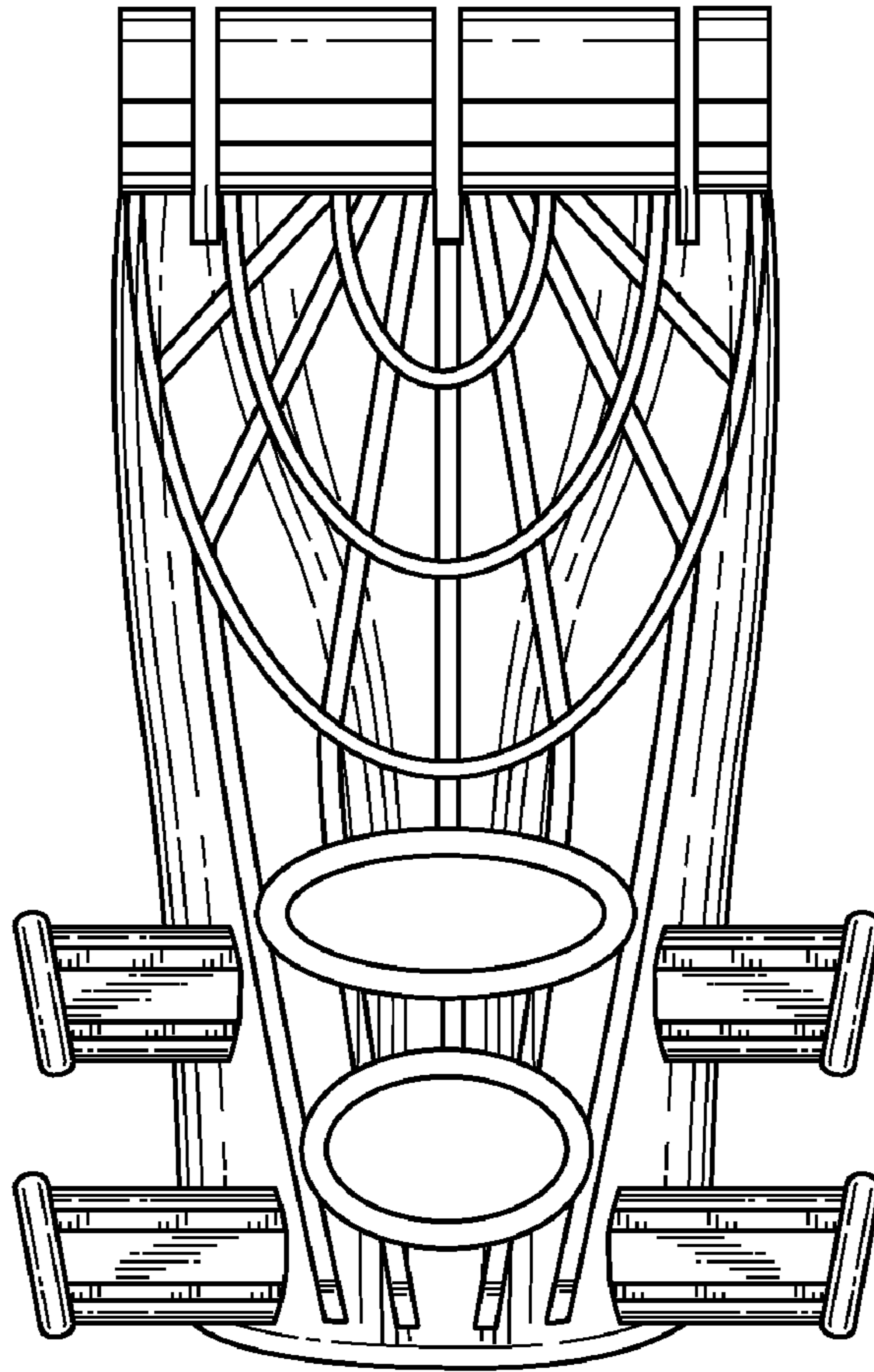


FIG. 3

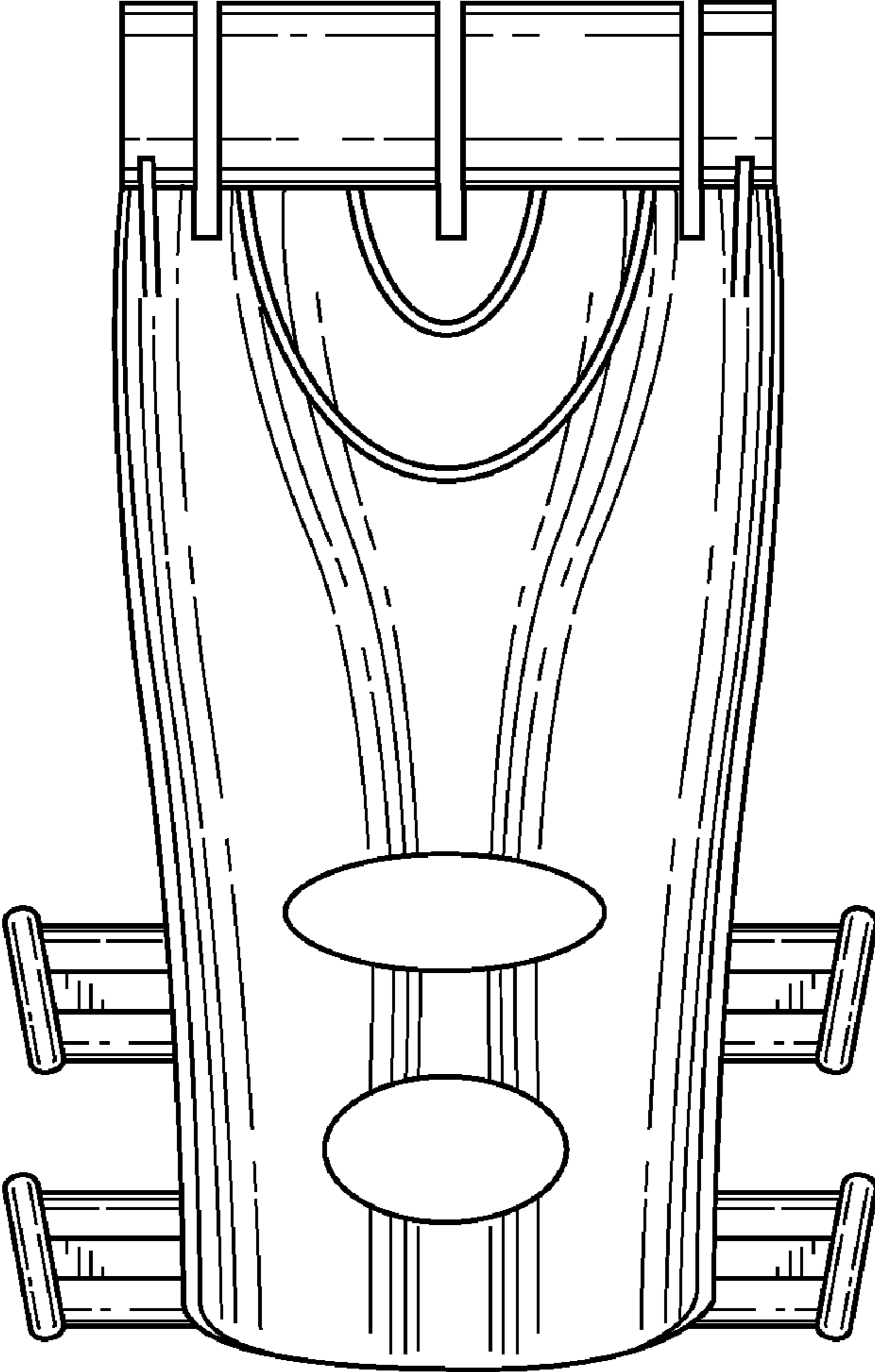


FIG. 4

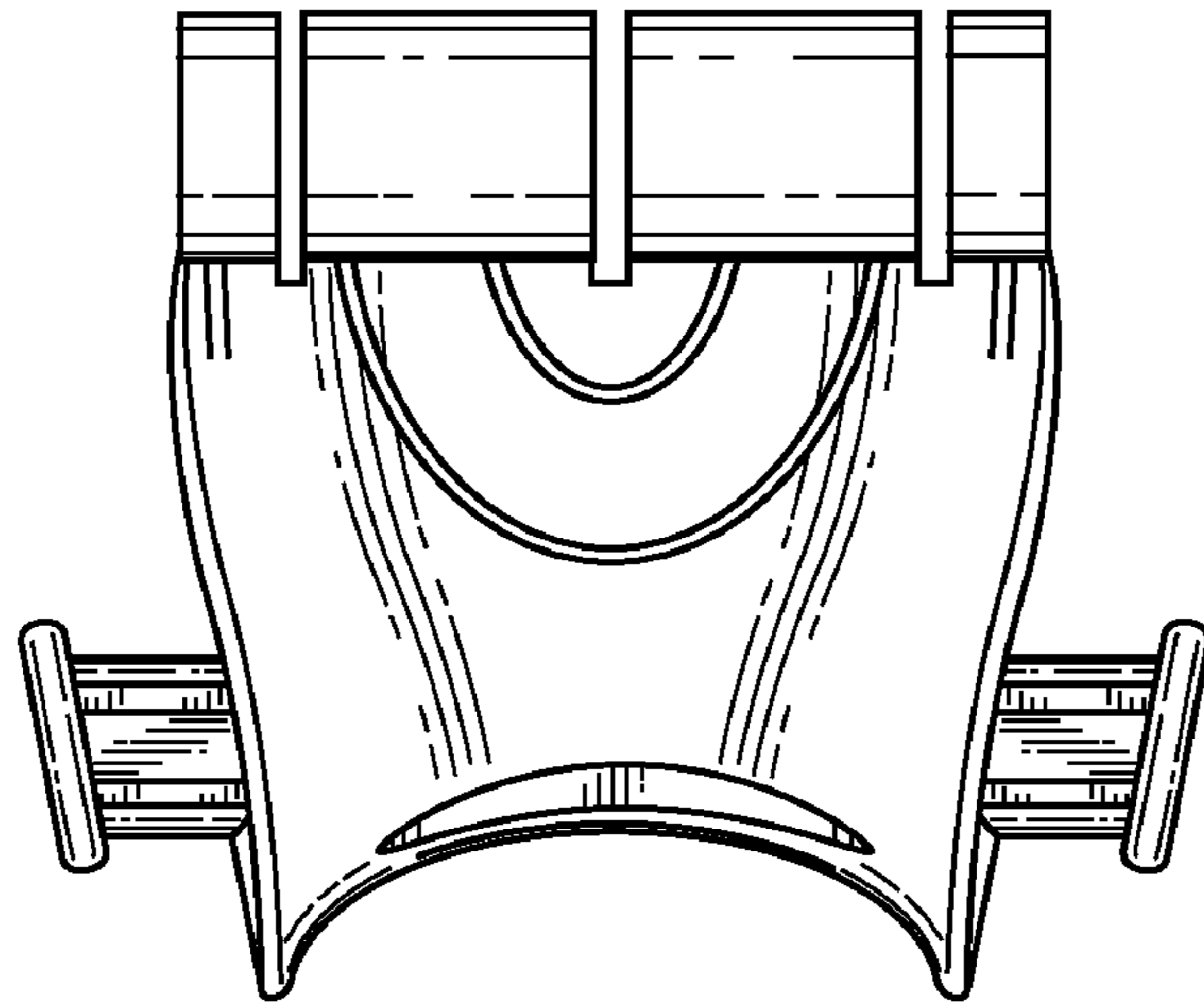


FIG. 5

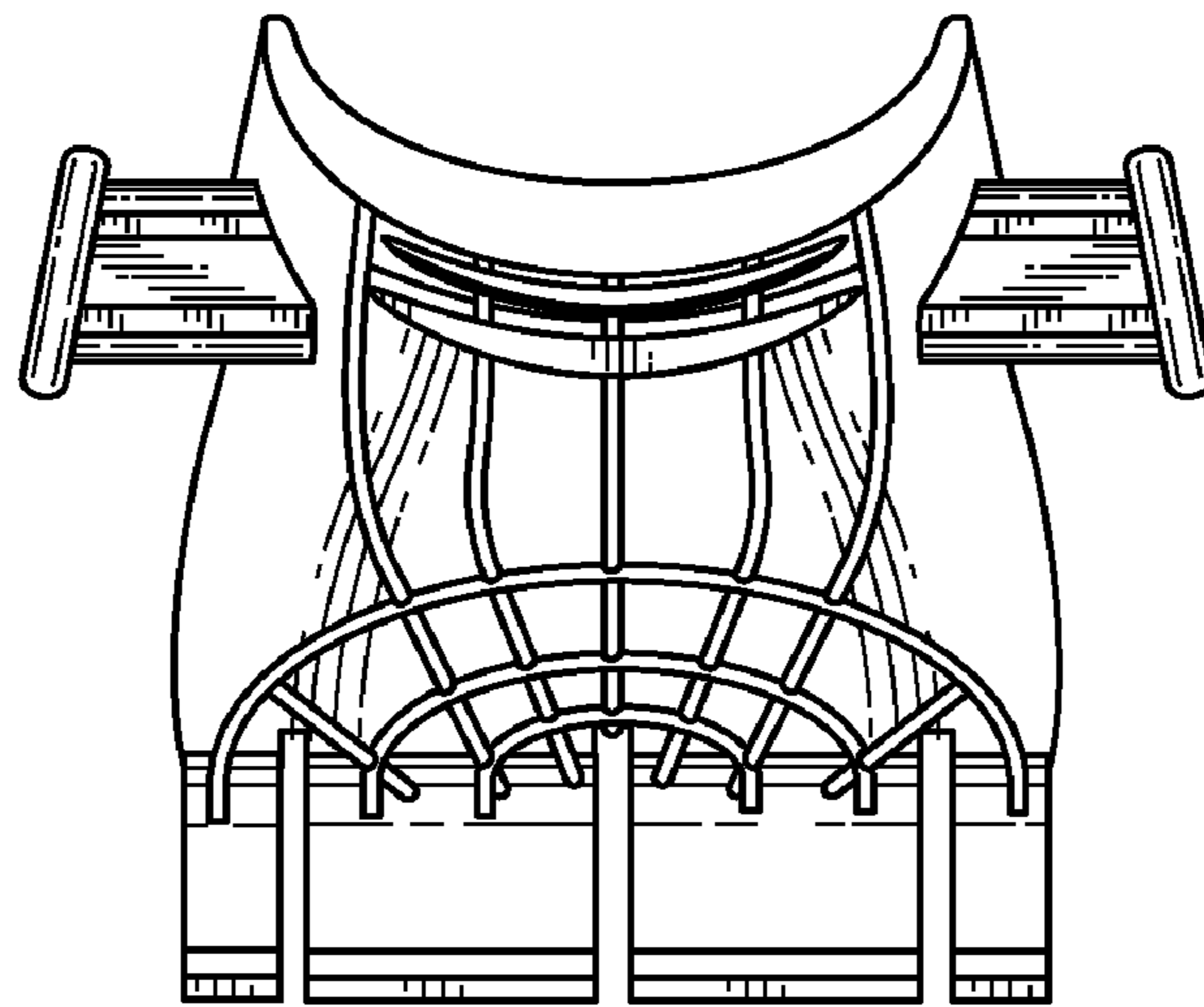


FIG. 6

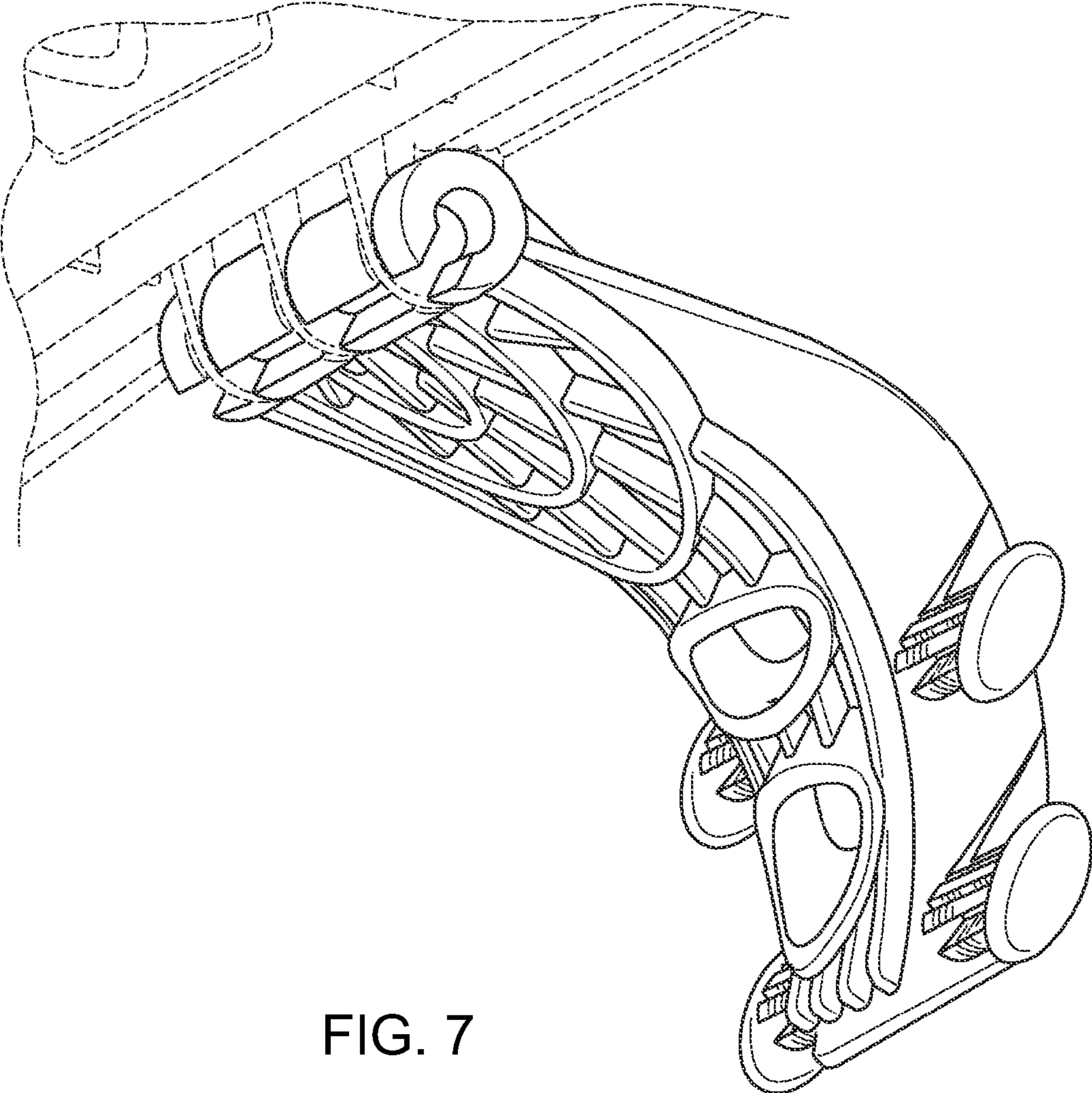


FIG. 7