



US00D634696S

(12) **United States Design Patent**  
**Saint-Jalmes et al.**

(10) **Patent No.:** **US D634,696 S**  
(45) **Date of Patent:** **\*\* Mar. 22, 2011**

(54) **AIRCRAFT**

D607,806 S 1/2010 Saint-Jalmes et al.  
D608,720 S 1/2010 Saint-Jalmes et al.  
D619,076 S \* 7/2010 Guering ..... D12/343

(75) Inventors: **Bruno Saint-Jalmes**, Toulouse (FR);  
**Jason Zaneboni**, Blagnac (FR)

(73) Assignee: **Airbus SAS**, Blagnac Cedex (FR)

(\*\*) Term: **14 Years**

(21) Appl. No.: **29/351,735**

(22) Filed: **Dec. 10, 2009**

**Related U.S. Application Data**

(62) Division of application No. 29/278,234, filed on Mar. 22, 2007, now Pat. No. Des. 608,720.

(51) **LOC (9) Cl.** ..... **12-07**

(52) **U.S. Cl.** ..... **D12/345**

(58) **Field of Classification Search** ..... D12/319,  
D12/343; 244/35 R, 45 R, 119, 130

See application file for complete search history.

(56) **References Cited**

**U.S. PATENT DOCUMENTS**

D230,961 S	3/1974	Ryan et al.
D274,510 S	7/1984	McComas et al.
D515,012 S	2/2006	Eakins et al.
D516,995 S	3/2006	Eakins et al.
D524,230 S	7/2006	Stille et al.
D524,718 S	7/2006	Scott et al.
D526,269 S	8/2006	Eadie
D537,029 S	2/2007	Eakins et al.

**OTHER PUBLICATIONS**

U.S. Appl. No. 29/278,228. Title: Aircraft Seating Arrangement, filed Mar. 22,2007.

U.S. Appl. No. 29/278,239. Title: Elements of an Aircraft, filed Mar. 22,2007.

Embraer E-Jet 190 picture; [online], [retrieved on Mar. 9, 2010]. Retrieved from the internet <URL: [http://www.embraercommercialjets.com/#/en/products\\_detail/3](http://www.embraercommercialjets.com/#/en/products_detail/3)>.

Boeing, General Exterior Arrangement 737; [online], 1995-2001, [retrieved on Mar .9, 2010]. Retrieved from the internet: <URL: [http://www.boeing.com/commercial/737family/pf/pf\\_exterior.html](http://www.boeing.com/commercial/737family/pf/pf_exterior.html)>.

\* cited by examiner

*Primary Examiner* — Lisa P Lichtenstein

(74) *Attorney, Agent, or Firm* — Osler, Hoskin & Harcourt LLP

(57) **CLAIM**

The ornamental design for an aircraft, as shown and described.

**DESCRIPTION**

FIG. 1 is a front right perspective view showing an aircraft according to our design;

FIG. 2 is a left side elevation view thereof, the right side being a mirror image;

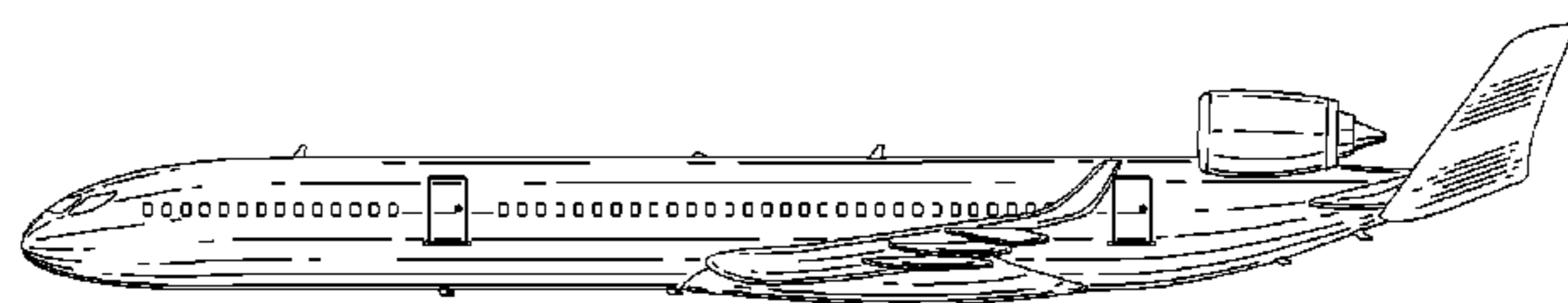
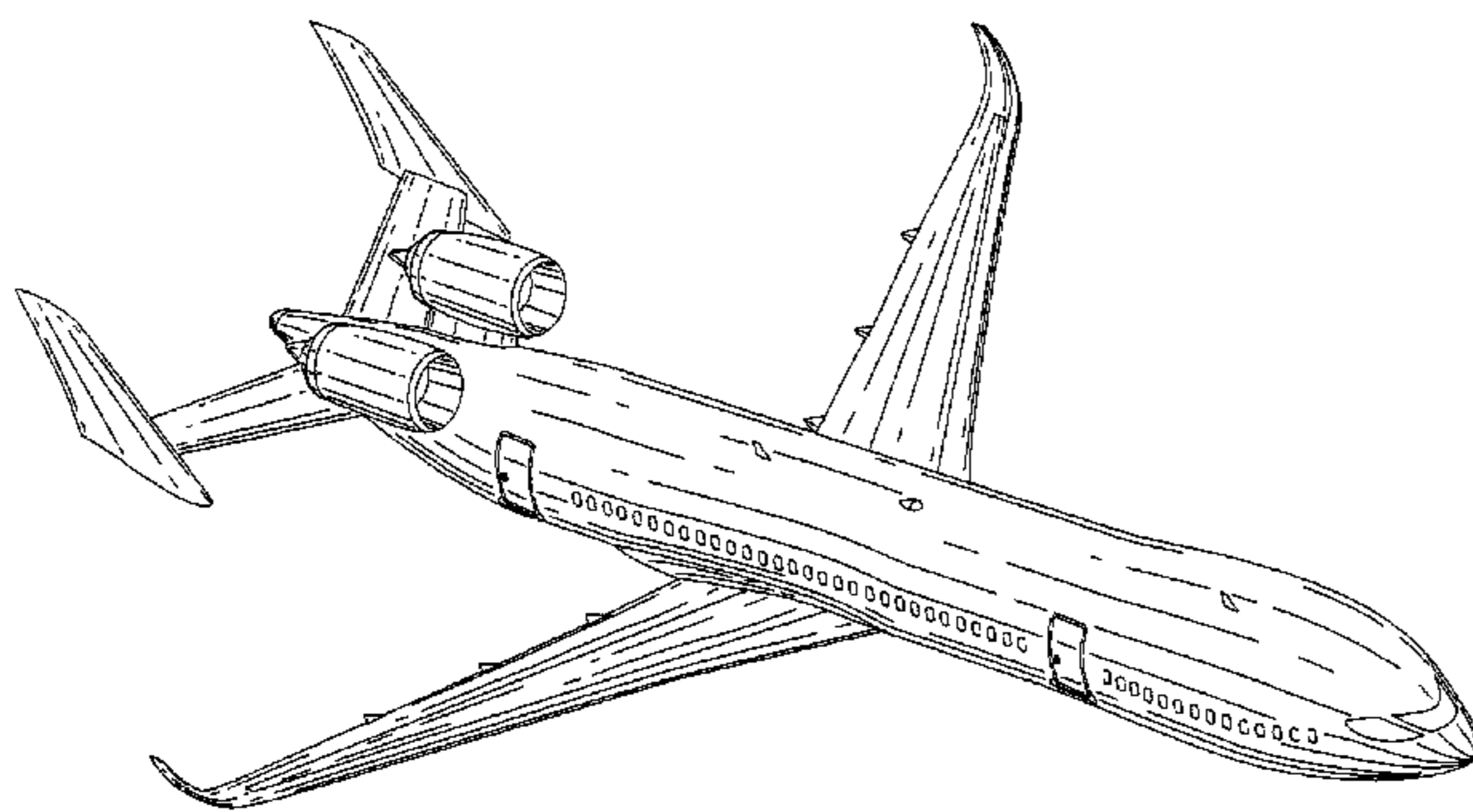
FIG. 3 is a front elevation view thereof;

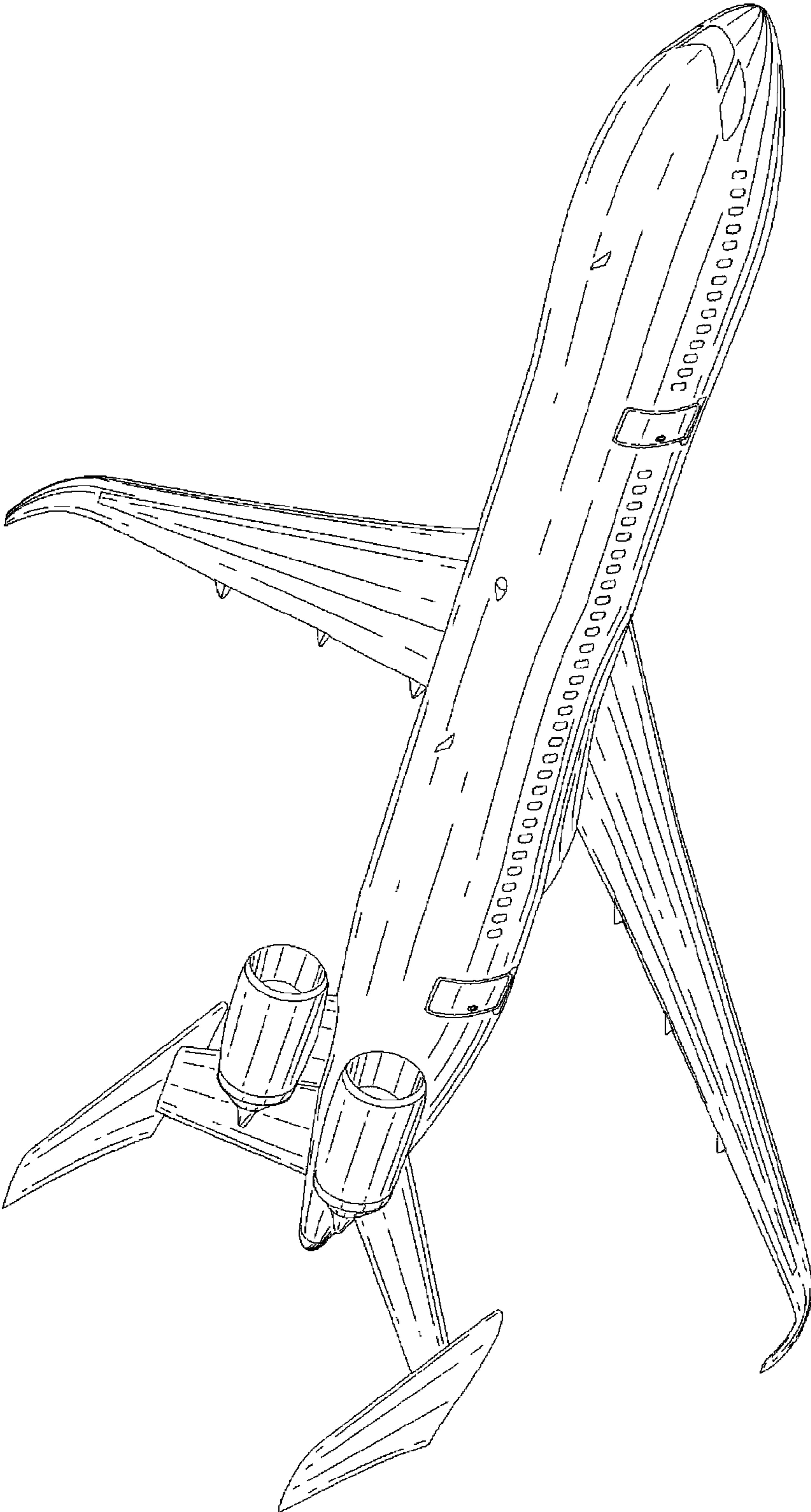
FIG. 4 is a rear elevation view thereof;

FIG. 5 is a top plan view thereof; and,

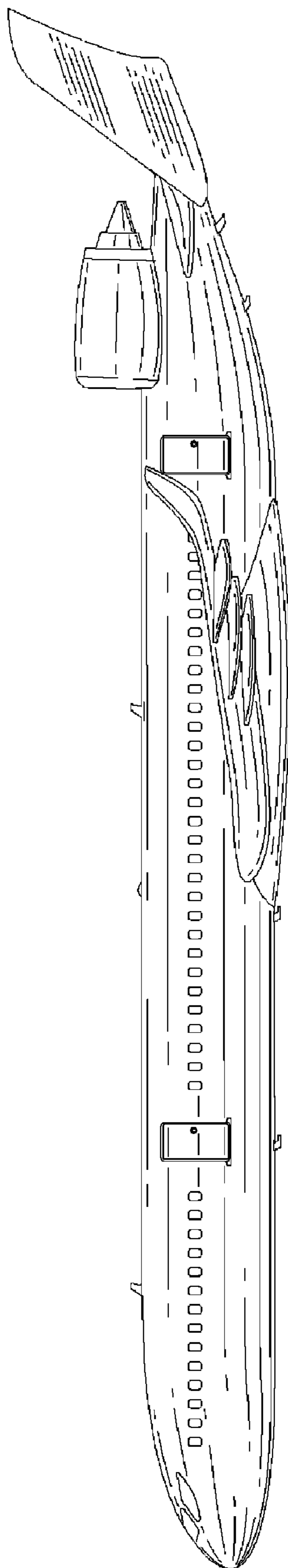
FIG. 6 is a bottom plan view thereof.

**1 Claim, 5 Drawing Sheets**

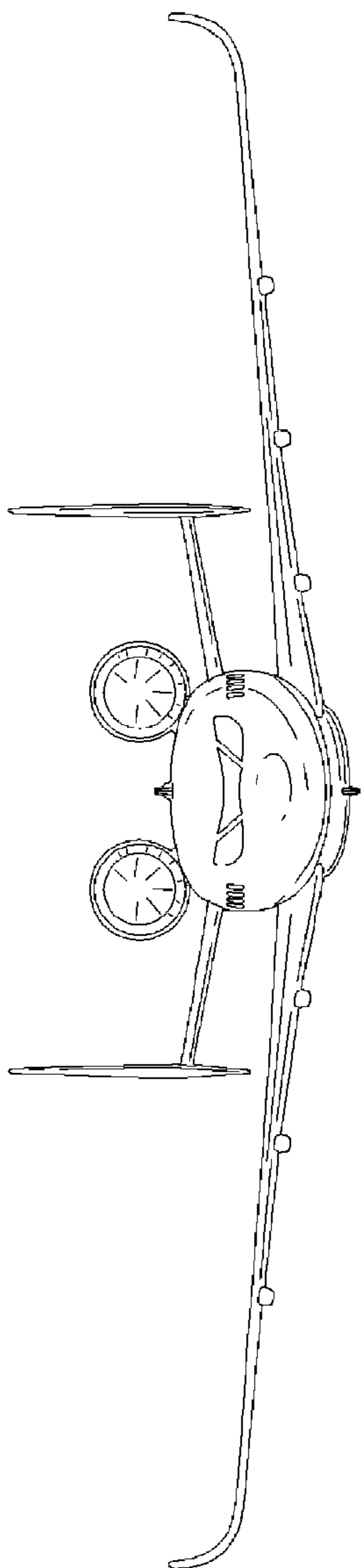




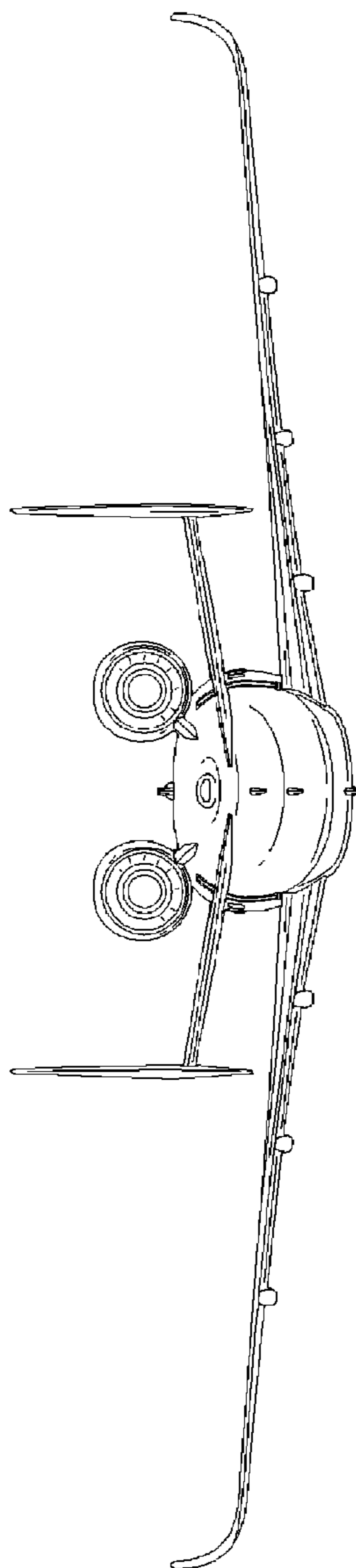
**FIG. 1**



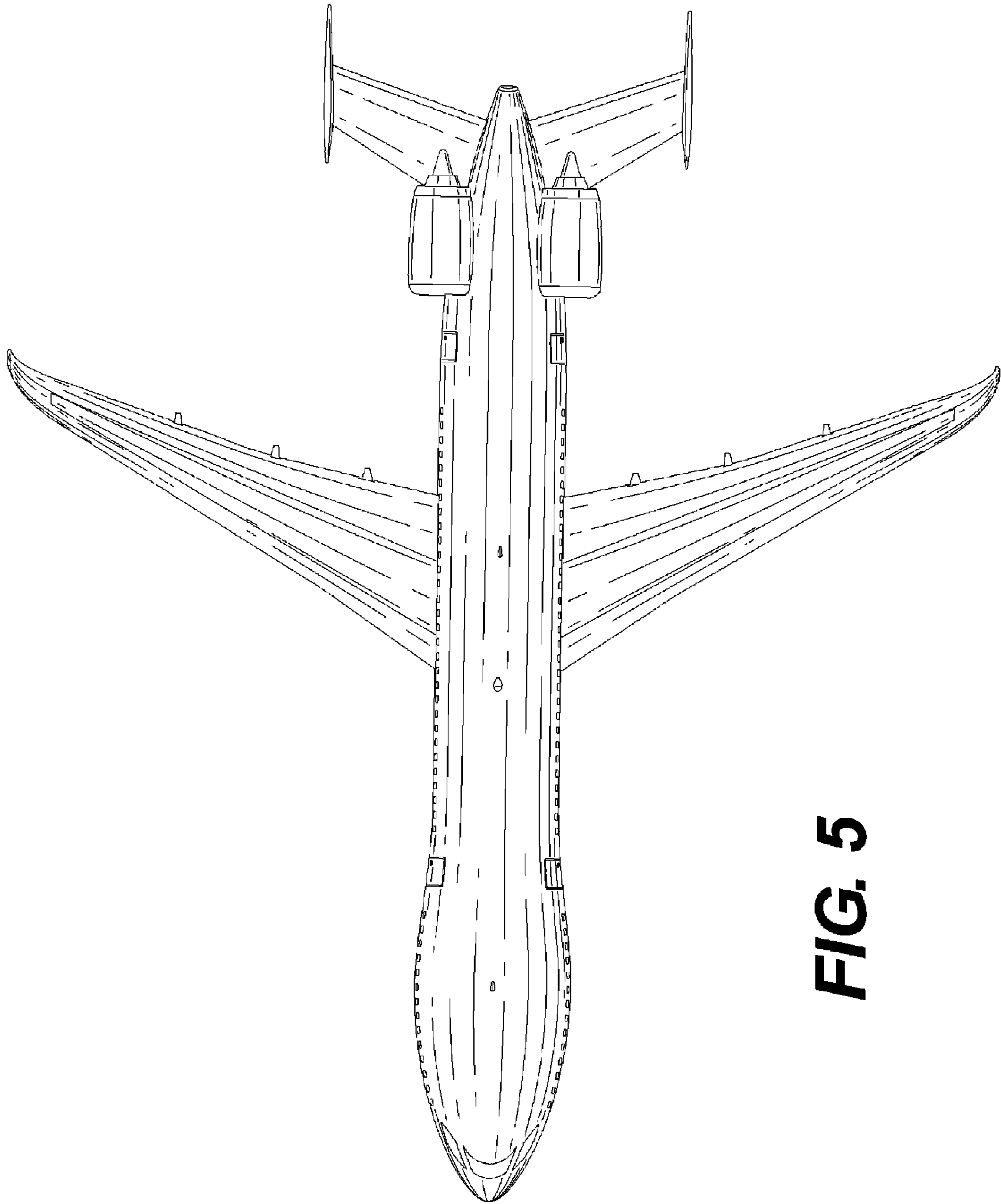
**FIG. 2**



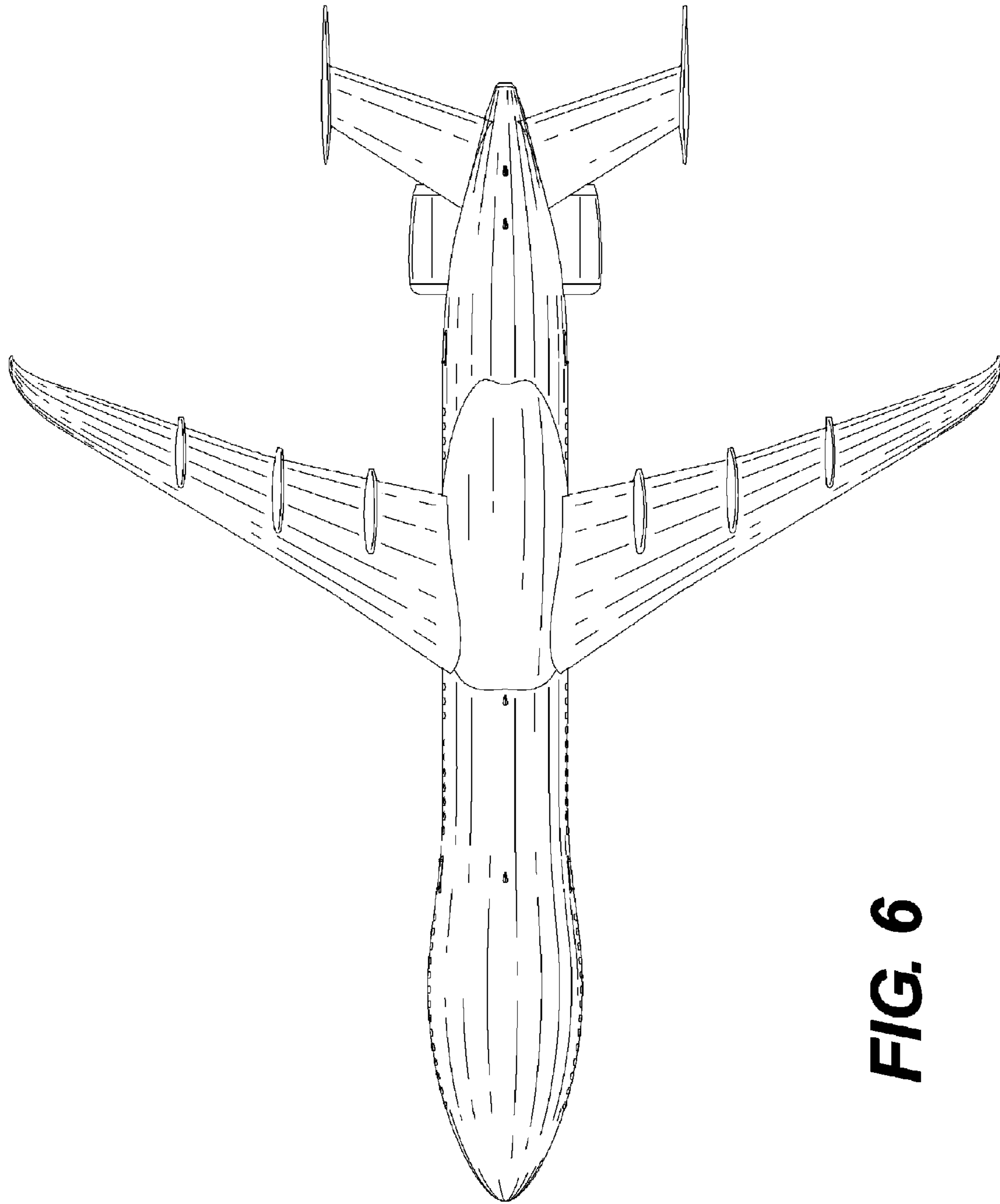
**FIG. 3**



**FIG. 4**



**FIG. 5**



**FIG. 6**