



US00D634694S

(12) **United States Design Patent**  
**Ingrassia**

(10) **Patent No.:** **US D634,694 S**

(45) **Date of Patent:** **\*\* Mar. 22, 2011**

(54) **GAS TANK COVER**

(76) **Inventor:** **Christopher David Ingrassia**, Gilberts,  
IL (US)

(\*\*) **Term:** **14 Years**

(21) **Appl. No.:** **29/356,371**

(22) **Filed:** **Feb. 24, 2010**

(51) **LOC (9) Cl.** ..... **12-11**

(52) **U.S. Cl.** ..... **D12/218**; D12/126

(58) **Field of Classification Search** ..... D12/218,  
D12/126, 197, 198, 110; D9/443, 444, 453,  
D9/435; 220/4.14, 203.04, 376, 86.1-86.3,  
220/12, 203.4, DIG. 5, DIG. 12, DIG. 32,  
220/DIG. 33, 310.1, 378, 200, 204, 304,  
220/562-564, 560.01, 560.6, 211; D15/150;  
411/349, 553; 137/592; 296/97.22; 280/830,  
280/833, 834, 835; D23/260

See application file for complete search history.

(56) **References Cited**

**U.S. PATENT DOCUMENTS**

3,701,540 A \* 10/1972 Pringle ..... 280/834  
D312,214 S \* 11/1990 Hodge ..... D9/435  
D425,004 S \* 5/2000 Bonvicin ..... D12/197

D466,468 S \* 12/2002 Watson ..... D12/218  
D506,426 S \* 6/2005 Quast ..... D12/197  
D508,225 S \* 8/2005 Scheepers et al. .... D12/197  
D513,179 S \* 12/2005 Gavin et al. .... D9/435  
D537,388 S \* 2/2007 Martell ..... D12/126  
D539,202 S \* 3/2007 Elwell et al. .... D12/197  
7,530,467 B2 \* 5/2009 Suga ..... 220/300  
D626,055 S \* 10/2010 Watson ..... D12/218

\* cited by examiner

*Primary Examiner* — Susan M Lee

*Assistant Examiner* — Linda G. Brooks

(74) *Attorney, Agent, or Firm* — Sinorica, LLC

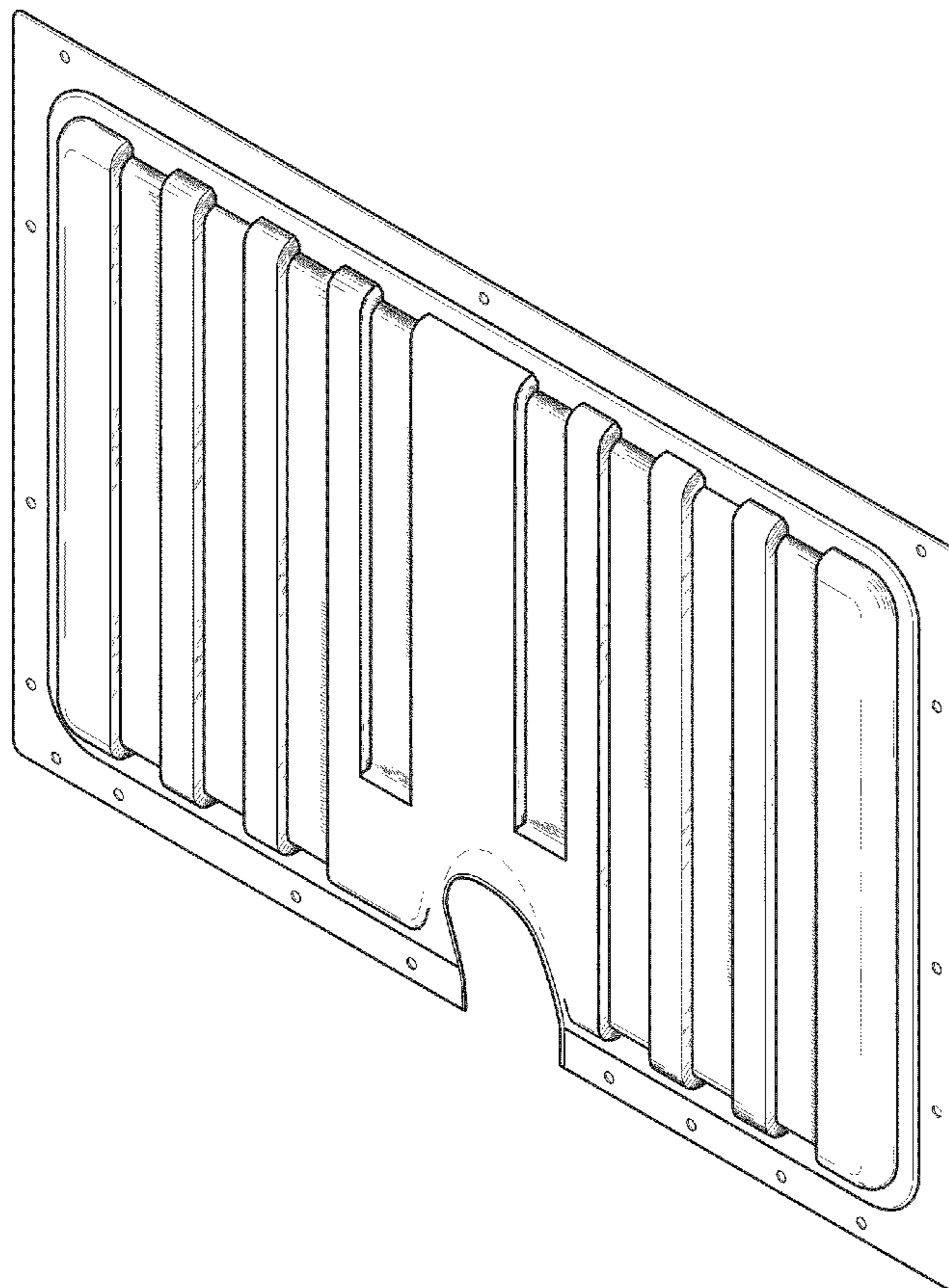
(57) **CLAIM**

The ornamental design for a gas tank cover, as shown and described.

**DESCRIPTION**

FIG. 1 is a front perspective view of a gas tank cover;  
FIG. 2 is a front elevational view thereof;  
FIG. 3 is a rear elevational view thereof;  
FIG. 4 is a bottom plan view thereof;  
FIG. 5 is a top plan view thereof;  
FIG. 6 is a right-side elevational view thereof; and,  
FIG. 7 is a left-side elevational view thereof.

**1 Claim, 4 Drawing Sheets**



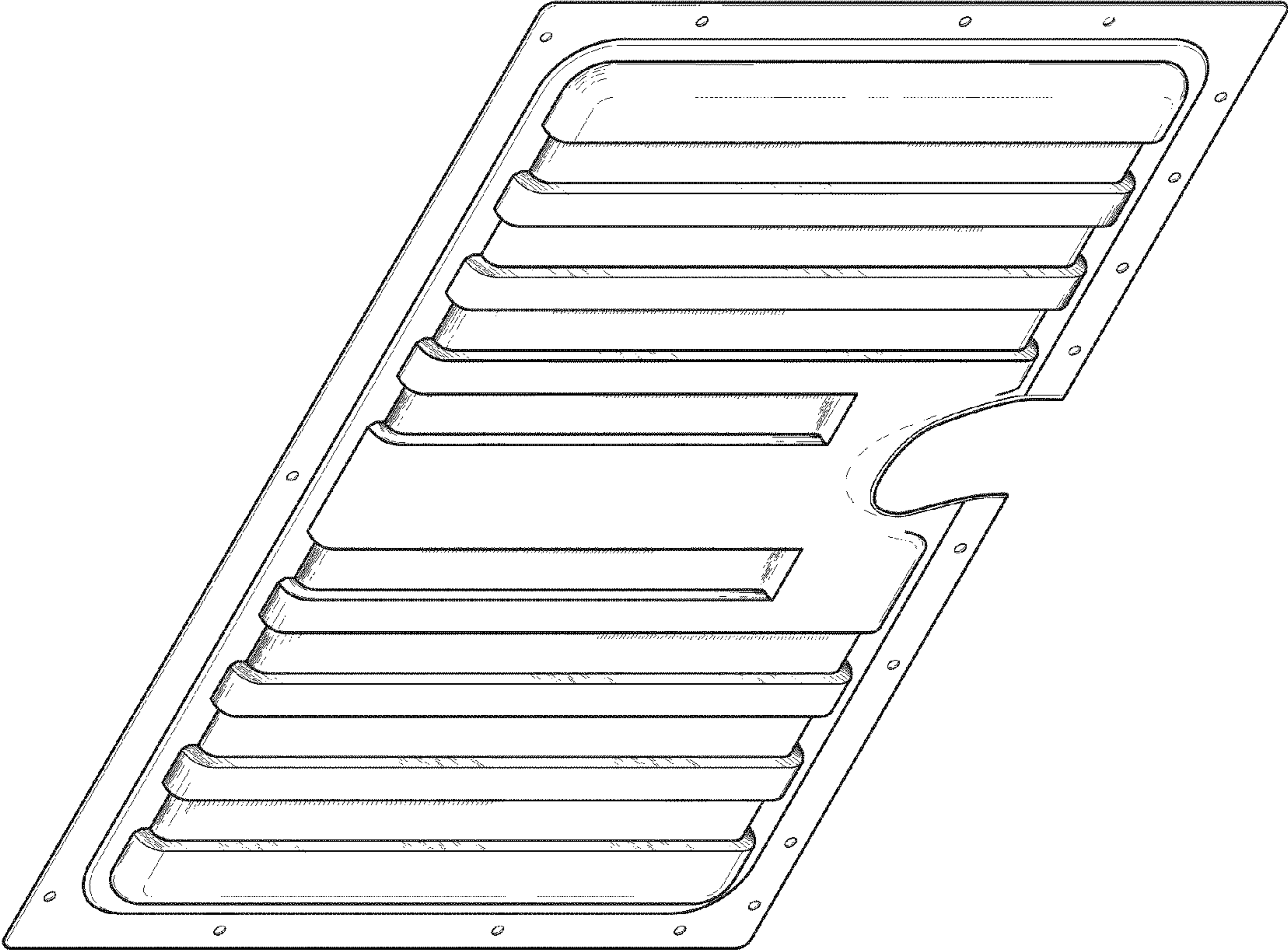


FIG. 1

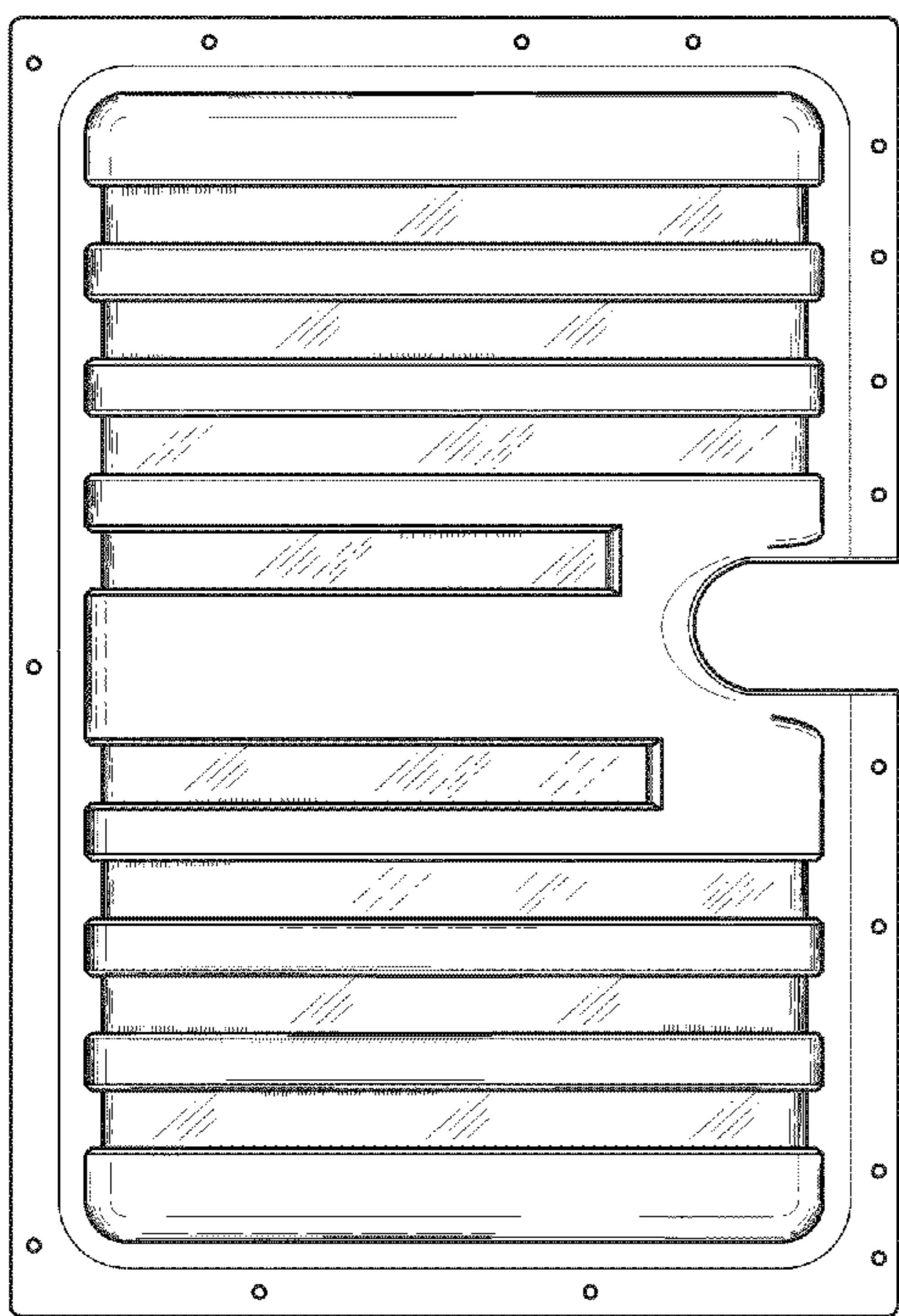


FIG. 2

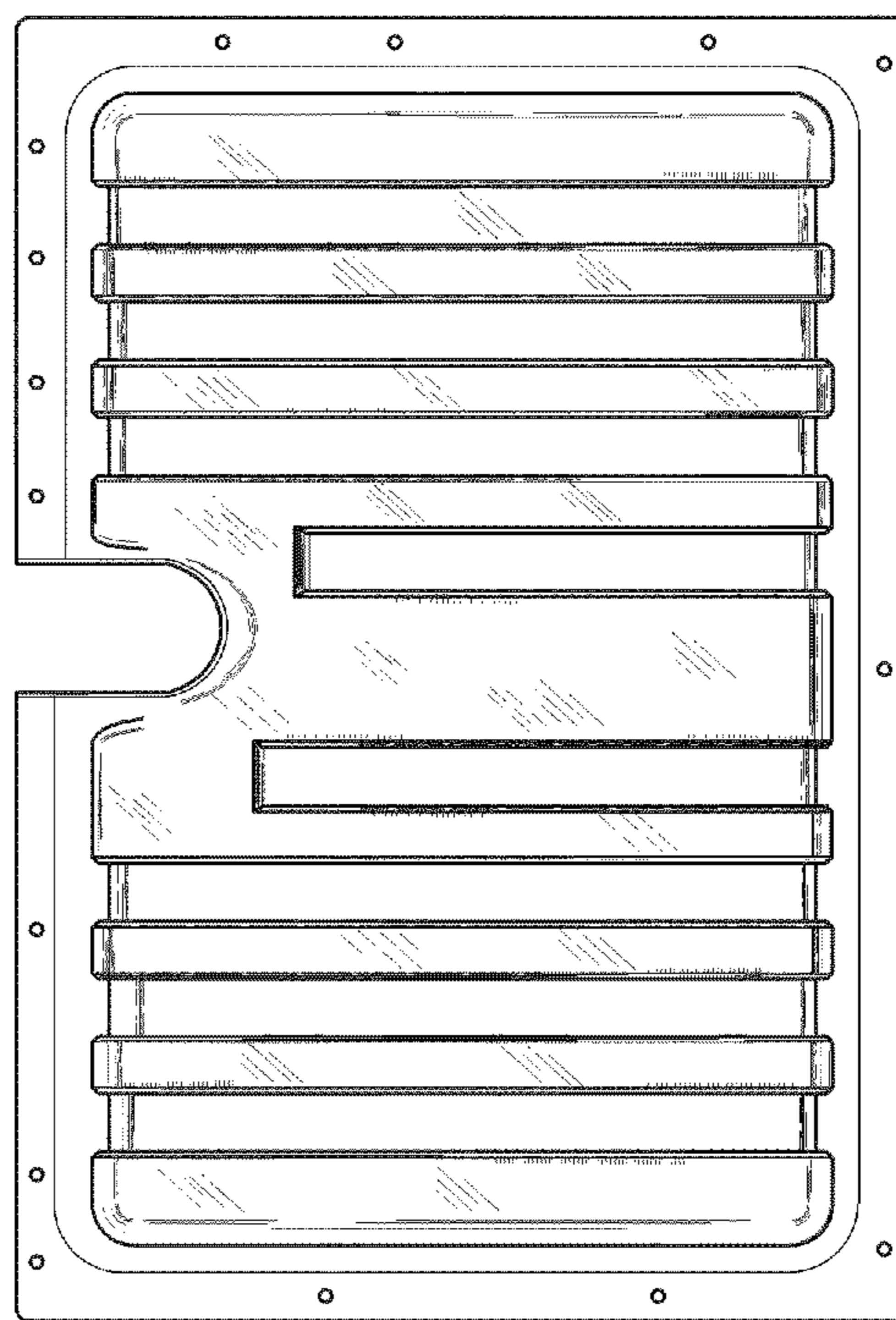


FIG. 3

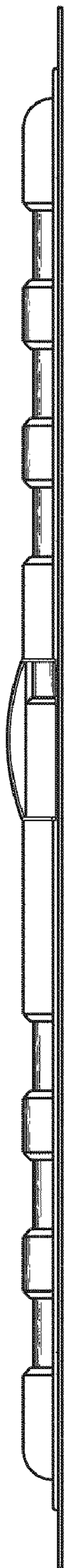


FIG. 4



FIG. 5

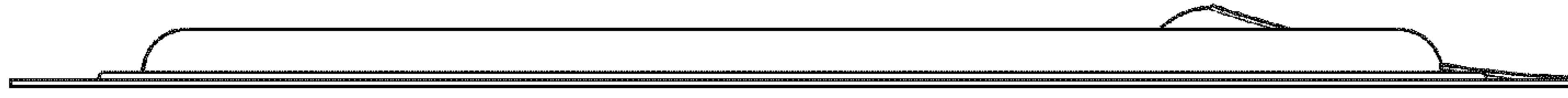


FIG. 7

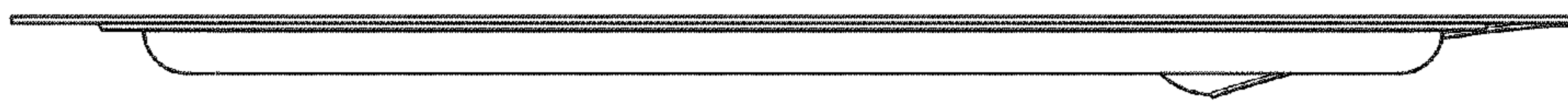


FIG. 6