



US00D634692S

(12) **United States Design Patent**
Stefanov

(10) **Patent No.:** **US D634,692 S**
(45) **Date of Patent:** **** Mar. 22, 2011**

(54) **VEHICLE WHEEL**

(75) Inventor: **Nikola Stefanov**, San Clemente, CA
(US)

(73) Assignee: **Fisker Automotive, Inc.**, Irvine, CA
(US)

(**) Term: **14 Years**

(21) Appl. No.: **29/364,935**

(22) Filed: **Jun. 30, 2010**

(51) **LOC (9) Cl.** **12-16**

(52) **U.S. Cl.** **D12/211**

(58) **Field of Classification Search** D12/204-213;
301/37.101, 64.101, 65, 64.201
See application file for complete search history.

(56) **References Cited**

U.S. PATENT DOCUMENTS

D520,933 S *	5/2006	Pfeiffer	D12/211
D528,962 S *	9/2006	Blasi	D12/211
D532,358 S *	11/2006	Blasi	D12/211
D539,722 S *	4/2007	Pfeiffer	D12/211
D585,009 S *	1/2009	Rak	D12/211

D593,020 S *	5/2009	Blasi	D12/211
D595,202 S *	6/2009	Spoerle	D12/211
D604,683 S *	11/2009	Hosai	D12/209
D617,251 S *	6/2010	Zhao	D12/211
D618,155 S *	6/2010	Zhao	D12/211
D620,419 S *	7/2010	Lamm et al.	D12/209
D620,425 S *	7/2010	Zhao	D12/211

* cited by examiner

Primary Examiner — Stacia Cadmus

(74) *Attorney, Agent, or Firm* — Butzel Long

(57) **CLAIM**

The ornamental design for a vehicle wheel, as shown and described.

DESCRIPTION

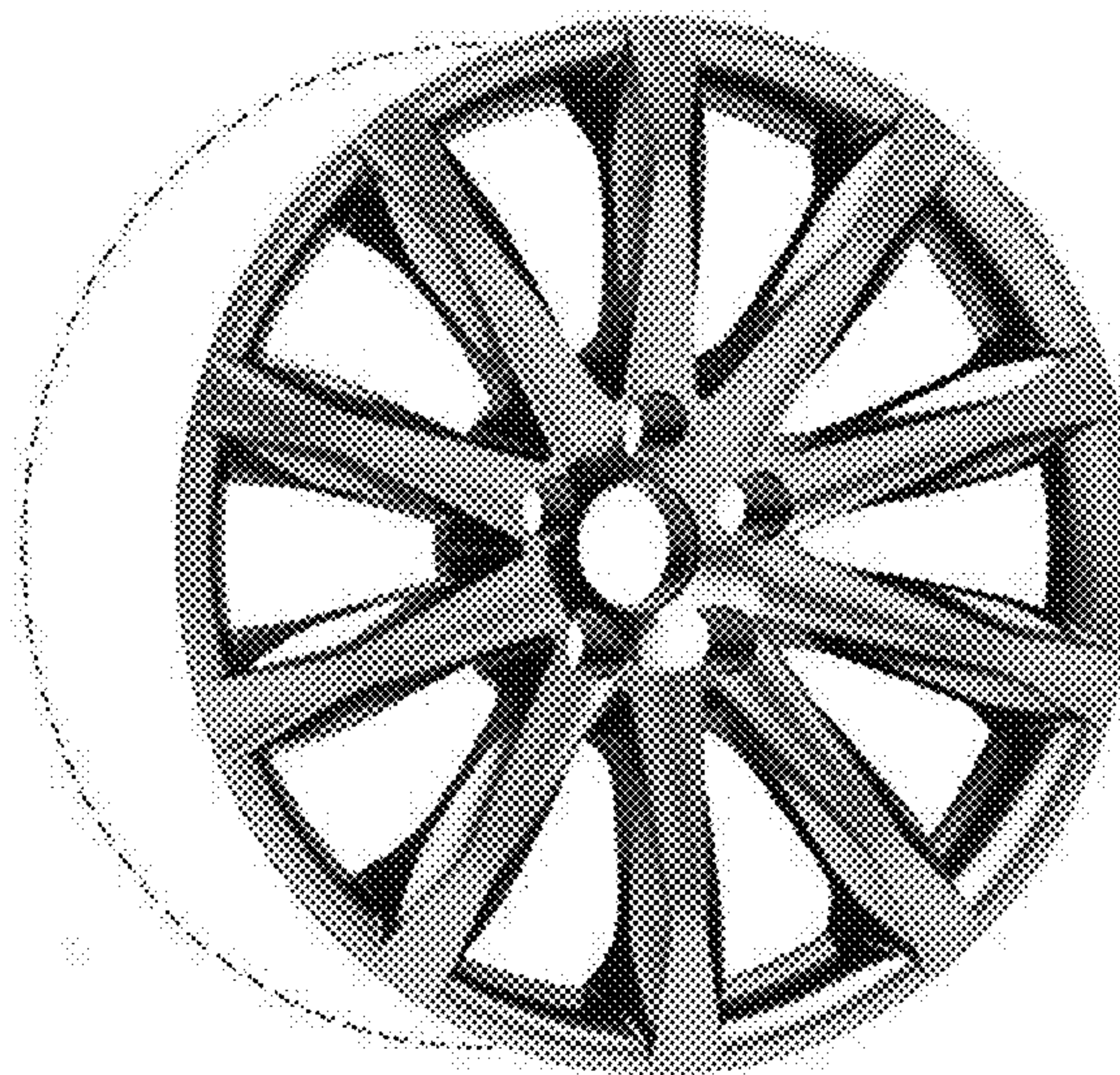
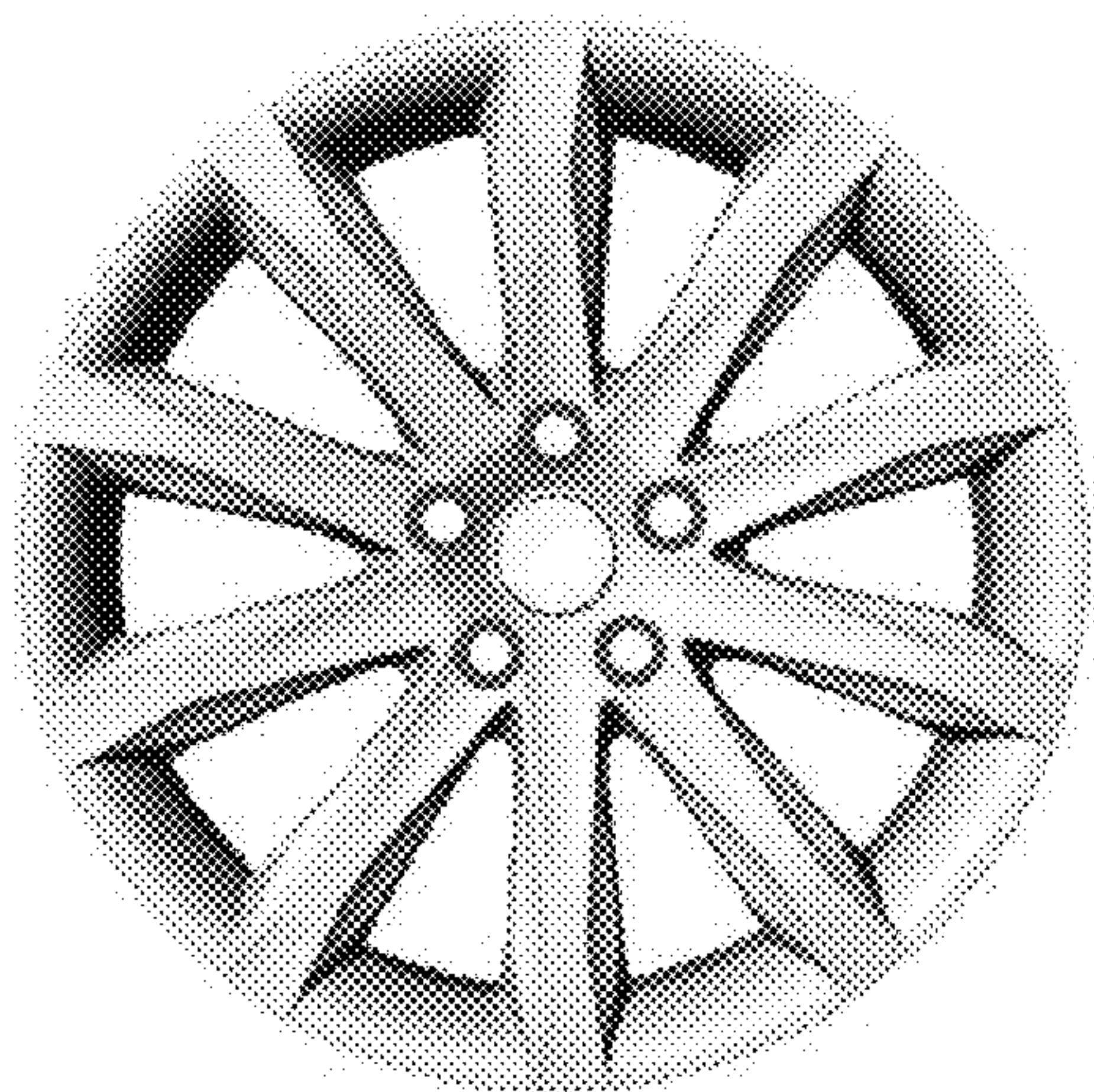
FIG. 1 is a front view of a vehicle wheel, showing my new design;

FIG. 2 is an enlarged perspective view thereof; and,

FIG. 3 is another perspective view thereof.

The broken lines are for environmental purposes only and form no part of the claimed design.

1 Claim, 2 Drawing Sheets



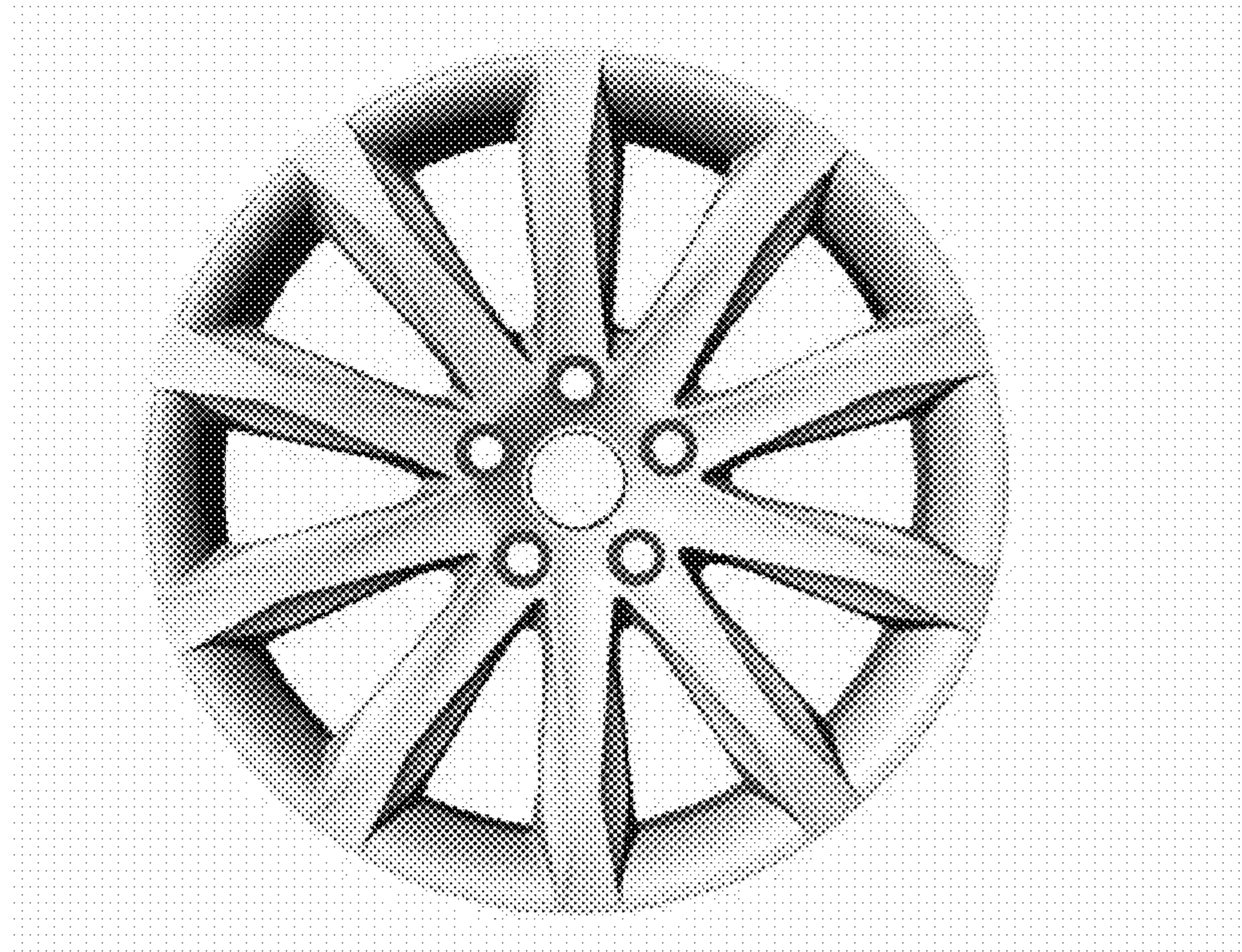


FIG. 1



FIG. 2

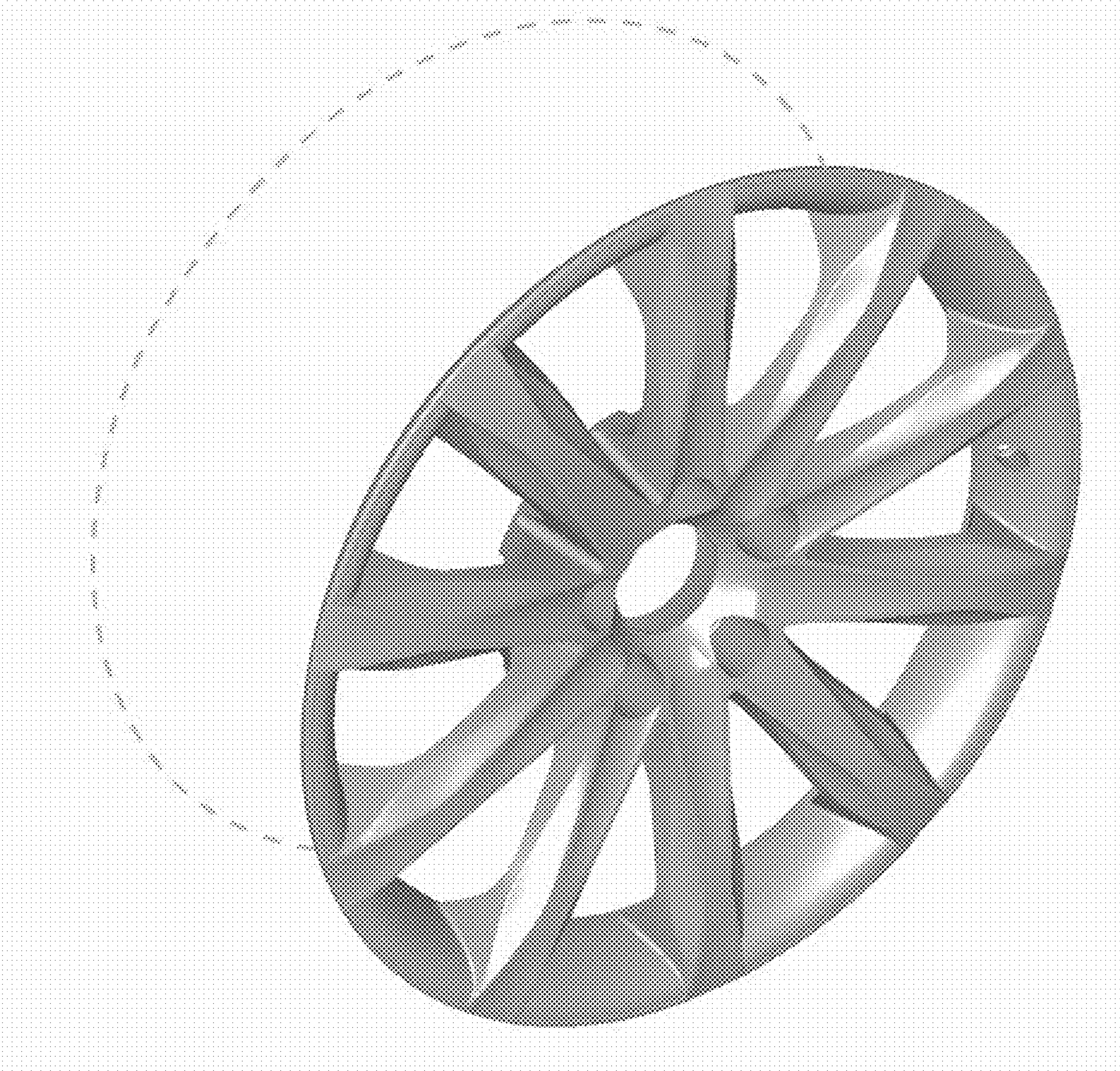


FIG. 3