



US00D634690S

(12) **United States Design Patent**  
**Wiesinger**

(10) **Patent No.:** **US D634,690 S**  
(45) **Date of Patent:** **\*\* Mar. 22, 2011**

(54) **WHEEL RIM**

(75) Inventor: **Alois Wiesinger**, Buchloe (DE)

(73) Assignee: **Alpina Burkard Bovensiepen GmbH & Co. KG**, Buchloe (DE)

(\*\*) Term: **14 Years**

(21) Appl. No.: **29/316,076**

(22) Filed: **Aug. 20, 2009**

(30) **Foreign Application Priority Data**

Feb. 24, 2009 (EM) ..... 001094833-0001

(51) **LOC (9) Cl.** ..... **12-16**

(52) **U.S. Cl.** ..... **D12/211**

(58) **Field of Classification Search** ..... D12/204-213;  
301/37.101, 64.101, 65, 64.201

See application file for complete search history.

(56) **References Cited**

**U.S. PATENT DOCUMENTS**

D270,344 S *	8/1983	Cunard et al. ....	D12/211
D410,886 S *	6/1999	Nishida .....	D12/211
D466,851 S *	12/2002	Pfeiffer et al. ....	D12/211
D525,930 S *	8/2006	Matsumoto .....	D12/211
D532,358 S *	11/2006	Blasi .....	D12/211
D535,604 S *	1/2007	Markefka .....	D12/211
D543,923 S *	6/2007	Hieke .....	D12/211
D552,024 S *	10/2007	Pfeiffer .....	D12/211
D555,567 S *	11/2007	Schweizer .....	D12/211
D576,095 S *	9/2008	Chung .....	D12/211
D585,009 S *	1/2009	Rak .....	D12/211
D593,022 S *	5/2009	Forster et al. ....	D12/211
D595,202 S *	6/2009	Spoerle .....	D12/211
D596,551 S *	7/2009	Futschik et al. ....	D12/211
D604,684 S *	11/2009	Spoerle .....	D12/211

D609,624 S *	2/2010	Matsubara .....	D12/211
D610,516 S *	2/2010	Dilber et al. ....	D12/211
D617,253 S *	6/2010	Zhao .....	D12/211

**FOREIGN PATENT DOCUMENTS**

DE	40000966-0001	5/2000
DE	40008597-0001	1/2002
DE	40109792-0001	6/2002
DE	000005913-0001	4/2003
DE	000007570-0010	5/2003
DE	000007570-0058	5/2003
DE	40405082-0004	11/2004
DE	000351366-0001	6/2005
DE	000510409-0001	5/2006
DE	000135199-0015	6/2006
DE	000135199-0041	6/2006
DE	000586342-0001	10/2006
DE	000988787-0001	9/2008
DE	001042501-0002	12/2008
DE	000867064-0002	3/2009
DE	001145353-0003	6/2009
WO	DM/056361	7/2001
WO	DM/059940	2/2002
WO	DM/062225	1/2003
WO	DM/065545	11/2004
WO	DM/066368	8/2005
WO	DM/066814	8/2005
WO	DM/066584	11/2005

\* cited by examiner

*Primary Examiner* — Stacia Cadmus

(74) *Attorney, Agent, or Firm* — Jordan and Hamburg LLP

(57) **CLAIM**

The ornamental design for a wheel rim, as shown.

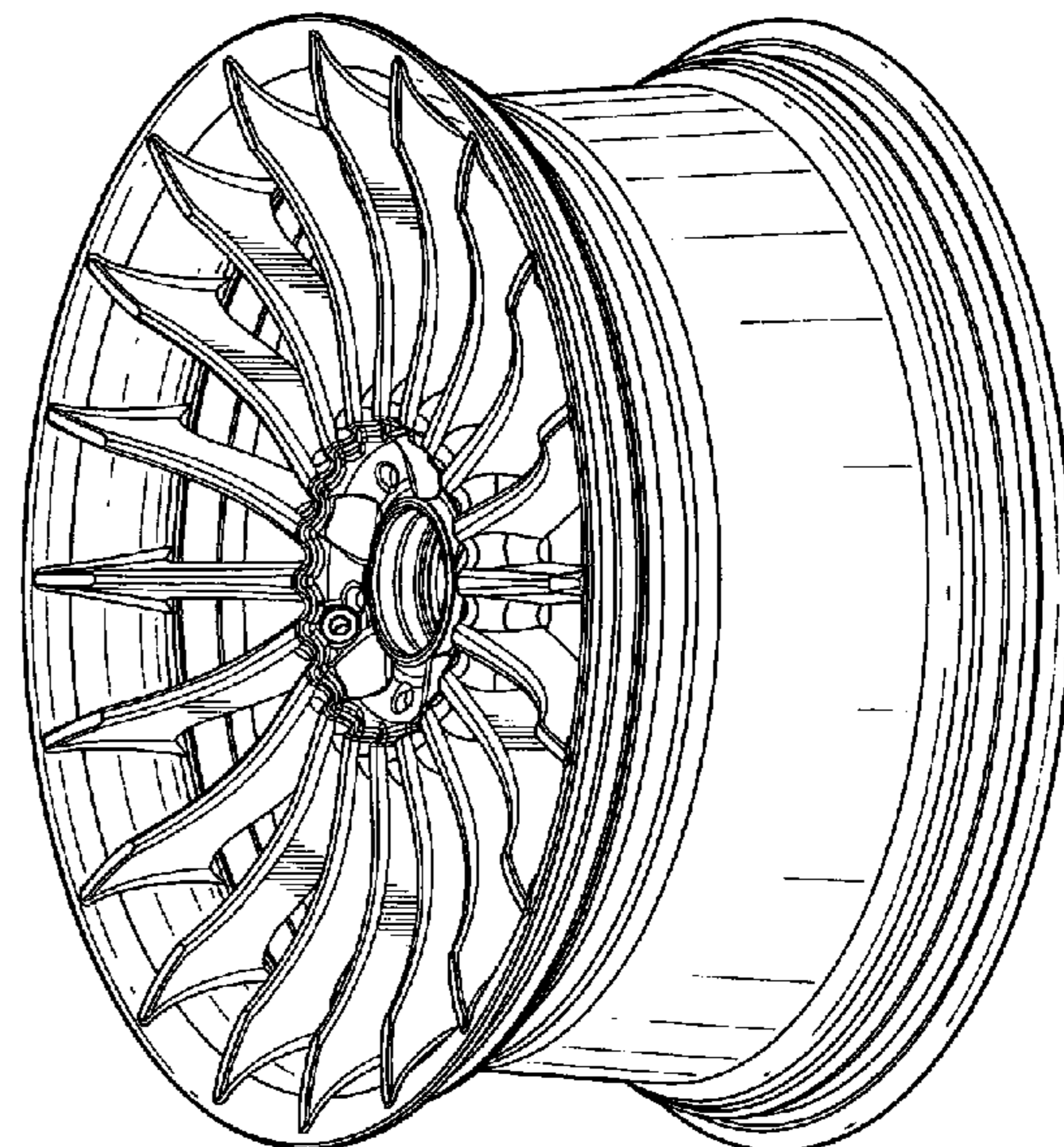
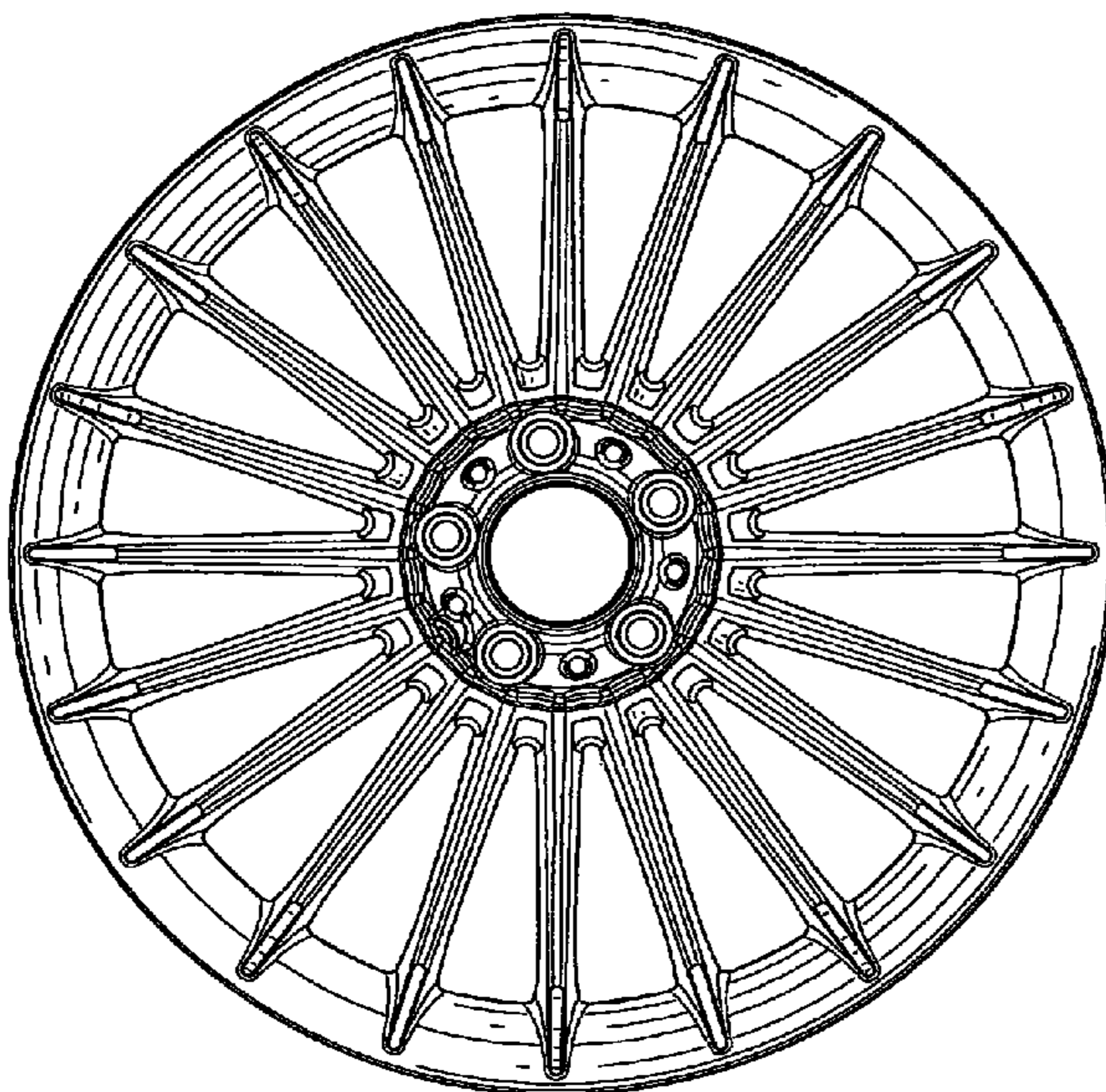
**DESCRIPTION**

FIG. 1 is a front elevational view of a wheel rim showing my new design;

FIG. 2 is a side elevational view thereof; and,

FIG. 3 is a front perspective view thereof.

**1 Claim, 3 Drawing Sheets**





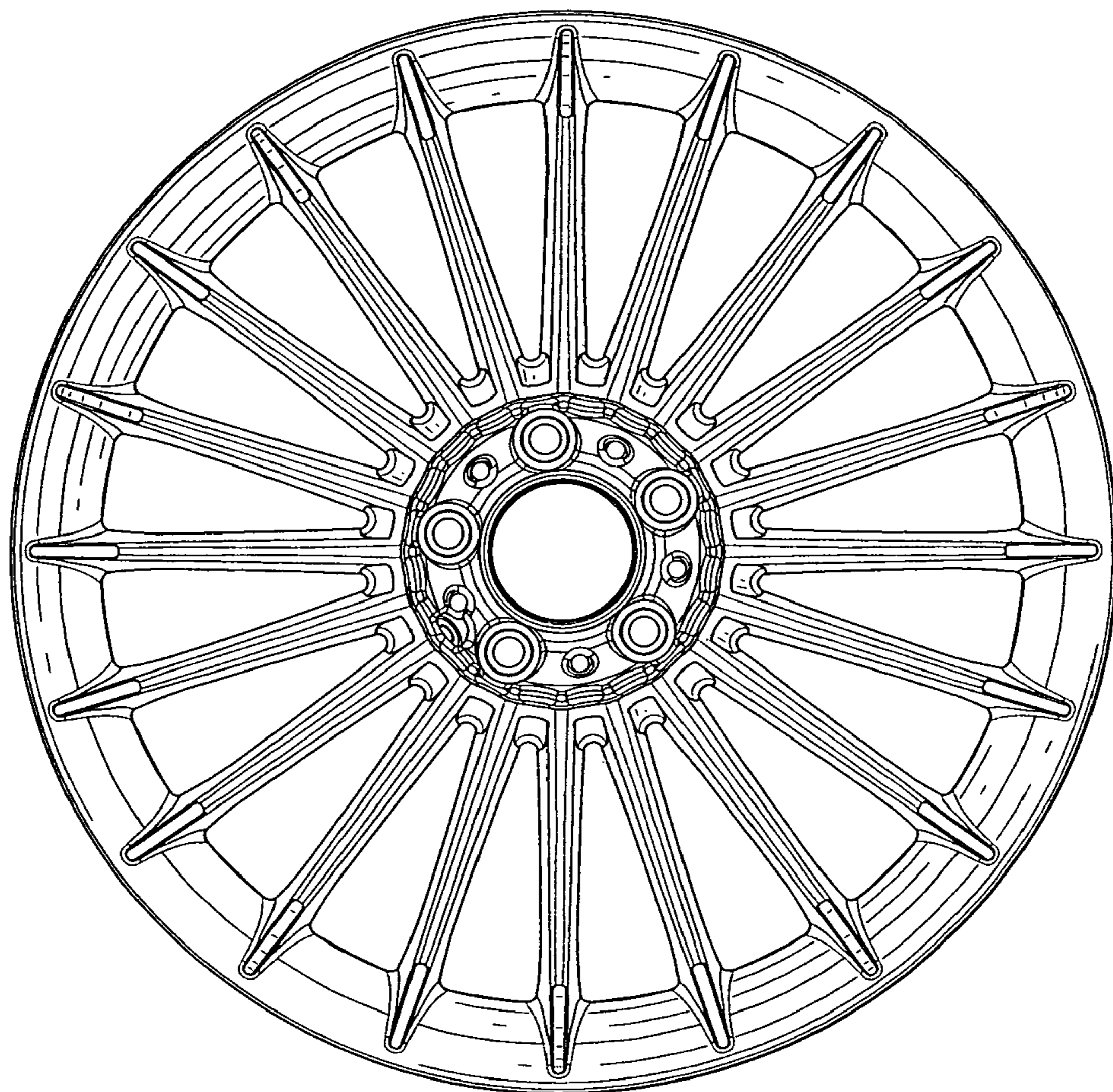


FIG. 1

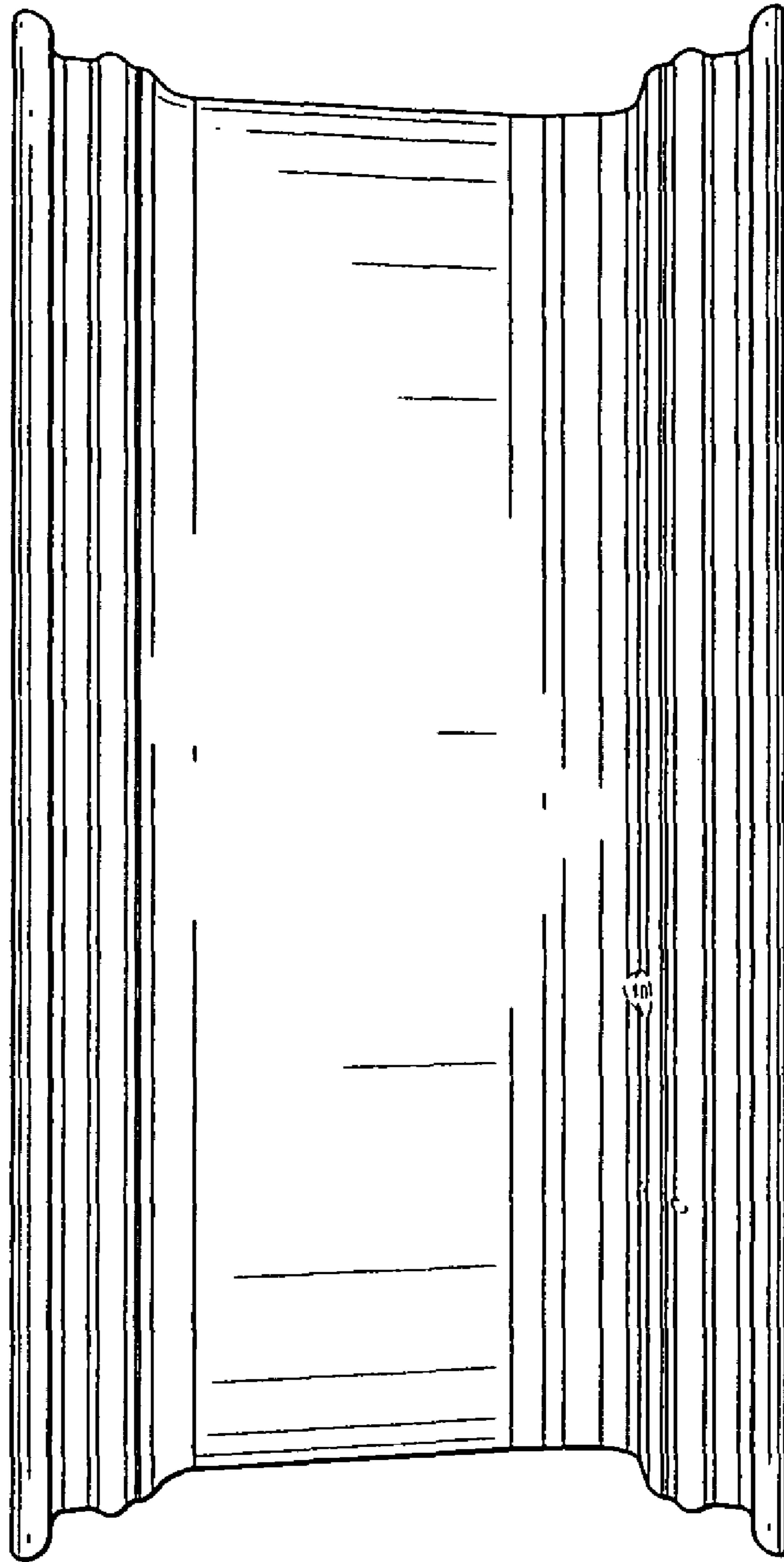


FIG. 2

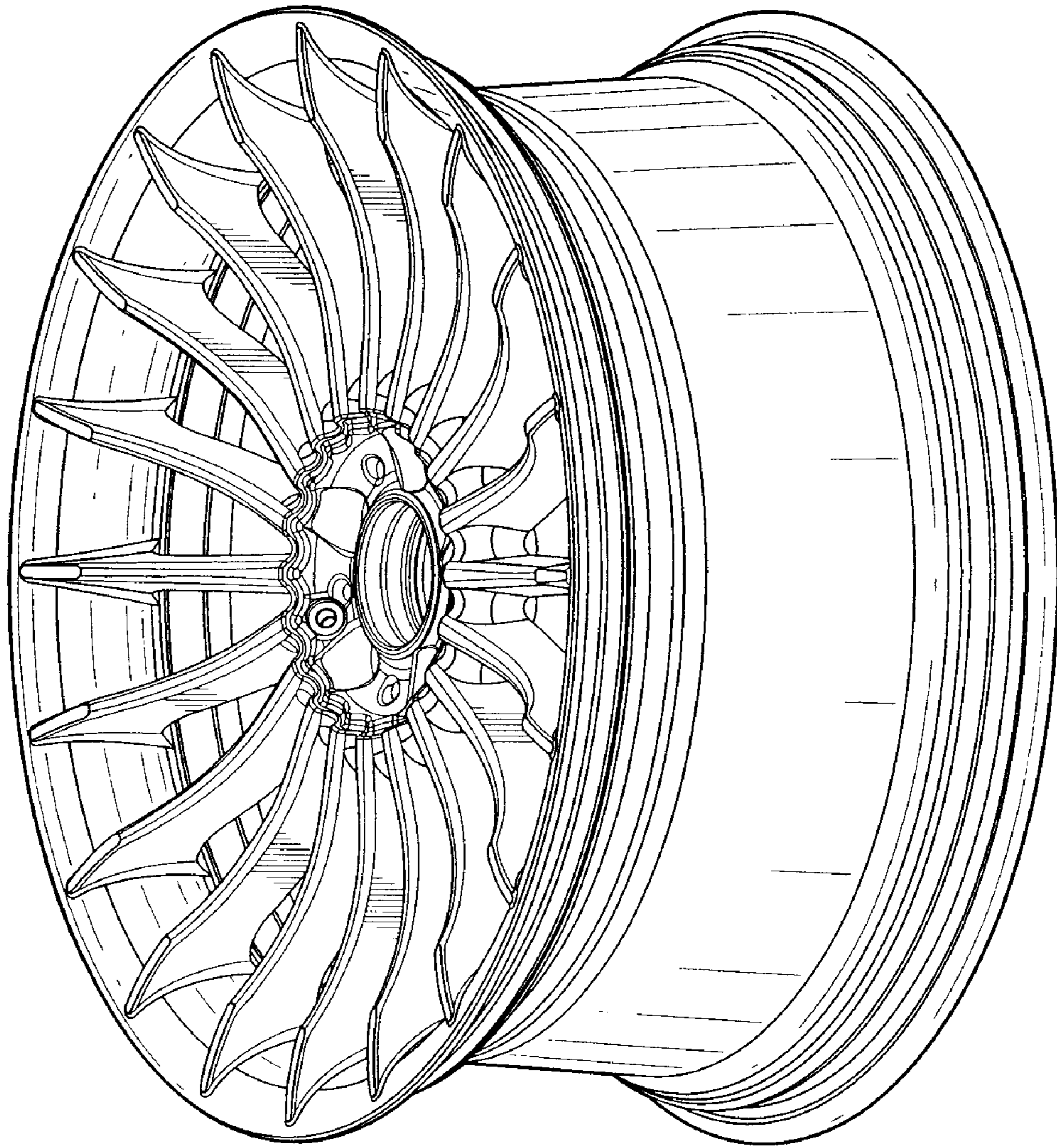


FIG. 3