



US00D634689S

(12) **United States Design Patent**  
**Futschik et al.**

(10) **Patent No.:** **US D634,689 S**

(45) **Date of Patent:** **\*\* \*Mar. 22, 2011**

(54) **WHEEL OR WHEEL COVER**

(75) Inventors: **Hans-Dieter Futschik**, Gechingen (DE);  
**Steffen Koehl**, Stuttgart (DE); **Frank**  
**Spoerle**, Leonberg (DE); **Gorden**  
**Wagener**, Stuttgart (DE)

(73) Assignee: **Daimler AG**, Stuttgart (DE)

(\*) Notice: This patent is subject to a terminal disclaimer.

(\*\*) Term: **14 Years**

(21) Appl. No.: **29/311,274**

(22) Filed: **Feb. 5, 2009**

(30) **Foreign Application Priority Data**

Aug. 6, 2008 (EM) ..... 000982780-0001

(51) **LOC (9) Cl.** ..... **12-16**

(52) **U.S. Cl.** ..... **D12/211**

(58) **Field of Classification Search** ..... D12/204-213;  
301/37.101, 64.101, 65, 64.201  
See application file for complete search history.

(56) **References Cited**

**U.S. PATENT DOCUMENTS**

D380,431 S \* 7/1997 Brown et al. .... D12/209  
D438,162 S \* 2/2001 Syring ..... D12/211

D454,327 S \* 3/2002 Bux ..... D12/211  
D499,685 S \* 12/2004 Schaefers ..... D12/211  
D502,677 S \* 3/2005 Baum ..... D12/209  
D517,970 S \* 3/2006 Pollmann ..... D12/209  
D590,313 S \* 4/2009 Baum ..... D12/209  
D590,318 S \* 4/2009 Theiss ..... D12/211  
D591,661 S \* 5/2009 Baum ..... D12/209  
D597,464 S \* 8/2009 Truebsbach ..... D12/211  
D603,318 S \* 11/2009 Luciani et al. .... D12/209  
D608,710 S \* 1/2010 Nissl ..... D12/209  
D613,658 S \* 4/2010 Cortes ..... D12/209  
D622,202 S \* 8/2010 Zhao ..... D12/211  
D625,676 S \* 10/2010 Baum ..... D12/209

\* cited by examiner

*Primary Examiner* — Stacia Cadmus

(74) *Attorney, Agent, or Firm* — Crowell & Moring LLP

(57) **CLAIM**

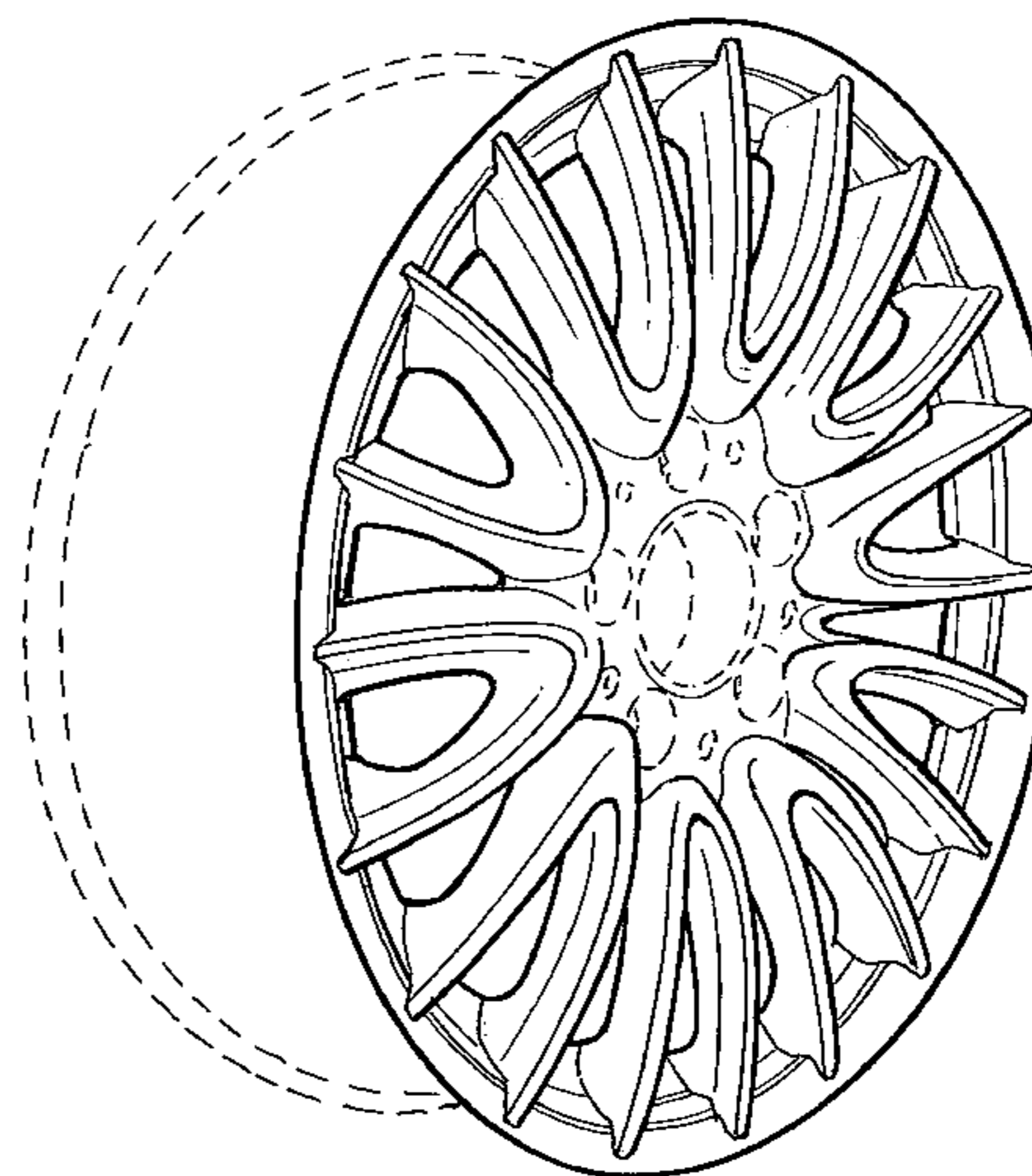
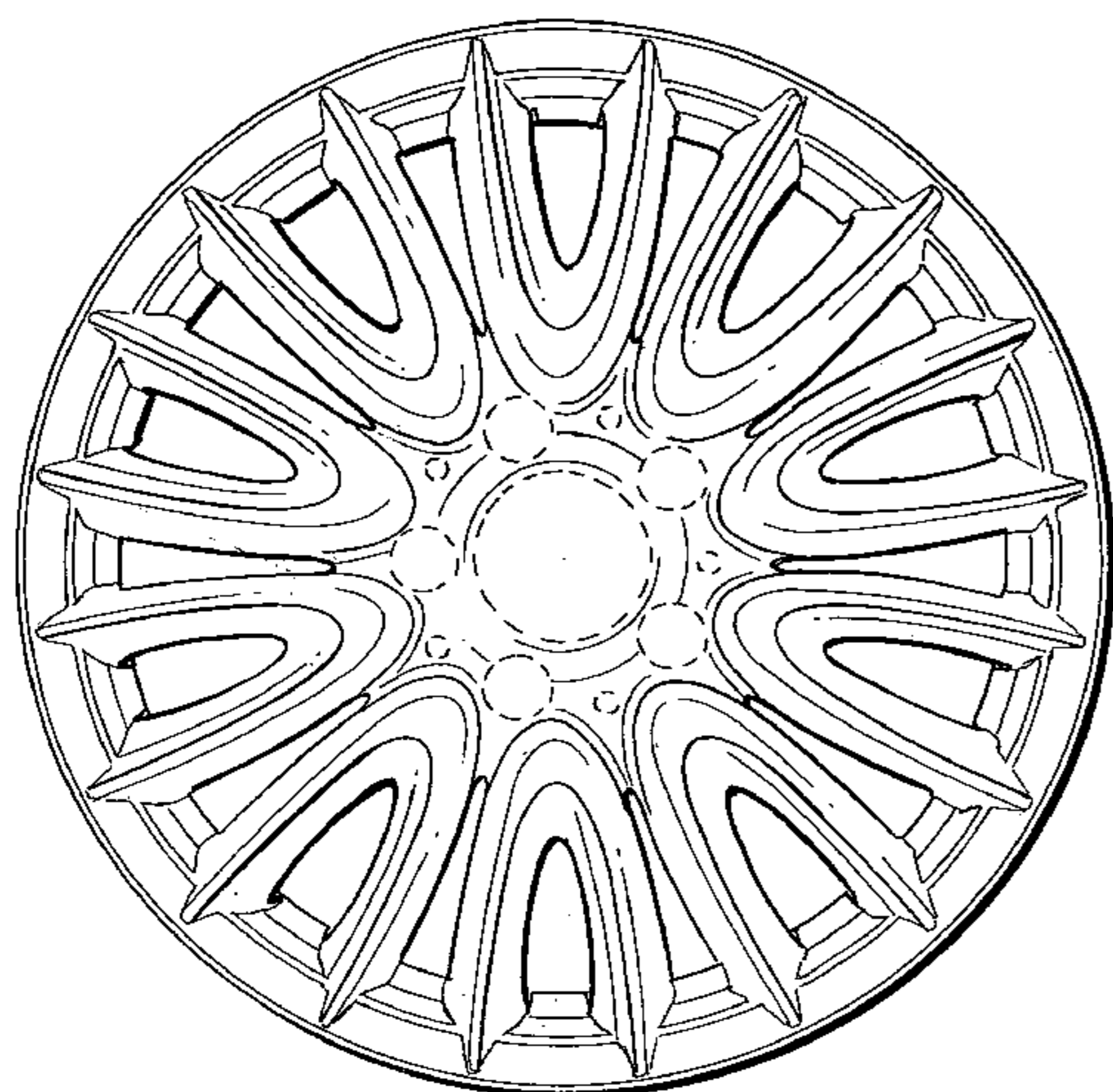
The ornamental design for a wheel or wheel cover, as shown and described.

**DESCRIPTION**

FIG. 1 is a front view of a wheel or wheel cover according to our novel design; and, FIG. 2 is a perspective view thereof.

The broken line showing of the rear of the rim, the bolt holes and center hole in the central hub area is included for the purpose of illustrating environment and forms no part of the claimed design.

**1 Claim, 1 Drawing Sheet**



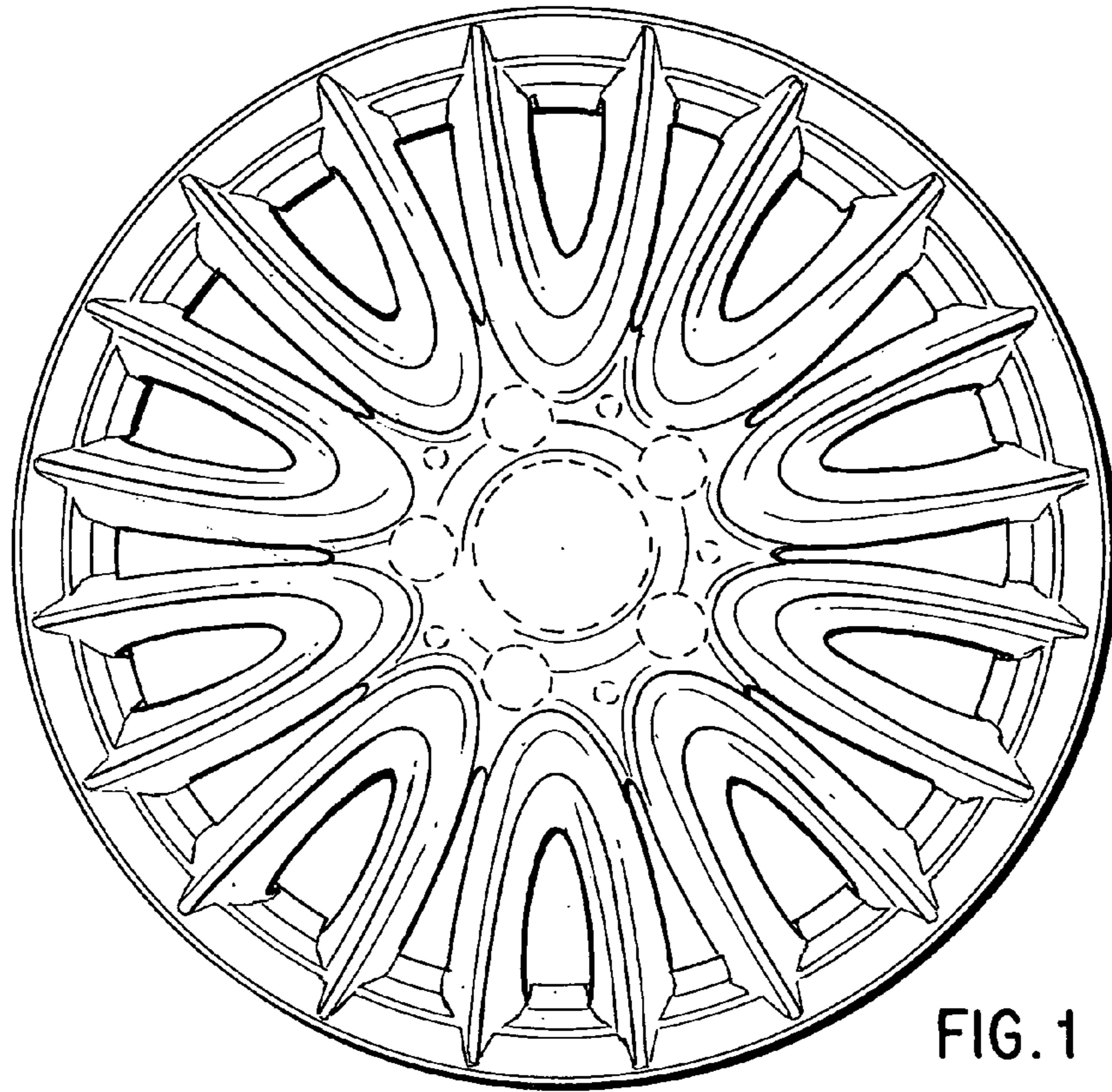


FIG. 1

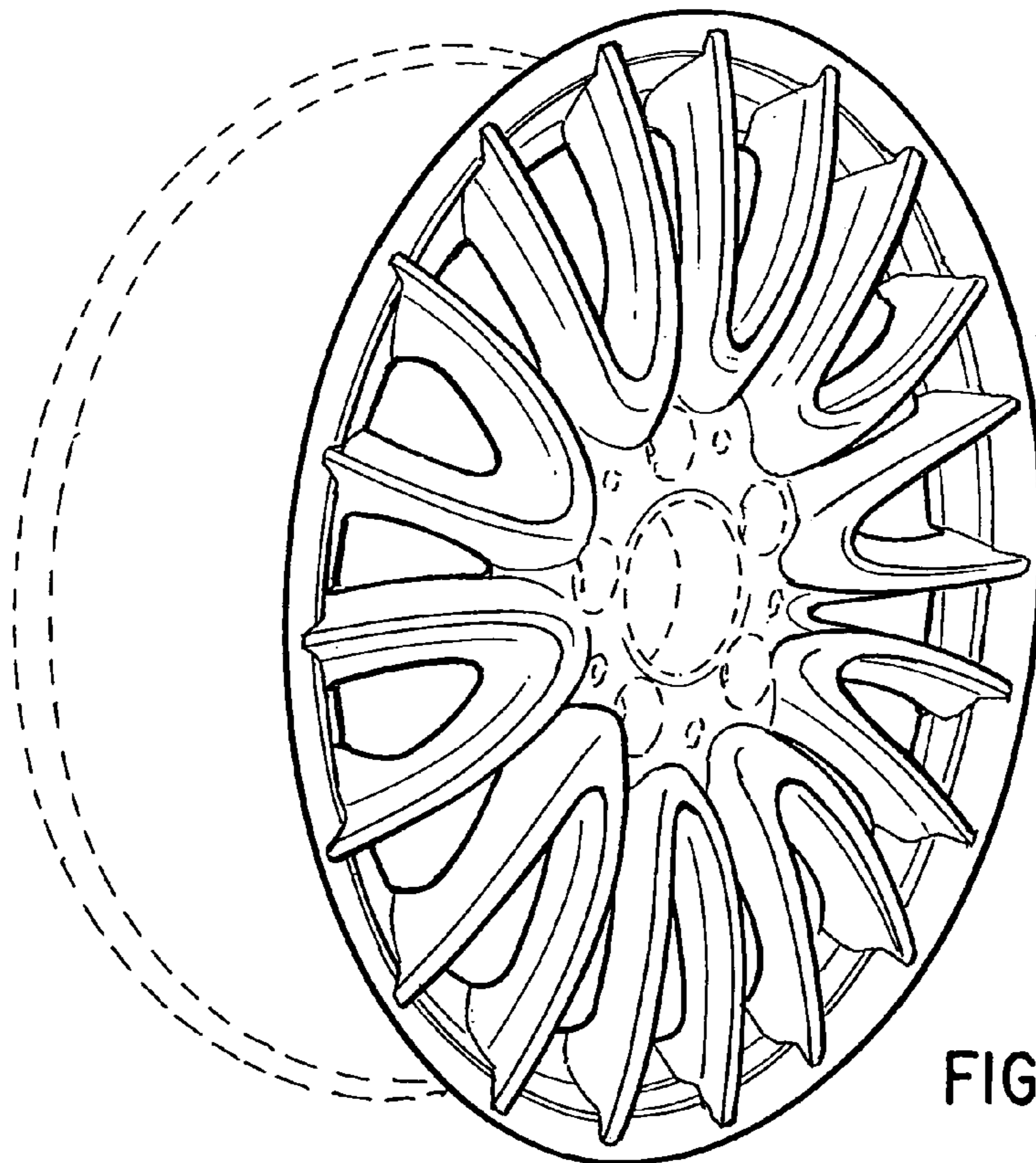


FIG. 2