



US00D634688S

(12) **United States Design Patent**
Saracoglu

(10) **Patent No.:** **US D634,688 S**
(45) **Date of Patent:** **** Mar. 22, 2011**

(54) **WHEEL FOR MOTOR VEHICLE**

(75) Inventor: **Hakan Saracoglu**, Stuttgart (DE)

(73) Assignee: **Dr. Ing. h.c. F. Porsche**
Aktiengesellschaft, Stuttgart (DE)

(**) Term: **14 Years**

(21) Appl. No.: **29/367,820**

(22) Filed: **Aug. 13, 2010**

(30) **Foreign Application Priority Data**

Feb. 16, 2010 (EM) 001196141

(51) **LOC (9) Cl.** **12-16**

(52) **U.S. Cl.** **D12/209**

(58) **Field of Classification Search** D12/204-213;
301/37.101, 64.101, 65, 64.201

See application file for complete search history.

(56) **References Cited**

U.S. PATENT DOCUMENTS

D451,467 S *	12/2001	Chung	D12/211
D546,262 S *	7/2007	Arora	D12/209
D576,535 S *	9/2008	Chung	D12/209
D579,846 S *	11/2008	Chung	D12/209
D600,187 S *	9/2009	Chung	D12/211
D620,418 S *	7/2010	Borkert	D12/209
D620,863 S *	8/2010	Groom	D12/209

* cited by examiner

Primary Examiner — Stacia Cadmus

(74) *Attorney, Agent, or Firm* — RatnerPrestia

(57) **CLAIM**

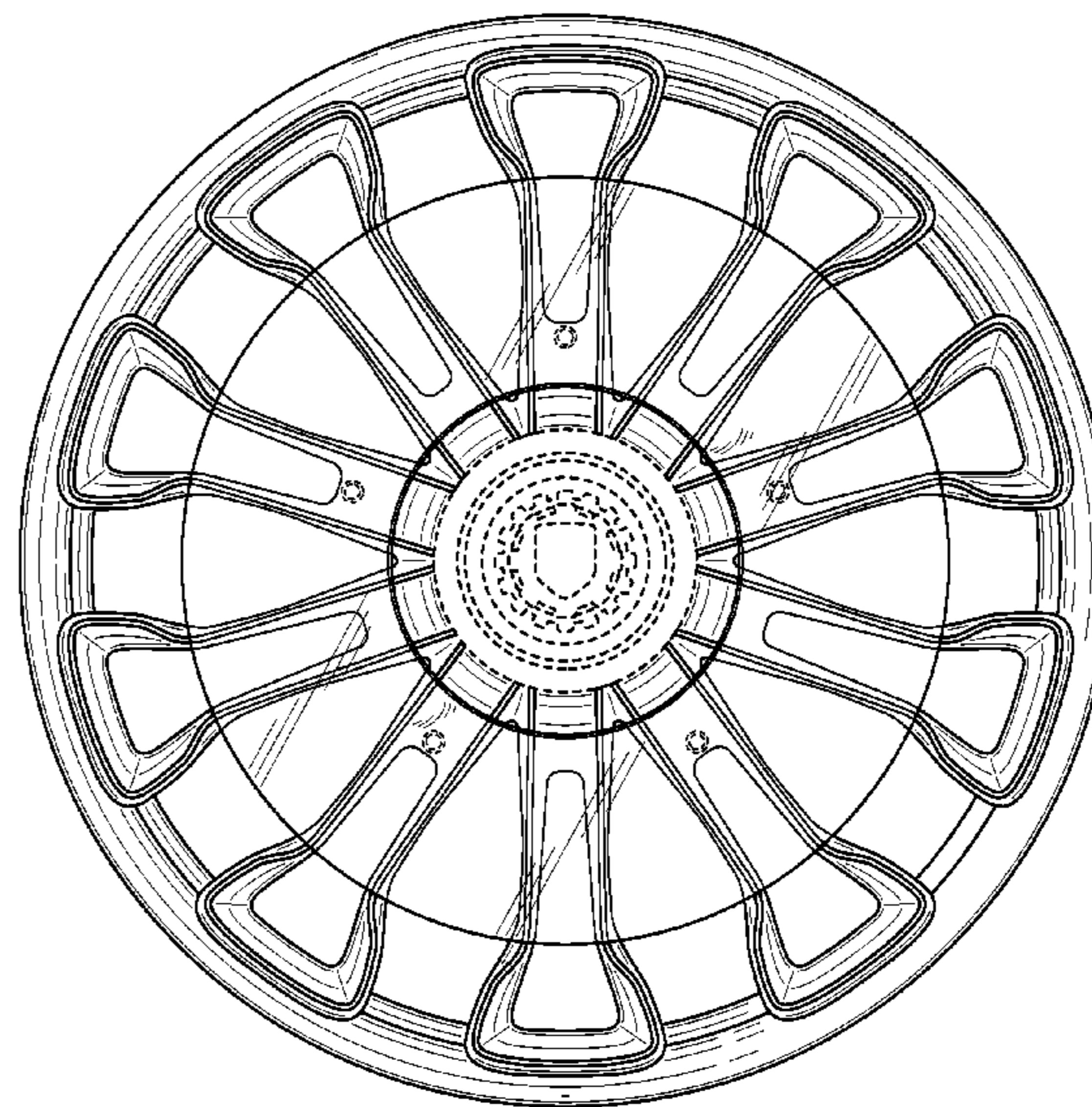
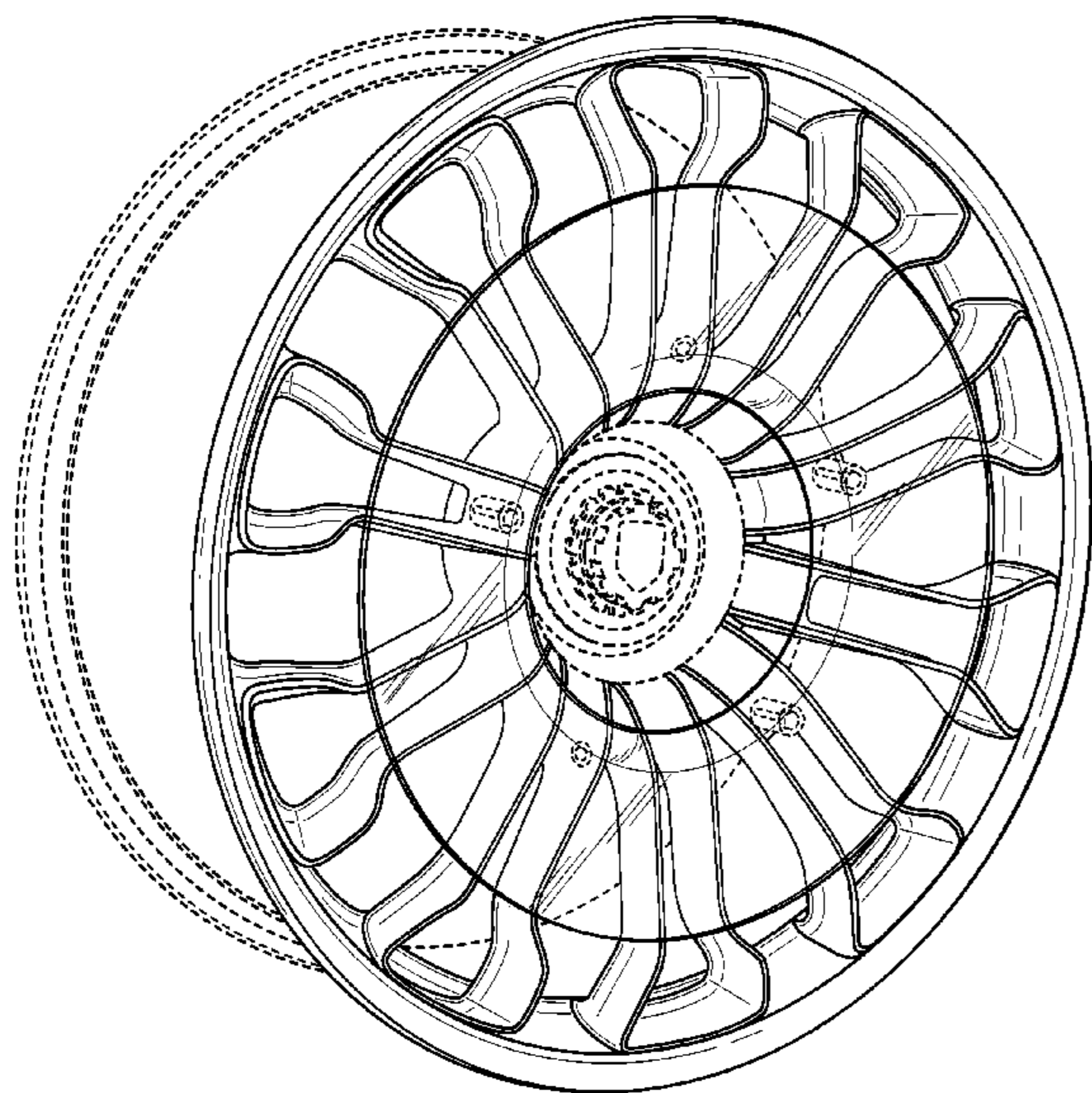
The ornamental design for a wheel for a motor vehicle, as shown and described.

DESCRIPTION

FIG. 1 is a perspective view of a wheel for a motor vehicle; FIG. 2 is a front elevation view of the wheel; FIG. 3 is a side elevation view of the wheel; and, FIG. 4 is a bottom plan view of the wheel.

The broken lines are for illustration purposes only and form no part of the claimed design.

1 Claim, 4 Drawing Sheets



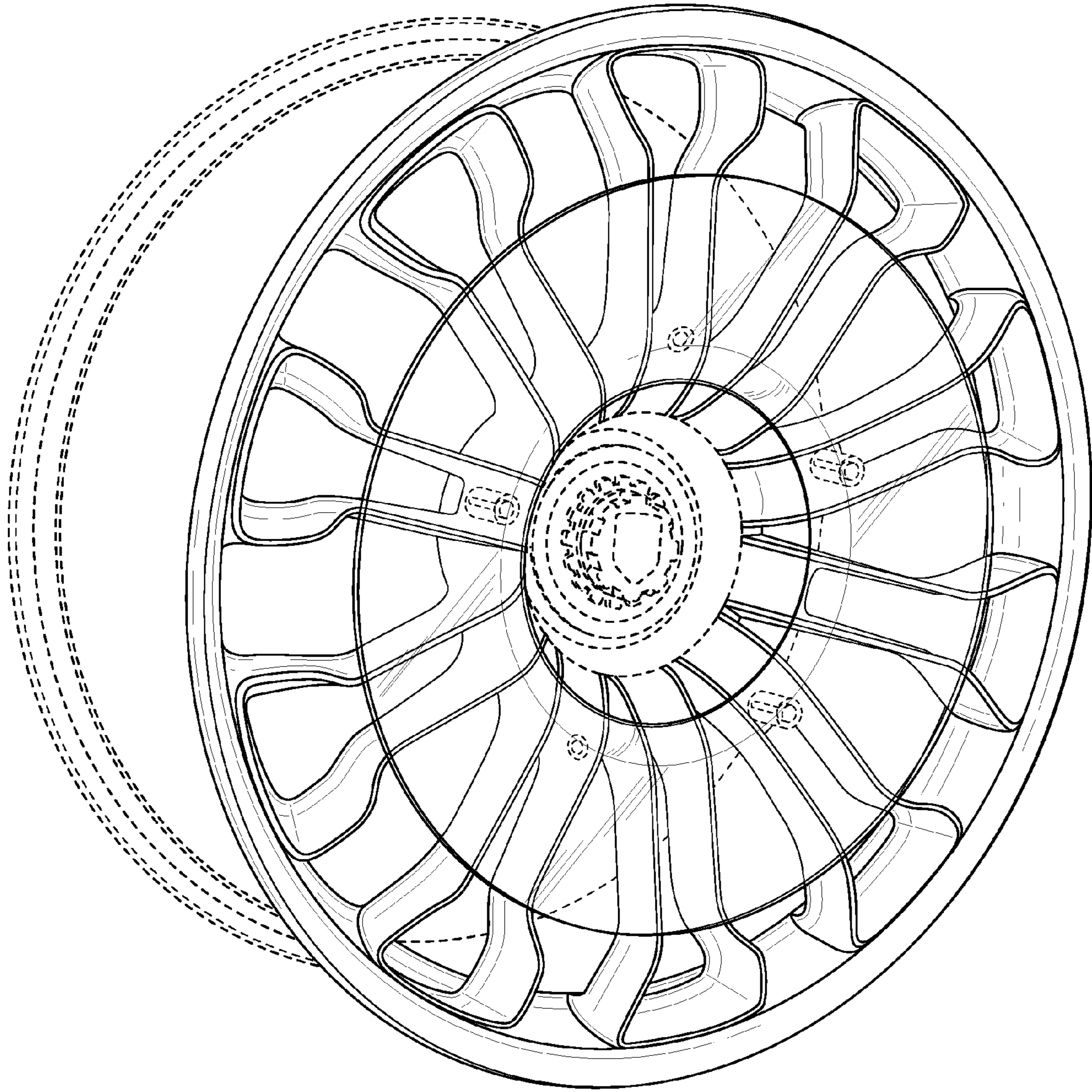


FIG. 1

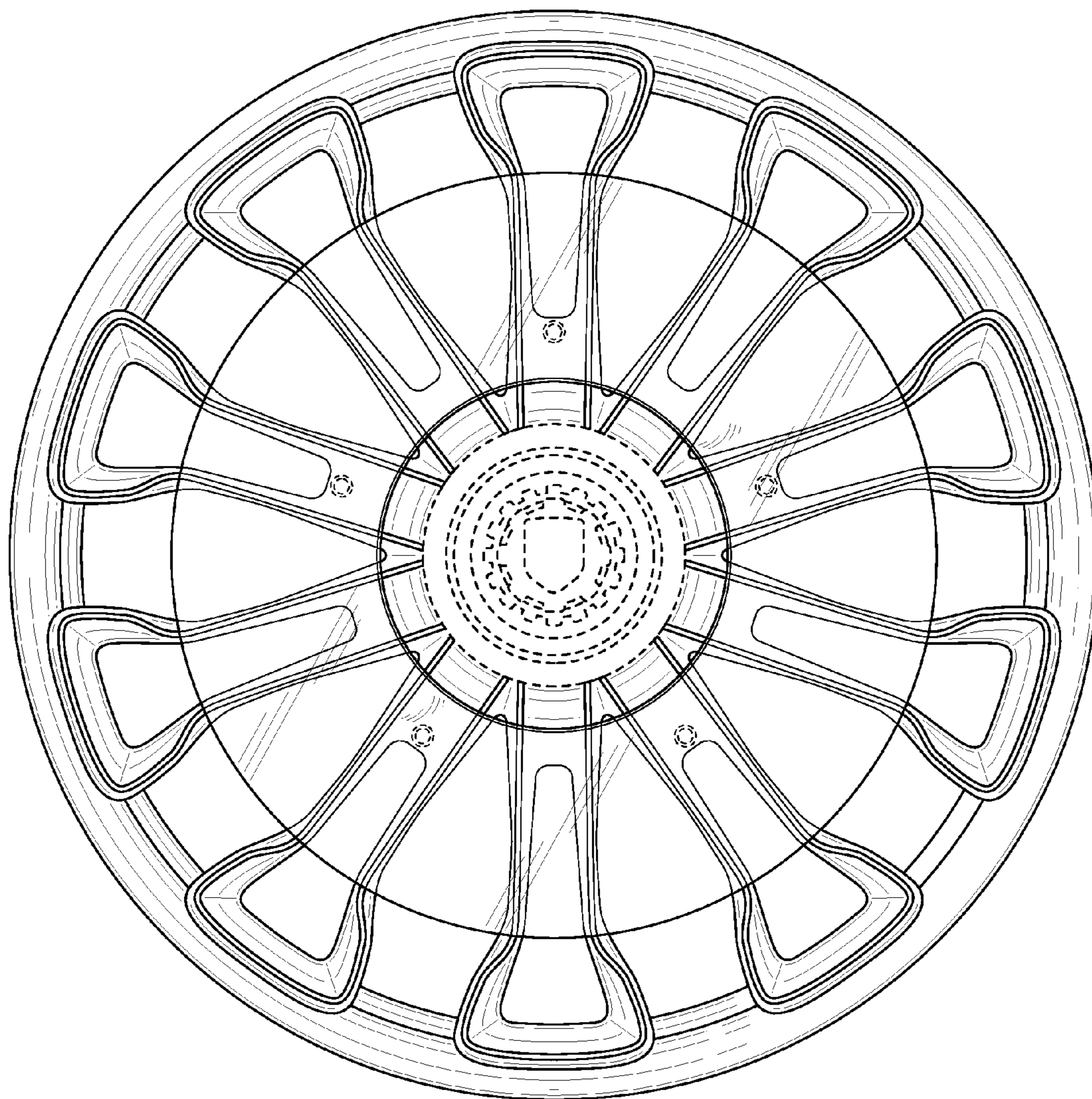


FIG. 2

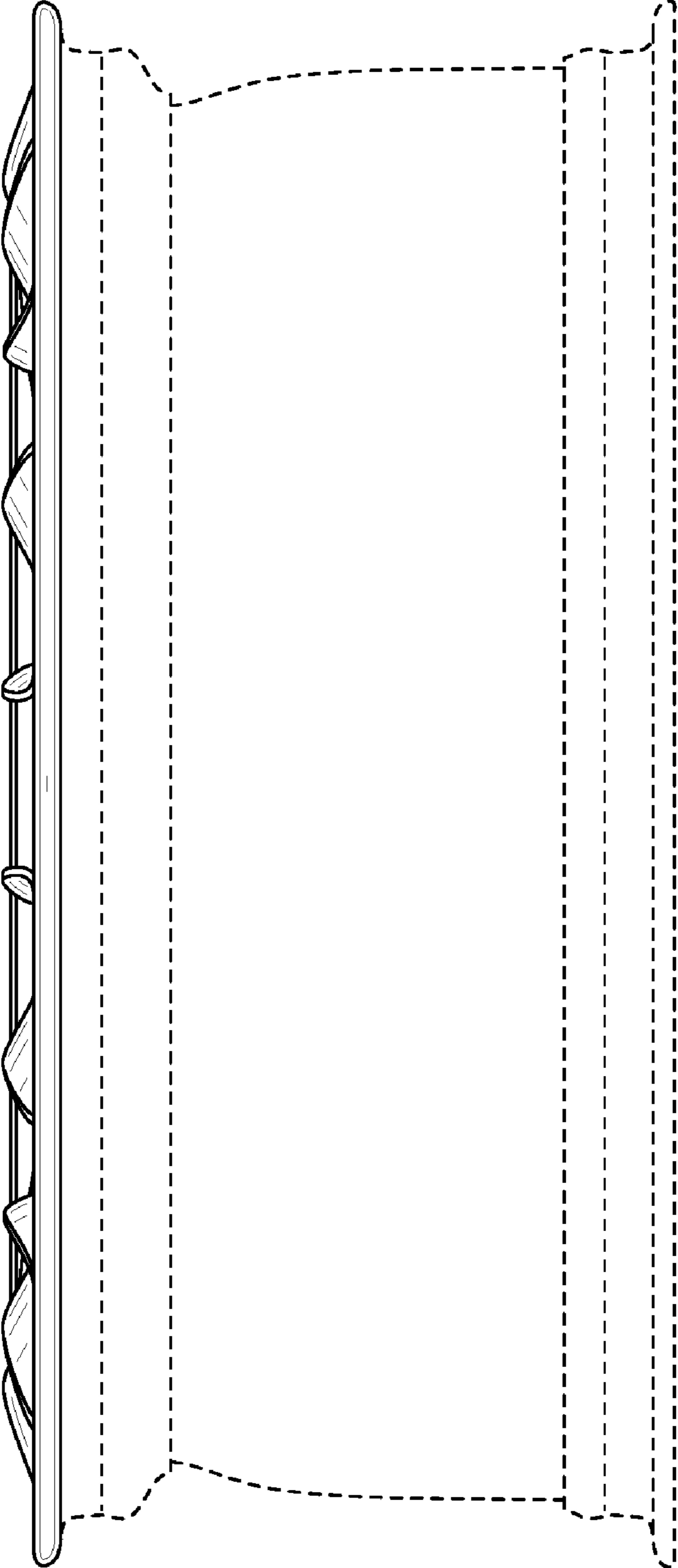


FIG. 3

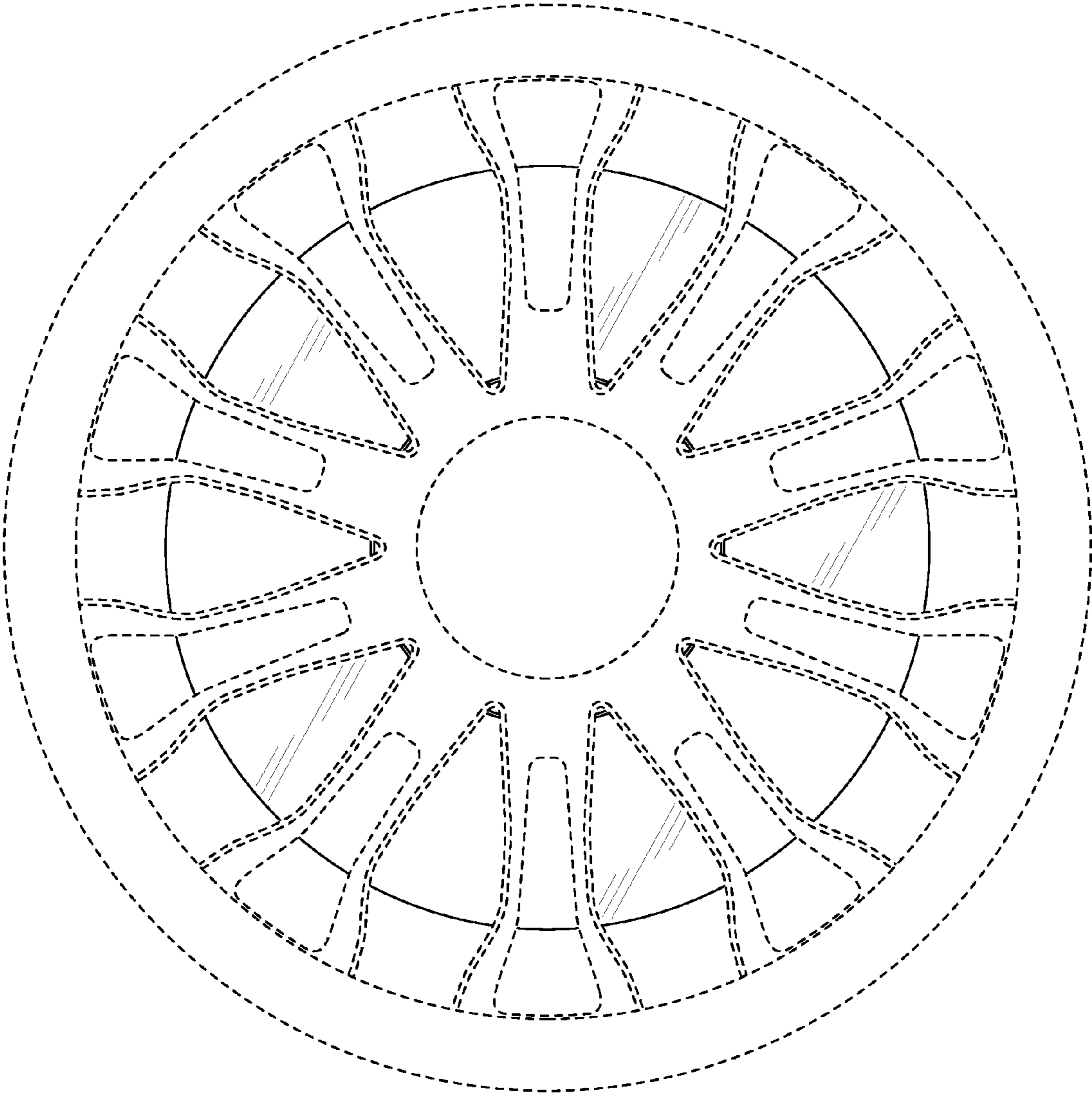


FIG. 4