



US00D634685S

(12) **United States Design Patent**
Sakae

(10) **Patent No.:** **US D634,685 S**

(45) **Date of Patent:** **** Mar. 22, 2011**

(54) **EXHAUST PIPE MEMBER**

(75) Inventor: **Akira Sakae**, Kobe (JP)

(73) Assignee: **Kobe Steel, Ltd.**, Kobe-shi (JP)

(**) Term: **14 Years**

(21) Appl. No.: **29/368,173**

(22) Filed: **Aug. 19, 2010**

(51) **LOC (9) Cl.** **12-16**

(52) **U.S. Cl.** **D12/194**

(58) **Field of Classification Search** D15/5;
D12/194, 114; 123/198 E, 306, 308, 184.21,
123/184.34, 184.53, 184.56, 184.42, 184.57;
55/337, 385.3, 385.5, 498-502; 60/299,
60/302, 312; 181/227-228, 282; D23/266;
D25/125, 120, 141; 138/38

See application file for complete search history.

(56) **References Cited**

U.S. PATENT DOCUMENTS

343,025	A *	6/1886	Gordon et al.	285/399
D22,271	S *	3/1893	Ruxton	D8/376
D27,998	S *	12/1897	Wright	D25/106
1,692,529	A *	11/1928	Zagorski	29/745
D88,666	S *	12/1932	Morse	D23/266
2,099,126	A *	11/1937	Larsen	156/256
2,140,157	A *	12/1938	Huffman	38/90
2,205,899	A *	6/1940	Chipley	181/269
D165,057	S *	11/1951	Deremer	D12/194
2,871,899	A *	2/1959	Coyle et al.	81/177.1
2,968,321	A *	1/1961	Kahn	138/122
3,102,740	A *	9/1963	Plummer	285/47
3,267,563	A *	8/1966	Seaton	29/890.036
3,439,586	A *	4/1969	Holtan et al.	92/169.1
3,487,673	A *	1/1970	House	72/282
3,605,137	A *	9/1971	Stollenwerk	5/625
3,713,958	A *	1/1973	McCracken	428/38
3,720,235	A *	3/1973	Schrock	138/137
3,739,459	A *	6/1973	Otani	228/145

3,780,469	A *	12/1973	Hancovsky	446/127
4,060,920	A *	12/1977	Edwards	40/618
D257,047	S *	9/1980	Stenersen	D20/41
4,662,143	A *	5/1987	Gebelius	52/745.17
4,688,890	A *	8/1987	DeMeo et al.	385/134
5,048,572	A *	9/1991	Levine	138/121
5,437,311	A *	8/1995	Reynolds	138/115
5,518,151	A *	5/1996	Knickerbocker	222/382

(Continued)

FOREIGN PATENT DOCUMENTS

AO 2-180400 7/1990

Primary Examiner — Celia A Murphy

Assistant Examiner — John Windmuller

(74) *Attorney, Agent, or Firm* — Oblon, Spivak,
McClelland, Maier & Neustadt, L.L.P.

(57) **CLAIM**

The ornamental design for an exhaust pipe member, as shown and described.

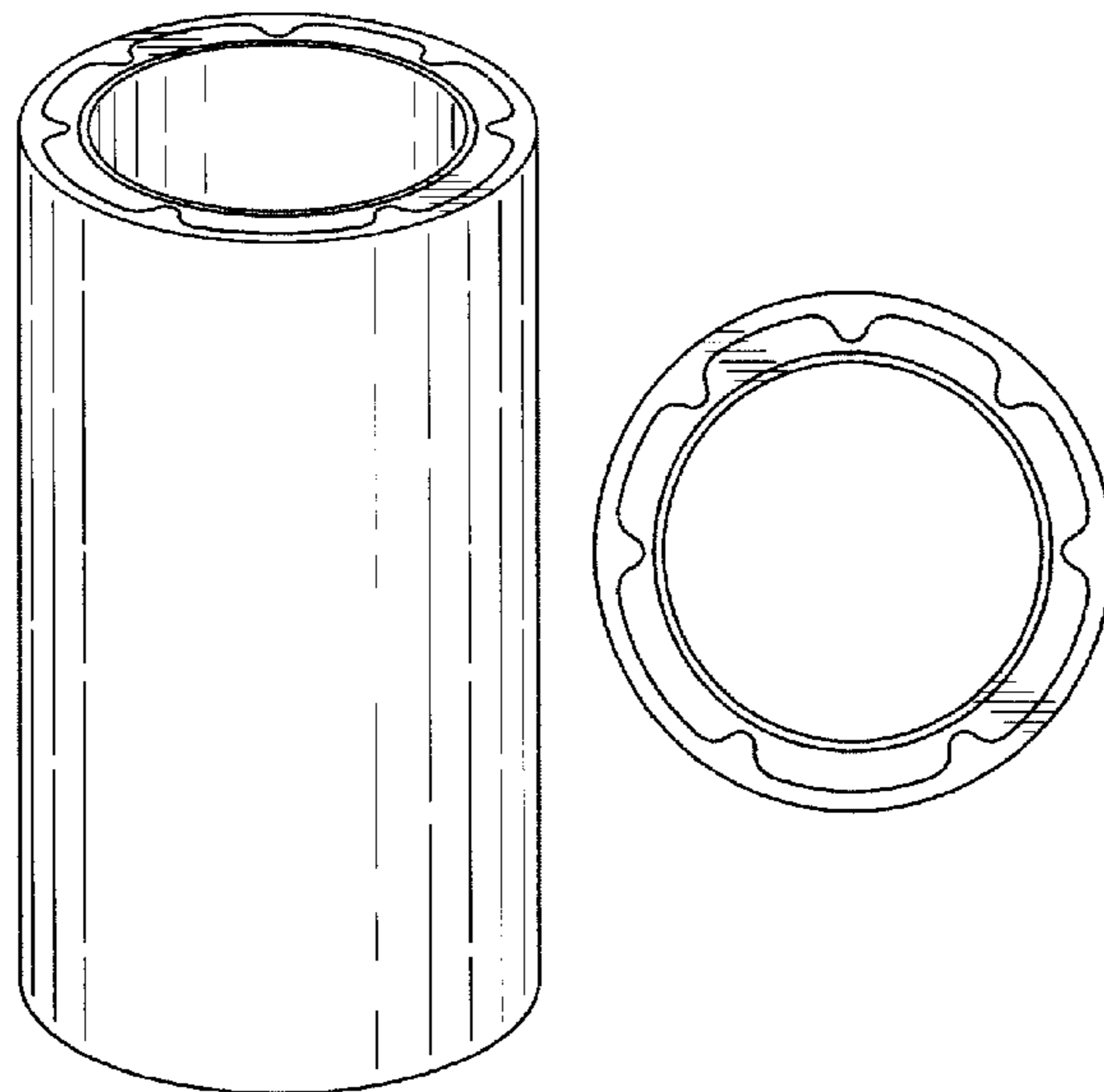
DESCRIPTION

FIG. 1 is a perspective view of an exhaust pipe member; FIG. 2 is a front elevational view thereof; FIG. 3 is a plan view thereof; FIG. 4 is a left side elevational view thereof; and, FIG. 5 is a sectional view taken along the line 5—5 in FIG. 3. The rear view, the bottom view, and the right side view are the same as the front view, the plan view, and the left side view, respectively.

In FIG. 5, only the innermost and outermost circles are part of the claimed design. The area in broken lines between them forms no part of the claimed design.

The article to which the design is applied relates to an exhaust pipe member that is mainly used for releasing exhaust gas emitted from an internal combustion engine such as an automotive engine to the rear of the body of an automobile.

1 Claim, 3 Drawing Sheets



US D634,685 S

Page 2

U.S. PATENT DOCUMENTS

5,682,925	A *	11/1997	Seckel	138/118	6,892,852	B2 *	5/2005	Klein	181/227
5,765,596	A *	6/1998	LaHaye et al.	138/38	6,892,855	B2 *	5/2005	Warmenhoven	181/282
5,902,656	A *	5/1999	Hwang	428/36.91	7,044,266	B2 *	5/2006	Petracek	181/269
6,070,657	A *	6/2000	Kunkel	165/158	7,219,699	B2 *	5/2007	Yoshino	138/121
D445,170	S *	7/2001	Speicher	D23/266	7,322,379	B2 *	1/2008	Evans	138/114
D454,386	S *	3/2002	Speicher	D23/266	D612,464	S *	3/2010	Weisel	D23/266
6,659,135	B2 *	12/2003	Sorkin	138/121	2005/0031894	A1 *	2/2005	Klos et al.	428/659
6,827,173	B2 *	12/2004	Lai	180/309						

* cited by examiner

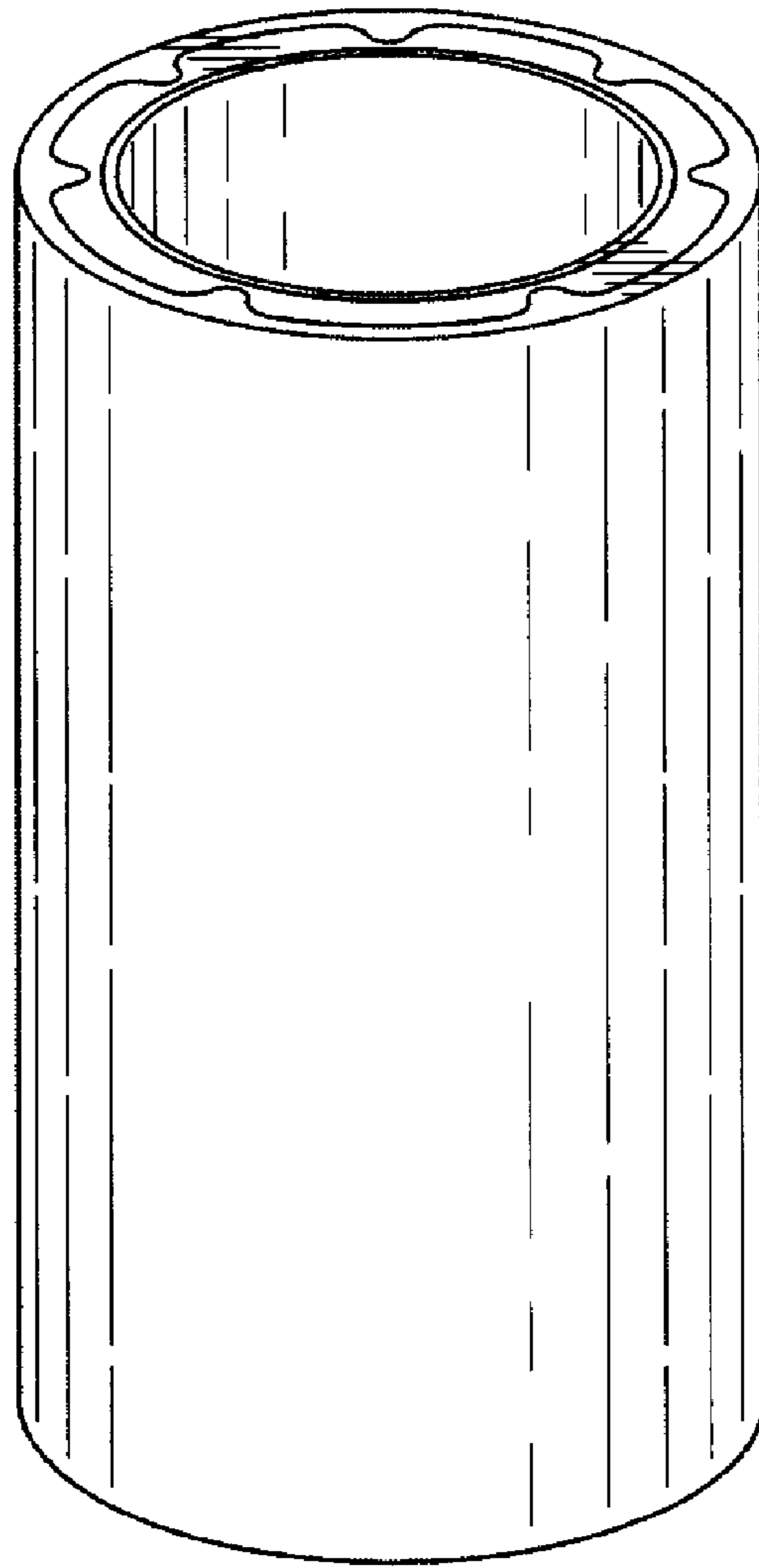


FIG. 1

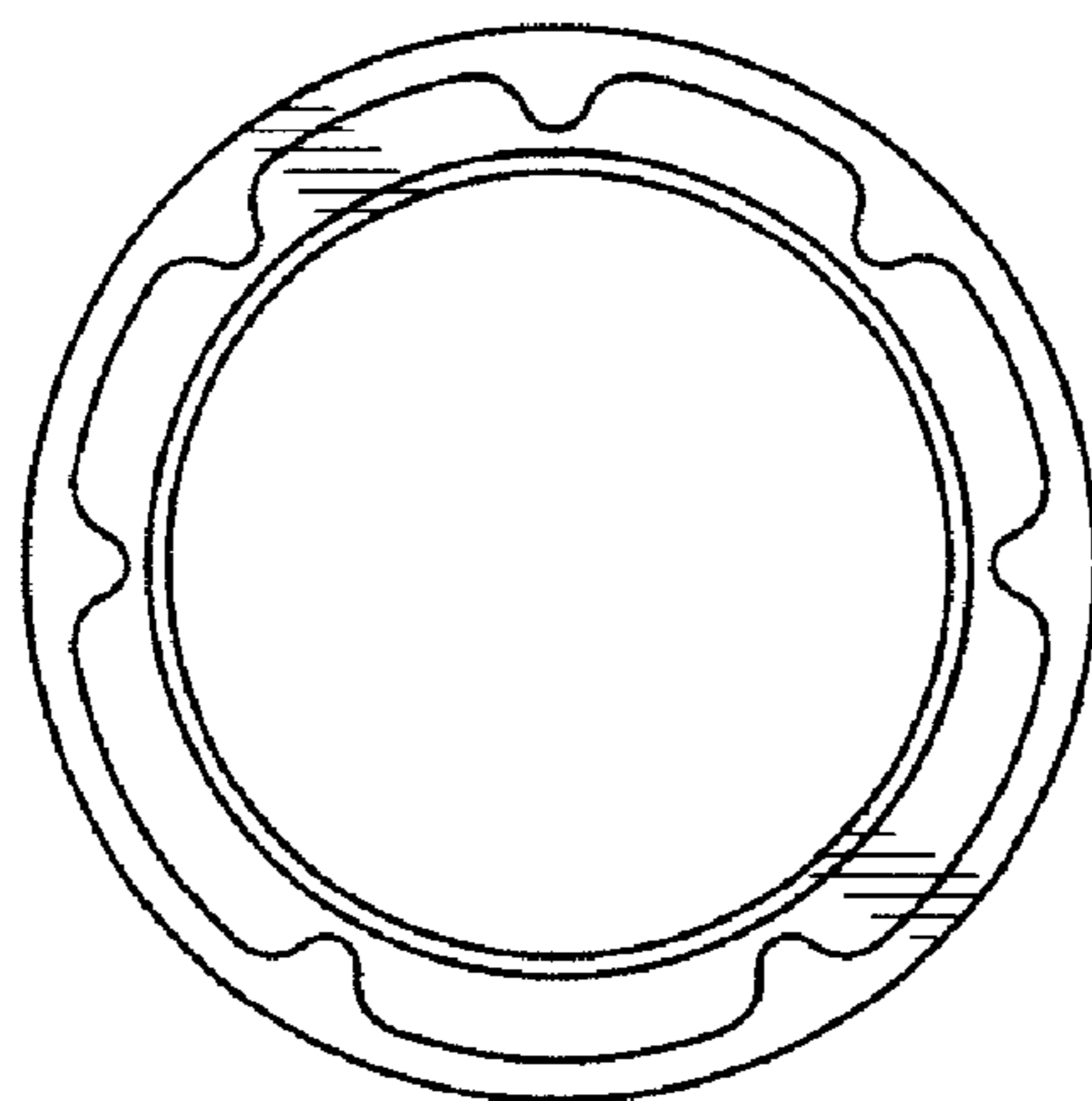


FIG. 2

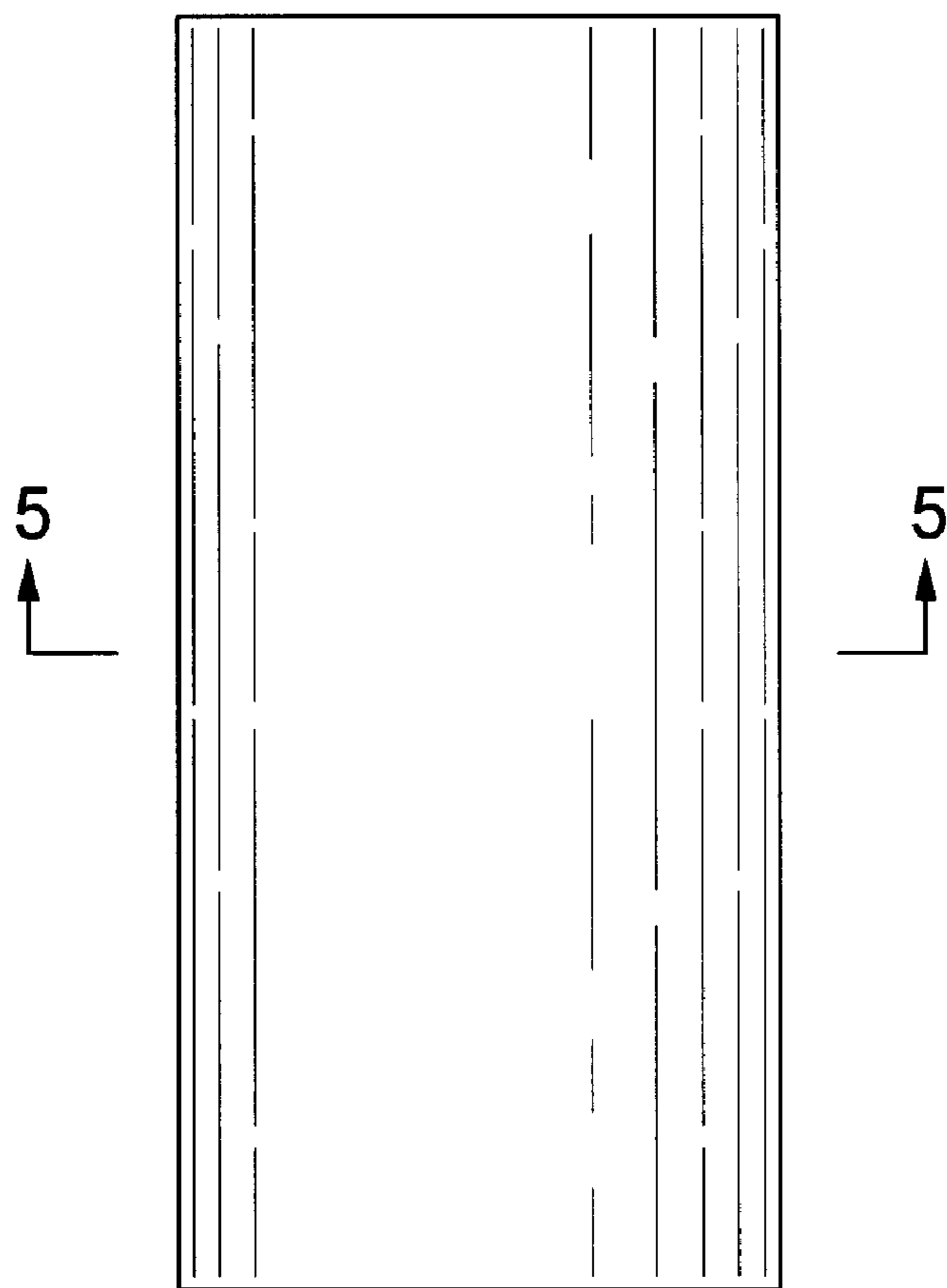


FIG. 3

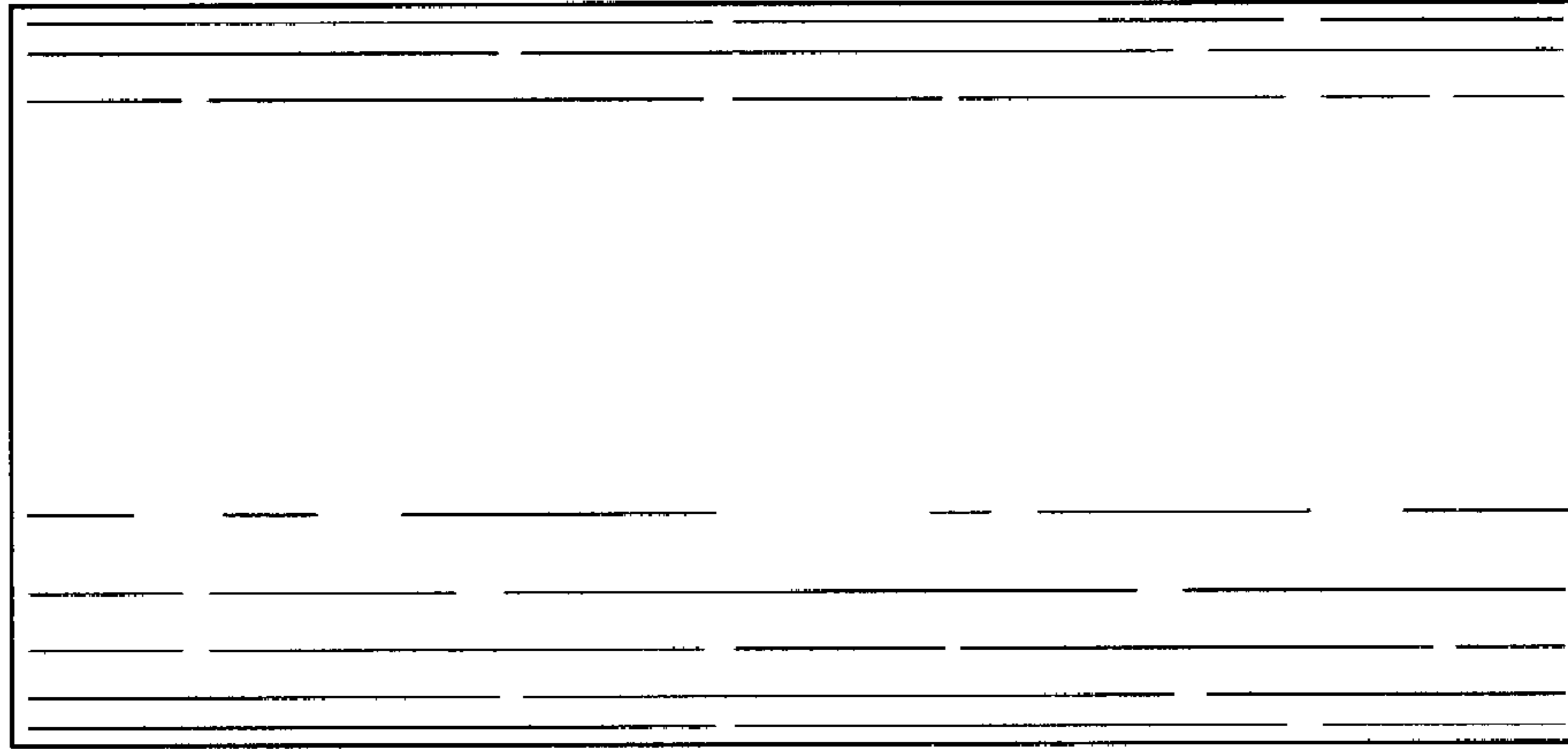


FIG. 4

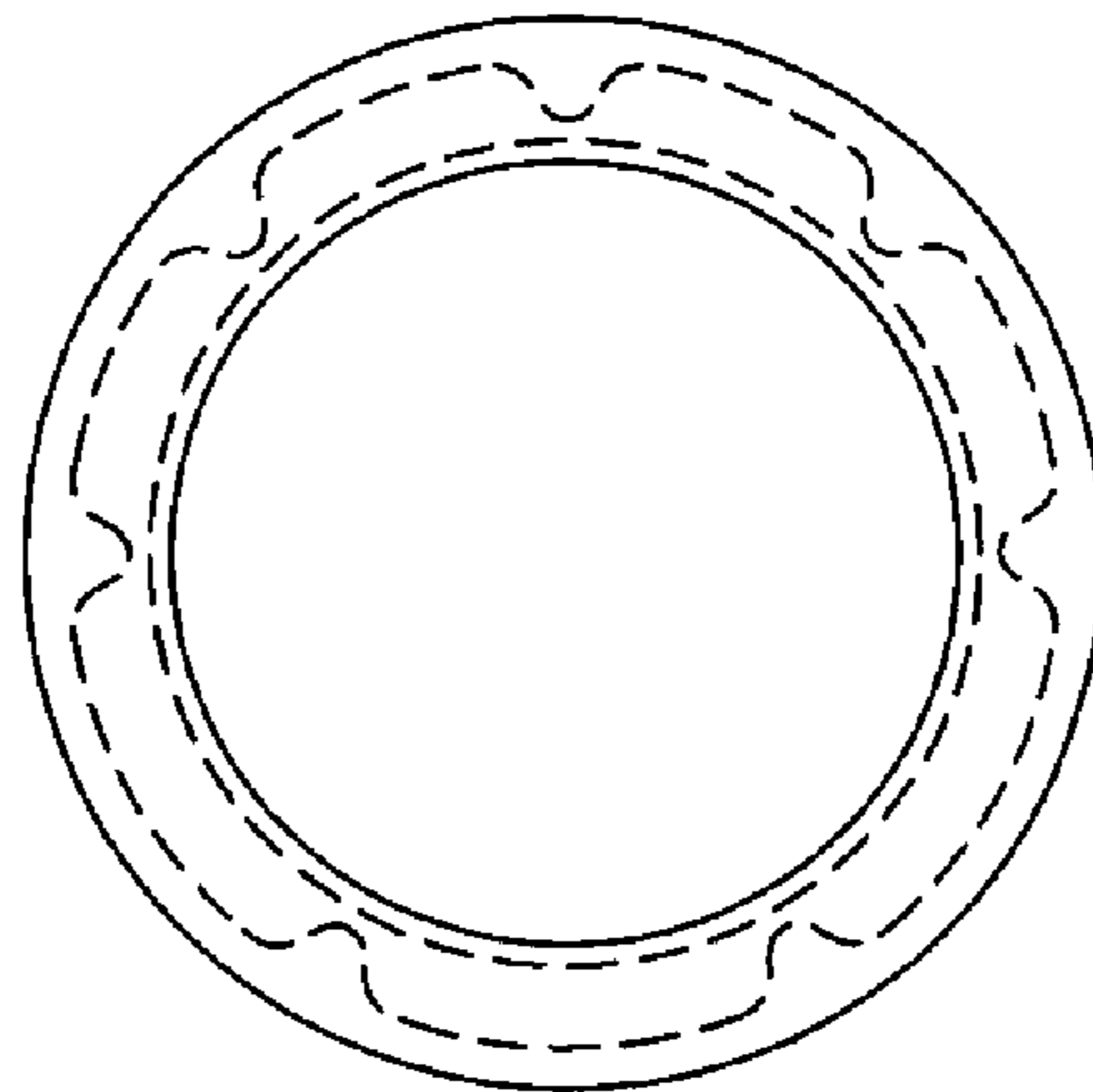


FIG. 5