



US00D634677S

(12) **United States Design Patent**
Futschik et al.

(10) **Patent No.:** **US D634,677 S**
(45) **Date of Patent:** **** Mar. 22, 2011**

(54) **REAR END OF A VEHICLE, TOY REPLICA
AND/OR OTHER REPLICAS**

D596,079 S * 7/2009 Pfeiffer et al. D12/92
D601,455 S * 10/2009 Pfeiffer et al. D12/92
D627,273 S * 11/2010 Bauer et al. D12/164

* cited by examiner

(75) Inventors: **Hans-Dieter Futschik**, Gechingen (DE);
Steffen Koehl, Stuttgart (DE); **Hubert
Lee**, Irvine, CA (US); **Gorden Wagener**,
Stuttgart (DE)

Primary Examiner — Melody N Brown

(74) *Attorney, Agent, or Firm* — Crowell & Moring LLP

(73) Assignee: **Daimler AG**, Stuttgart (DE)

(57) **CLAIM**

The ornamental design for a rear end of a vehicle, toy replica
and/or other replicas, as shown and described.

(**) Term: **14 Years**

DESCRIPTION

(21) Appl. No.: **29/311,620**

This application contains subject matter related to the follow-
ing co- pending U.S. applications:

(22) Filed: **May 1, 2009**

Application Ser. No. 29/311,118, filed Dec. 23, 2008 and
entitled "Taillight for a Vehicle"; and

(51) **LOC (9) Cl.** **12-16**

Application Ser. No. 29/311,619, filed May 1, 2009 and
entitled "Vehicle and Vehicle Shaped Articles".

(52) **U.S. Cl.** **D12/164**

(58) **Field of Classification Search** D12/164,
D12/196, 90-92, 86; 296/181.1, 181.5
See application file for complete search history.

FIG. 1 is a left, front perspective view of a rear end of a
vehicle, toy replica and/or other replicas according to our
novel design, the right, front perspective view being mirror
symmetrical;

FIG. 2 is a front view thereof;

FIG. 3 is a left side view thereof, the right side being mirror
symmetrical; and,

FIG. 4 is a top view thereof.

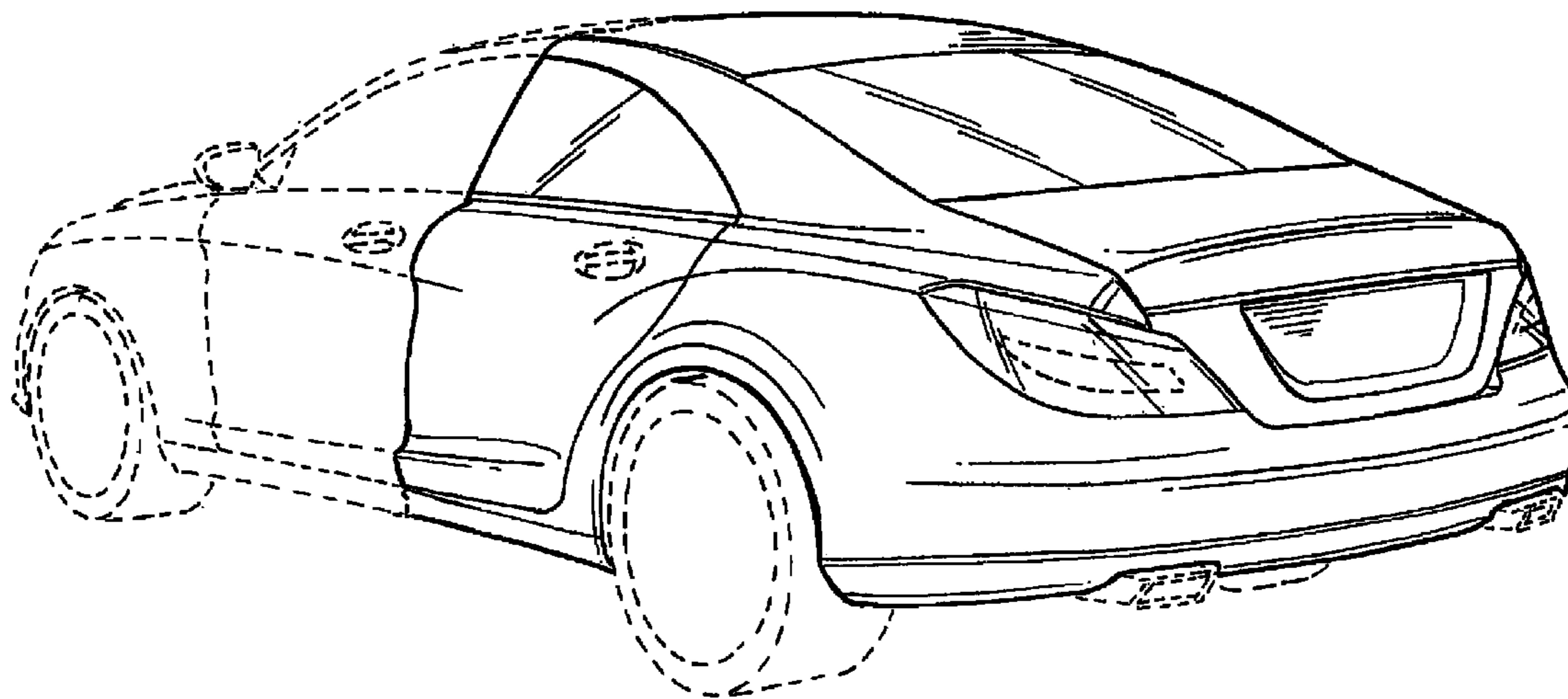
The broken lines are for illustrative purposes only and form
no part of the claimed design.

(56) **References Cited**

U.S. PATENT DOCUMENTS

D499,358 S 12/2004 Pfeiffer
D569,768 S * 5/2008 Bauer et al. D12/92
D588,499 S * 3/2009 Pfeiffer D12/92
D596,078 S * 7/2009 Pfeiffer et al. D12/92

1 Claim, 3 Drawing Sheets



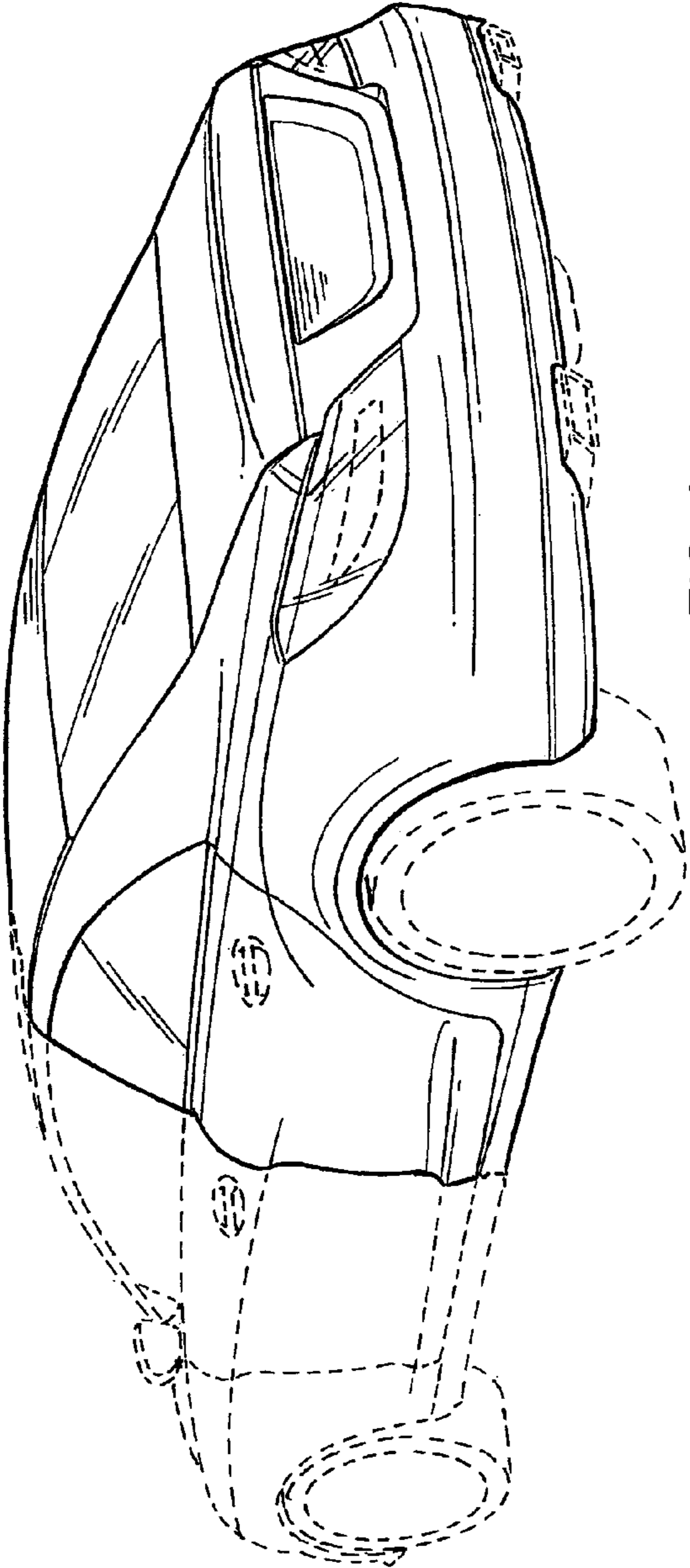


FIG. 1

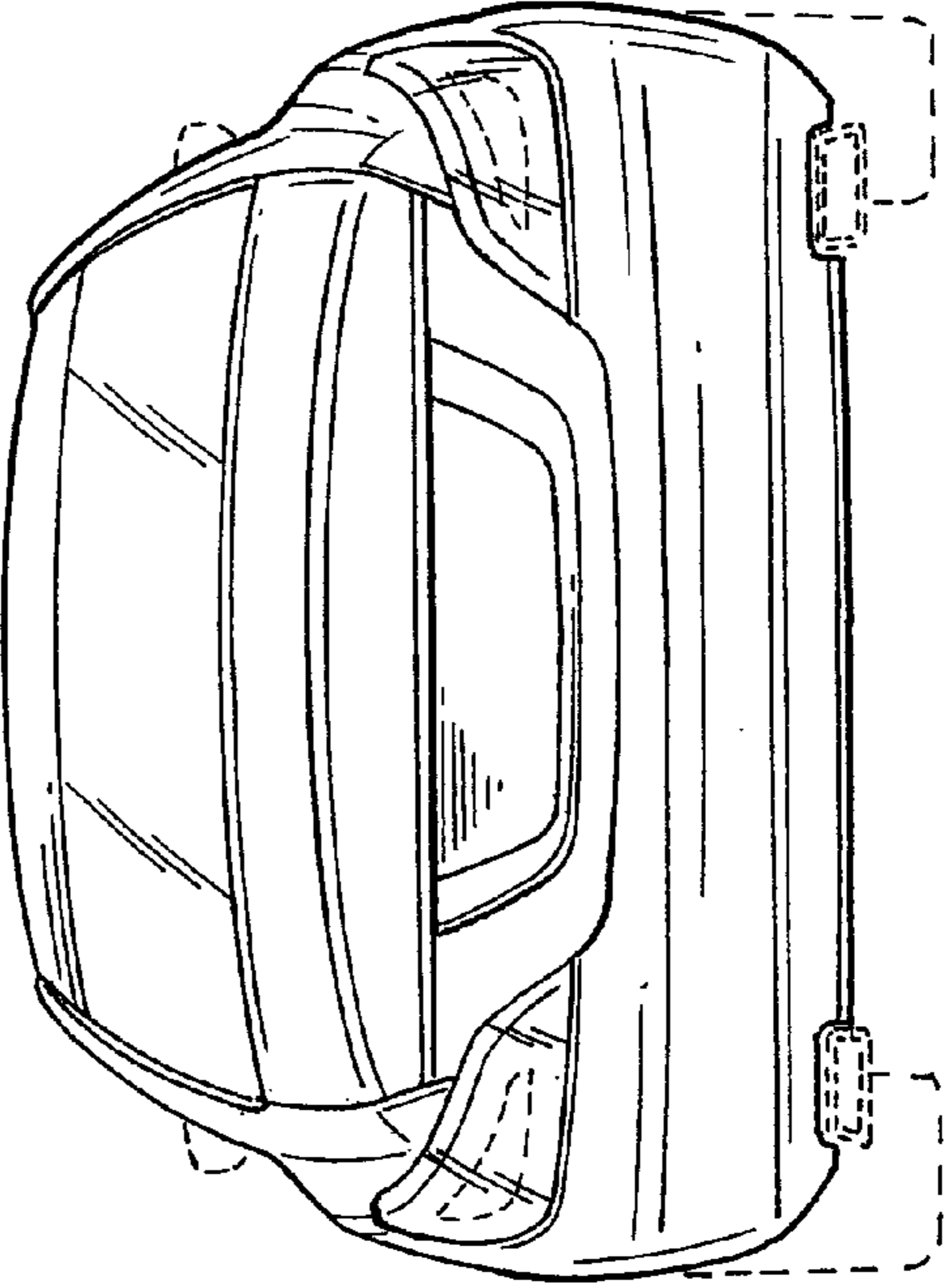


FIG. 2

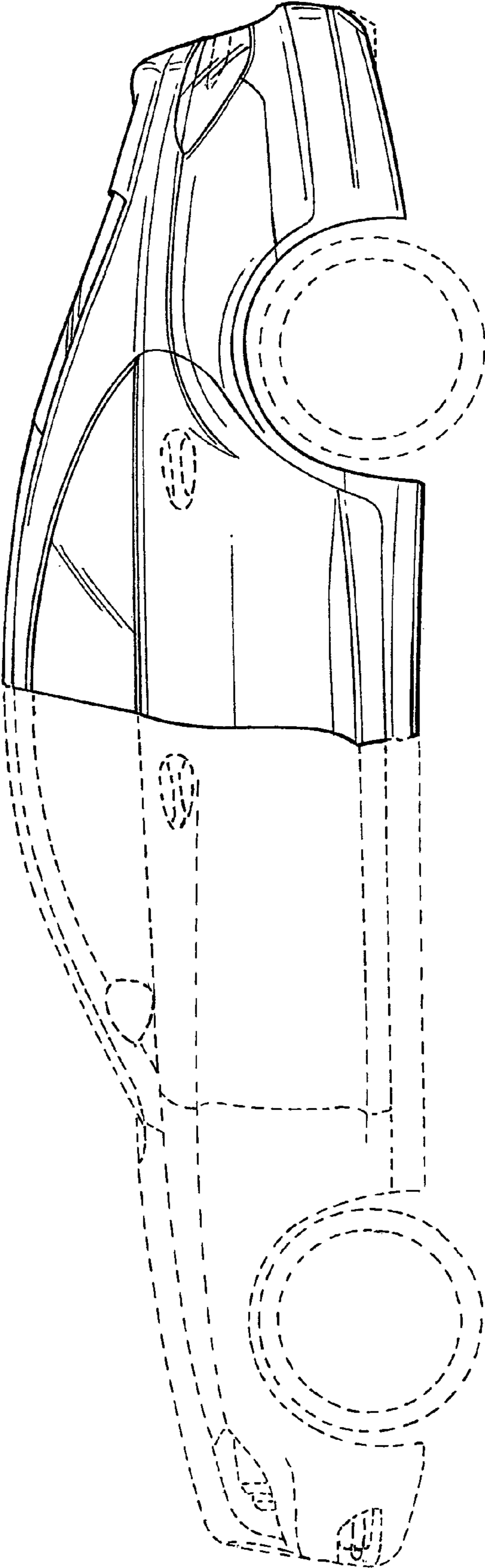


FIG. 3

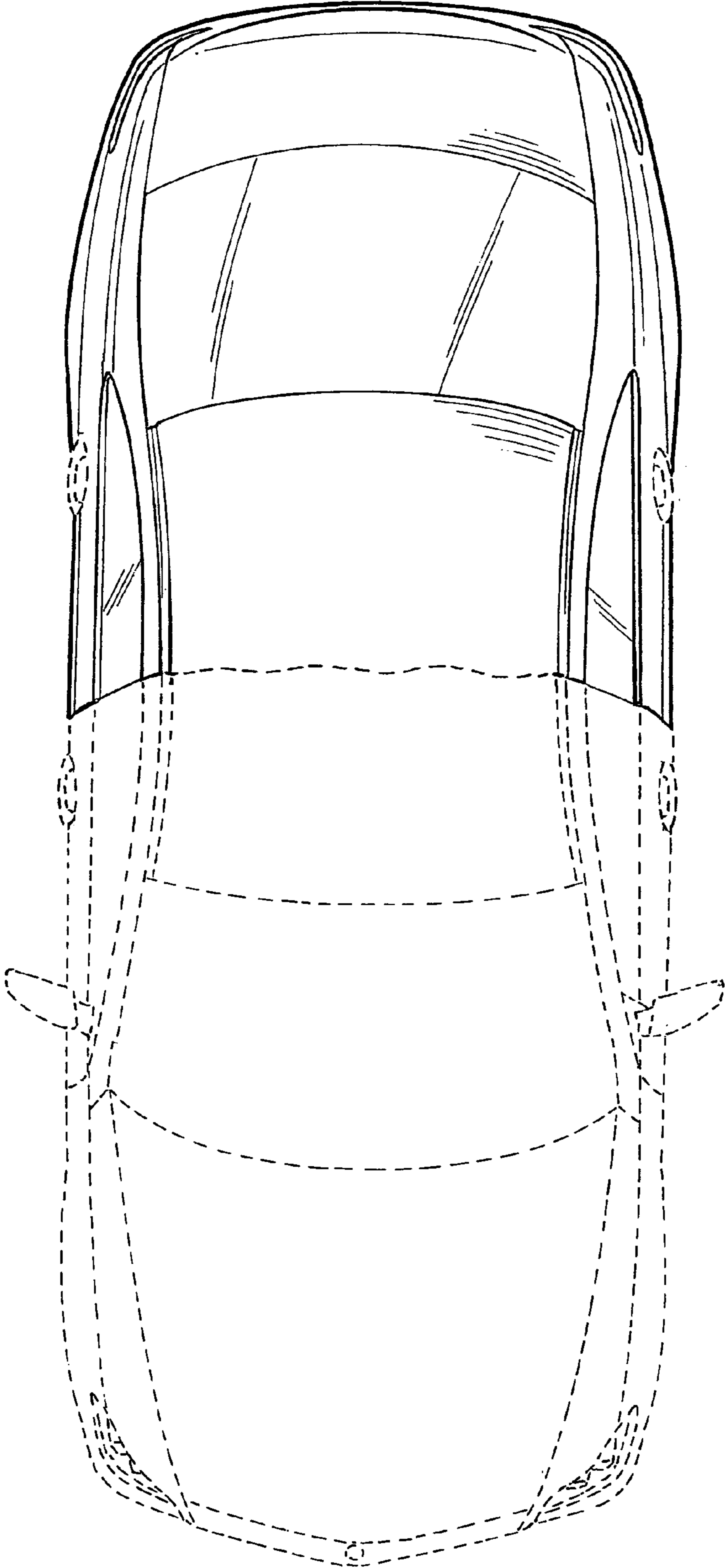


FIG. 4