



US00D634675S

(12) **United States Design Patent**  
**Lamm et al.**

(10) **Patent No.:** **US D634,675 S**  
(45) **Date of Patent:** **\*\* Mar. 22, 2011**

(54) **VEHICLE UPPER GRILLE**

(75) Inventors: **Stefan Lamm**, Cologne (DE); **Boguslaw Paruch**, Cologne (DE); **Roberto Giachin**, Zuelpich (DE)

(73) Assignee: **Ford Motor Company**, Dearborn, MI (US)

(\*\*) Term: **14 Years**

(21) Appl. No.: **29/375,003**

(22) Filed: **Sep. 16, 2010**

(51) **LOC (9) Cl.** ..... **12-16**

(52) **U.S. Cl.** ..... **D12/163**

(58) **Field of Classification Search** ..... D12/163,  
D12/196, 171, 169, 216, 90-92, 86; 180/68.1,  
180/68.6; 296/193.11

See application file for complete search history.

(56) **References Cited**

**U.S. PATENT DOCUMENTS**

D585,796 S	2/2009	Nagasaka et al.	
D591,210 S *	4/2009	Woolley et al.	D12/169
D600,170 S *	9/2009	Endoh	D12/163
D602,823 S	10/2009	Tan et al.	
D603,305 S *	11/2009	Woolley et al.	D12/163
D603,763 S	11/2009	Lamm	
D605,094 S	12/2009	Bennett et al.	
D607,785 S *	1/2010	Walter et al.	D12/163
D610,052 S *	2/2010	Watanabe	D12/163
D614,544 S *	4/2010	Ectors et al.	D12/163
D619,055 S *	7/2010	Walters	D12/163
D619,507 S *	7/2010	Ishibashi	D12/163

**OTHER PUBLICATIONS**

Ford Focus 2.5 ST, Geneva Autoshow, Mar. 5, 2009 <http://www.facts.ford.com>.

Car Spy Photos, Mar. 26, 2009 <http://carsspyphotos.com/2011-ford-focus-3/>.

Spy Shots: Ford Verve mule spotted banging around in Australia, Jul. 4, 2009 <http://spbcars.ru/news/en/article/22761/>.

Next Generation 2011 Ford Focus Mule First Spy Photos, Aug. 28, 2009 <http://www.worldcarfans.com/109082821357/next-generation-2011-ford-focus-mule-first-spy-photos>.

\* cited by examiner

*Primary Examiner* — Melody N Brown

(74) *Attorney, Agent, or Firm* — Damian Porcari

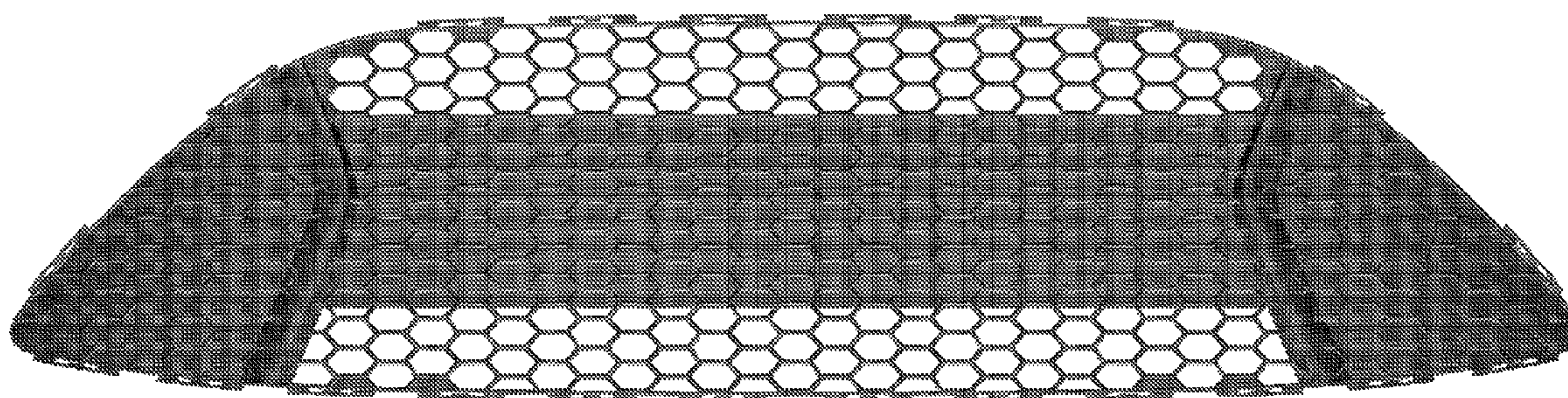
(57) **CLAIM**

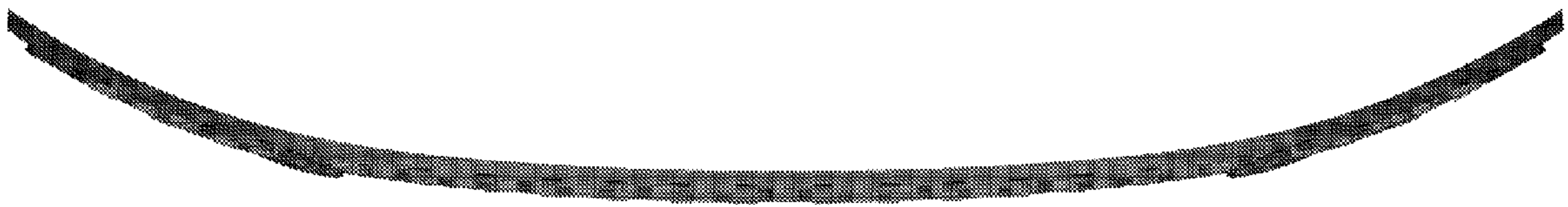
An ornamental design for a vehicle upper grille, as shown and described.

**DESCRIPTION**

FIG. 1 is a top plan view of a vehicle upper grille;  
FIG. 2 is a bottom plan view of the vehicle upper grille;  
FIG. 3 is a front elevational view of the vehicle upper grille;  
FIG. 4 is a left side elevational view of the vehicle upper grille;  
FIG. 5 is a right side elevational view of the vehicle upper grille;  
FIG. 6 is a perspective view of the vehicle upper grille; and,  
FIG. 7 is a second perspective view of the vehicle upper grille.

**1 Claim, 7 Drawing Sheets**



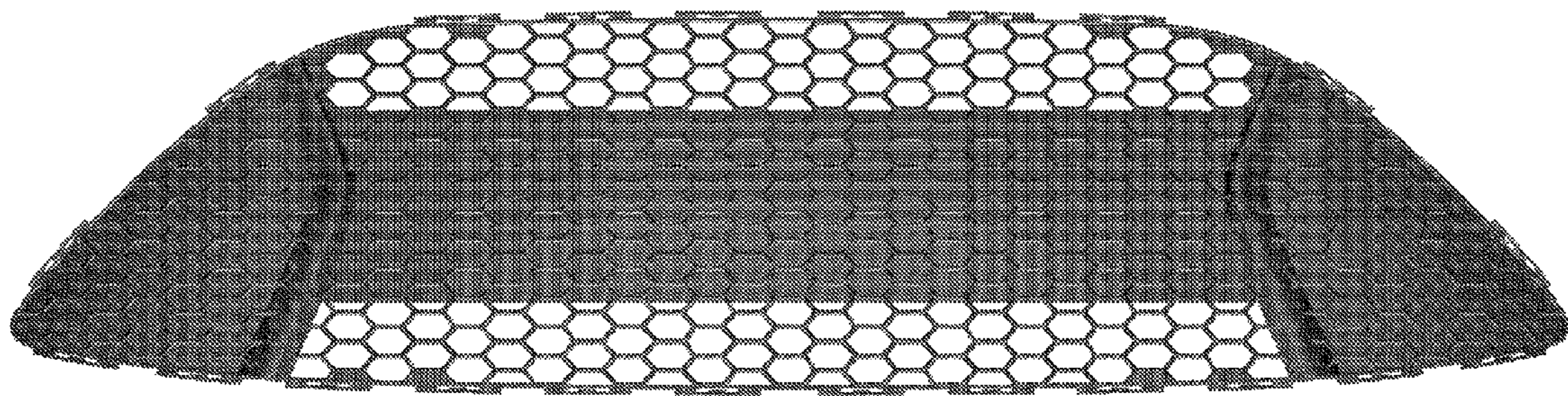


*Figure 1*

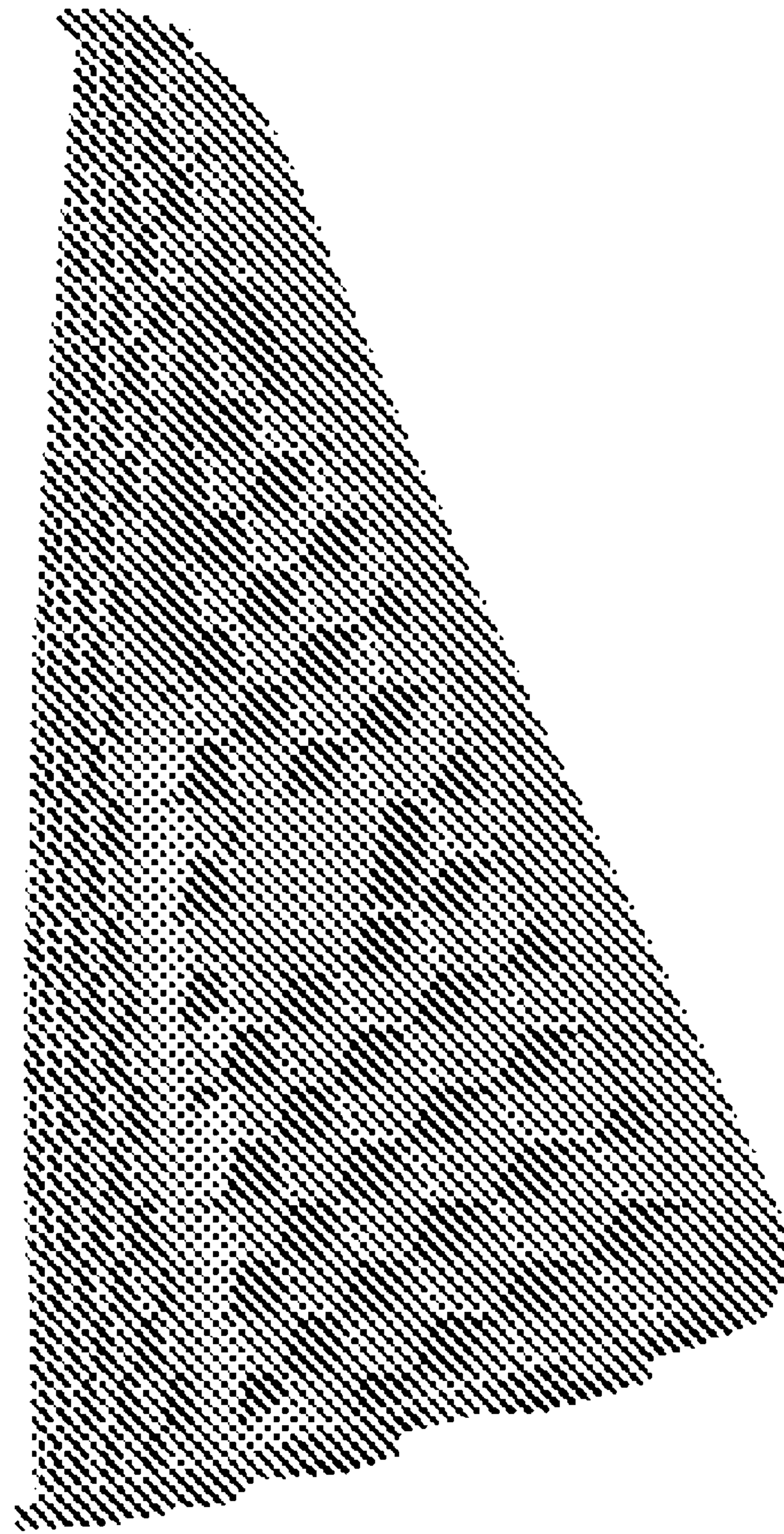


*Figure 2*



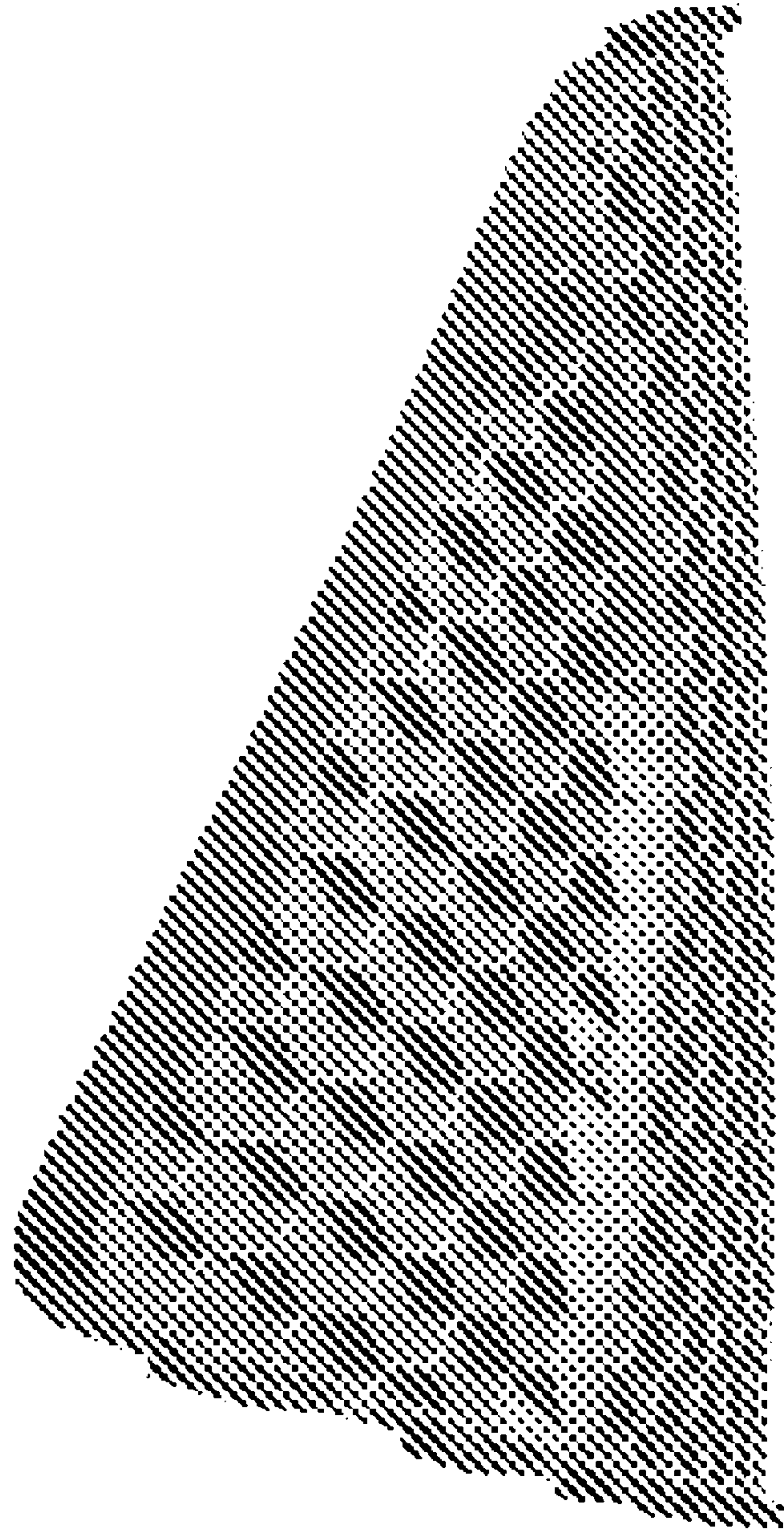


*Figure 3*

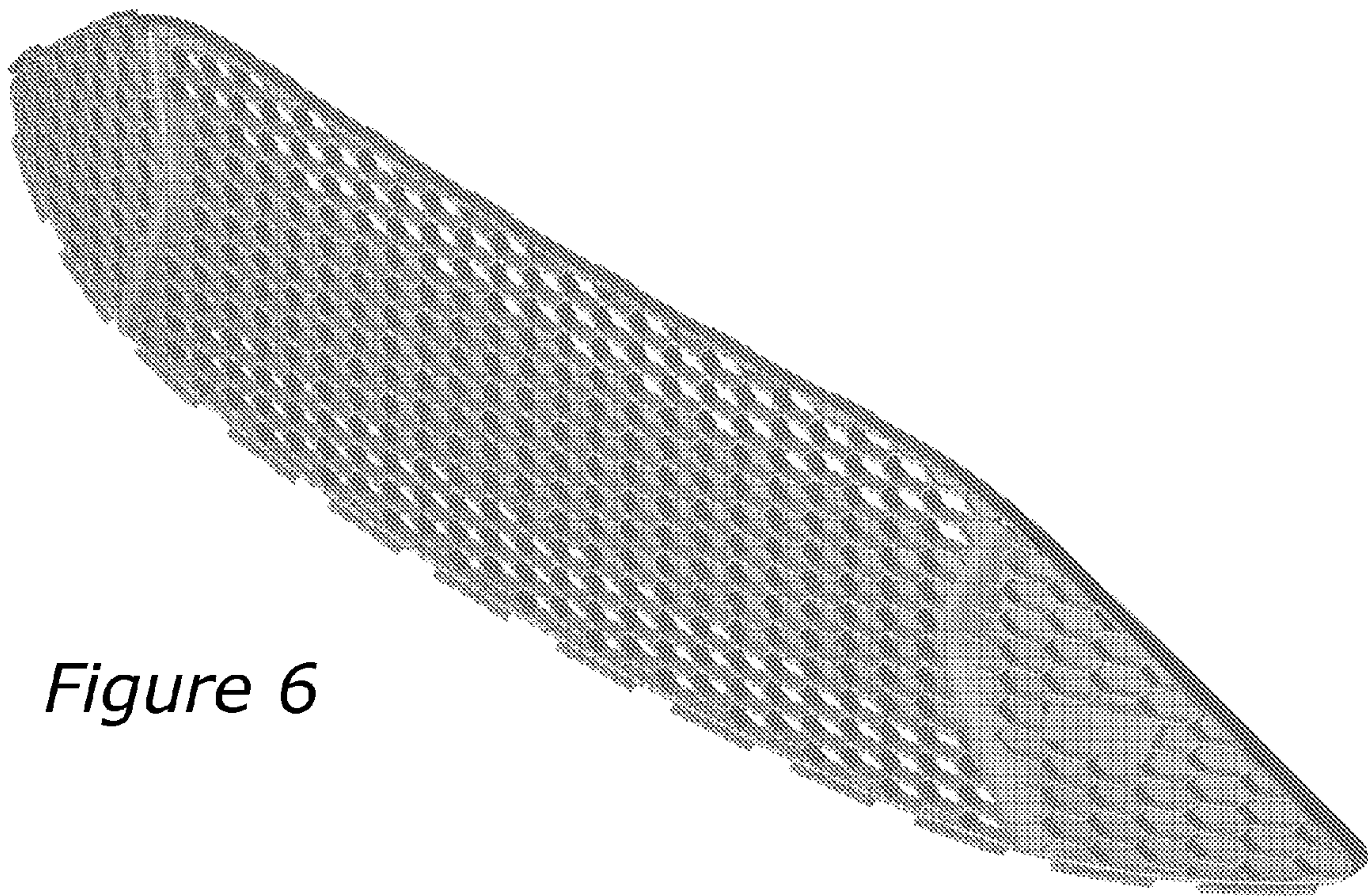


*Figure 4*



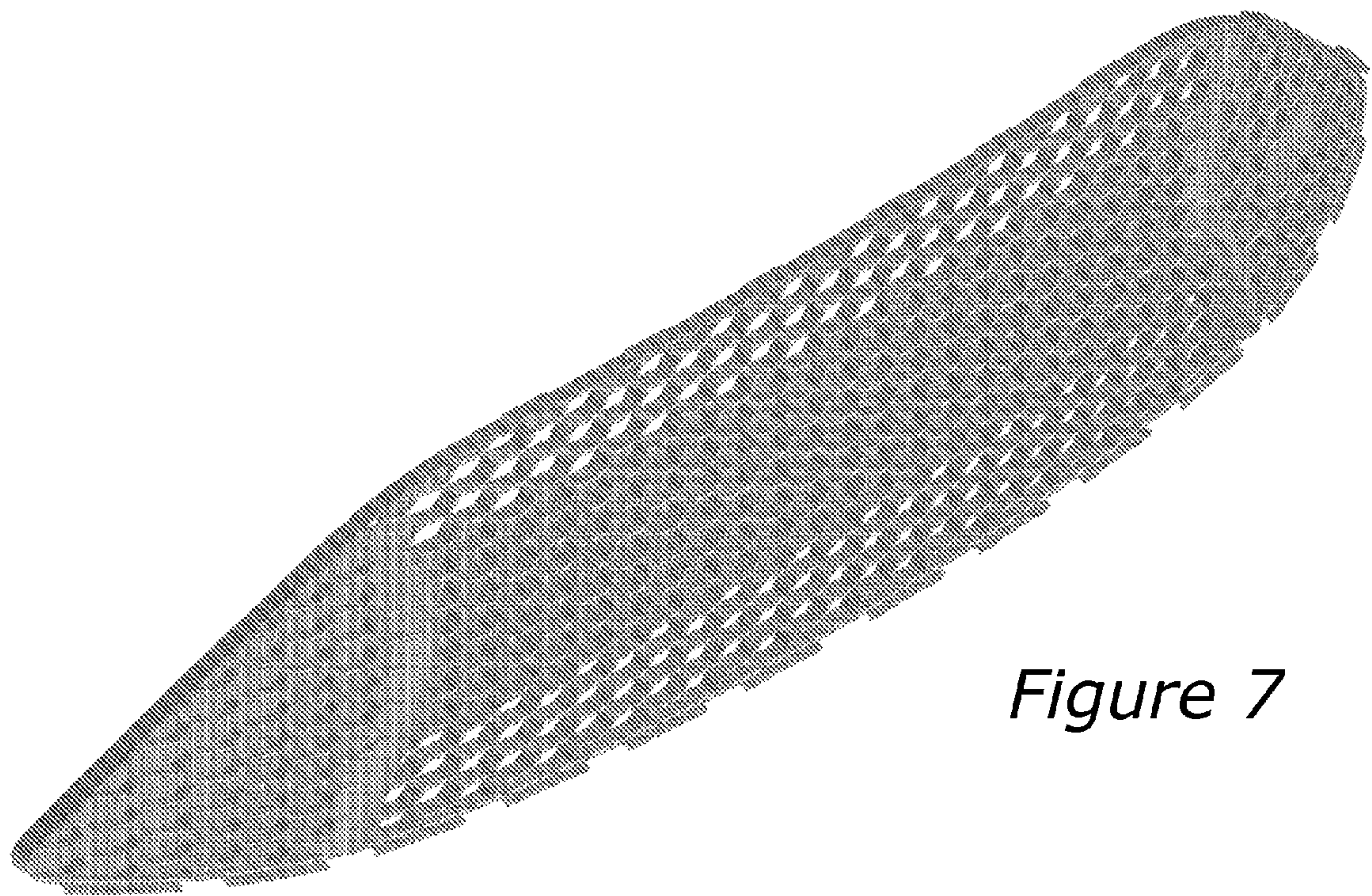


*Figure 5*



*Figure 6*





*Figure 7*