



US00D634673S

(12) **United States Design Patent**
Lockart et al.

(10) **Patent No.:** **US D634,673 S**
(45) **Date of Patent:** **** Mar. 22, 2011**

(54) **BICYCLE**

(75) Inventors: **Chad Lockart**, Madison, WI (US);
Keith Von Huben, Waterloo, WI (US)

(73) Assignee: **B-Cycle, LLC**, Boulder, CO (US)

(**) Term: **14 Years**

(21) Appl. No.: **29/331,427**

(22) Filed: **Jan. 26, 2009**

(51) **LOC (9) Cl.** **12-11**

(52) **U.S. Cl.** **D12/111**

(58) **Field of Classification Search** D12/111,
D12/110; 280/202, 274-280, 281.1, 288.1-288.3,
280/283-288; 180/205-207, 65.1, 65.6,
180/219, 220

See application file for complete search history.

(56) **References Cited**

U.S. PATENT DOCUMENTS

D386,723 S * 11/1997 Fujieda D12/110
D401,534 S * 11/1998 Higashihara et al. D12/110
D402,925 S * 12/1998 Kino et al. D12/110
D414,721 S * 10/1999 Nakamura D12/111

6,148,944 A * 11/2000 Adomi et al. 180/220
D574,756 S * 8/2008 Masui et al. D12/111
D594,787 S * 6/2009 Dallaire D12/111

* cited by examiner

Primary Examiner — Susan M Lee

Assistant Examiner — Linda G. Brooks

(74) *Attorney, Agent, or Firm* — Boyle Fredrickson, S.C.

(57) **CLAIM**

The ornamental design for a bicycle, substantially as shown and described.

DESCRIPTION

FIG. 1 is an elevated forward perspective view of a bicycle according to the present invention;

FIG. 2 is a right side elevation view of the bicycle of FIG. 1; FIG. 3 is a left side elevation view of the bicycle shown in FIG. 1;

FIG. 4 is a top plan view of the bicycle shown in FIG. 1;

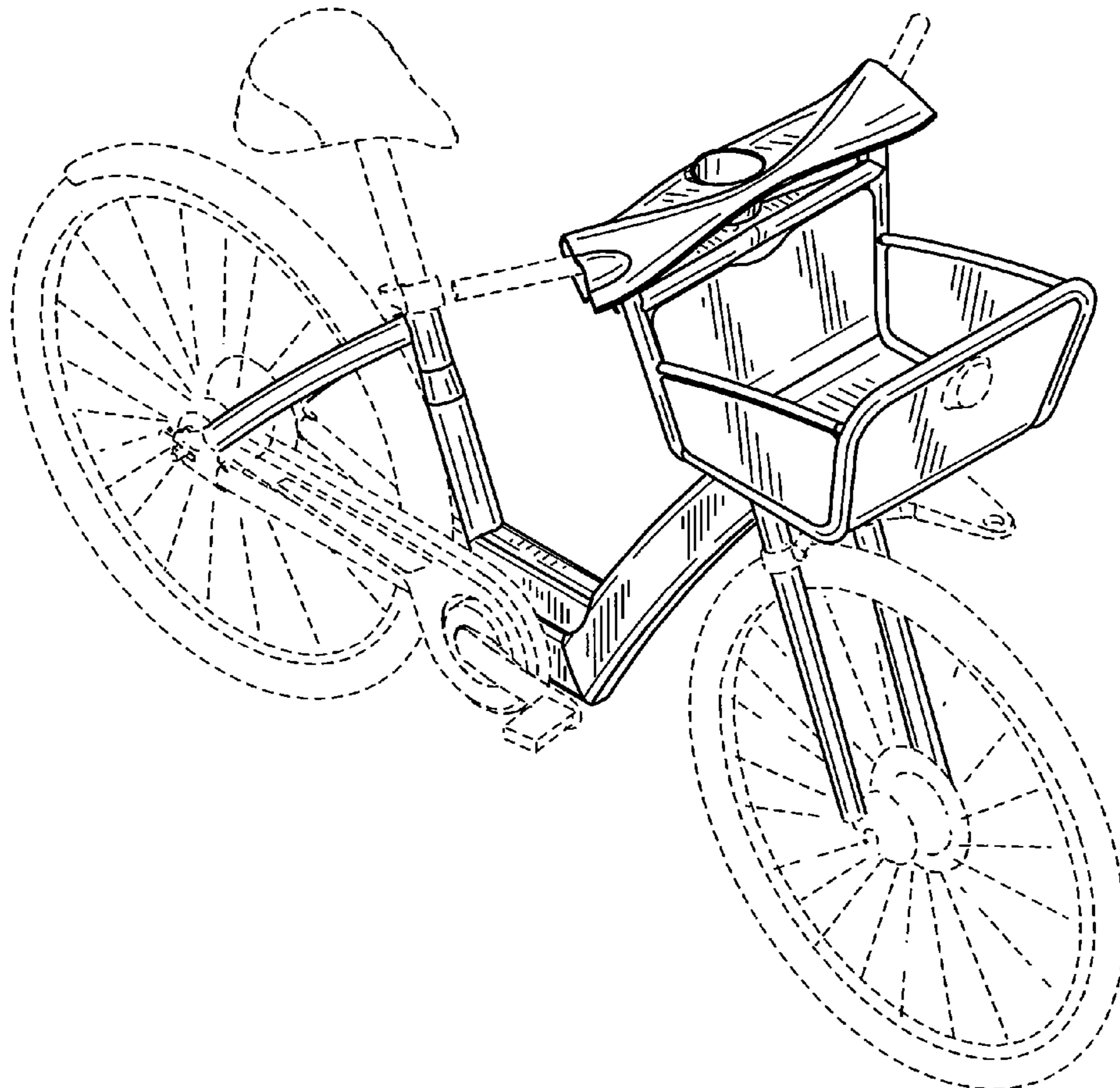
FIG. 5 is a bottom plan view of the bicycle shown in FIG. 1;

FIG. 6 is front elevation view of the bicycle shown in FIG. 1; and,

FIG. 7 is rear elevation view of the bicycle shown in FIG. 1.

The broken lines represent environmental structure and form no part of the claimed design.

1 Claim, 6 Drawing Sheets



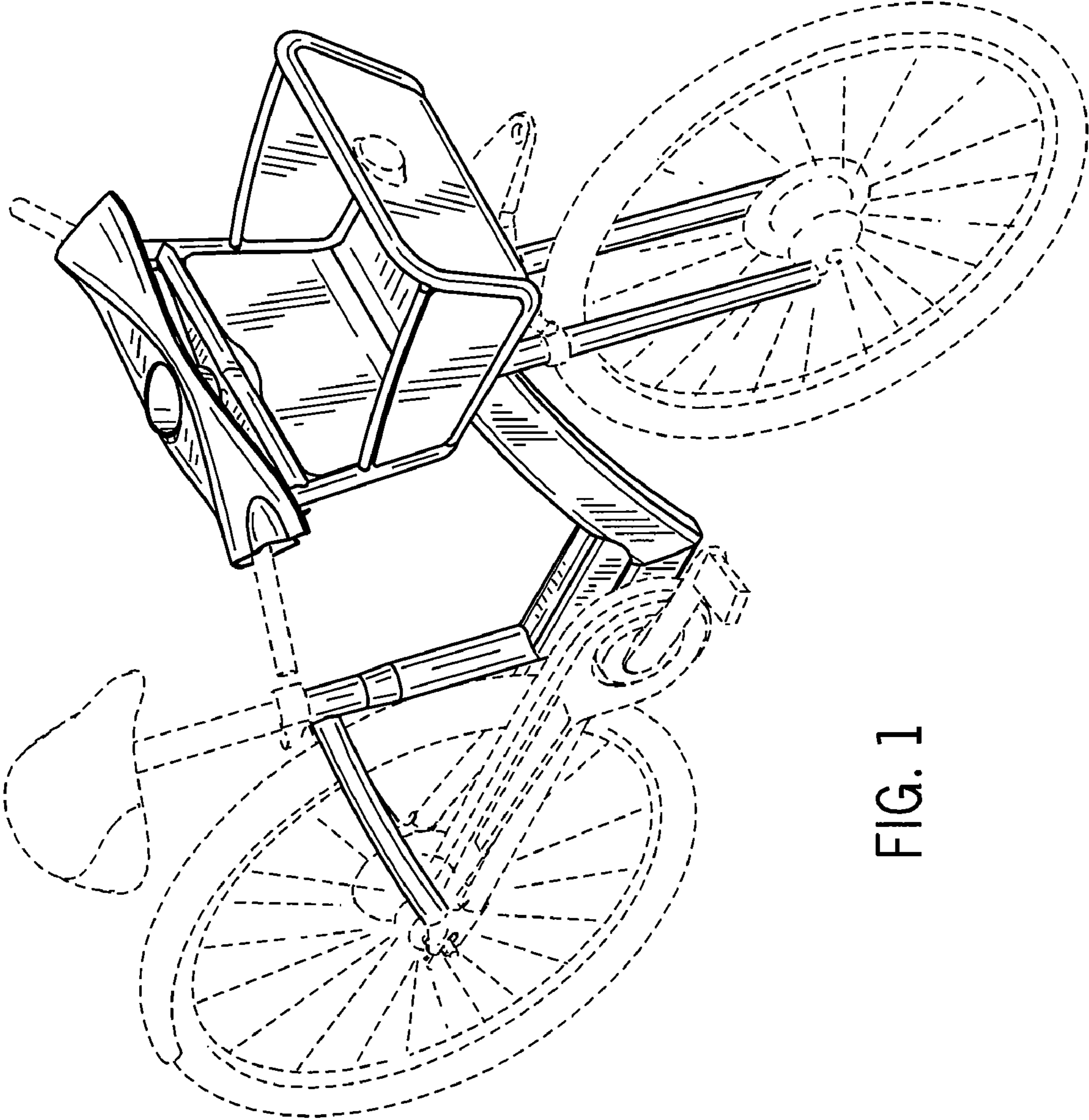


FIG. 1

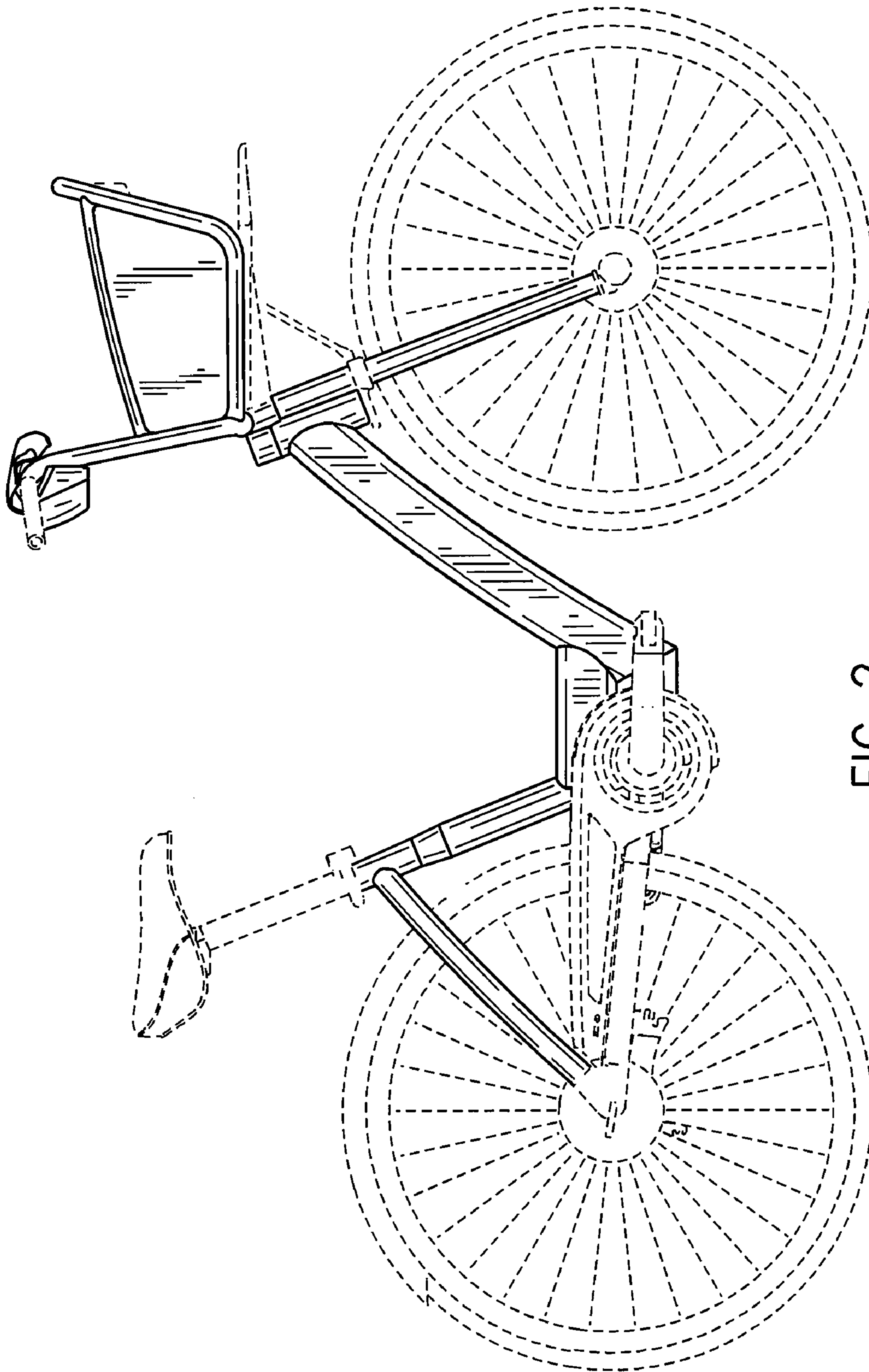


FIG. 2

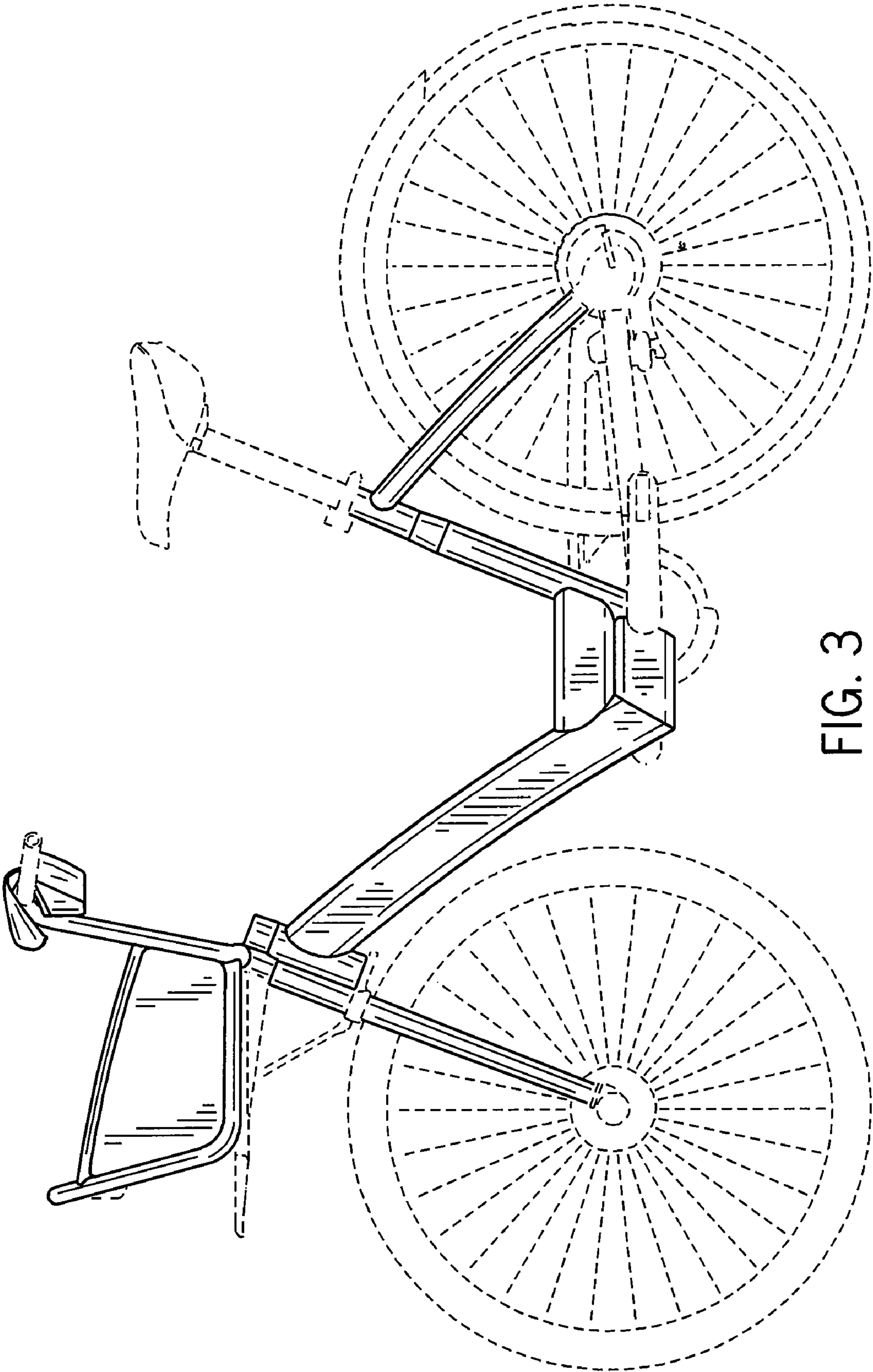


FIG. 3

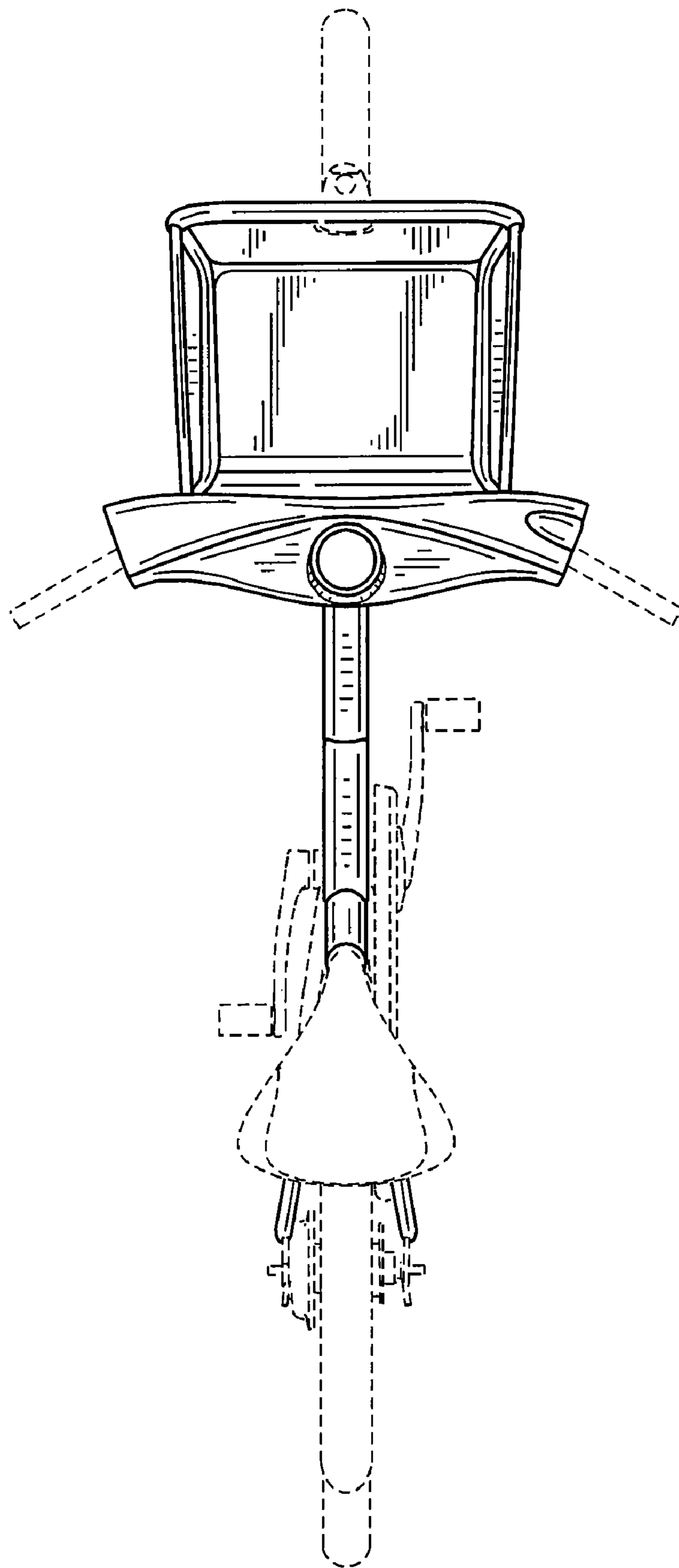


FIG. 4

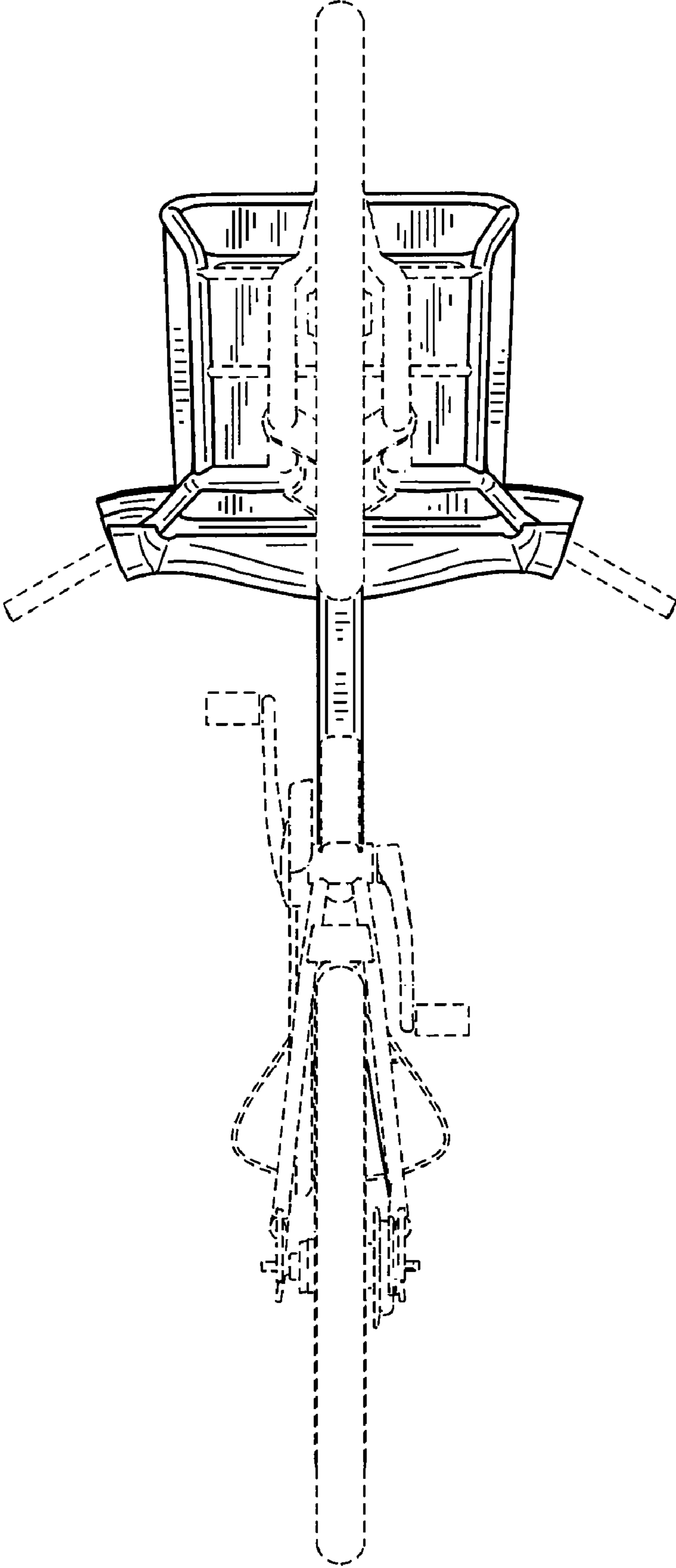


FIG. 5

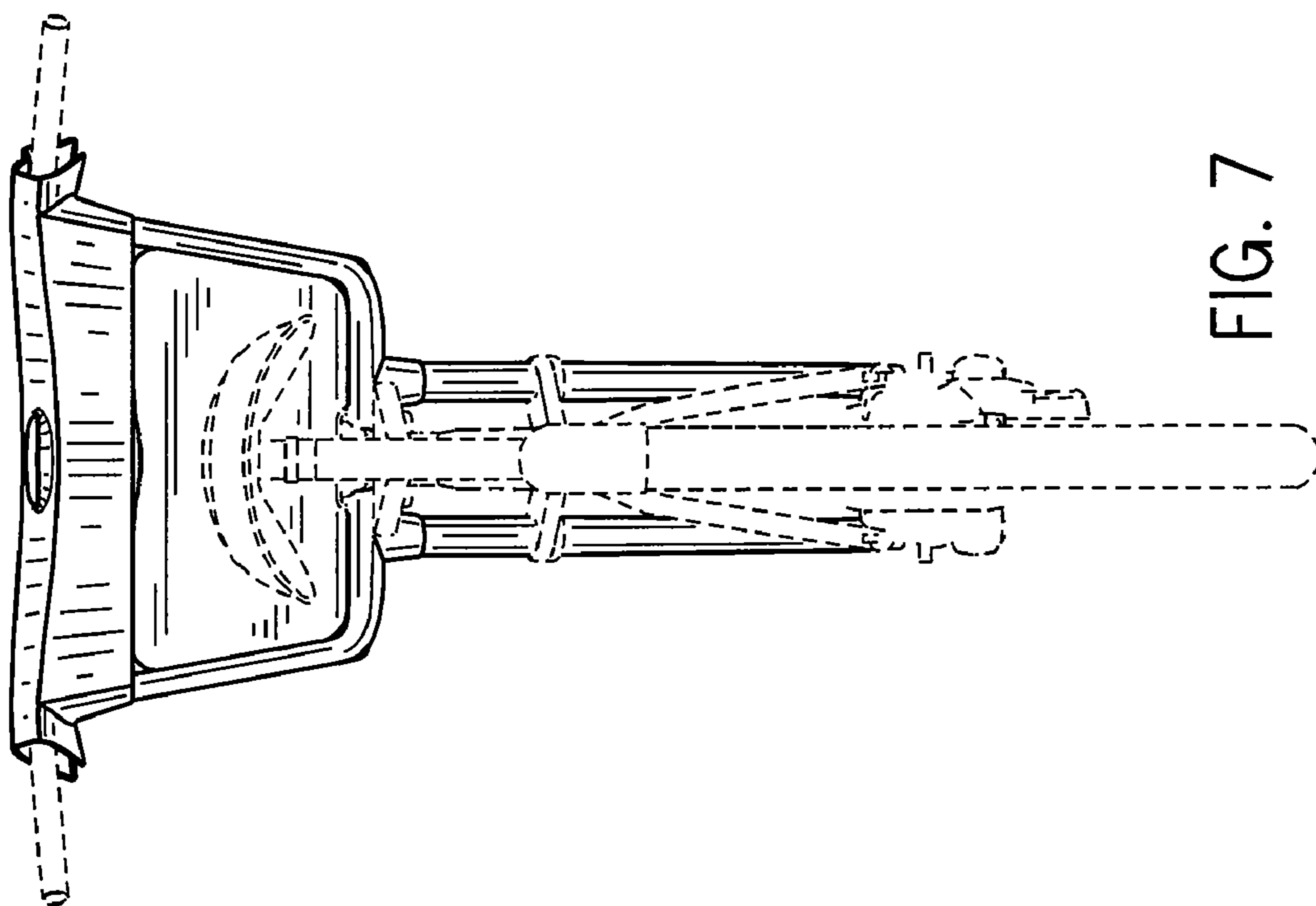


FIG. 7

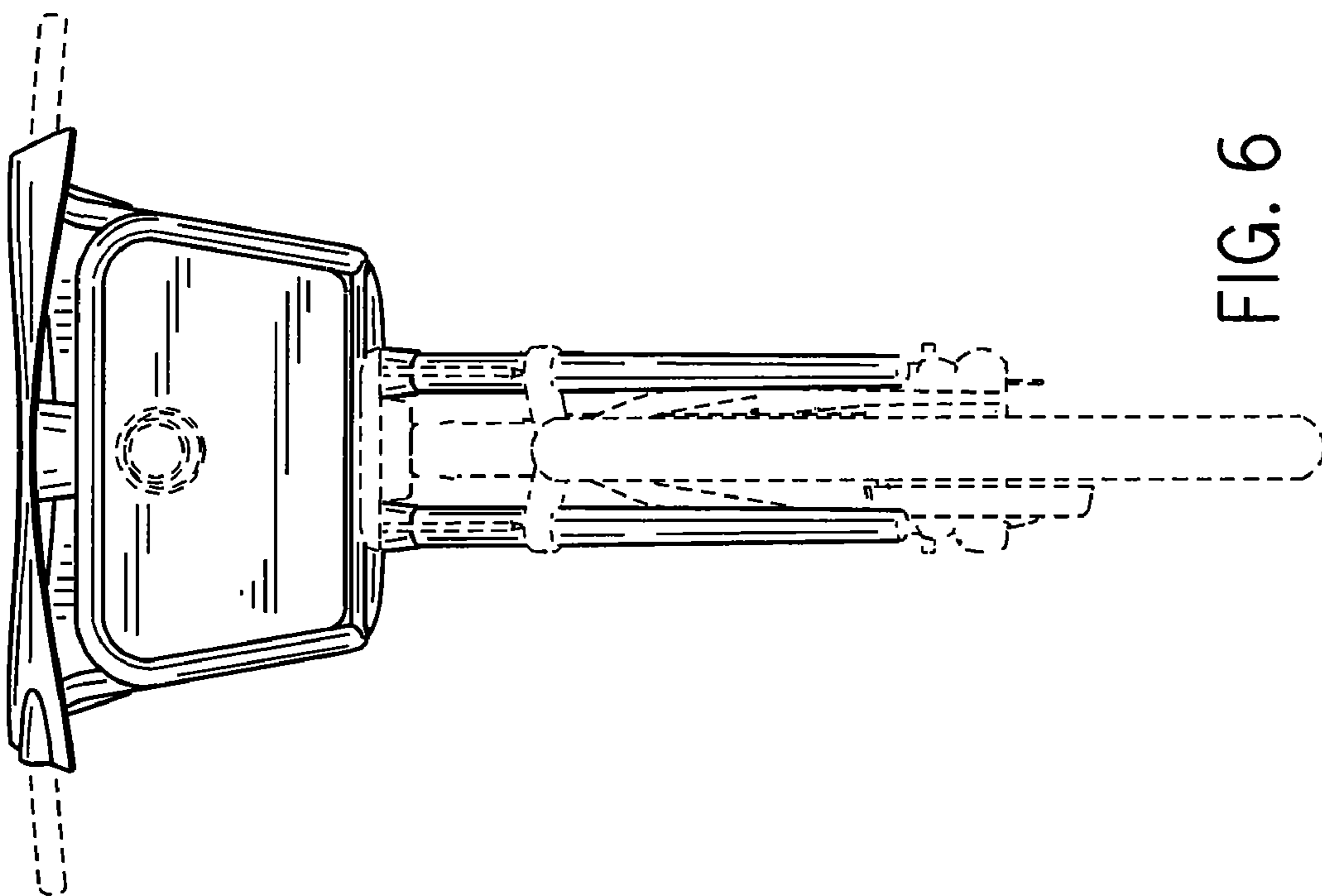


FIG. 6