



US00D634672S

(12) **United States Design Patent**
Voss

(10) **Patent No.:** **US D634,672 S**
(45) **Date of Patent:** **** Mar. 22, 2011**

(54) **COMBINED DISPLAY AND TANKER VEHICLE**

(75) Inventor: **Richard A. Voss**, Cupertino, CA (US)

(73) Assignee: **Richard A. Voss**, Cupertino, CA (US)

(**) Term: **14 Years**

(21) Appl. No.: **29/355,470**

(22) Filed: **Feb. 8, 2010**

3,054,328	A *	9/1962	Rodgers	359/847
D196,427	S *	10/1963	Anderson	D12/95
3,158,383	A *	11/1964	Anderson et al.	280/837
D204,751	S *	5/1966	Mendez	D12/95
3,763,584	A *	10/1973	Falkenstein	40/587
3,845,878	A *	11/1974	Carlson	220/89.3
4,538,951	A *	9/1985	Yeazel et al.	414/407
4,789,170	A *	12/1988	Reber	280/838
D432,173	S *	10/2000	Baker	D20/17
D473,494	S *	4/2003	Lieberman	D12/95
D583,712	S *	12/2008	Voss	D12/93
D611,880	S *	3/2010	Voss	D12/93
2009/0112710	A1 *	4/2009	Ballina	705/14

Related U.S. Application Data

(62) Division of application No. 29/327,568, filed on Nov. 7, 2008, now Pat. No. Des. 611,880, which is a division of application No. 29/267,742, filed on Oct. 20, 2006, now Pat. No. Des. 583,712.

(51) **LOC (9) Cl.** **12-08**

(52) **U.S. Cl.** **D12/95; D20/19**

(58) **Field of Classification Search** D20/10, D20/17, 19, 35, 39, 40, 99; D12/82, 93, D12/95, 98; D15/144; 280/7, 830-839; 40/556, 584, 587-590; 220/89.3; 296/15, 296/187.06; 359/847; 428/66.5
See application file for complete search history.

(56) **References Cited**

U.S. PATENT DOCUMENTS

299,751	A *	6/1884	De Planque	428/66.5
D28,455	S *	4/1898	Baker	D15/144
1,720,531	A *	7/1929	Siegel	40/556
D94,668	S *	2/1935	Drake	D20/99
D94,669	S *	2/1935	Drake	D20/99
2,412,146	A *	12/1946	Hansen	280/838
D162,354	S *	3/1951	Smith	D20/10
2,723,862	A *	11/1955	Dalglish	280/831
2,860,436	A *	11/1958	Silver	40/587

OTHER PUBLICATIONS

Flying J Gasoline Tanker—Freefoto.com [http://www.freefoto.com/images/21/42/21_42_9---Flying-J-Gasoline-Tanker_web.jpg?](http://www.freefoto.com/images/21/42/21_42_9---Flying-J-Gasoline-Tanker_web.jpg?&k=)
&k= pulled from the web—May, 6, 2010.*

* cited by examiner

Primary Examiner — Janice E Seeger

Assistant Examiner — Mary Ann Calabrese

(74) *Attorney, Agent, or Firm* — Morgan, Lewis & Bockius LLP

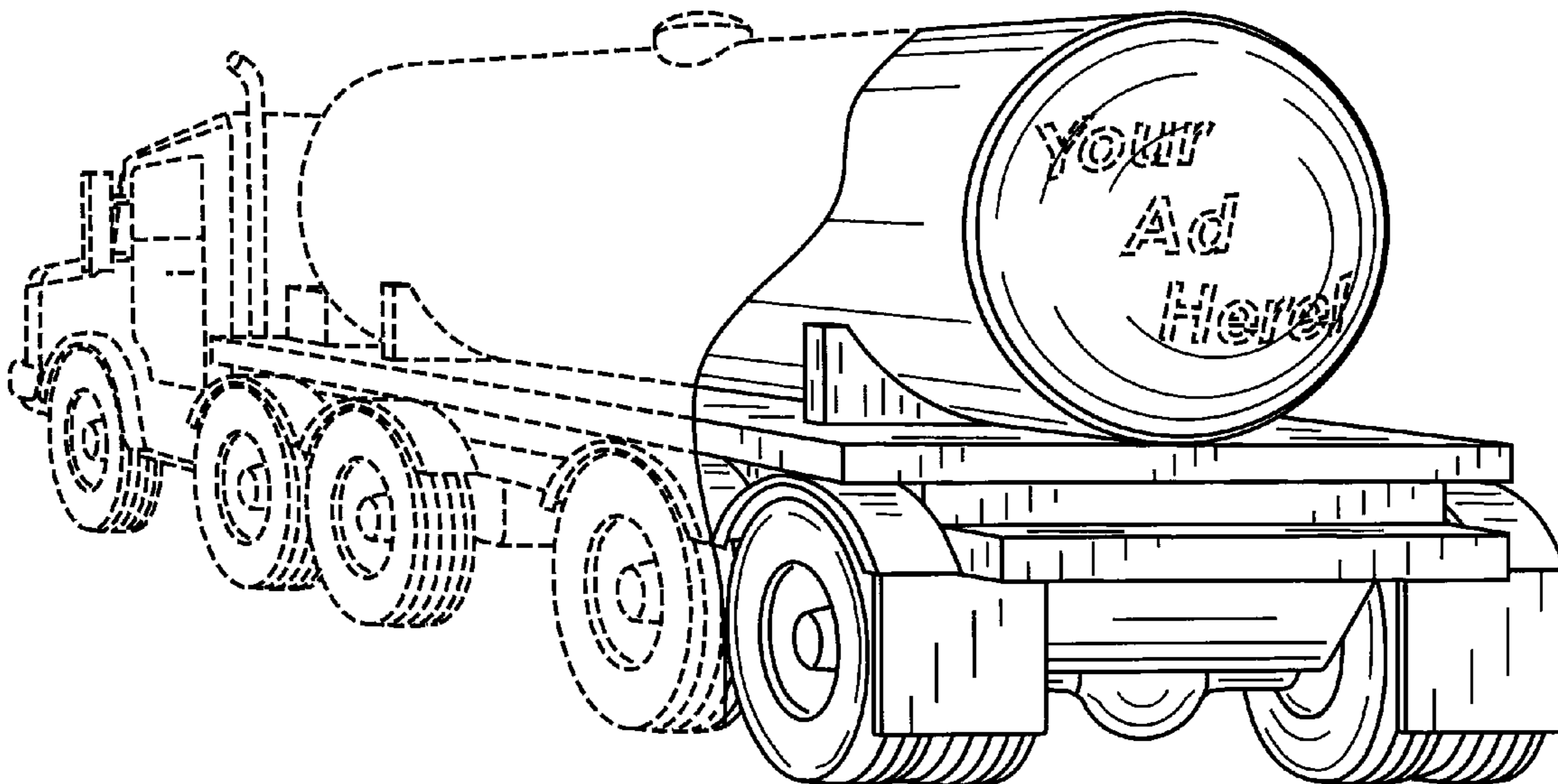
(57) **CLAIM**

An ornamental design for a combined display and tanker vehicle, as shown and described.

DESCRIPTION

FIG. 1 is a back perspective view of my new design of a combined display and tanker vehicle; FIG. 2 is a side view of the design of FIG. 1; and, FIG. 3 is a back view of the design of FIG. 1. The broken lines showing elements of the display on a vehicle in the above described figures are for illustrative purposes only and form no part of the claimed design.

1 Claim, 3 Drawing Sheets



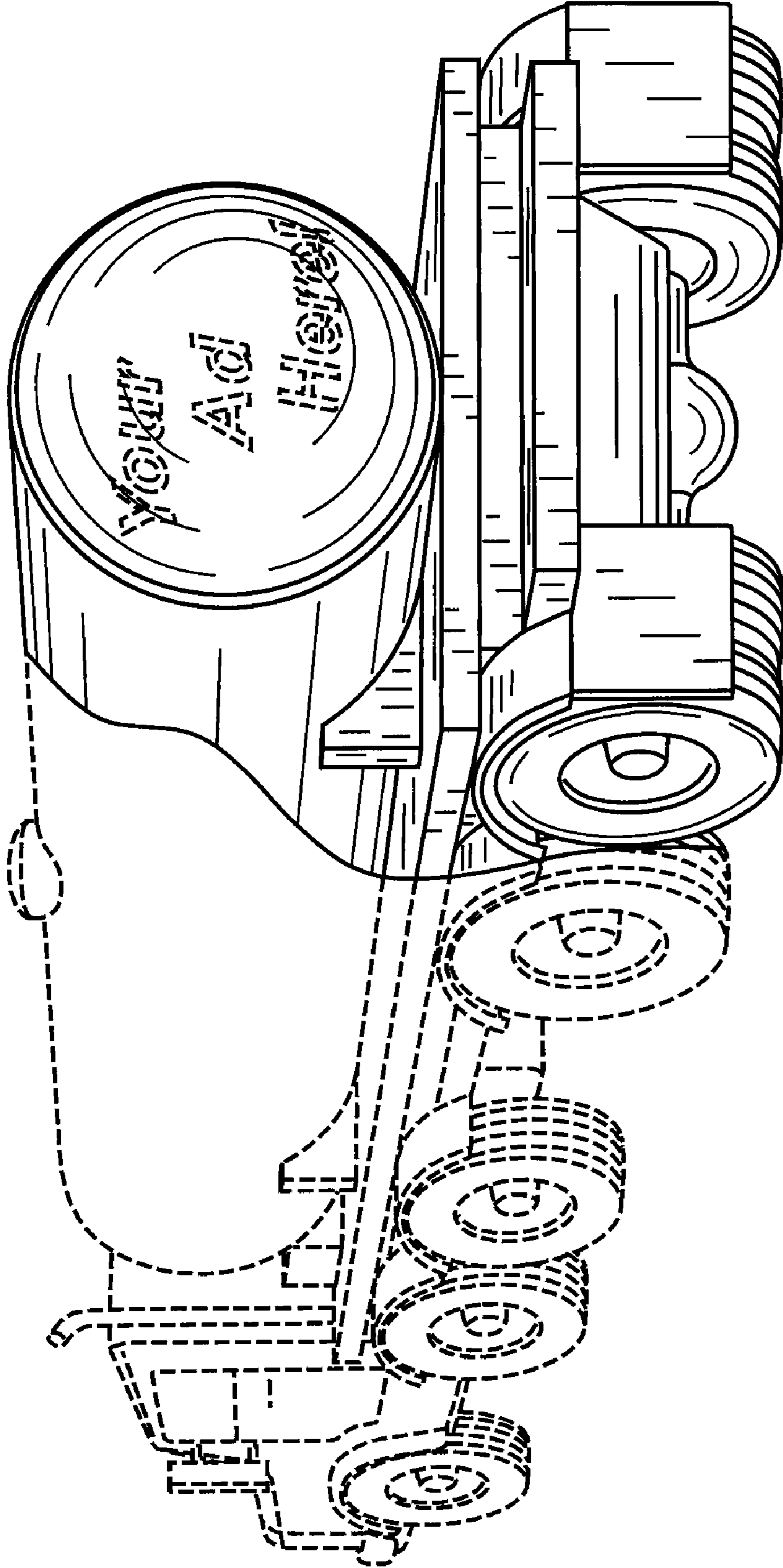


FIG. 1

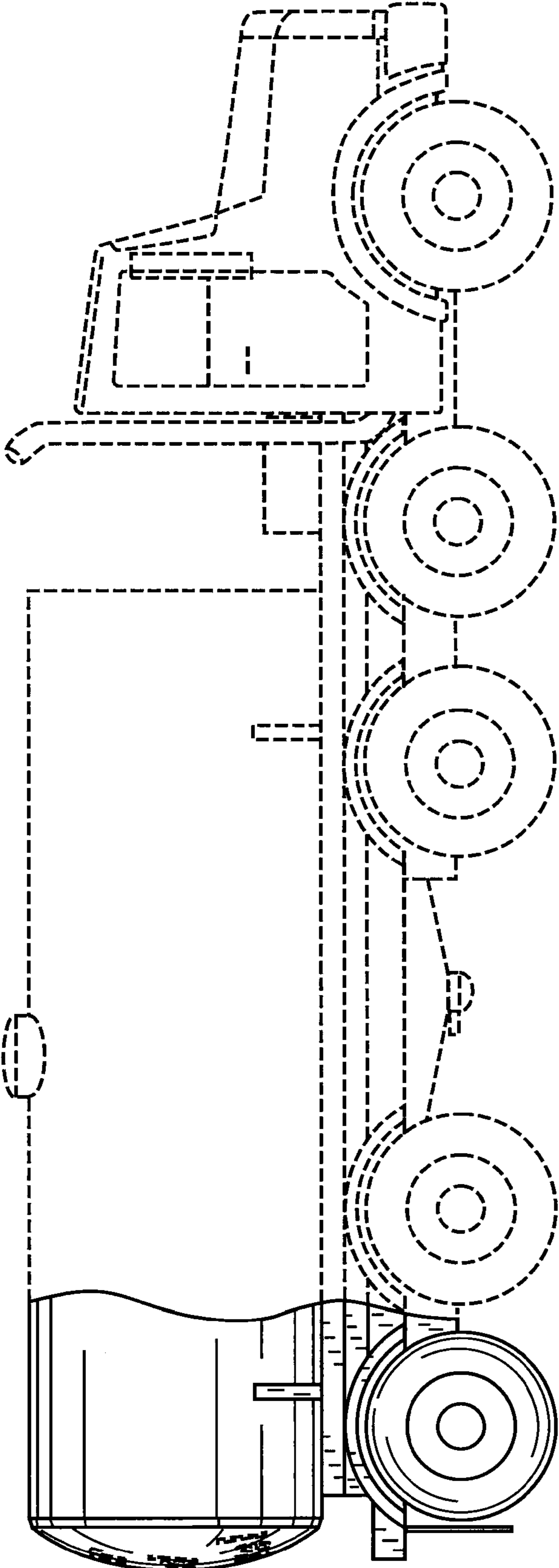


FIG. 2

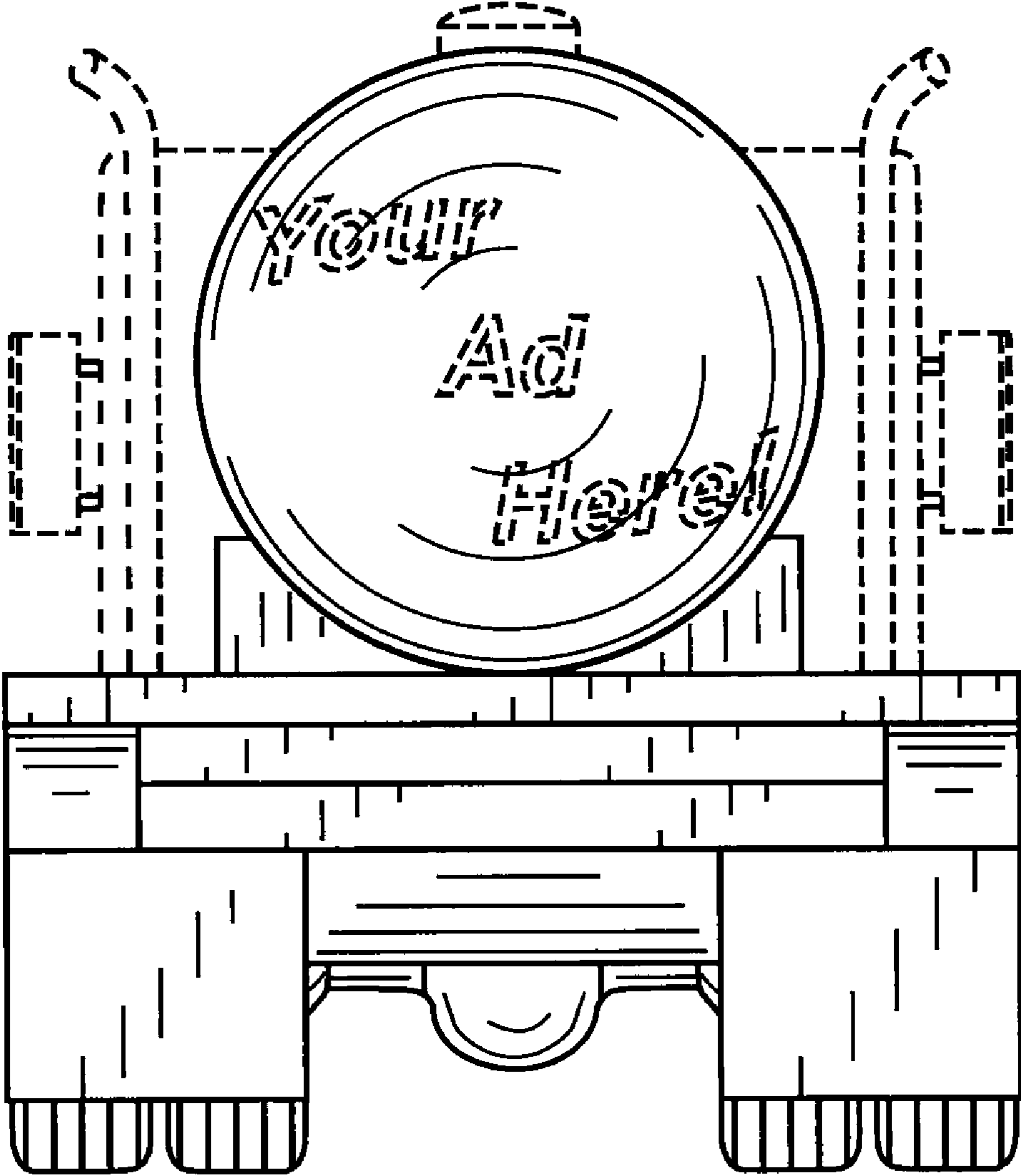


FIG. 3