



US00D634670S

(12) **United States Design Patent**
Takazakura

(10) **Patent No.:** **US D634,670 S**
(45) **Date of Patent:** **** Mar. 22, 2011**

(54) **BUCKLE**

(75) Inventor: **Ryoichiro Takazakura**, Toyama-Ken
(JP)

(73) Assignee: **YKK Corporation** (JP)

(**) Term: **14 Years**

(21) Appl. No.: **29/375,559**

(22) Filed: **Sep. 24, 2010**

(30) **Foreign Application Priority Data**

Mar. 26, 2010 (JP) 2010-007379

(51) **LOC (9) Cl.** **02-07**

(52) **U.S. Cl.** **D11/216**

(58) **Field of Classification Search** D11/1-2,
D11/200-201, 206-210, 214-218; 24/163 R,
24/169-171, 173, 177-179, 191, 194-195,
24/197, 200

See application file for complete search history.

(56) **References Cited**

U.S. PATENT DOCUMENTS

D524,694 S * 7/2006 Funo et al. D11/216
D560,551 S * 1/2008 Uehara D11/216
D576,519 S * 9/2008 Uehara D11/216
D591,642 S * 5/2009 Henderson et al. D11/216
D597,441 S * 8/2009 Uehara D11/216
7,650,676 B2 * 1/2010 Saitsu 24/615

FOREIGN PATENT DOCUMENTS

JP D1395936 8/2010

* cited by examiner

Primary Examiner — Ralf Seifert

(74) *Attorney, Agent, or Firm* — Kilpatrick Townsend &
Stockton LLP

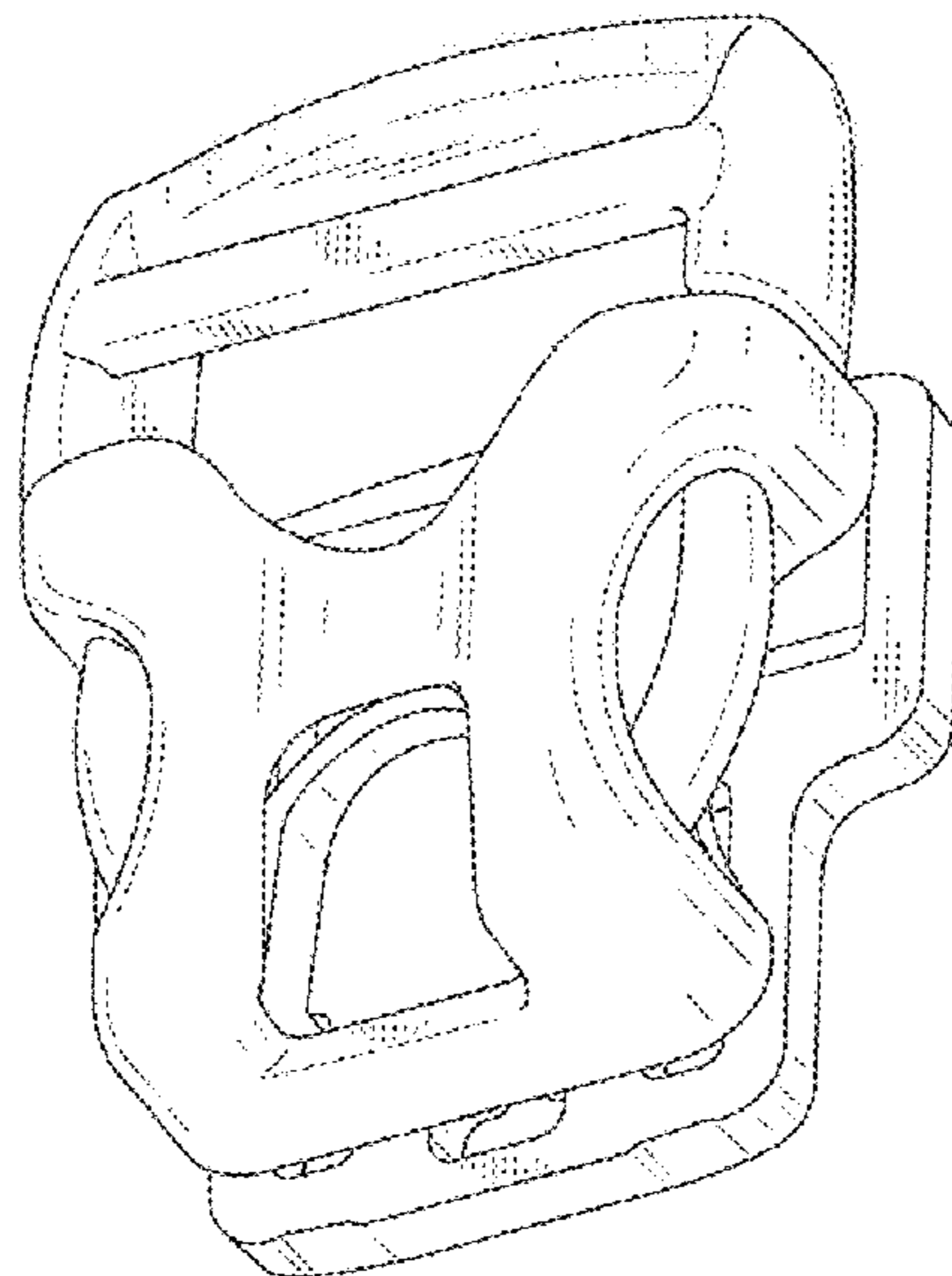
(57) **CLAIM**

The ornamental design for a buckle, as shown and described.

DESCRIPTION

FIG. 1 is a perspective view of the bottom, front and right of a buckle showing my new design;
FIG. 2 is a front view of the buckle;
FIG. 3 is a rear view of the buckle;
FIG. 4 is a top plan view of the buckle;
FIG. 5 is a bottom view of the buckle;
FIG. 6 is a right side view of the buckle, the left side view being mirror image thereof;
FIG. 7 is a cross sectional view of the buckle at 7—7 shown in FIG. 2;
FIG. 8 is a front view of a male body of the buckle;
FIG. 9 is a rear view of the male body of the buckle;
FIG. 10 is a top plan view of the male body of the buckle;
FIG. 11 is a bottom view of the male body of the buckle;
FIG. 12 is a right side view of the male body of the buckle, the left side view being mirror image thereof;
FIG. 13 is a front view of a female body of the buckle;
FIG. 14 is a rear view of the female body of the buckle;
FIG. 15 is a top plan view of the female body of the buckle;
FIG. 16 is a bottom view of the female body of the buckle;
FIG. 17 is a right side view of the female body of the buckle, the left side view being mirror image thereof;
FIG. 18 is a front view of an attaching member of the buckle;
FIG. 19 is a rear view of the attaching member of the buckle;
FIG. 20 is a top plan view of the attaching member of the buckle;
FIG. 21 is a bottom view of the attaching member of the buckle; and,
FIG. 22 is a right side view of the attaching member of the buckle, the left side view being mirror image thereof.

1 Claim, 10 Drawing Sheets



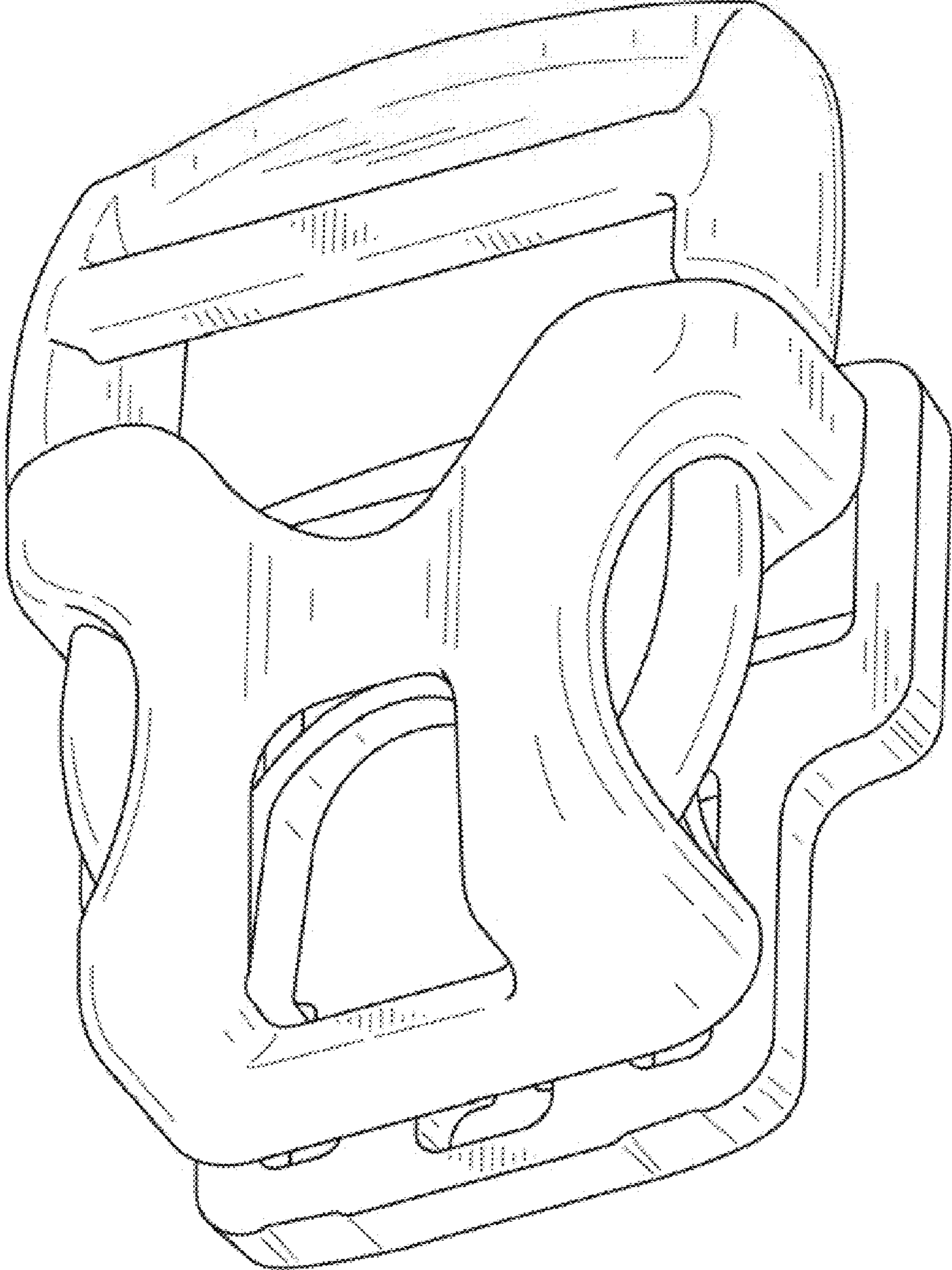


FIG. 1

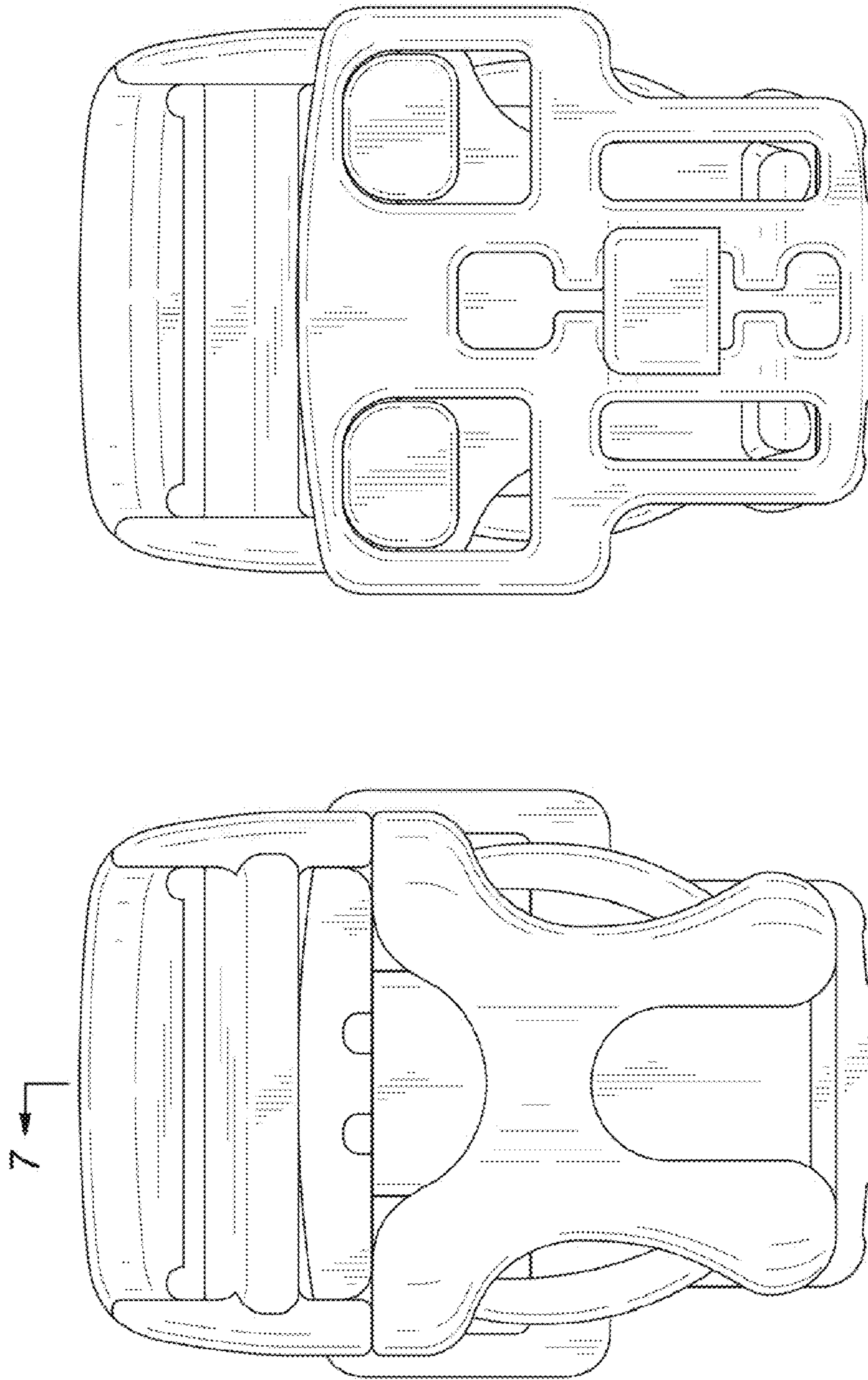


FIG. 3

FIG. 2

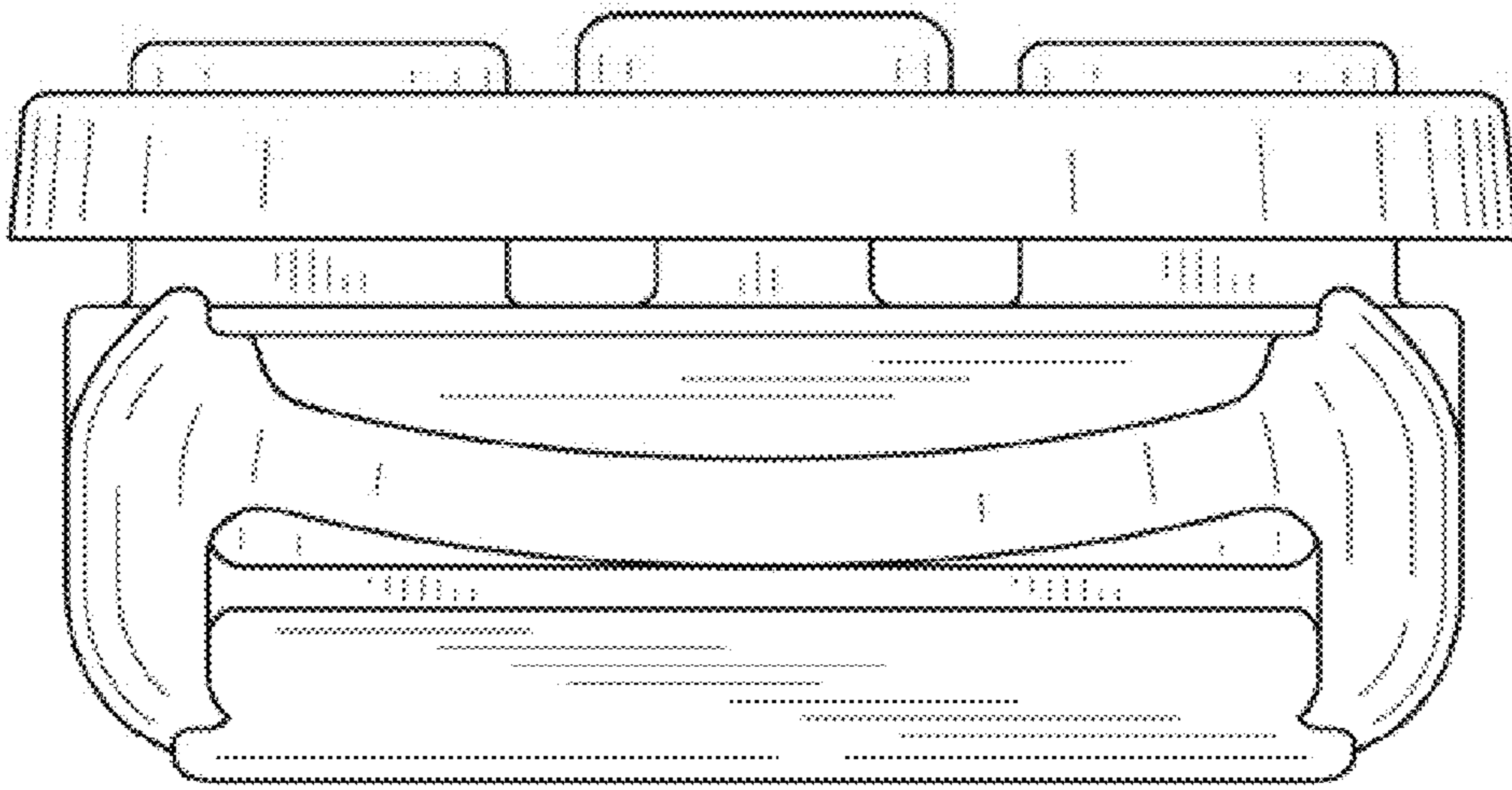


FIG. 4

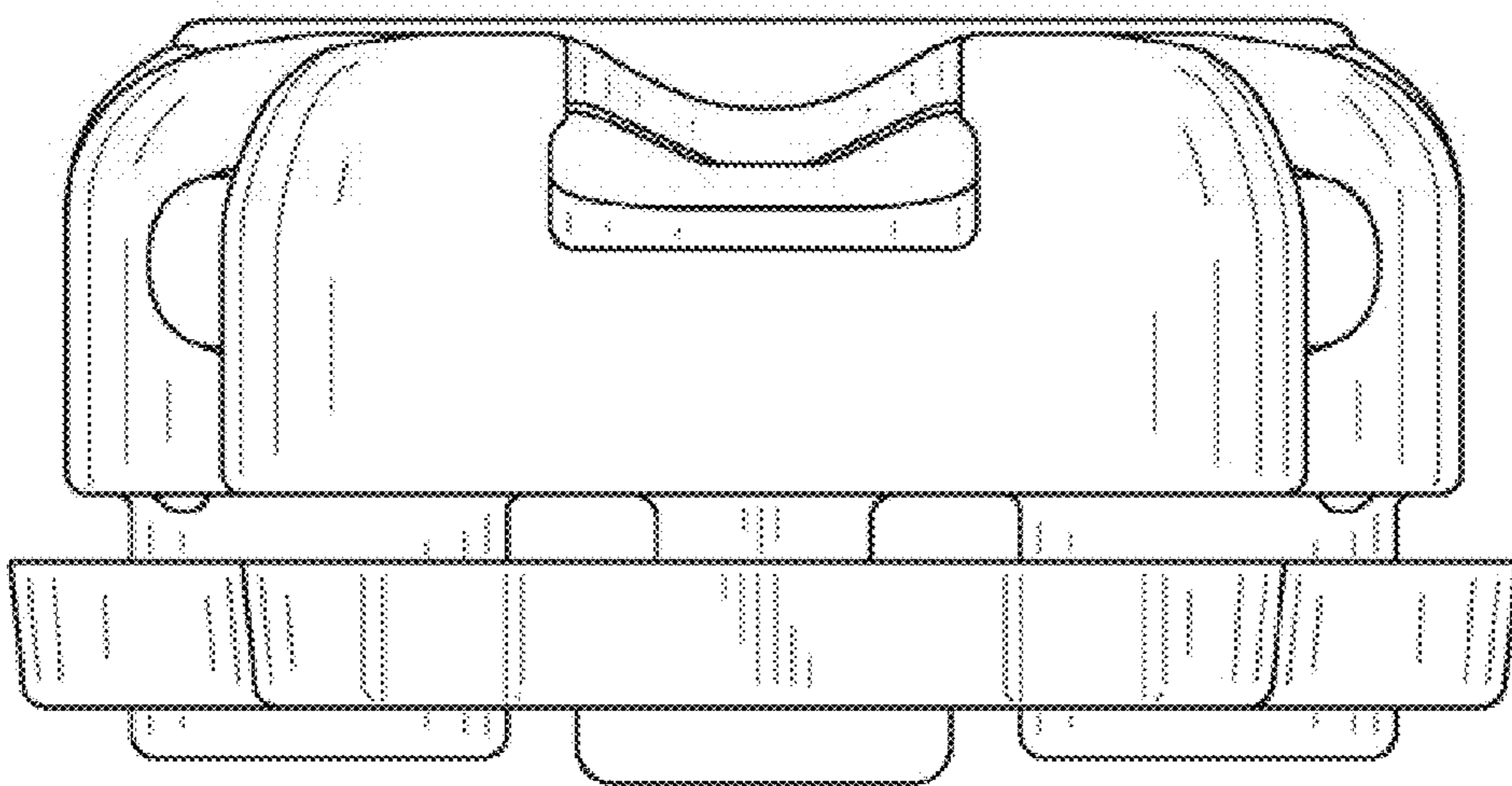


FIG. 5

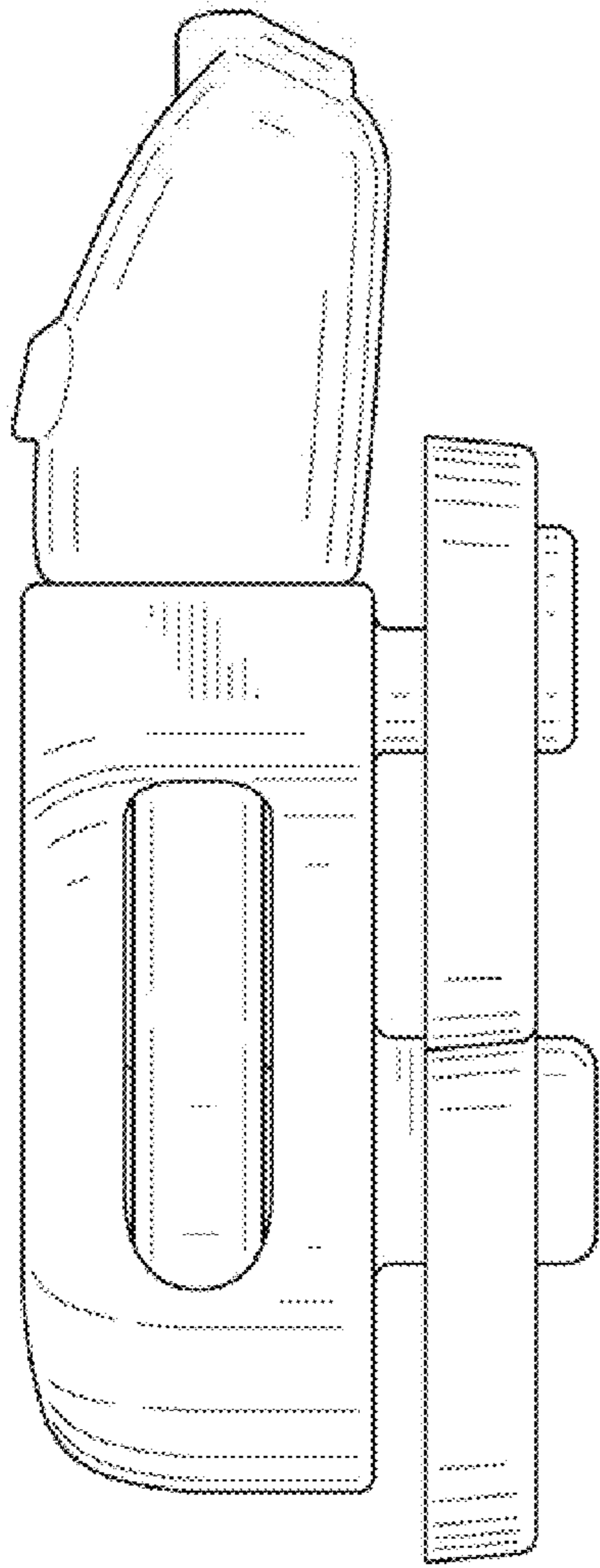


FIG. 6

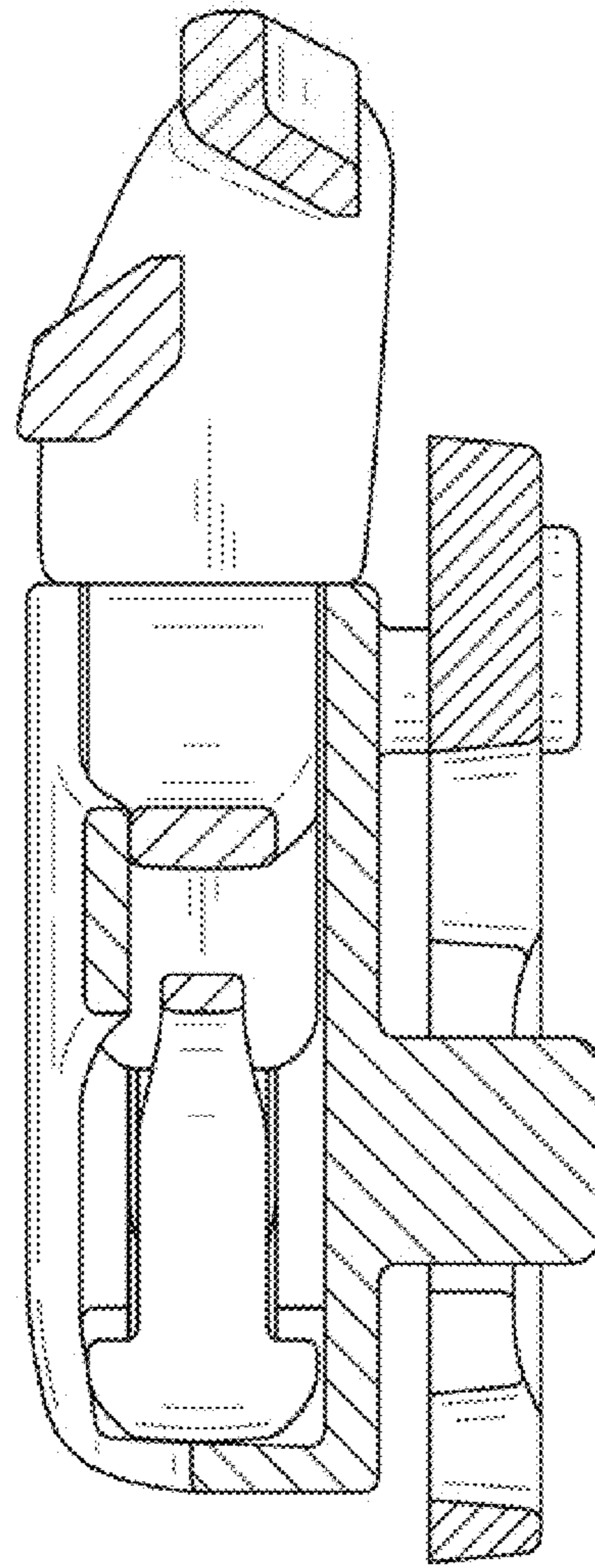


FIG. 7

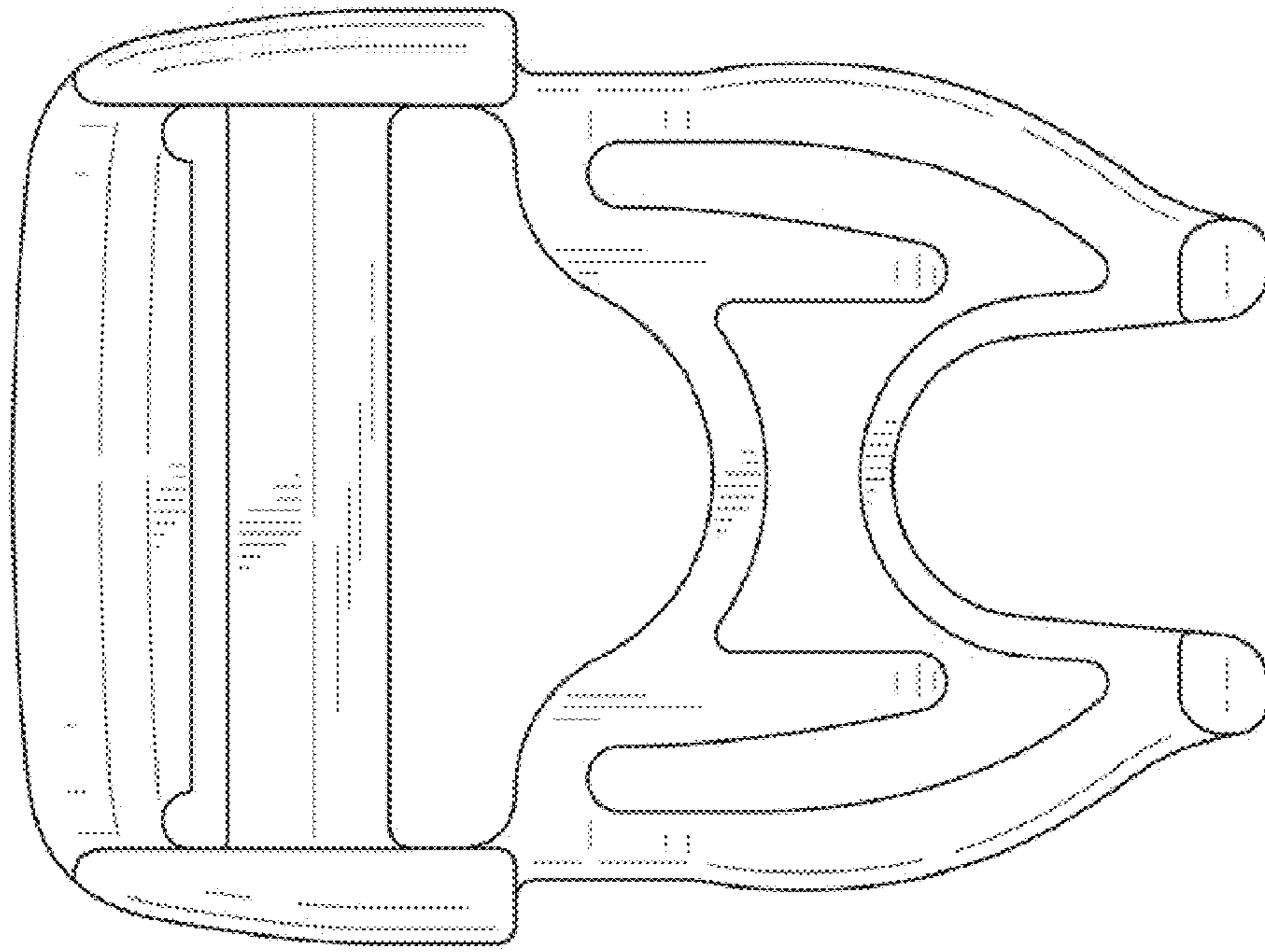


FIG. 8

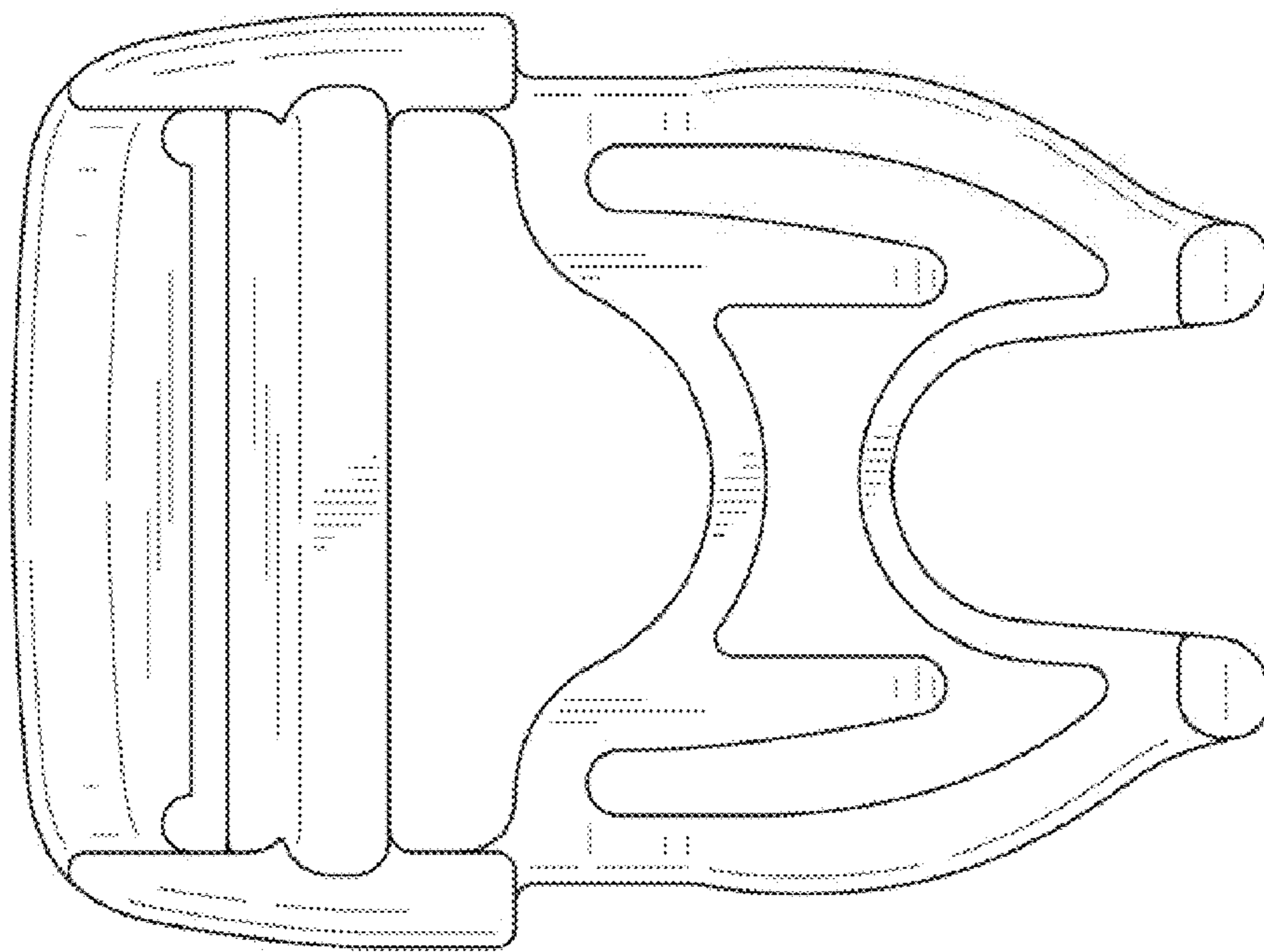


FIG. 9

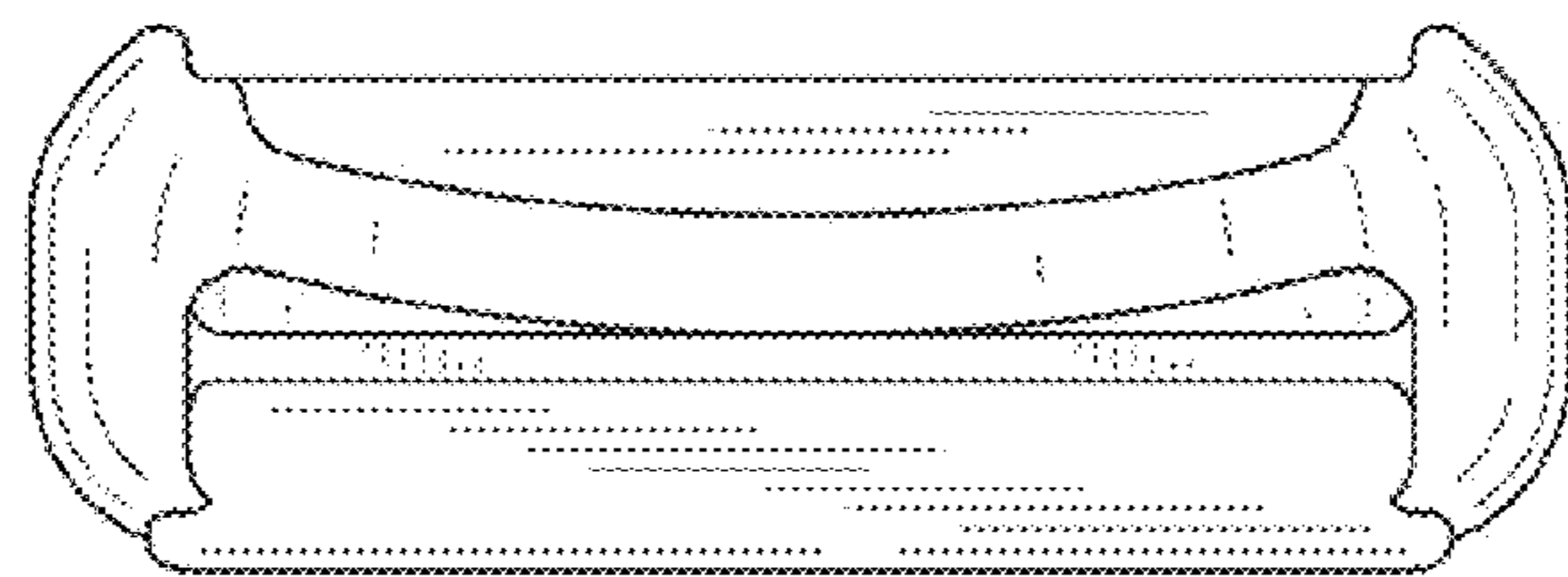


FIG. 10

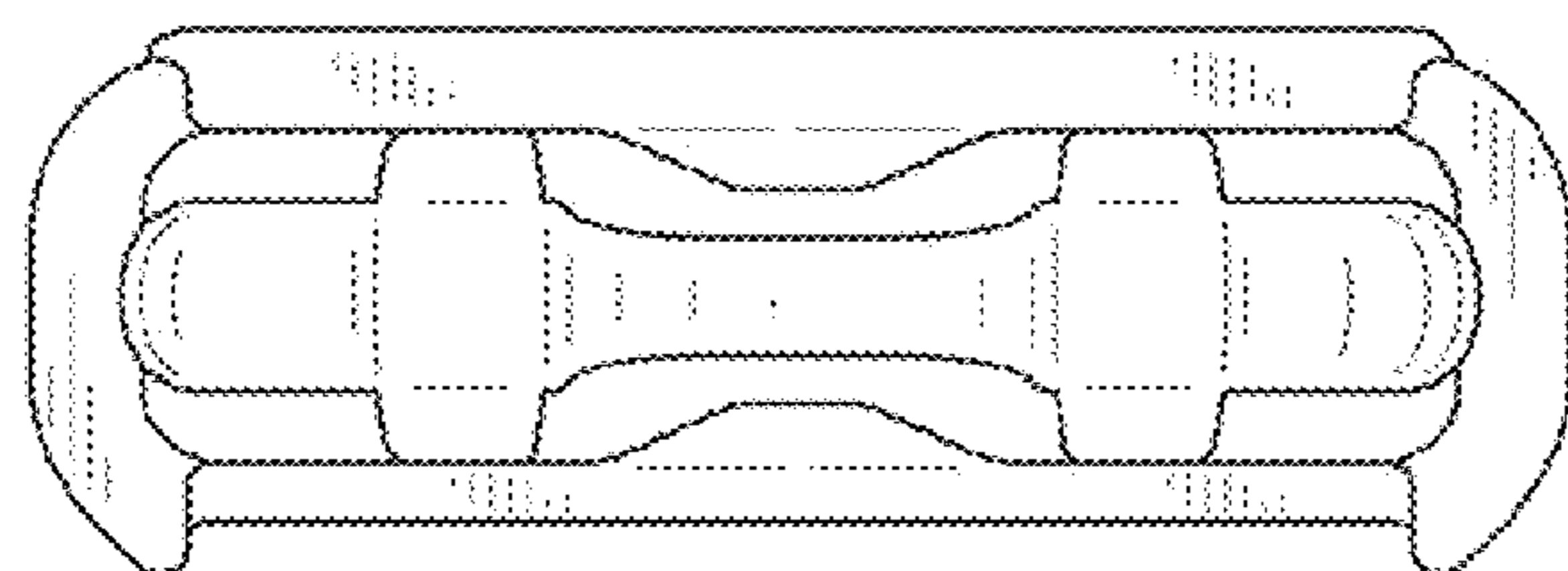


FIG. 11

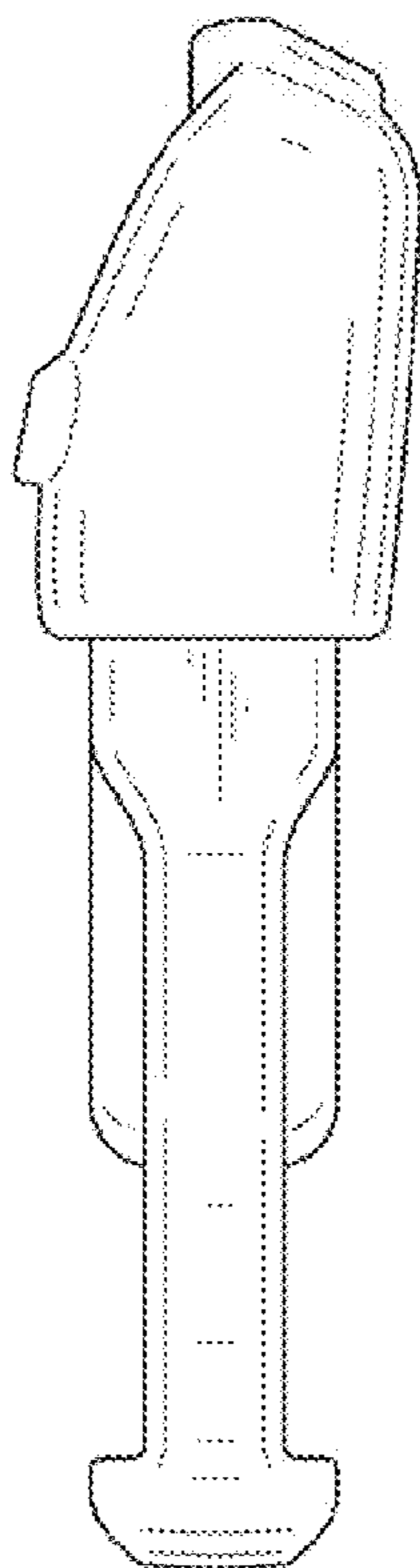


FIG. 12

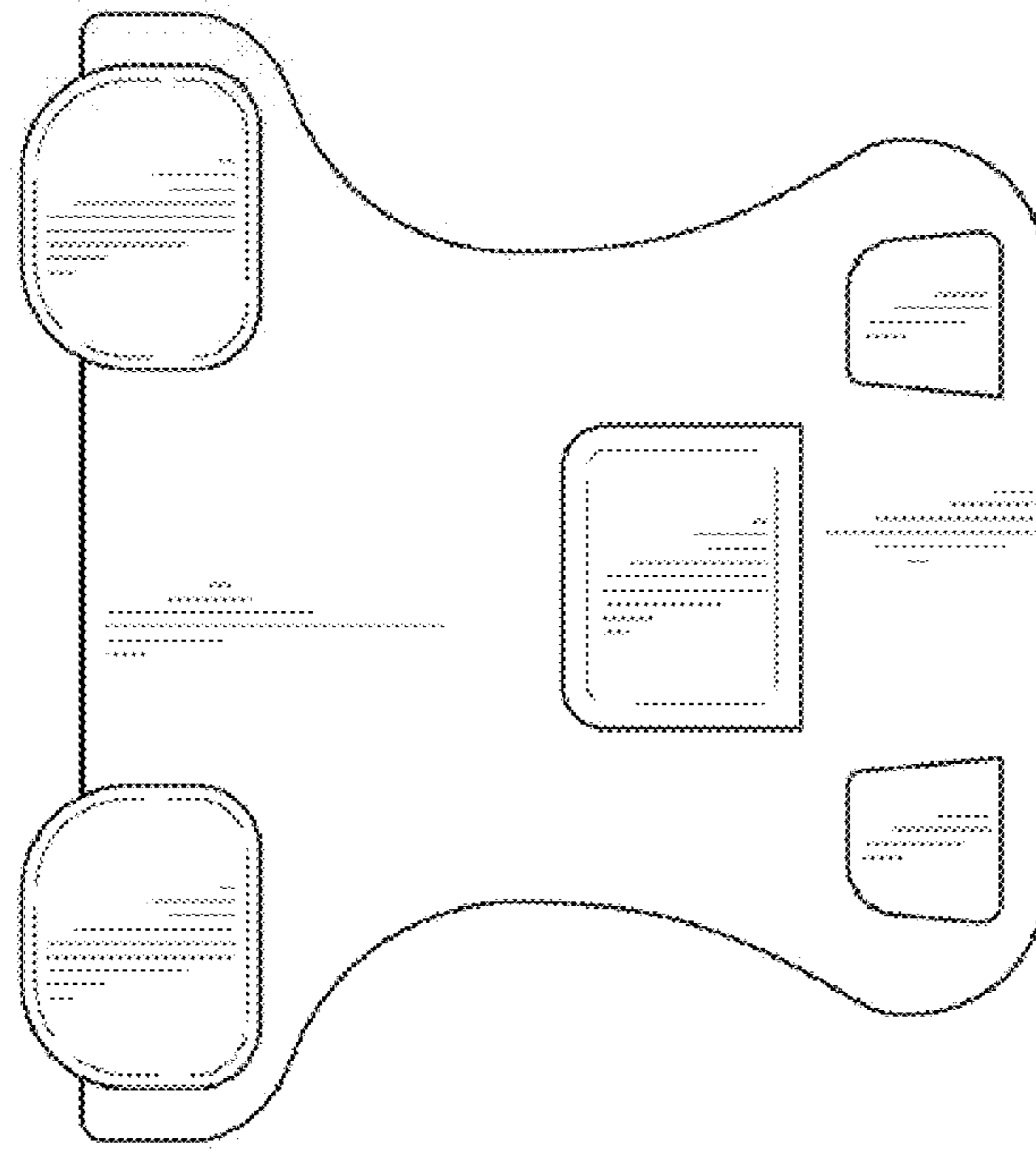


FIG. 14

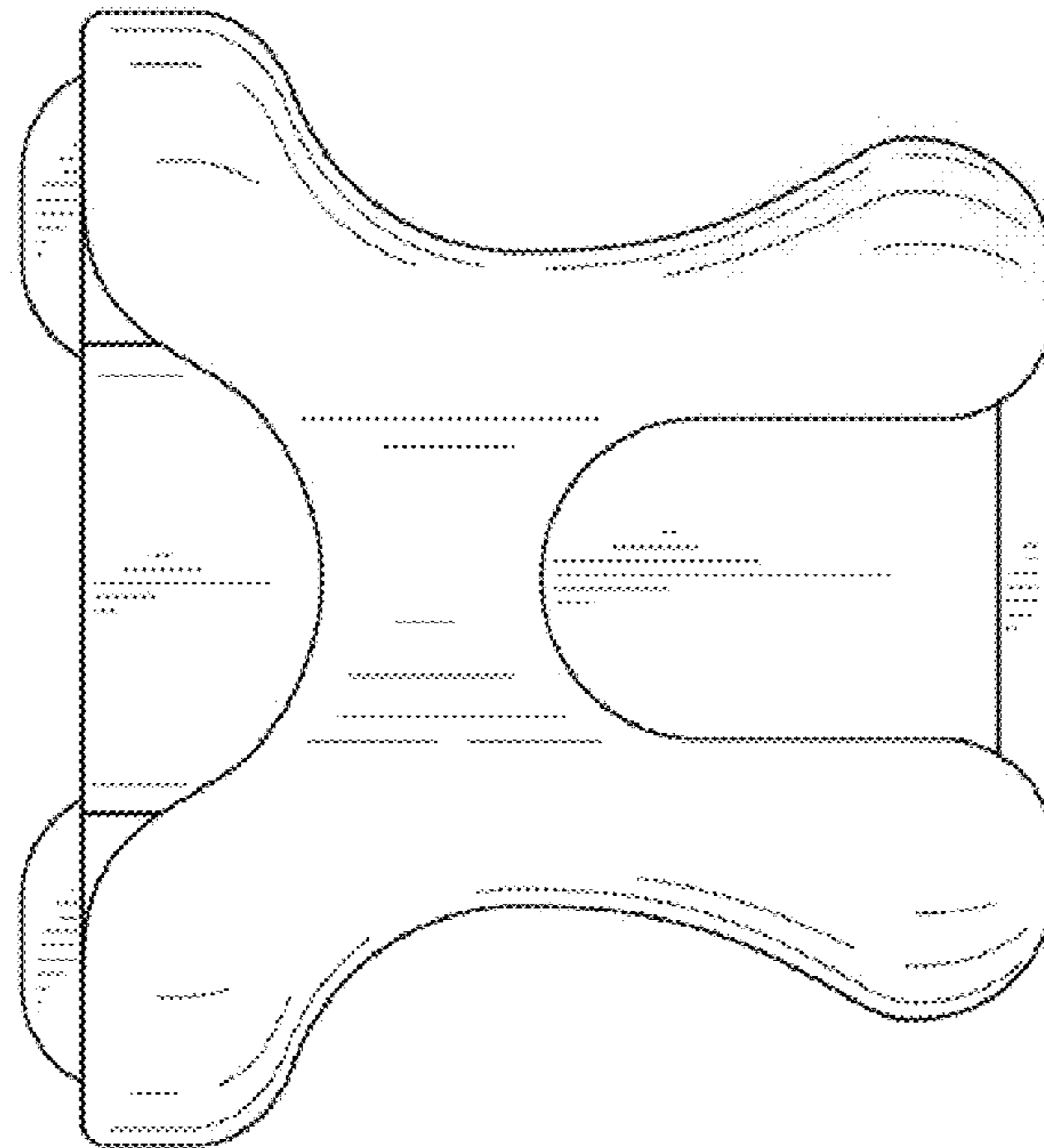


FIG. 13

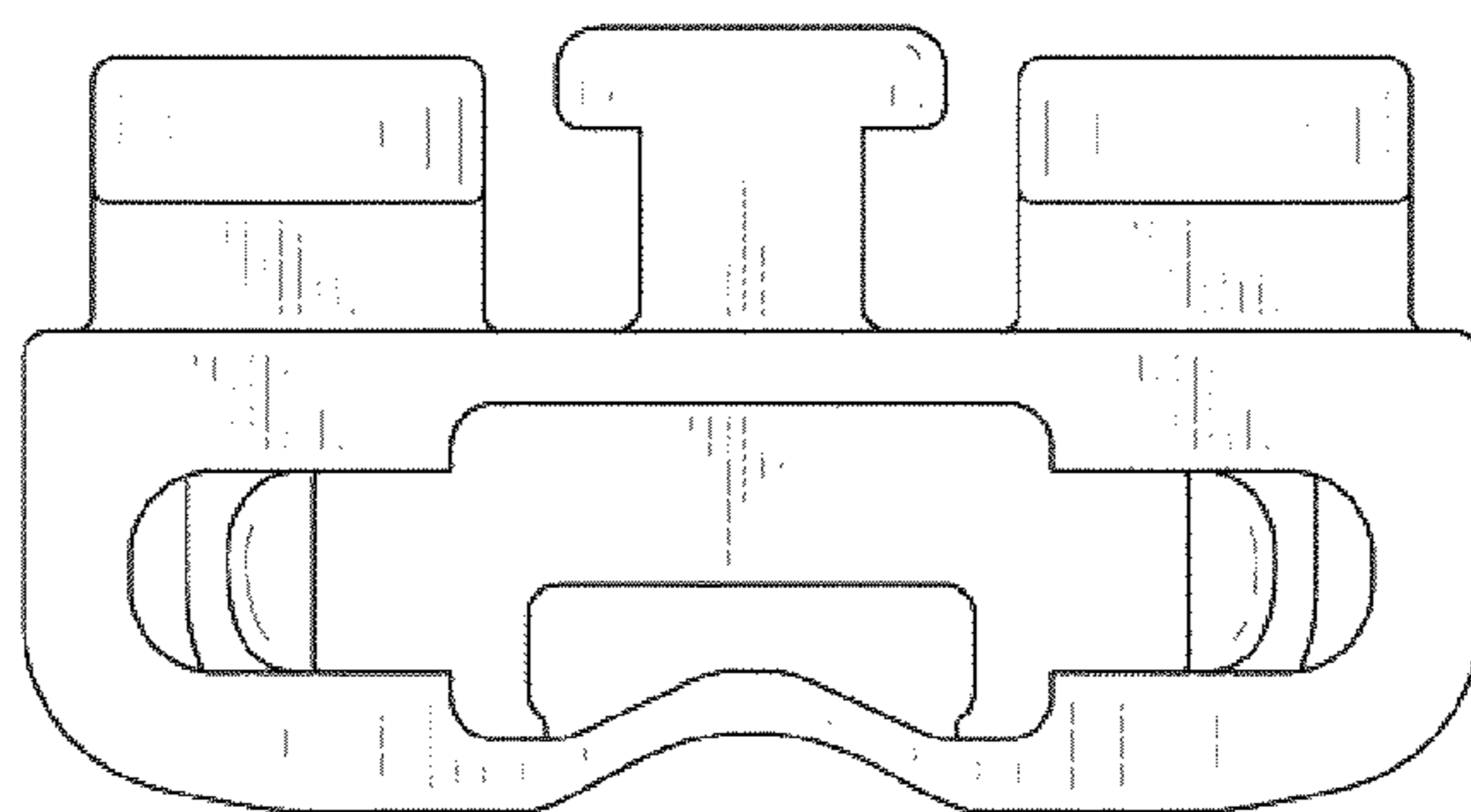


FIG. 15

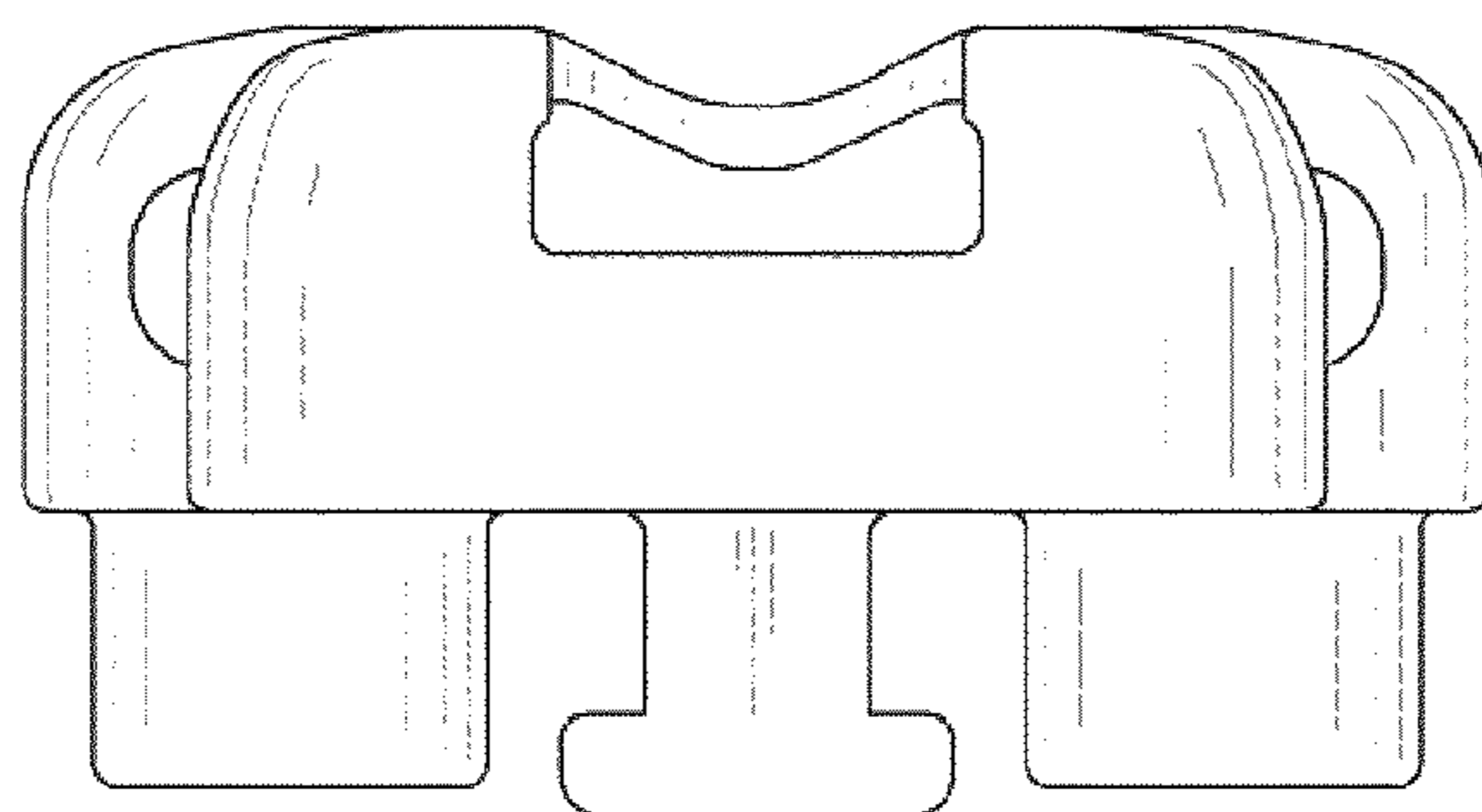


FIG. 16

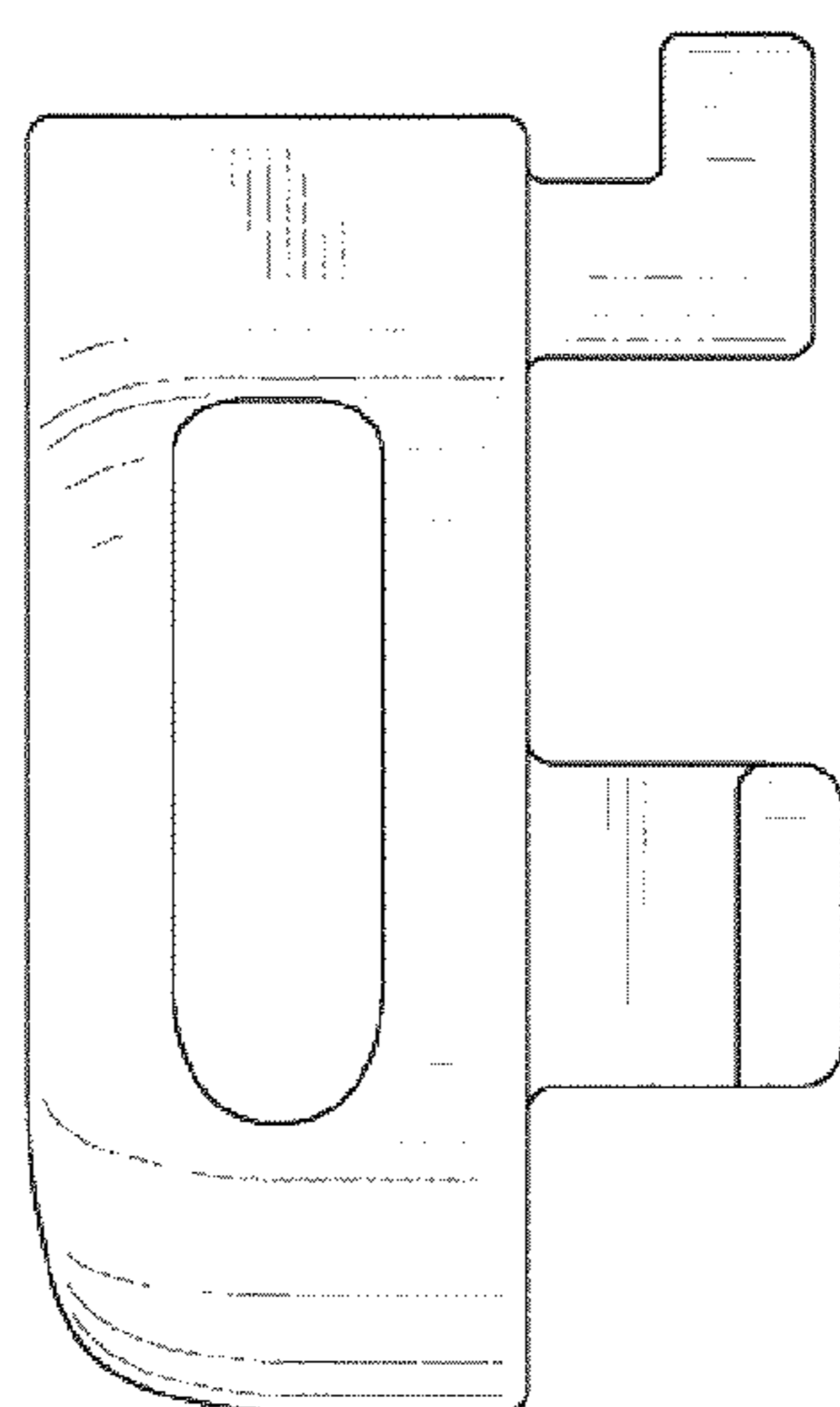


FIG. 17

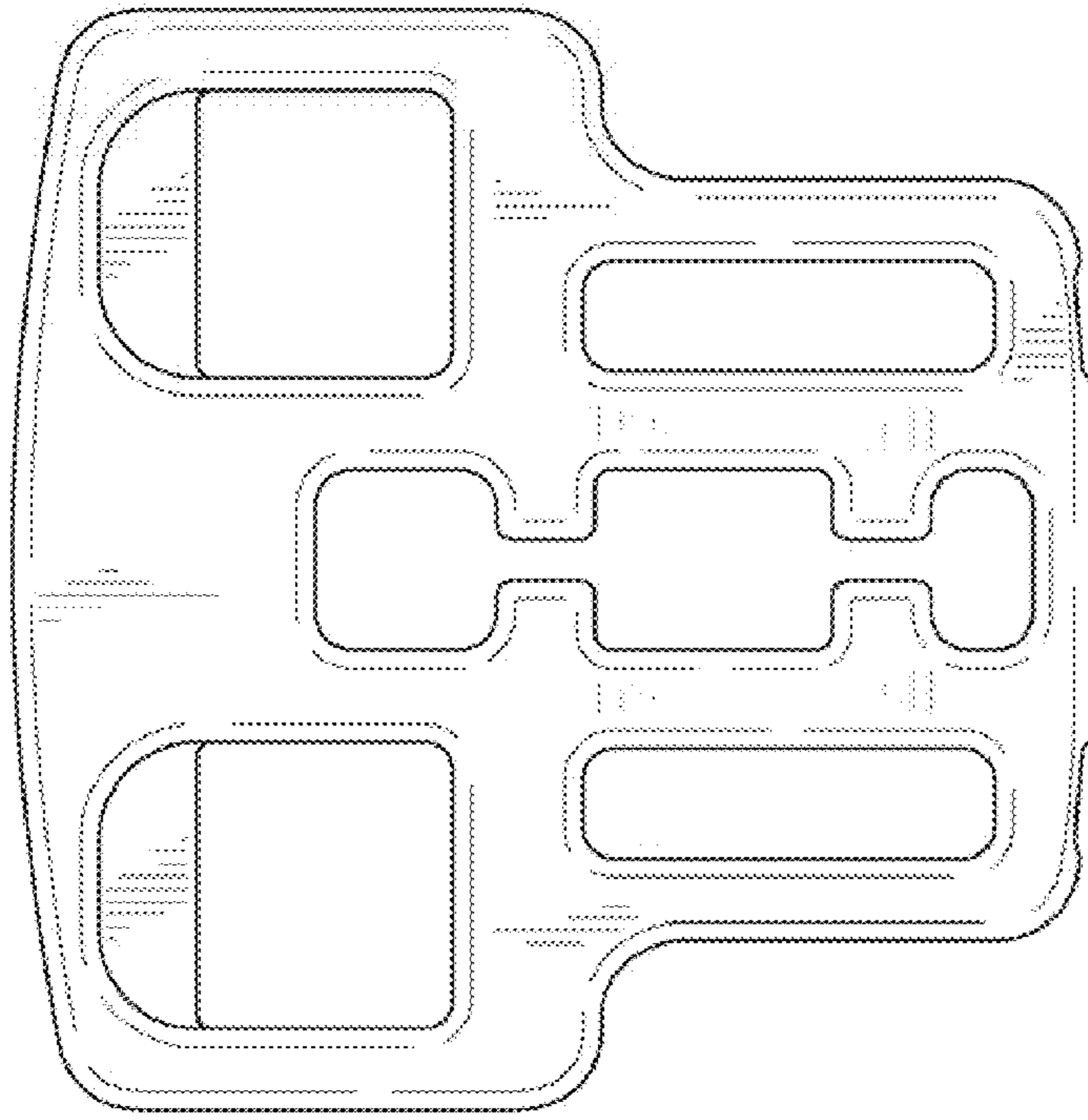


FIG. 19

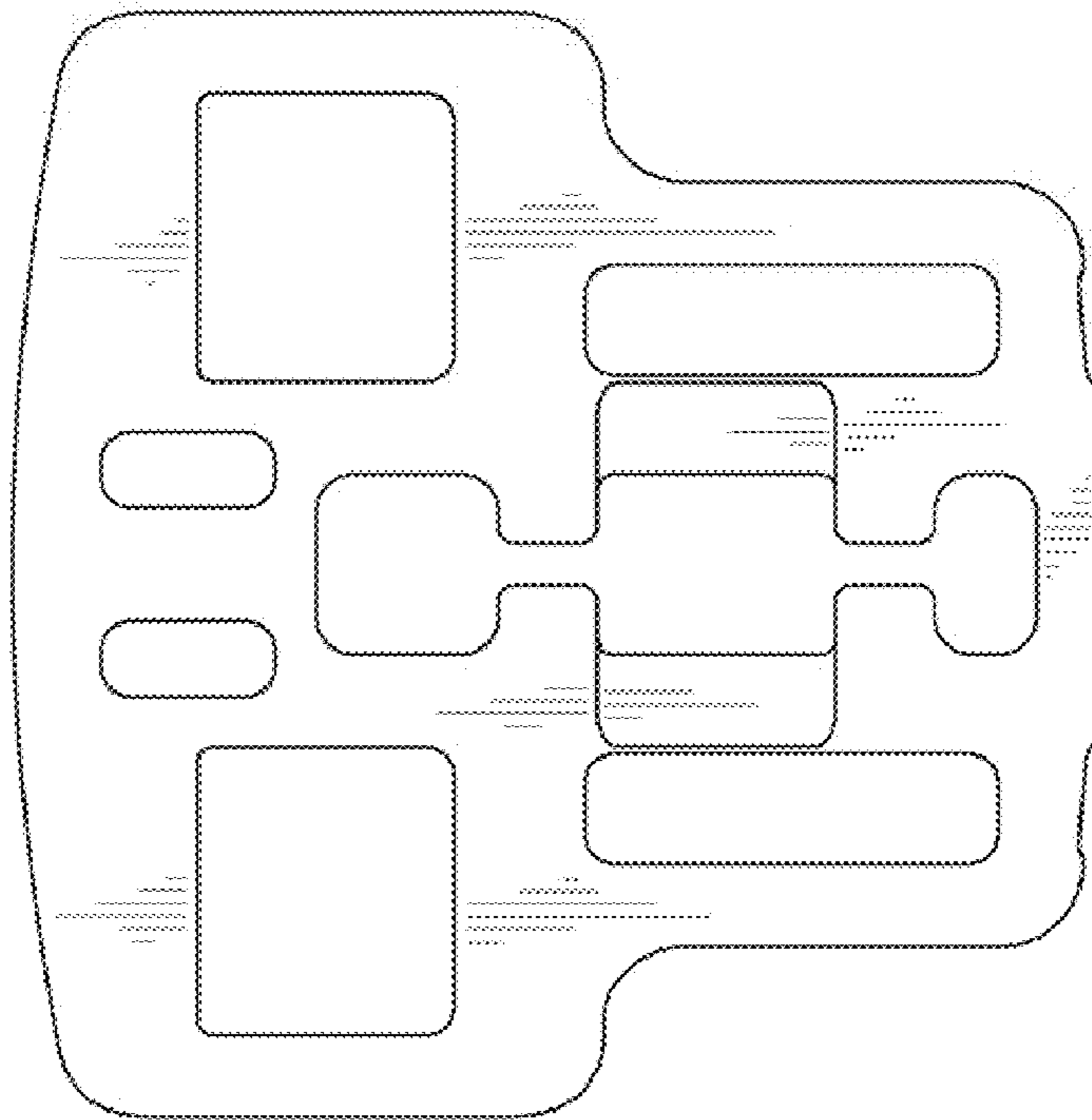


FIG. 18



FIG. 20

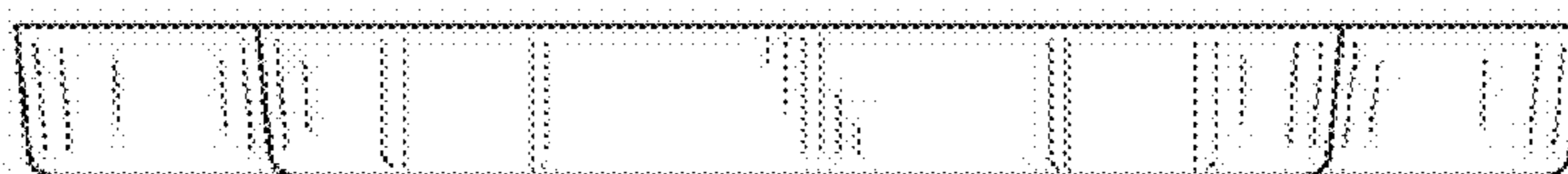


FIG. 21



FIG. 22