



US00D634664S

(12) **United States Design Patent**  
**DaRif**

(10) **Patent No.:** **US D634,664 S**

(45) **Date of Patent:** **\*\* Mar. 22, 2011**

(54) **PRESSURE WASHER PUMP COUPLING ASSEMBLY**

(75) **Inventor:** **Italo DaRif**, Summaga di Portogruaro (IT)

(73) **Assignee:** **IP Cleaning S.p.A.**, Summaga di Portogruaro (Venezia) (IT)

(\*\*) **Term:** **14 Years**

(21) **Appl. No.:** **29/350,033**

(22) **Filed:** **Nov. 10, 2009**

(30) **Foreign Application Priority Data**

May 12, 2009 (IT) ..... MI2009O0087

(51) **LOC (9) Cl.** ..... **15-02**

(52) **U.S. Cl.** ..... **D11/7**

(58) **Field of Classification Search** ..... D15/7-9;  
D23/231, 232, 225; 417/410.1, 359, 415-416,  
417/234, 321, 265, 405

See application file for complete search history.

(56) **References Cited**

U.S. PATENT DOCUMENTS

D476,665 S *	7/2003	Stewart	.....	D15/7
D554,152 S *	10/2007	Ratner	.....	D15/7
D581,950 S *	12/2008	Ratner	.....	D15/7
D591,311 S *	4/2009	Tojo	.....	D15/7

\* cited by examiner

*Primary Examiner* — Ralf Seifert

(74) *Attorney, Agent, or Firm* — Leydig, Voit & Mayer, Ltd.

(57) **CLAIM**

The ornamental design for a pressure washer pump coupling assembly, as shown and described.

**DESCRIPTION**

FIG. 1 is a perspective of a pump and coupling assembly for vertical shaft pressure washers embodying the design of the present invention;

FIG. 2 is a top plan view of the pump and coupling assembly;

FIG. 3 is a left side elevational view of the pump and coupling assembly;

FIG. 4 is a front elevational view of the pump and coupling assembly;

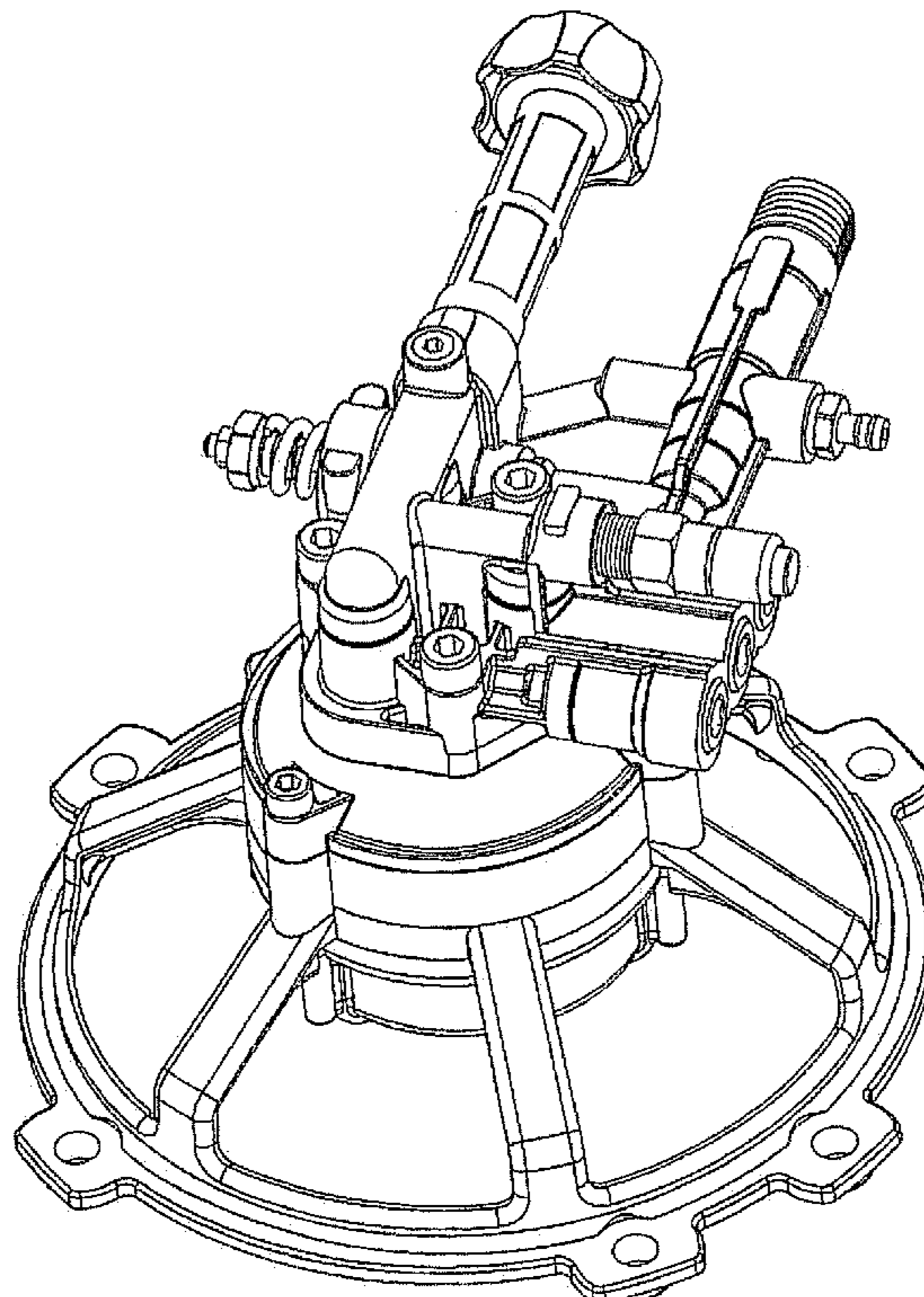
FIG. 5 is a right side elevational view of the pump and coupling assembly;

FIG. 6 is a rear elevational view of the pump and coupling assembly; and,

FIG. 7 is a bottom plan view of the pump and coupling assembly.

The broken lines in FIG. 7 are included for the purpose of illustrating a portion of the pressure washer pump coupling assembly that forms no part of the claimed design.

**1 Claim, 4 Drawing Sheets**



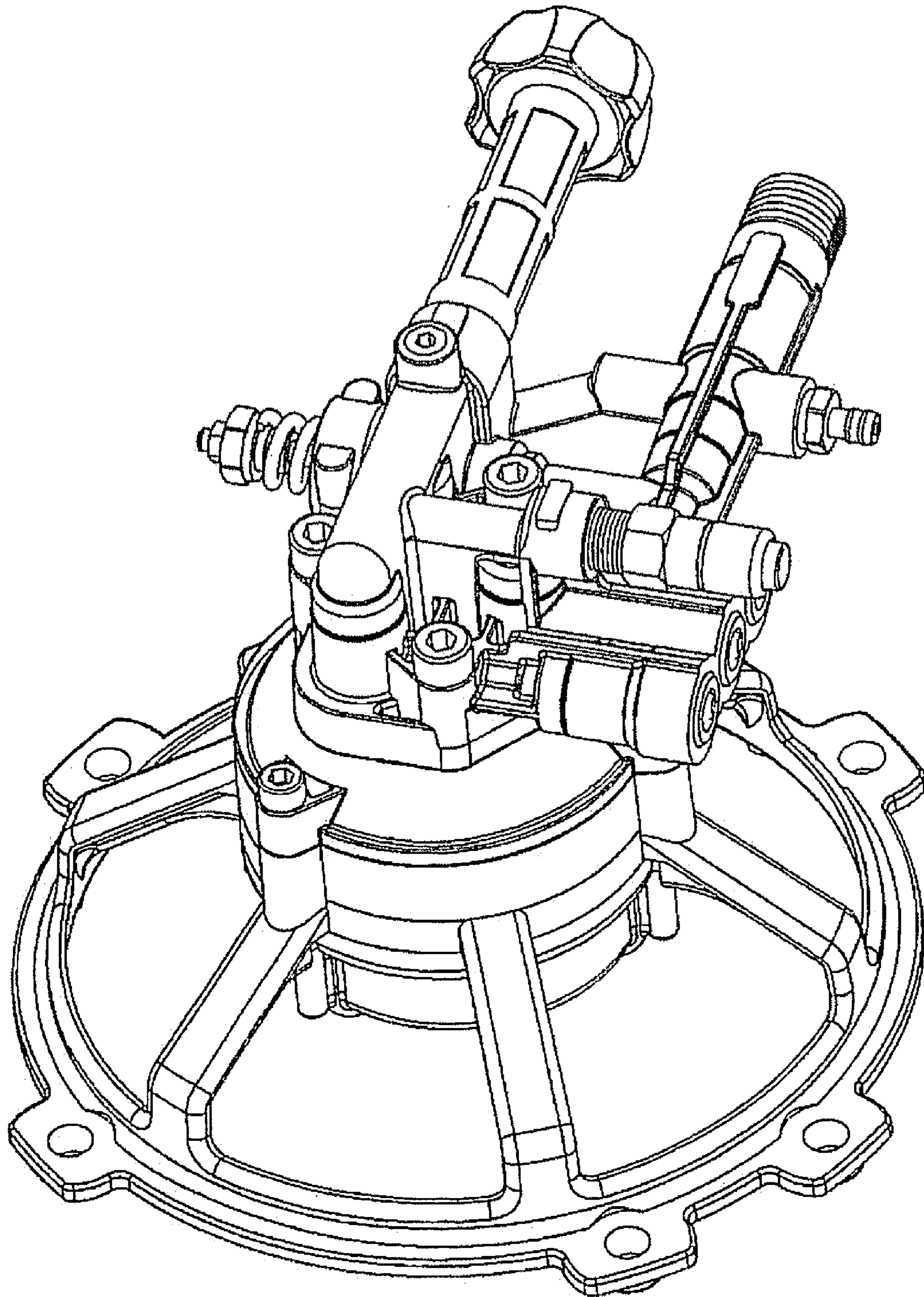


Fig. 1

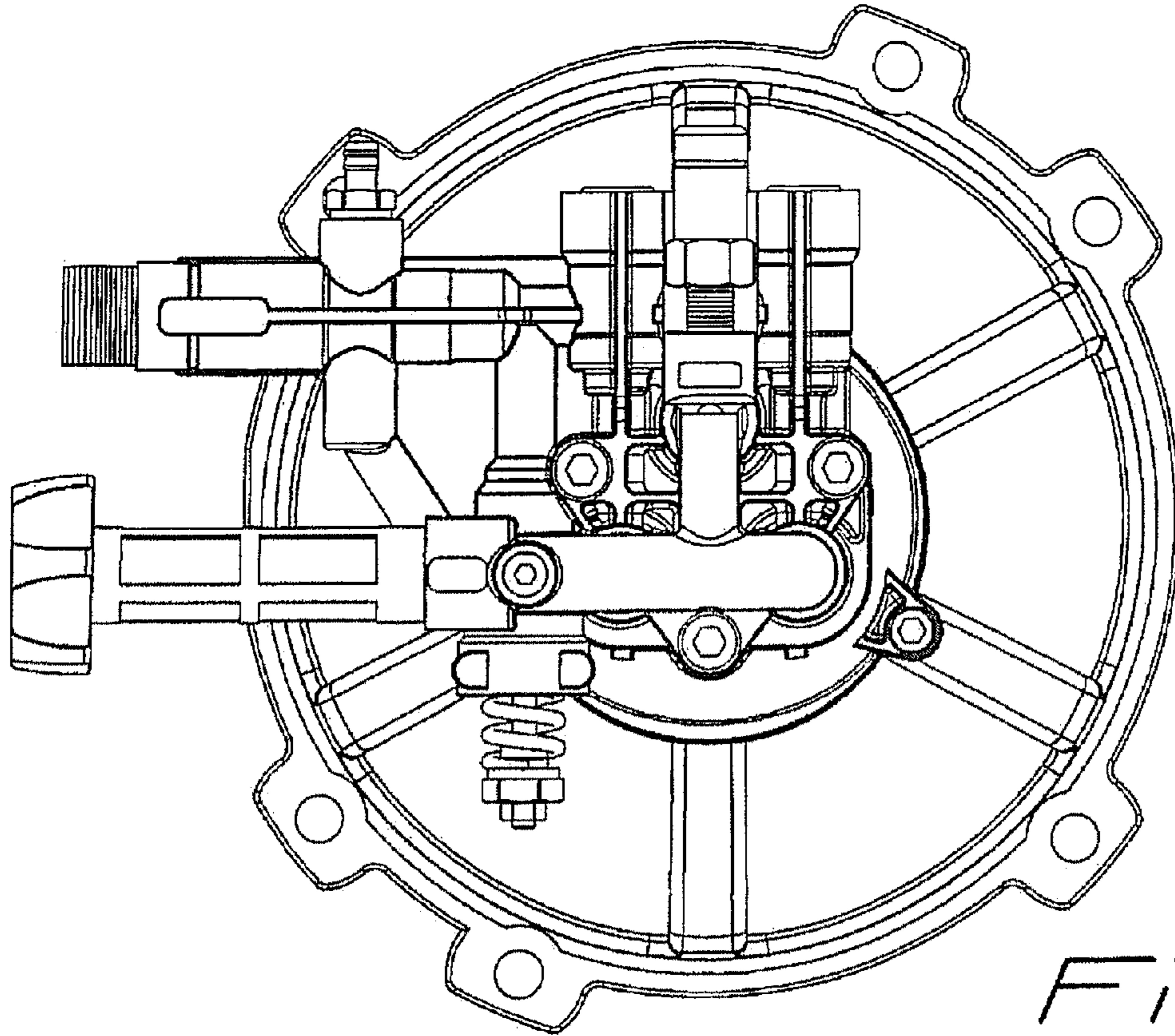


Fig. 2

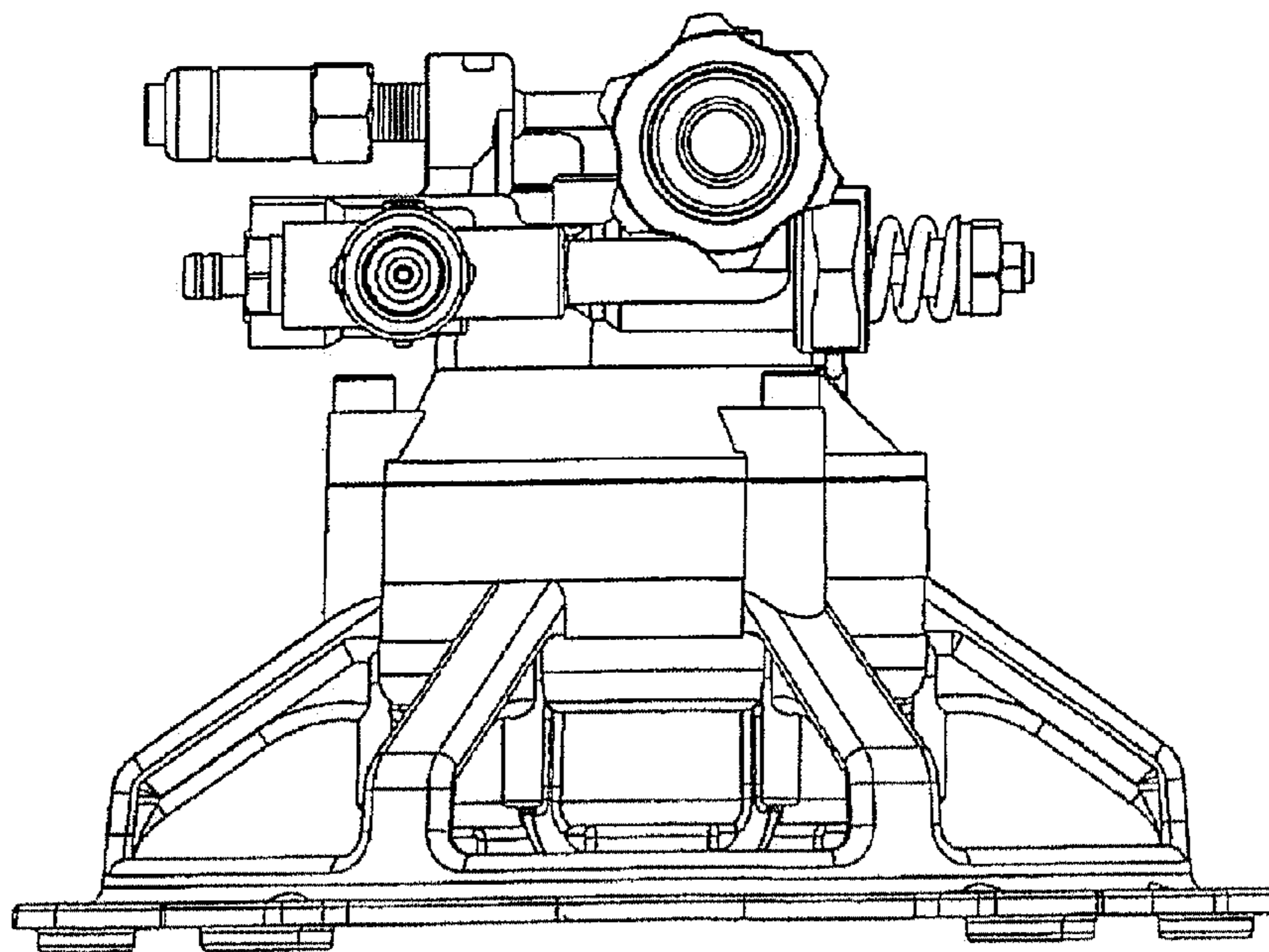


Fig. 3

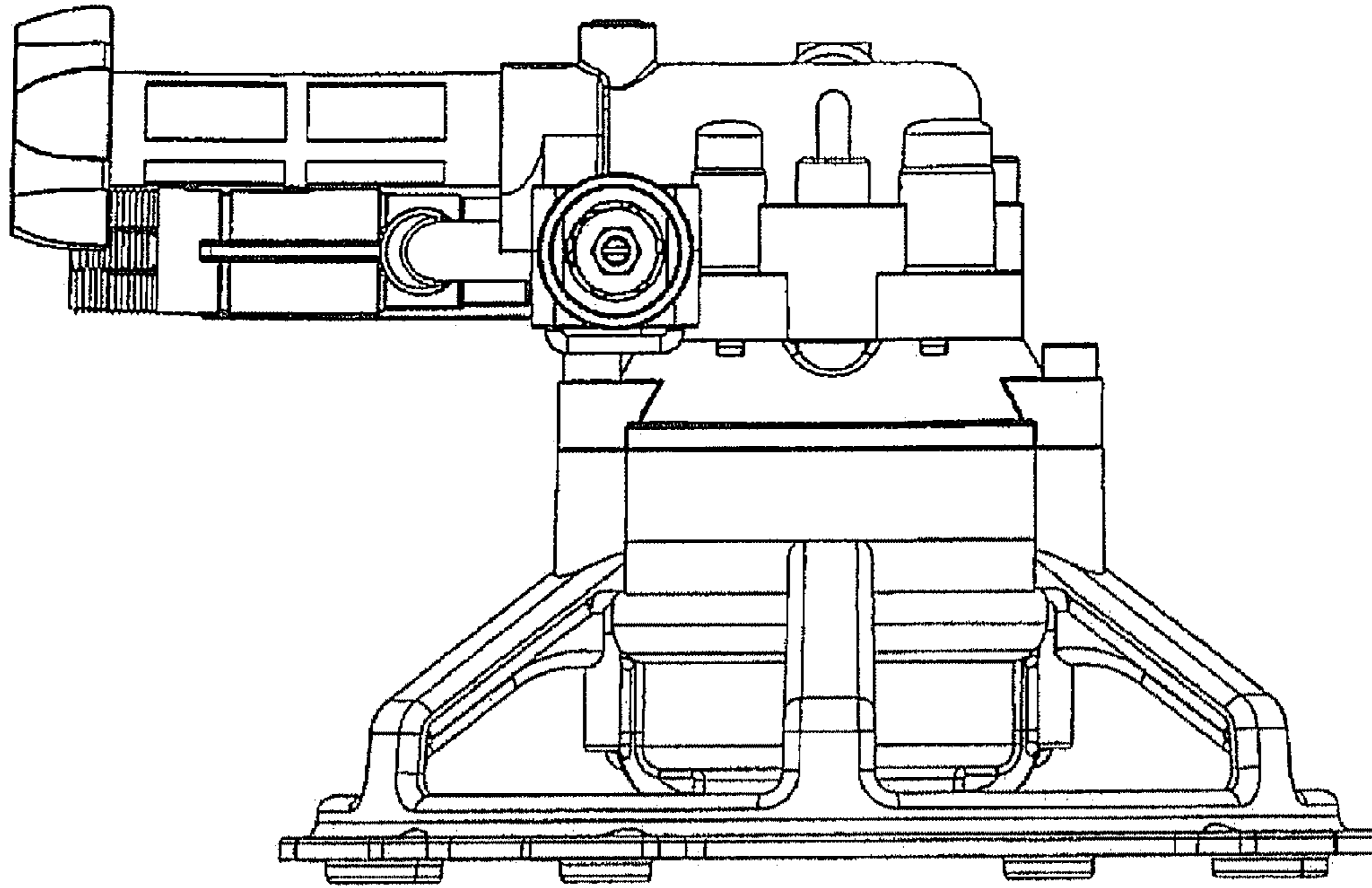


Fig. 4

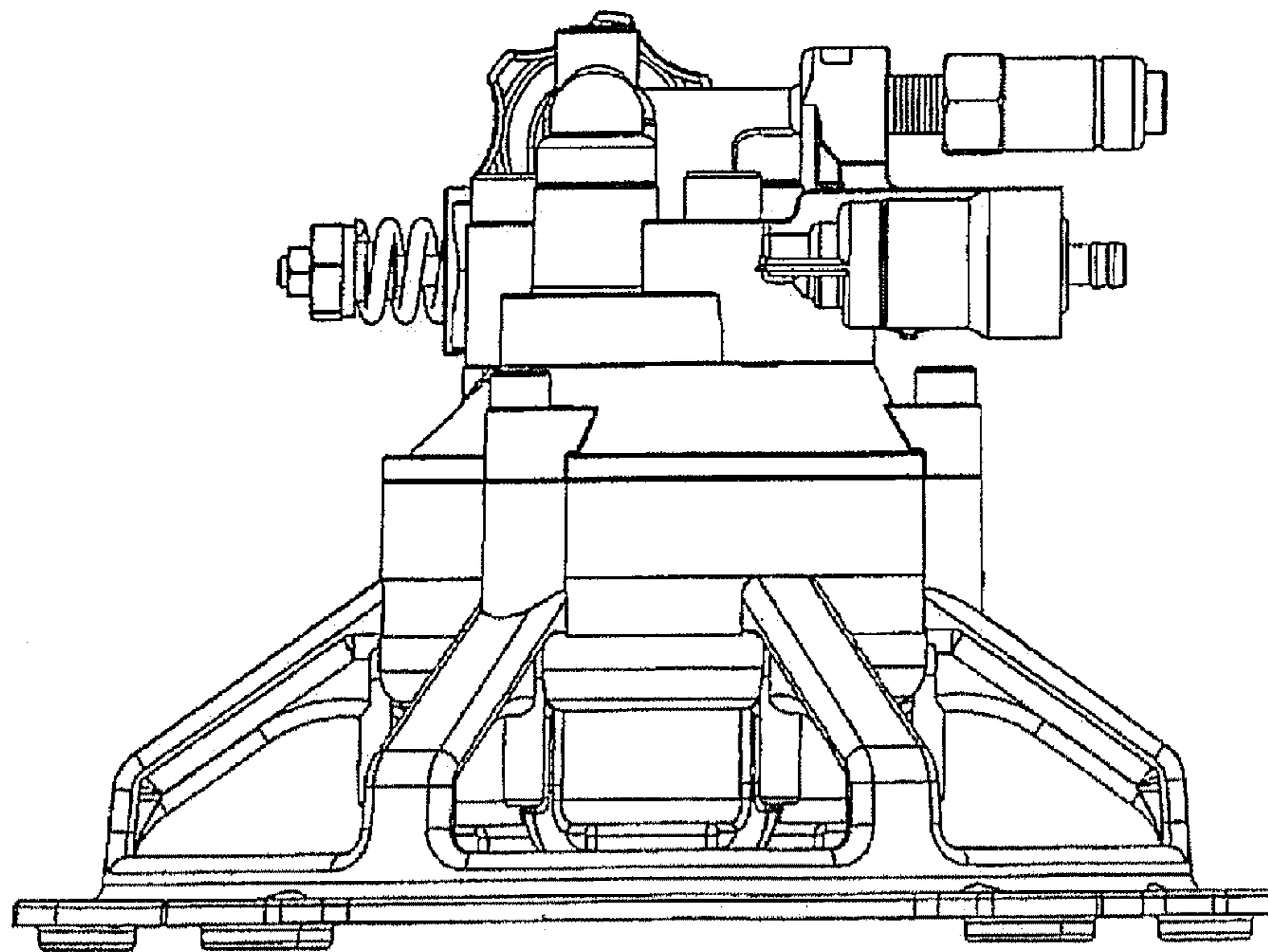


Fig. 5

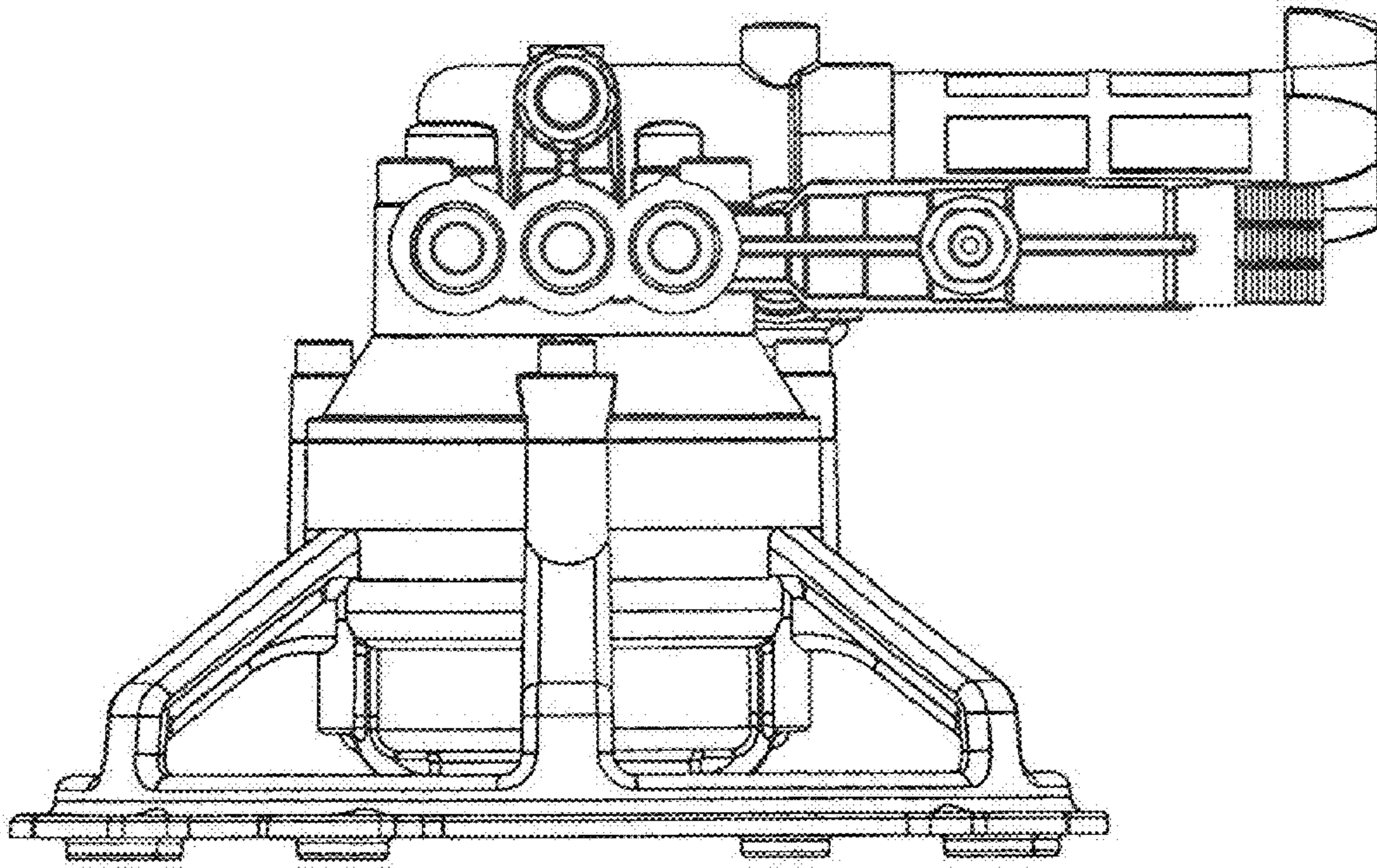


Fig. 6

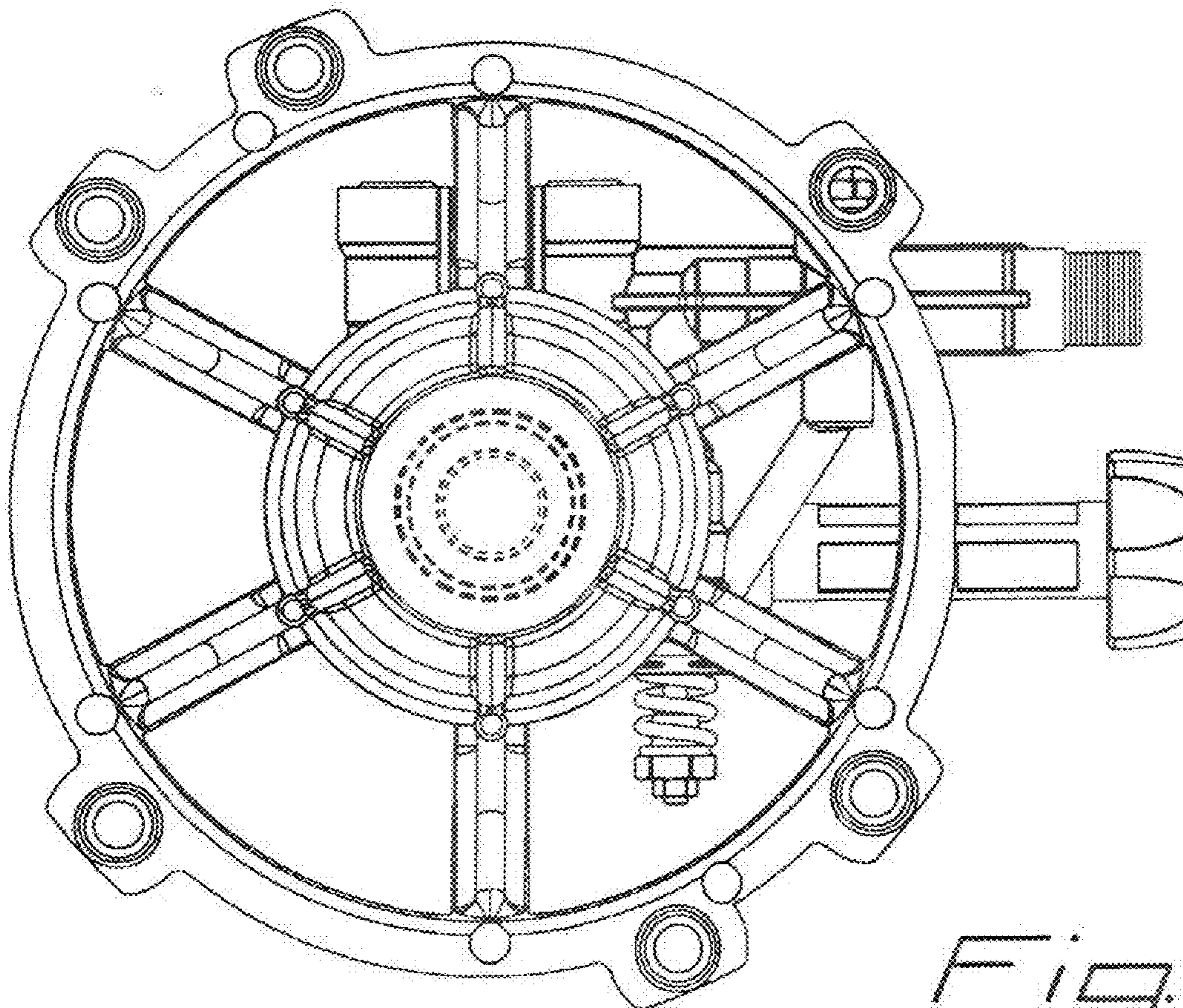


Fig. 7