



US00D634660S

(12) **United States Design Patent**  
**Sahibzada**

(10) **Patent No.:** **US D634,660 S**  
(45) **Date of Patent:** **\*\* Mar. 22, 2011**

- (54) **HOUSING FOR A SMOKE DETECTOR**
- (75) Inventor: **Jörgen Sahibzada**, Västra Frölunda (SE)
- (73) Assignee: **Calectro Aktiebolag**, Vastra Frolunda (SE)
- (\*\*) Term: **14 Years**
- (21) Appl. No.: **29/347,656**
- (22) Filed: **Mar. 30, 2010**

**Related U.S. Application Data**

- (63) Continuation-in-part of application No. 12/588,027, filed on Oct. 1, 2009.
- (51) **LOC (9) Cl.** ..... **10-05**
- (52) **U.S. Cl.** ..... **D10/106**
- (58) **Field of Classification Search** ..... D10/104, D10/106; 340/521, 540-545, 555, 558, 571-573  
See application file for complete search history.

(56) **References Cited**

**U.S. PATENT DOCUMENTS**

D297,316 S *	8/1988	Mastro	.....	D10/106
5,873,357 A	2/1999	Lake		
D422,521 S *	4/2000	Morrow	.....	D10/106
D577,301 S *	9/2008	Johnson et al.	.....	D10/81
D608,671 S *	1/2010	Treharne	.....	D10/106

**FOREIGN PATENT DOCUMENTS**

DE	10221931	11/2002
DE	29825224	7/2006
DE	10-2005-031083	1/2007

WO	WO 94/26352	11/1994
WO	WO 99/21018	4/1999
WO	WO 2006/078204	7/2006

**OTHER PUBLICATIONS**

Extended Search Report for European patent application No. 10180927.5 dated Jan. 19, 2011.

\* cited by examiner

*Primary Examiner* — Caron Veynar  
*Assistant Examiner* — George D Kirschbaum  
(74) *Attorney, Agent, or Firm* — Harness, Dickey & Pierce, P.L.C.

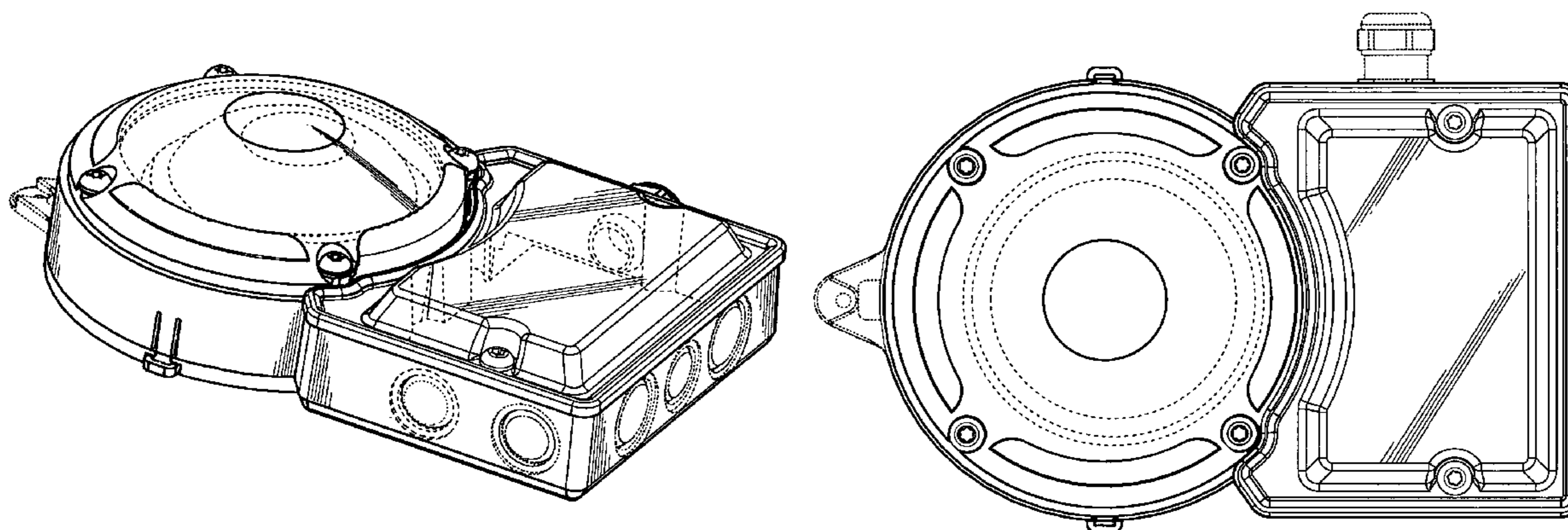
(57) **CLAIM**

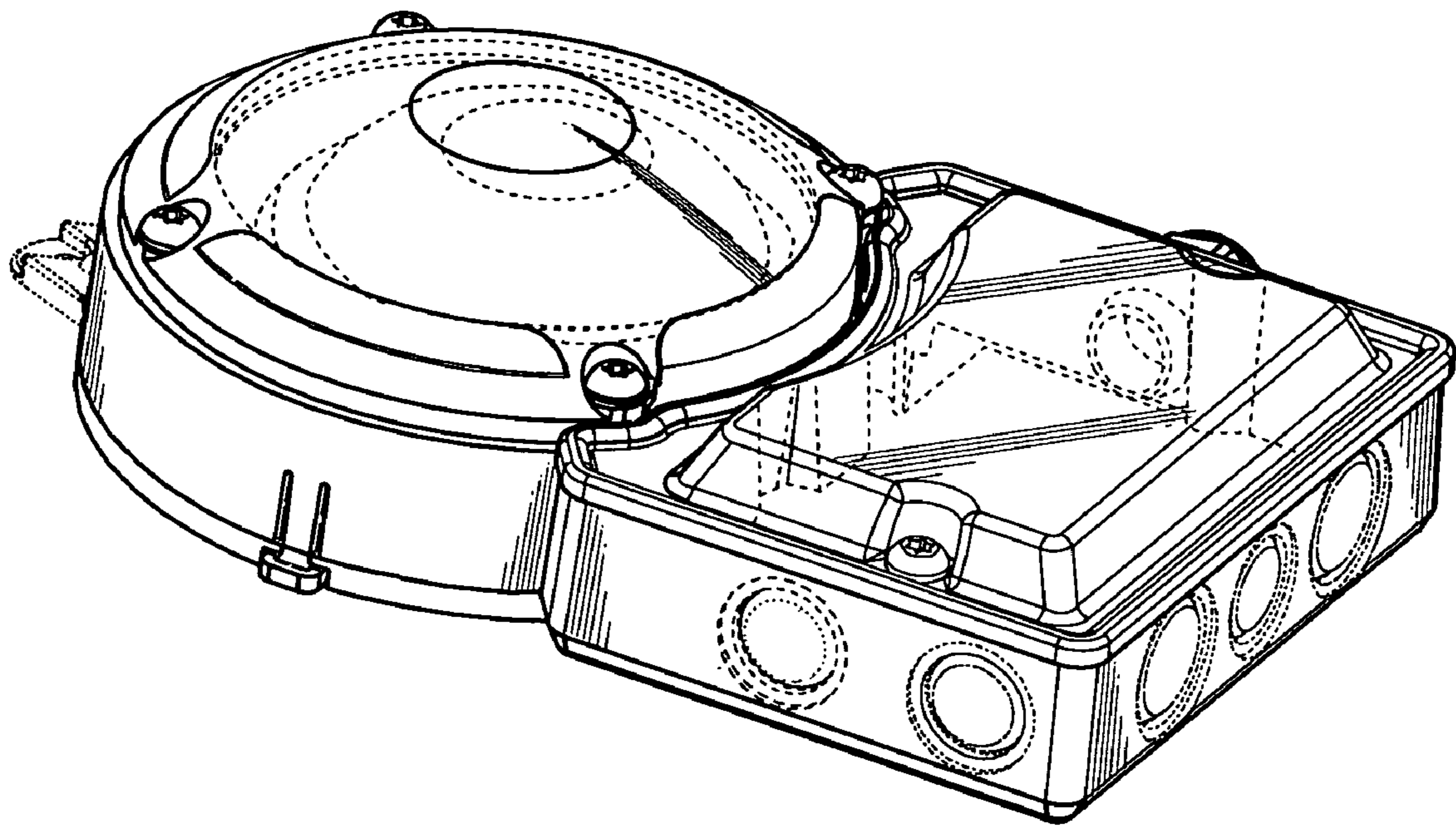
The ornamental design for a housing for a smoke detector, as shown and described.

**DESCRIPTION**

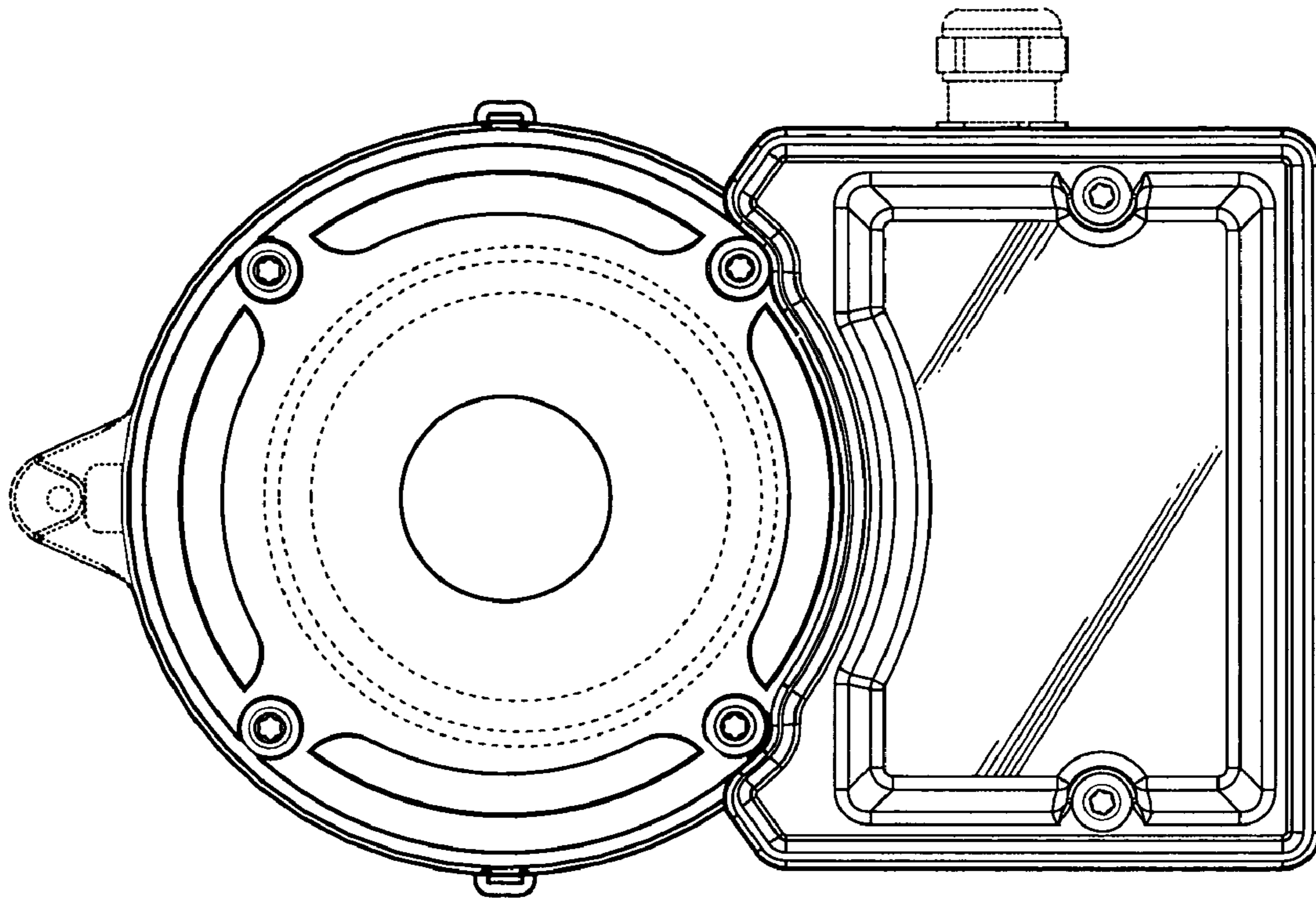
FIG. 1 is a perspective view of a housing for a smoke detector showing my new design;  
FIG. 2 is a top view thereof;  
FIG. 3 is a left side view thereof;  
FIG. 4 is a right side view thereof;  
FIG. 5 is a bottom view thereof;  
FIG. 6 is a rear view thereof; and,  
FIG. 7 is a front view thereof.  
The broken lines shown in the drawings are for illustrative purposes only and form no part of the claimed design.

**1 Claim, 4 Drawing Sheets**

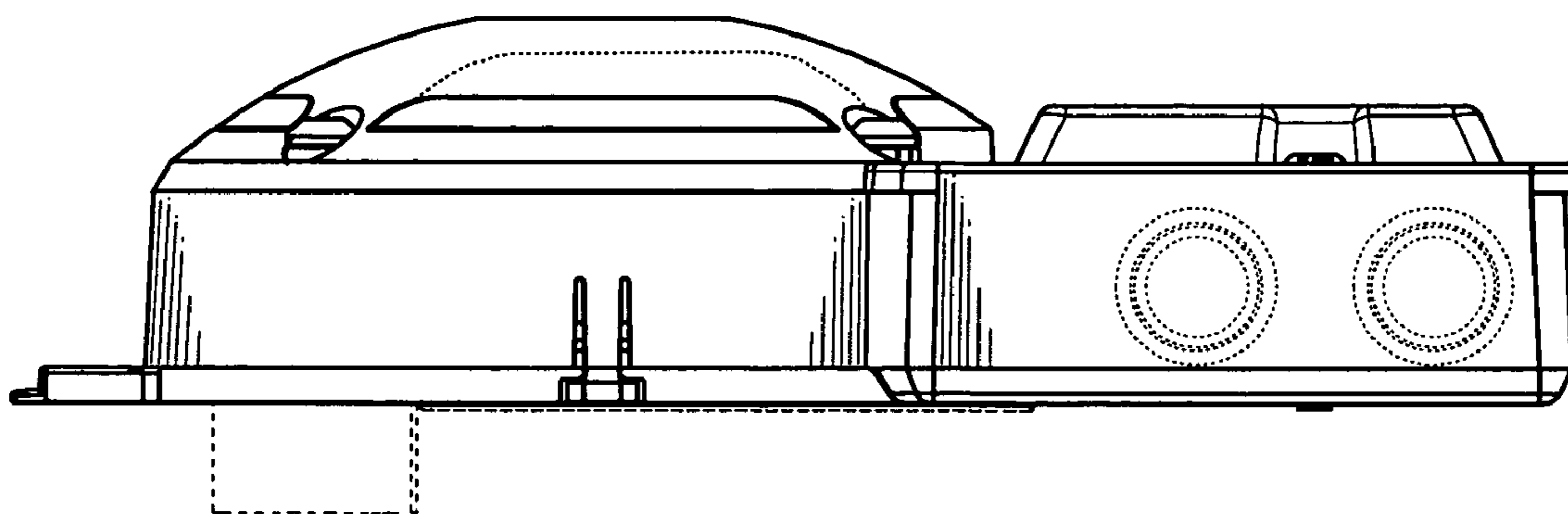




*Fig. 1*



*Fig. 2*



*Fig. 3*

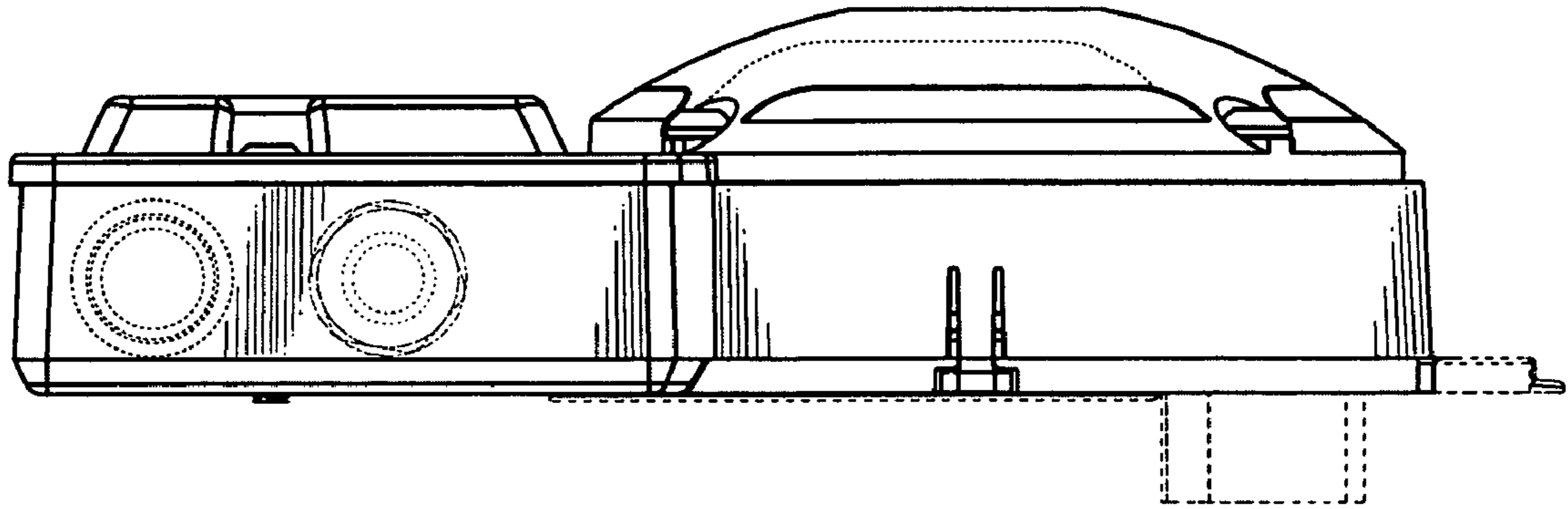


Fig. 4

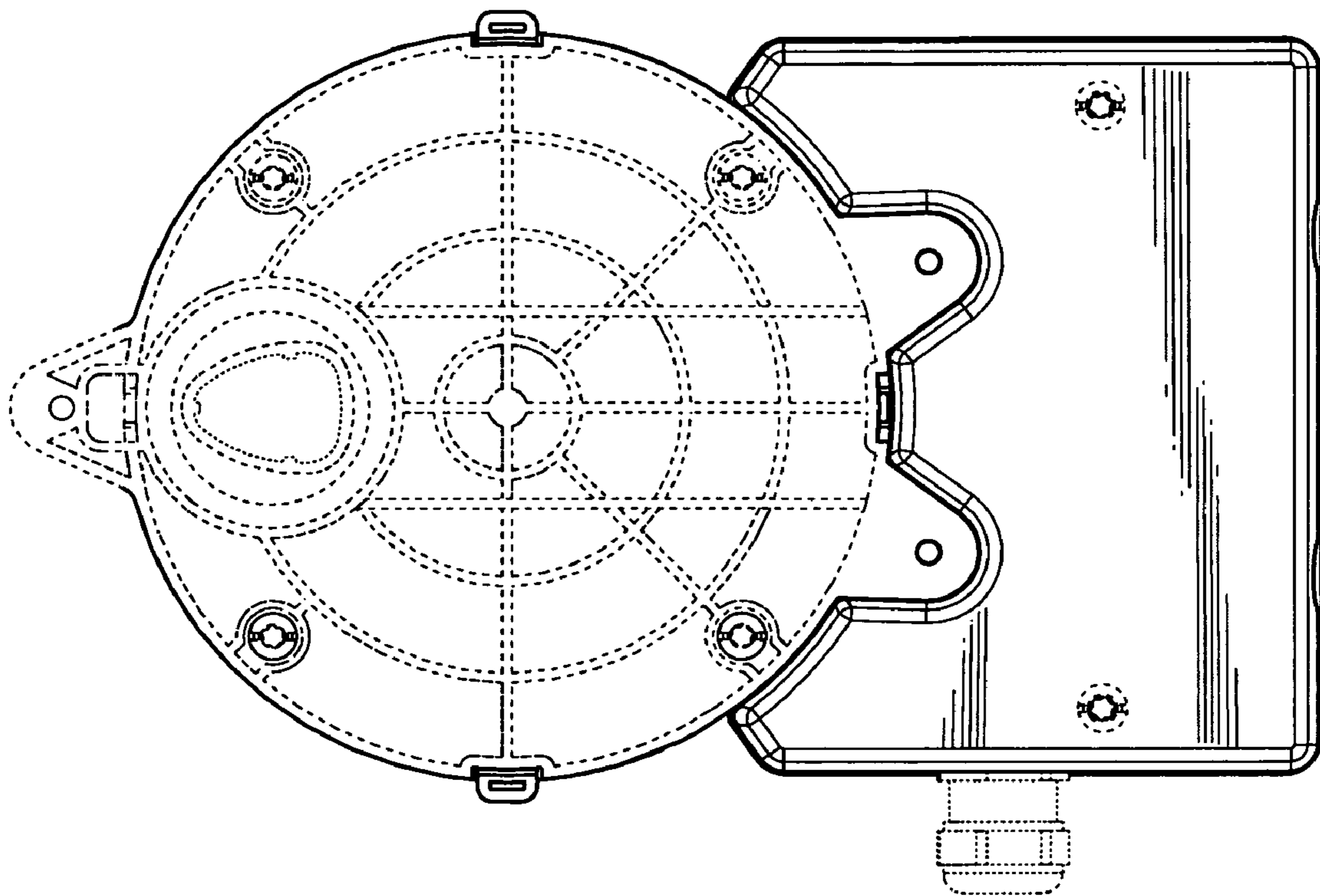
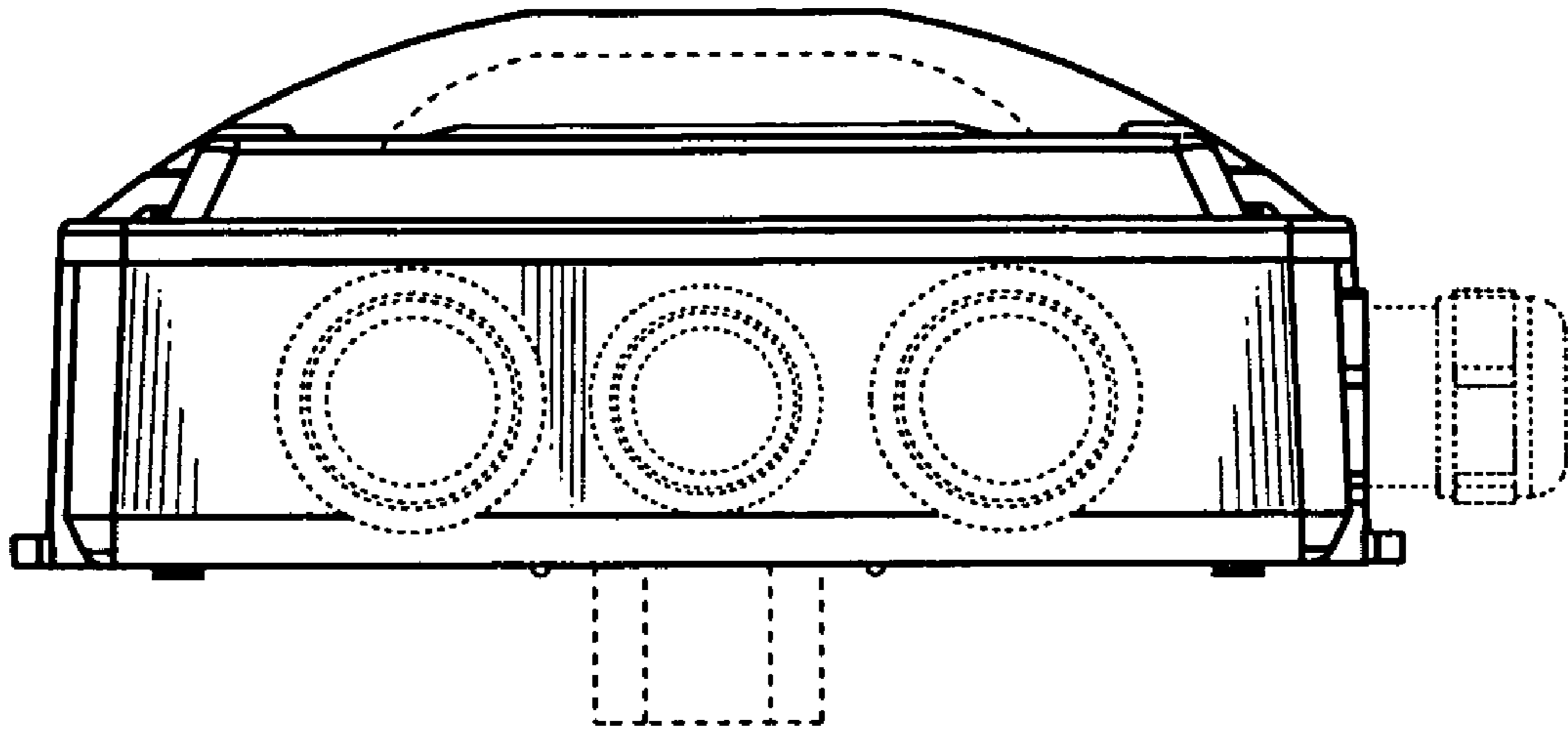
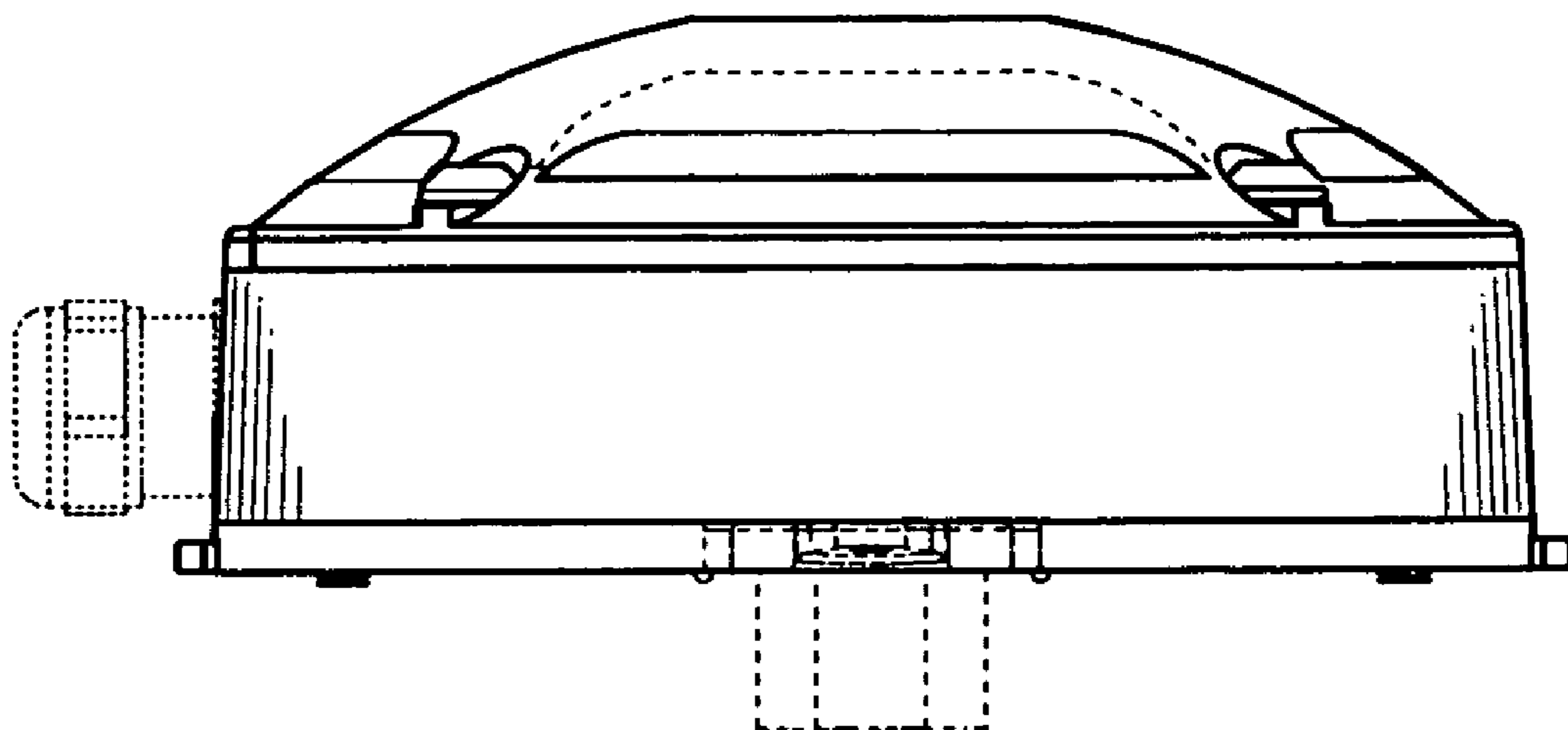


Fig. 5



*Fig. 6*



*Fig. 7*