



US00D634659S

(12) **United States Design Patent**  
**Kadota**

(10) **Patent No.:** **US D634,659 S**  
(45) **Date of Patent:** **\*\* Mar. 22, 2011**

(54) **COLUMN FOR CHROMATOGRAPH**

(75) Inventor: **Yasuhiko Kadota**, Tokyo (JP)

(73) Assignee: **Shiseido Co., Ltd.**, Tokyo (JP)

(\*\*) Term: **14 Years**

(21) Appl. No.: **29/347,650**

(22) Filed: **Mar. 29, 2010**

(30) **Foreign Application Priority Data**

Jan. 29, 2010 (JP) ..... D2010-002057

(51) **LOC (9) Cl.** ..... **10-04**

(52) **U.S. Cl.** ..... **D10/81**

(58) **Field of Classification Search** ..... D10/81;

D24/232; 210/198.2, 635, 656, 659

See application file for complete search history.

(56) **References Cited**

**U.S. PATENT DOCUMENTS**

D320,949 S \* 10/1991 Kopf ..... D10/81

D417,408 S \* 12/1999 Rigoli ..... D10/81

D500,555 S \* 1/2005 Hellstrom ..... D10/81  
D500,856 S \* 1/2005 Hellstrom ..... D10/81  
D600,579 S \* 9/2009 Wounder ..... D10/81  
D601,912 S \* 10/2009 Gebauer et al. .... D10/81  
2010/0181240 A1 \* 7/2010 Rahn et al. .... 210/198.2

\* cited by examiner

*Primary Examiner* — Antoine D Davis

(74) *Attorney, Agent, or Firm* — Manabu Kanesaka

(57) **CLAIM**

The ornamental design for a column for chromatograph, as shown and described.

**DESCRIPTION**

FIG. 1 is a perspective view of a column for chromatograph showing my new design;

FIG. 2 is a front view thereof;

FIG. 3 is a rear view thereof;

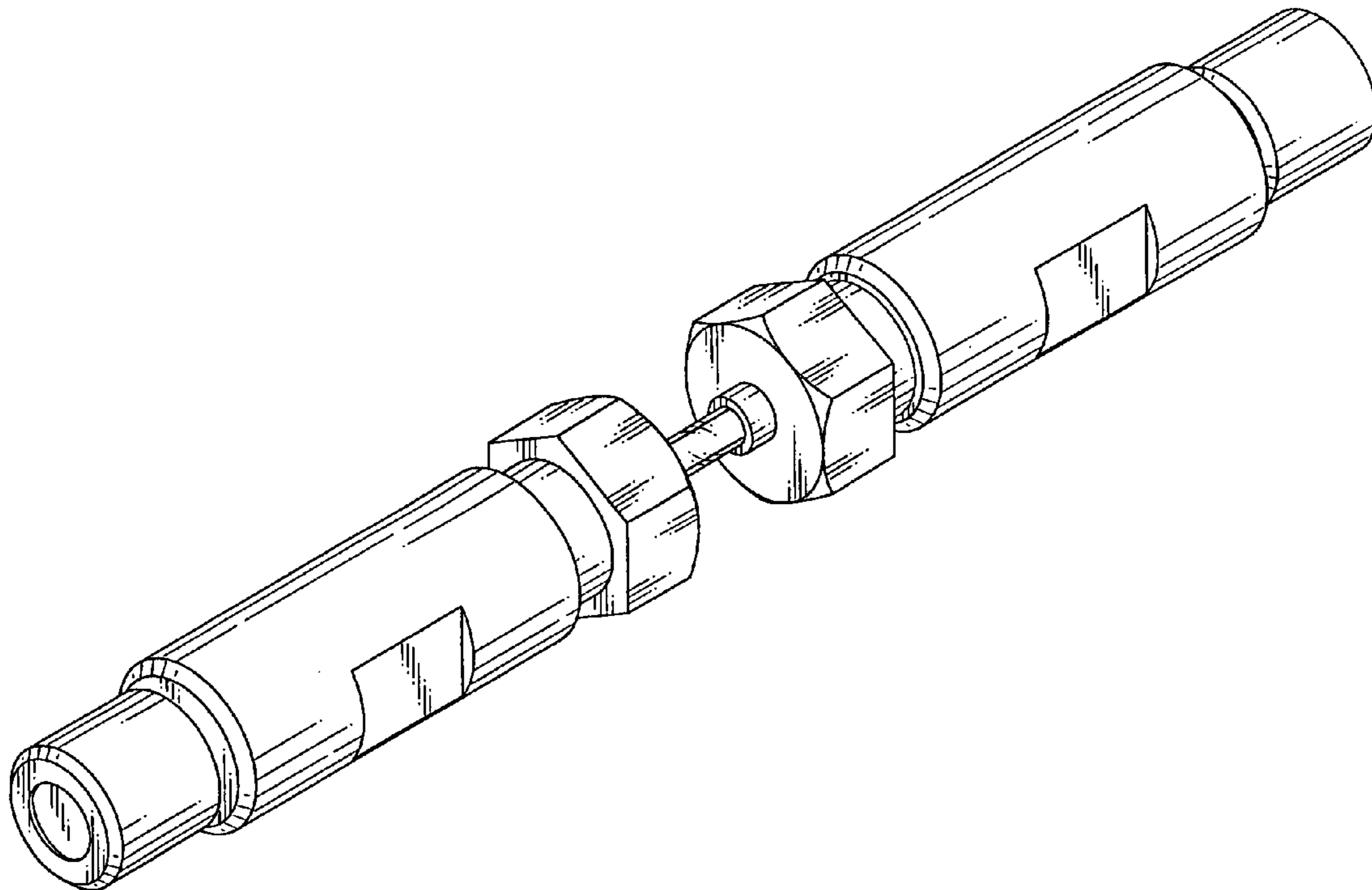
FIG. 4 is a plan view thereof;

FIG. 5 is bottom view thereof;

FIG. 6 is a right side view thereof; and,

FIG. 7 is a left side view thereof.

**1 Claim, 4 Drawing Sheets**



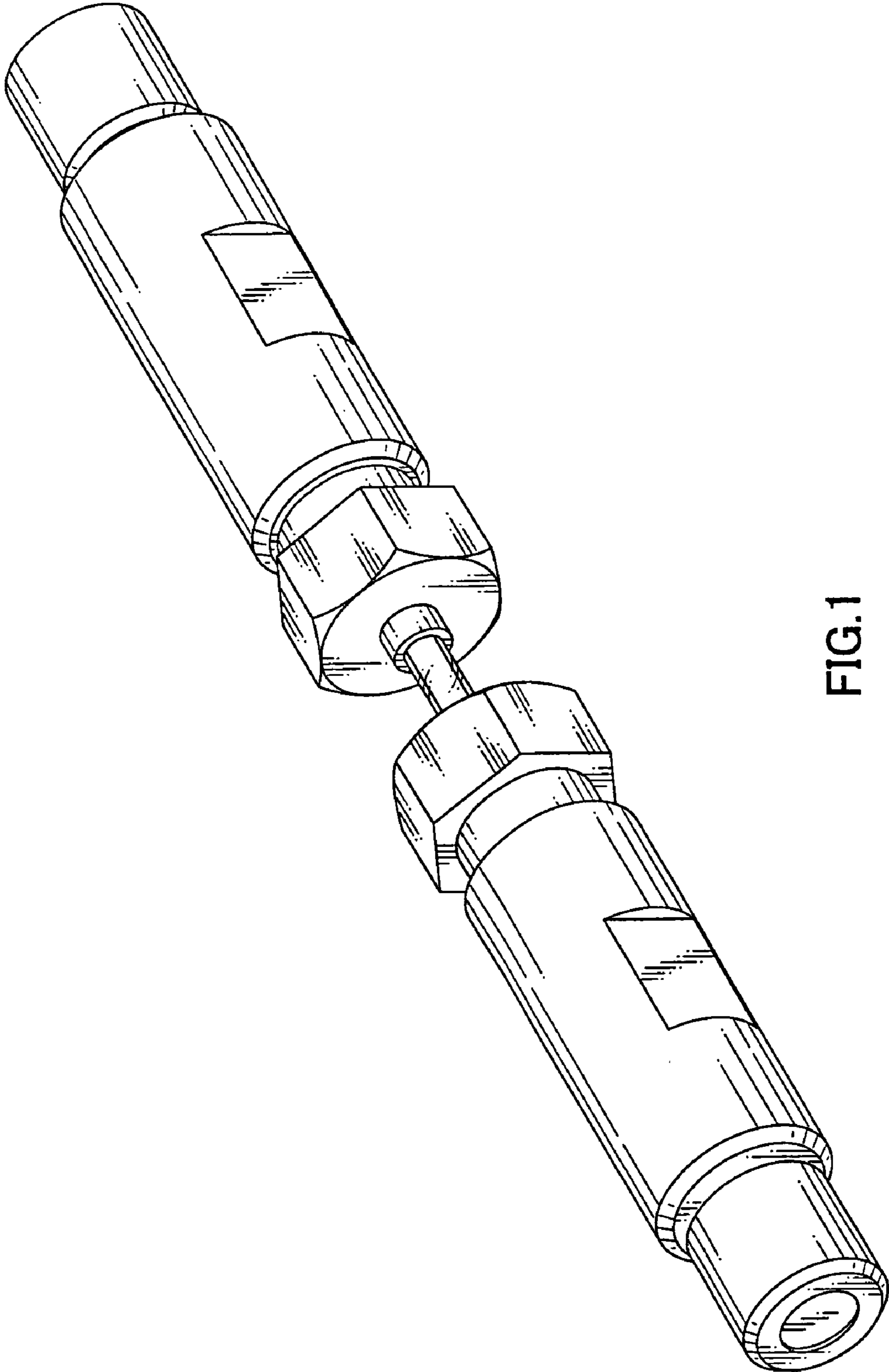


FIG.1

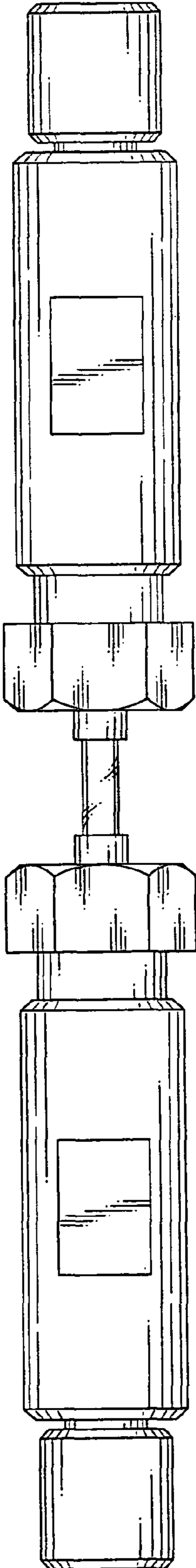


FIG.2

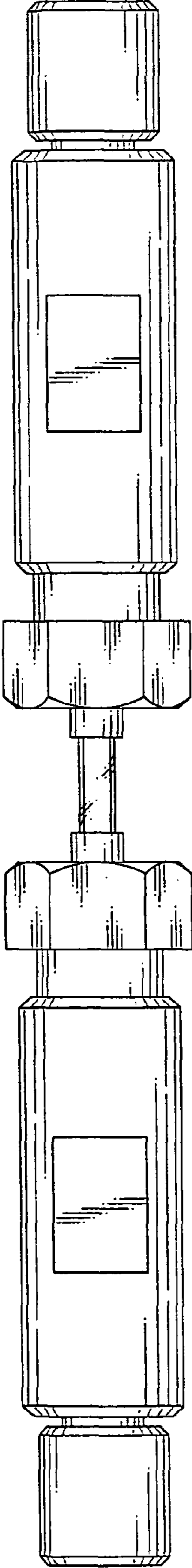


FIG.3

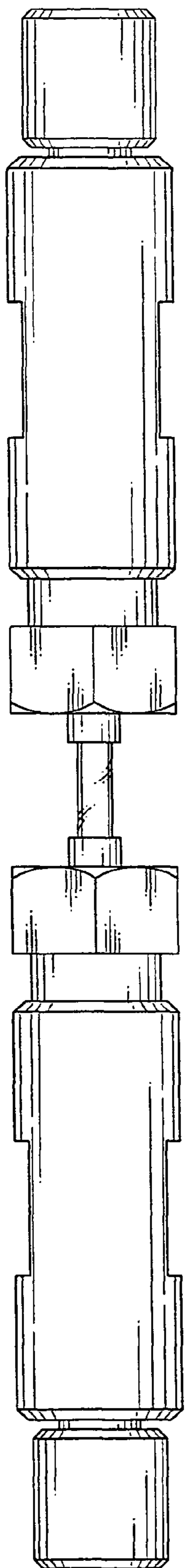


FIG. 4

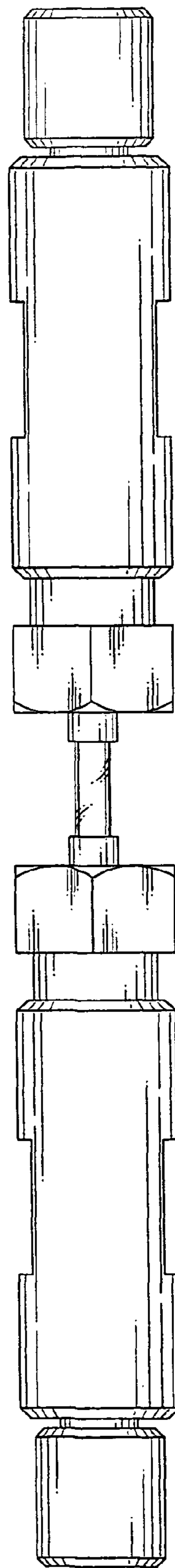


FIG. 5

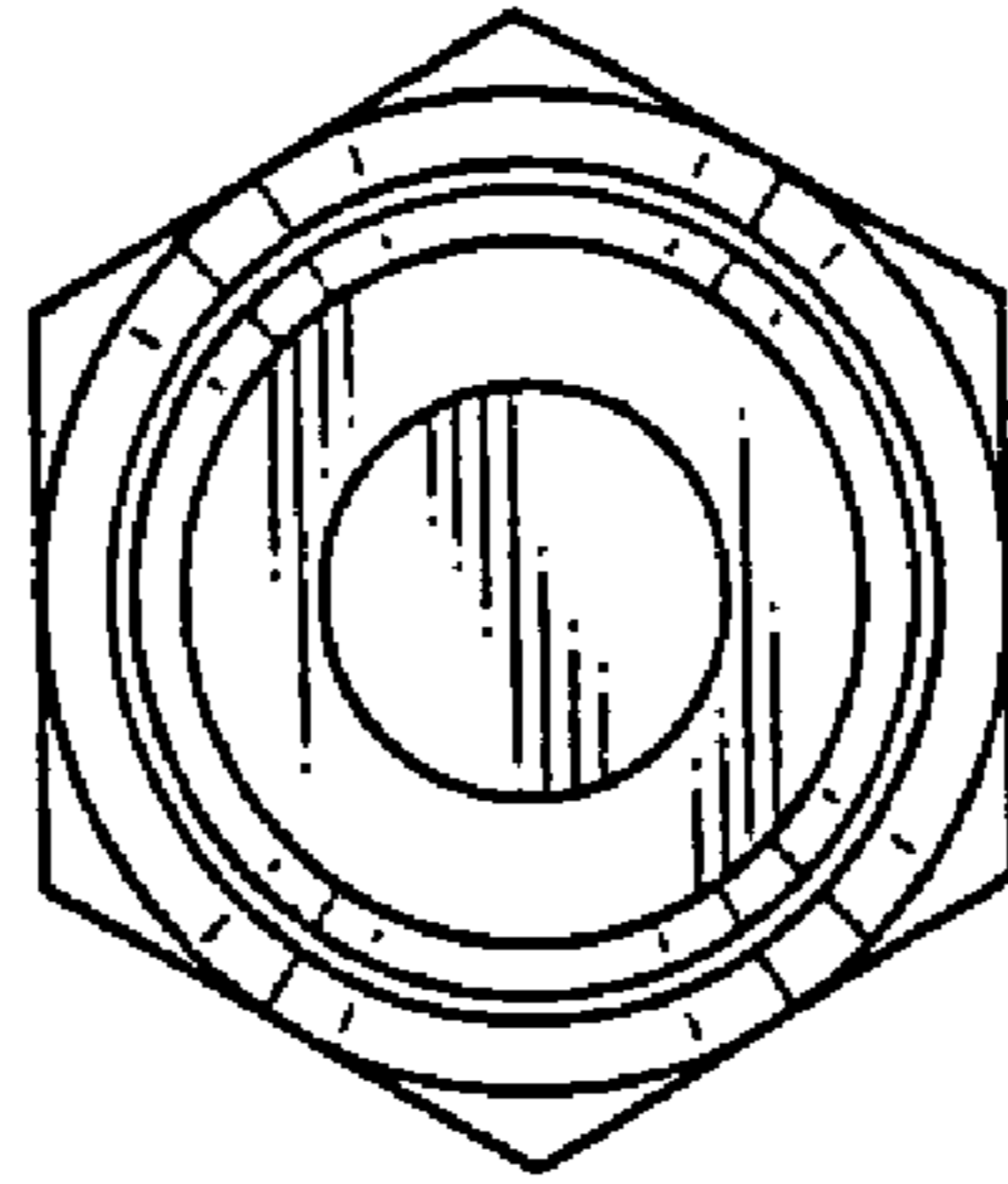


FIG. 6

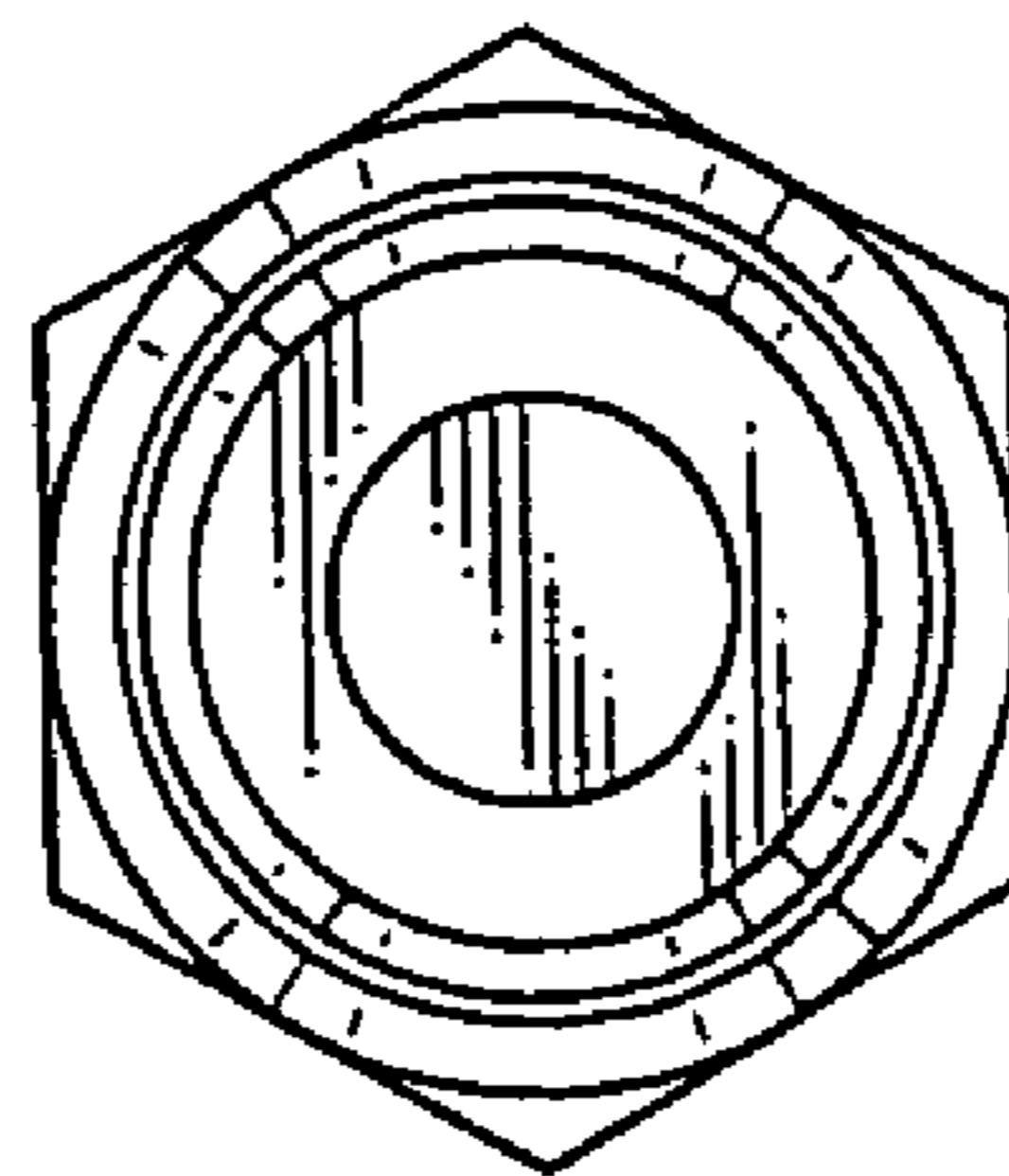


FIG. 7