



US00D634658S

(12) **United States Design Patent**
Kadota

(10) **Patent No.:** **US D634,658 S**

(45) **Date of Patent:** **** Mar. 22, 2011**

(54) **COLUMN FOR CHROMATOGRAPH**

(75) Inventor: **Yasuhiko Kadota**, Tokyo (JP)

(73) Assignee: **Shiseido Co., Ltd.**, Tokyo (JP)

(**) Term: **14 Years**

(21) Appl. No.: **29/347,649**

(22) Filed: **Mar. 29, 2010**

(30) **Foreign Application Priority Data**

Jan. 29, 2010 (JP) D2010-002058

(51) **LOC (9) Cl.** **10-04**

(52) **U.S. Cl.** **D10/81**

(58) **Field of Classification Search** D10/81;
D24/232; 210/198.2, 635, 656, 659

See application file for complete search history.

(56) **References Cited**

U.S. PATENT DOCUMENTS

D320,949 S * 10/1991 Kopf D10/81
D417,408 S * 12/1999 Rigoli D10/81
D500,555 S * 1/2005 Hellstrom D10/81

D500,856 S * 1/2005 Hellstrom D10/81
D600,579 S * 9/2009 Wounder D10/81
D601,912 S * 10/2009 Gebauer et al. D10/81
2010/0181240 A1 * 7/2010 Rahn et al. 210/198.2

* cited by examiner

Primary Examiner — Antoine D Davis

(74) *Attorney, Agent, or Firm* — Manabu Kanesaka

(57) **CLAIM**

The ornamental design for a column for chromatograph, as shown and described.

DESCRIPTION

FIG. 1 is a perspective view of a column for chromatograph showing my new design;

FIG. 2 is a front view thereof;

FIG. 3 is a rear view thereof;

FIG. 4 is a plan view thereof;

FIG. 5 is bottom view thereof;

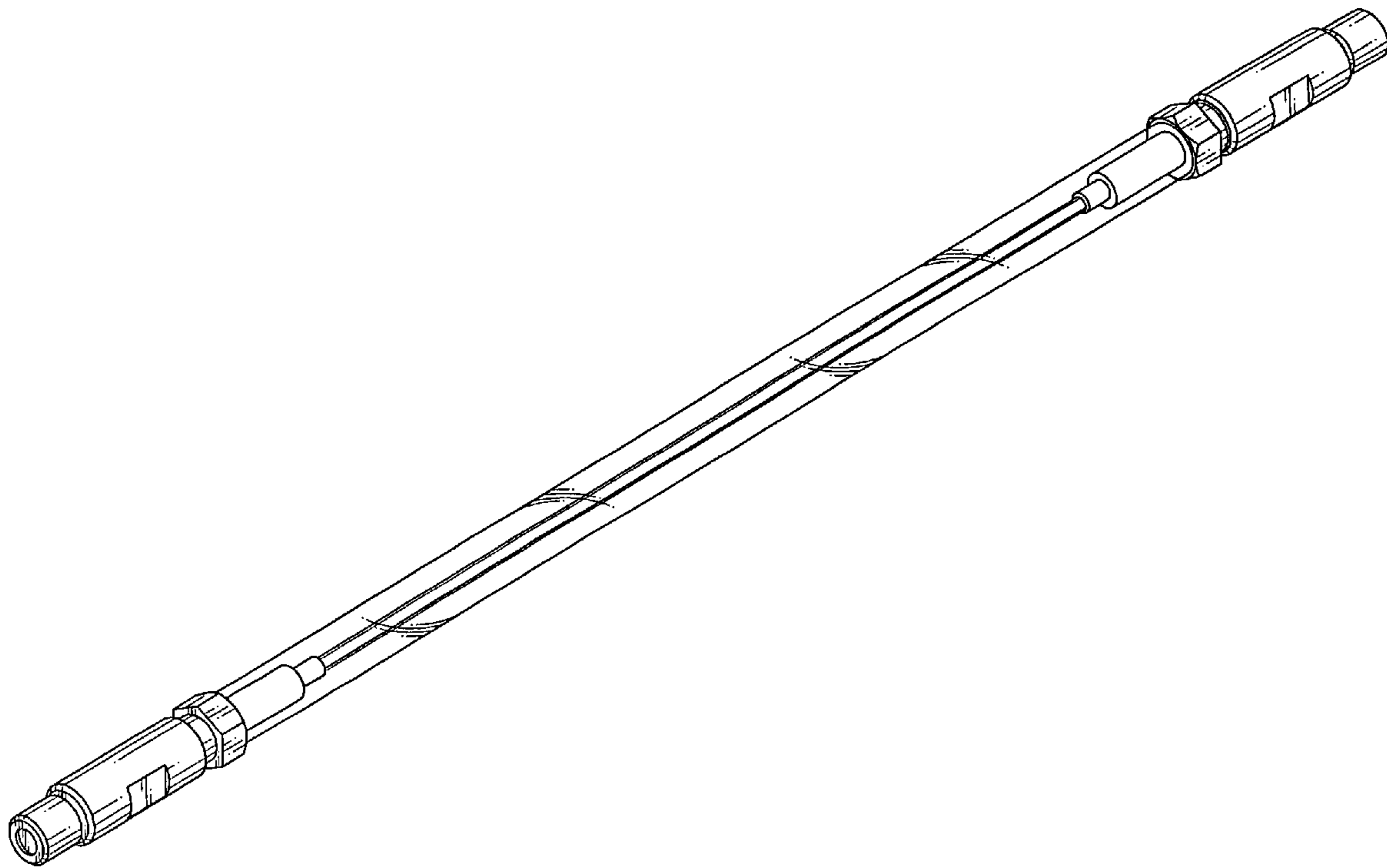
FIG. 6 is a right side view thereof;

FIG. 7 is a left side view thereof;

FIG. 8 is an enlarged right side view thereof; and,

FIG. 9 is an enlarged partial perspective view thereof.

1 Claim, 5 Drawing Sheets



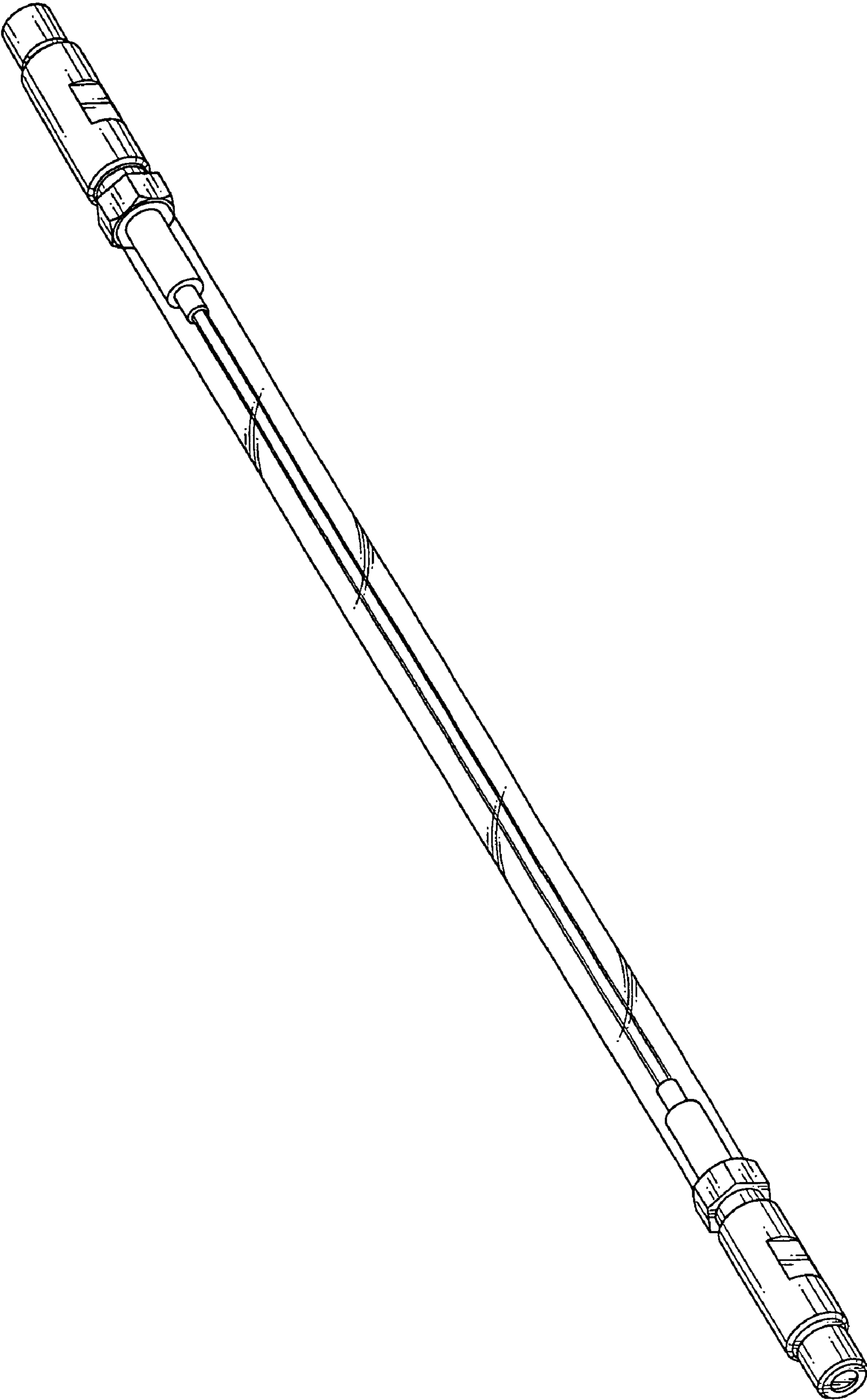


FIG.1



FIG.2



FIG.3



FIG.4



FIG.5



FIG. 6



FIG. 7

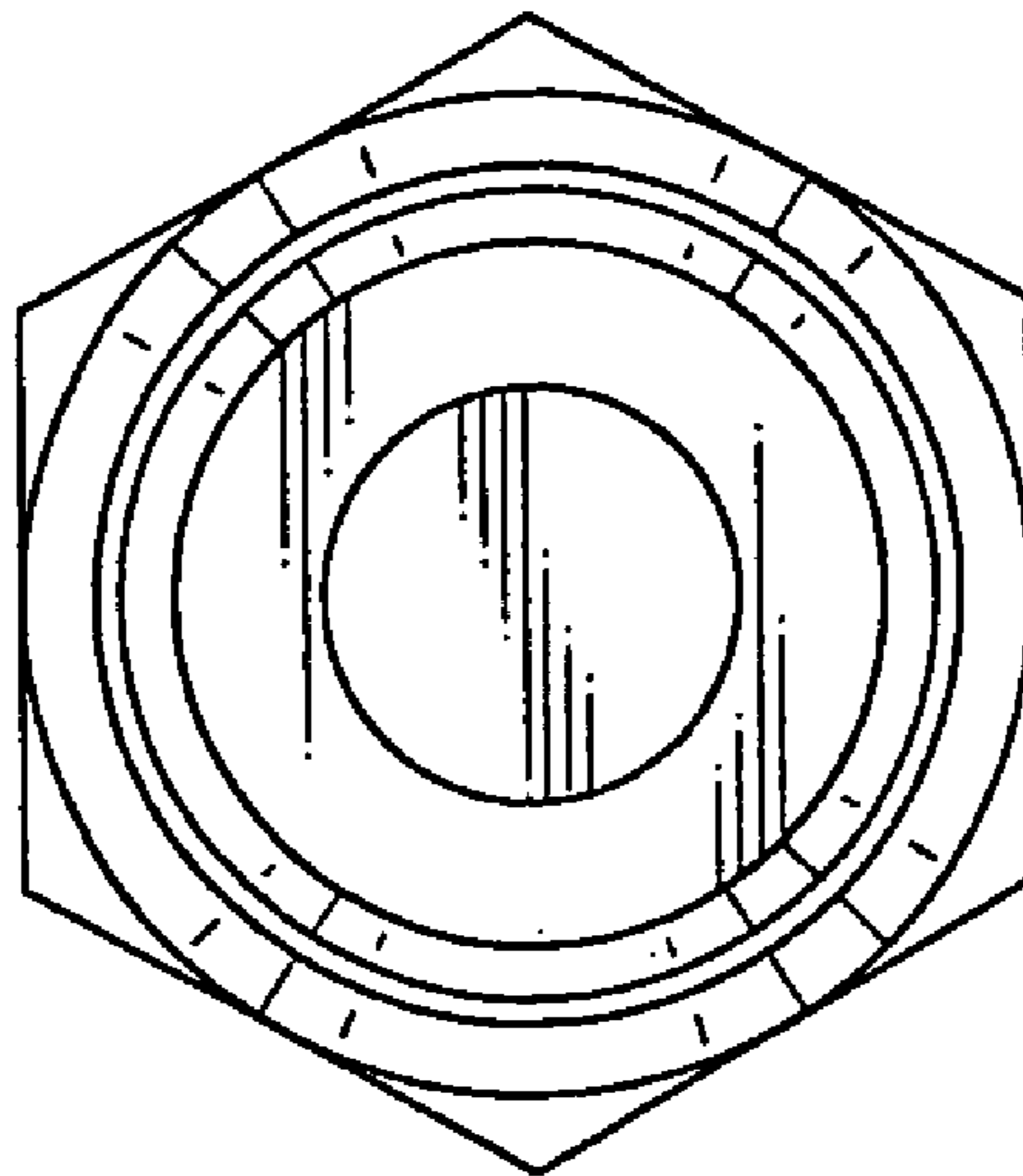


FIG. 8

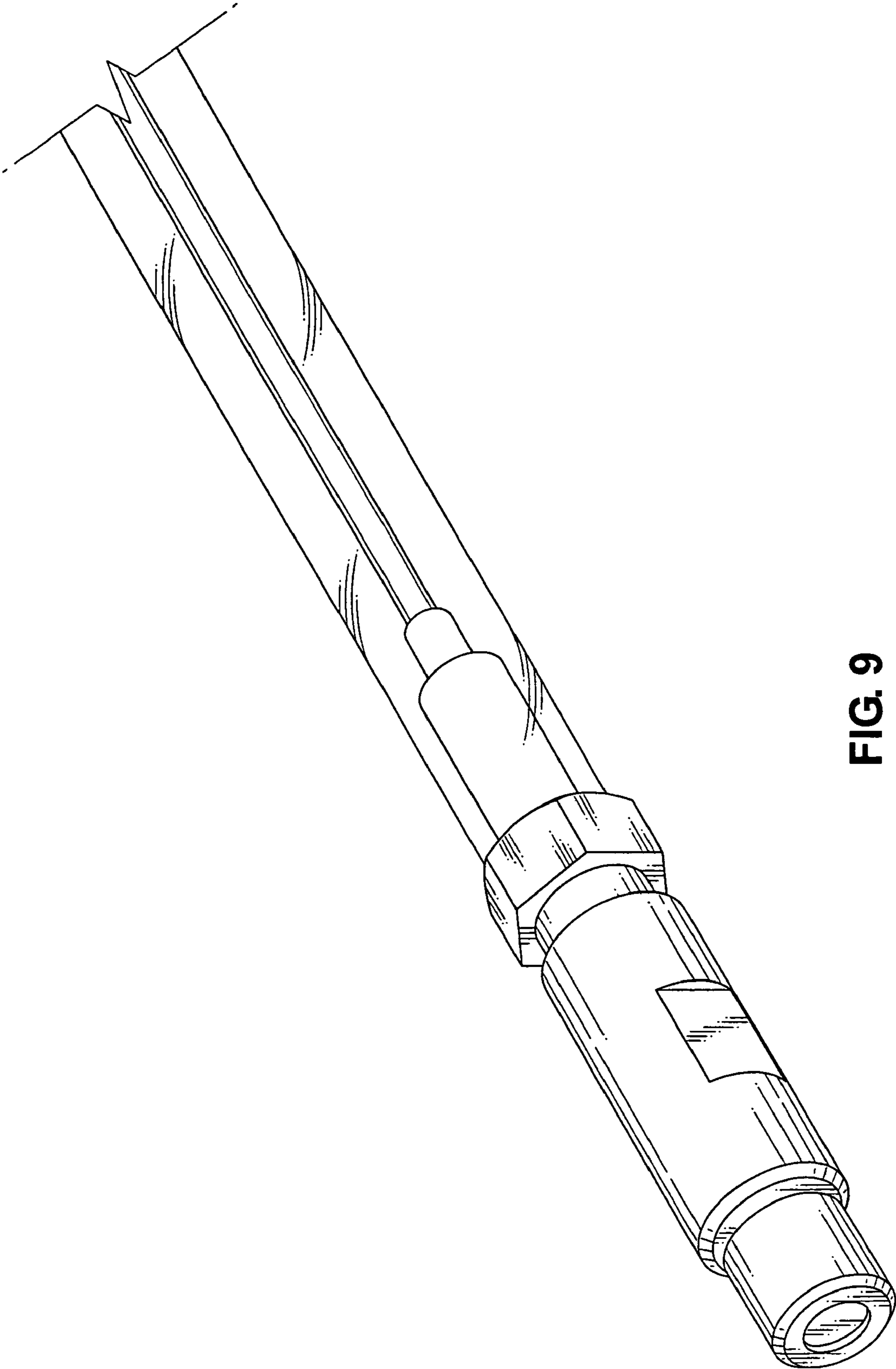


FIG. 9