



US00D634649S

(12) **United States Design Patent**
Wonderley et al.

(10) **Patent No.:** **US D634,649 S**
(45) **Date of Patent:** **** Mar. 22, 2011**

(54) **RAZOR TRAY**
(75) Inventors: **Jeffrey W. Wonderley**, Fort Defiance, VA (US); **Michael L. Andersen**, Montclair, NJ (US); **David C. Stowers**, Morristown, NJ (US)

(73) Assignee: **American Safety Razor**, Verona, VA (US)

(**) Term: **14 Years**

(21) Appl. No.: **29/364,415**

(22) Filed: **Jun. 23, 2010**

(51) **LOC (9) Cl.** **09-03**

(52) **U.S. Cl.** **D9/749**

(58) **Field of Classification Search** D9/749, D9/737, 748, 415; D6/526, 512; D3/201, D3/205; 206/349, 228, 244, 252, 775, 208, 206/493, 354-360, 352; 30/514

See application file for complete search history.

(56) **References Cited**

U.S. PATENT DOCUMENTS

D159,807 S	8/1950	Hanson	
D227,234 S *	6/1973	Glaberson	D9/749
D227,446 S *	6/1973	Glaberson	D9/749
D256,995 S	9/1980	Kiraly	
D258,270 S	2/1981	Gray	
4,373,628 A	2/1983	Dantes	
D296,059 S	6/1988	Jackson	
D313,175 S	12/1990	Motta et al.	
D320,342 S	10/1991	Gray	
5,429,241 A	7/1995	Althaus	
5,457,887 A	10/1995	Grange	
D364,060 S	11/1995	Lai	
D366,611 S	1/1996	Poisson	
5,518,114 A	5/1996	Kohring et al.	
D370,844 S	6/1996	Shurtleff et al.	
D373,444 S	9/1996	Shurtleff et al.	
D393,973 S	5/1998	Herring	

5,782,346 A	7/1998	Gray et al.
D397,290 S	8/1998	Petricca et al.
D399,421 S	10/1998	Gray
D401,145 S	11/1998	Gray
5,867,907 A	2/1999	Terry et al.
D409,799 S	5/1999	Prochaska
5,903,978 A	5/1999	Prochaska et al.
5,946,805 A	9/1999	Oldroyd
6,041,926 A	3/2000	Petricca et al.
6,052,903 A	4/2000	Metcalf et al.
6,192,586 B1	2/2001	Metcalf et al.
6,415,517 B1	7/2002	Worrick, III
6,499,595 B1	12/2002	Petricca
D494,796 S	8/2004	Dansreau et al.

(Continued)

FOREIGN PATENT DOCUMENTS

EP 1 577 228 A1 2/1998

(Continued)

Primary Examiner — Mark A Goodwin

(74) *Attorney, Agent, or Firm* — McDermott Will & Emery LLP

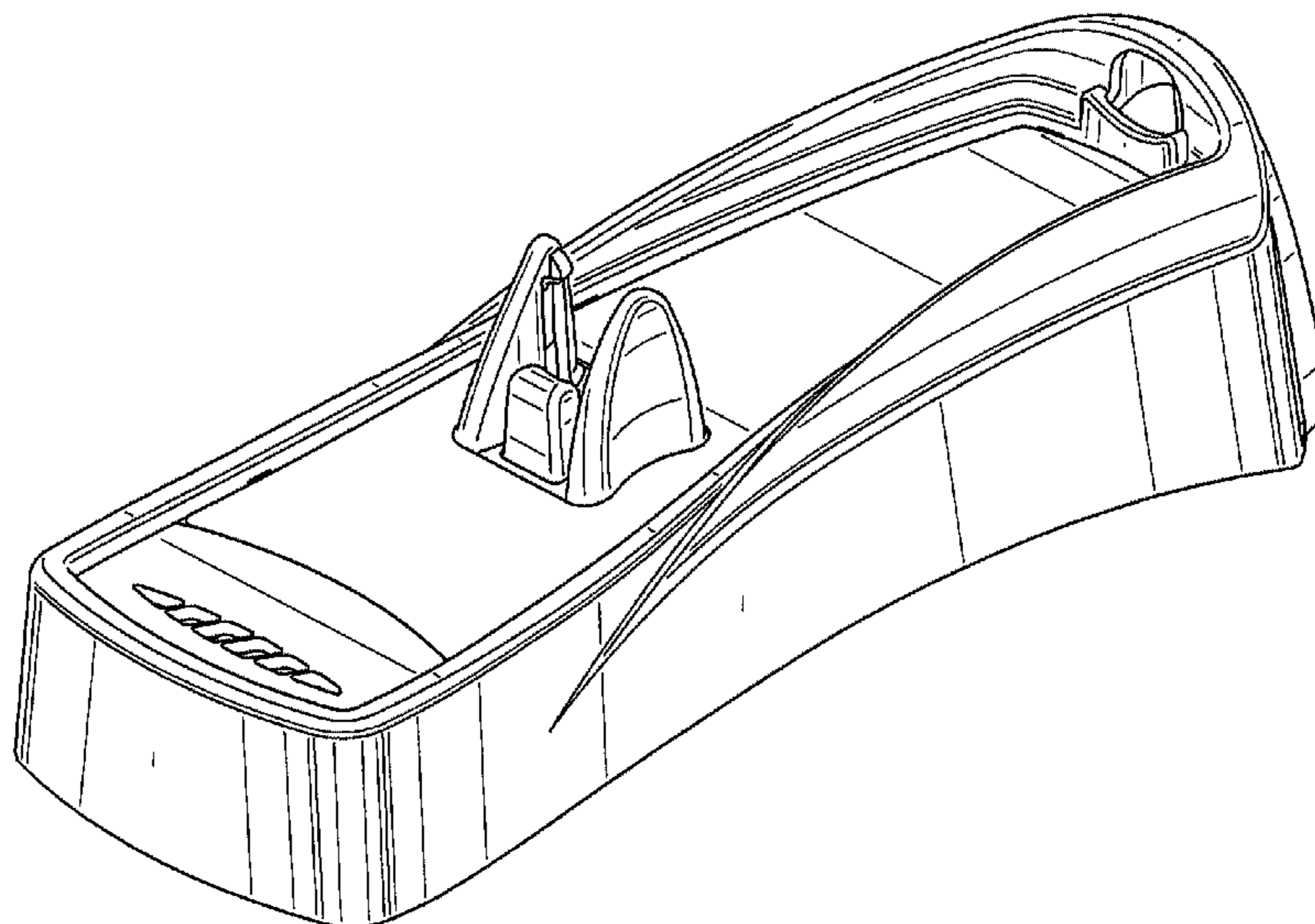
(57) **CLAIM**

The ornamental design for a razor tray, as shown and described.

DESCRIPTION

FIG. 1 is a front perspective view of the razor tray, showing the new design; FIG. 2 is a front view of the razor tray; FIG. 3 is a rear view of the razor tray; FIG. 4 is a side view of the razor tray; FIG. 5 is another side view of the razor tray; FIG. 6 is a top view of the razor tray; and, FIG. 7 is a bottom view of the razor tray. The broken lines showing various elements of the razor tray are included for the purpose of illustrating non-claimed subject matter and form no part of the claimed design.

1 Claim, 4 Drawing Sheets



US D634,649 S

Page 2

U.S. PATENT DOCUMENTS

6,886,690 B2 5/2005 Petricca
D511,105 S 11/2005 Dominesey et al.
7,040,024 B2 5/2006 Lukan et al.
D524,169 S 7/2006 Dansreau et al.
D531,518 S 11/2006 Ramm et al.
D533,380 S 12/2006 Dansreau et al.
D533,466 S 12/2006 Wonderley et al.
7,159,324 B2 1/2007 Worrick, III
D540,191 S 4/2007 Ramm et al.
D546,199 S 7/2007 Gray et al.
D558,606 S 1/2008 Watson et al.
D561,610 S 2/2008 Renaldi et al.
D571,591 S 6/2008 Ramm et al.
D572,063 S 7/2008 Provost et al.
D572,150 S * 7/2008 Stowers et al. D9/749
D576,436 S 9/2008 Provost et al.
D592,955 S 5/2009 Schulz et al.
D596,434 S 7/2009 Micinilio et al.
D614,507 S 4/2010 Lukan et al.
D622,160 S * 8/2010 Bridges D9/749

2002/0184770 A1 12/2002 Peyser
2005/0198825 A1 9/2005 Apprille, Jr.
2006/0037197 A1* 2/2006 Hawes et al. 30/45
2006/0265887 A1 11/2006 Malkewich
2007/0007155 A1 1/2007 Foster

FOREIGN PATENT DOCUMENTS

EP 1 407 684 A1 4/2004
GB 2 245 859 A 1/1992
GB 2 437 358 A 10/2007
JP 64-22204 1/1989
JP 64-83206 3/1989
JP 7-222619 8/1995
JP 7-227487 8/1995
JP 2001-310088 11/2001
JP 2001-2132 1/2003
JP 2003-24121 1/2003
JP 2006-75188 3/2006
JP 2006-232325 9/2006
WO WO 98/36879 8/1998

* cited by examiner

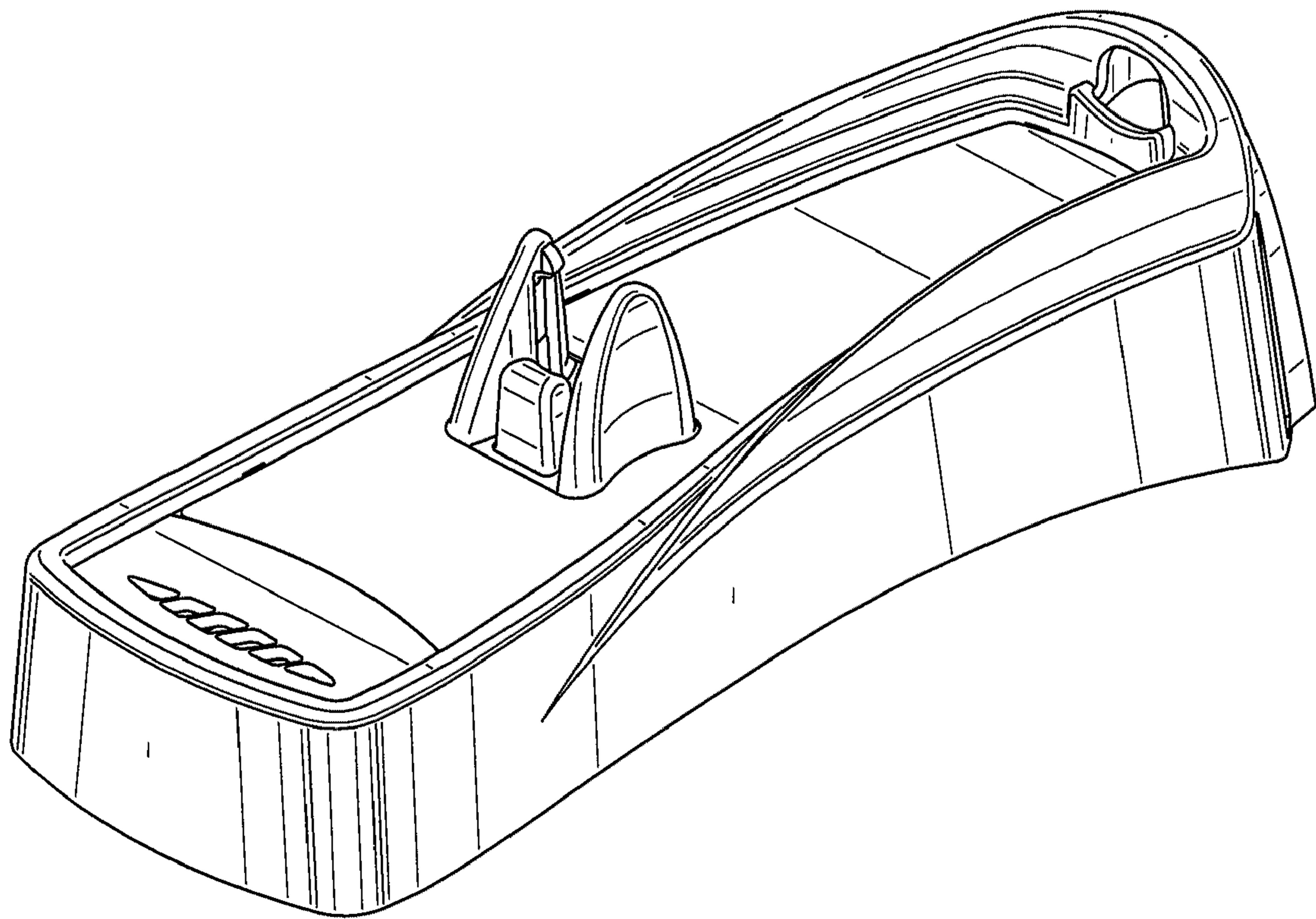


FIG. 1

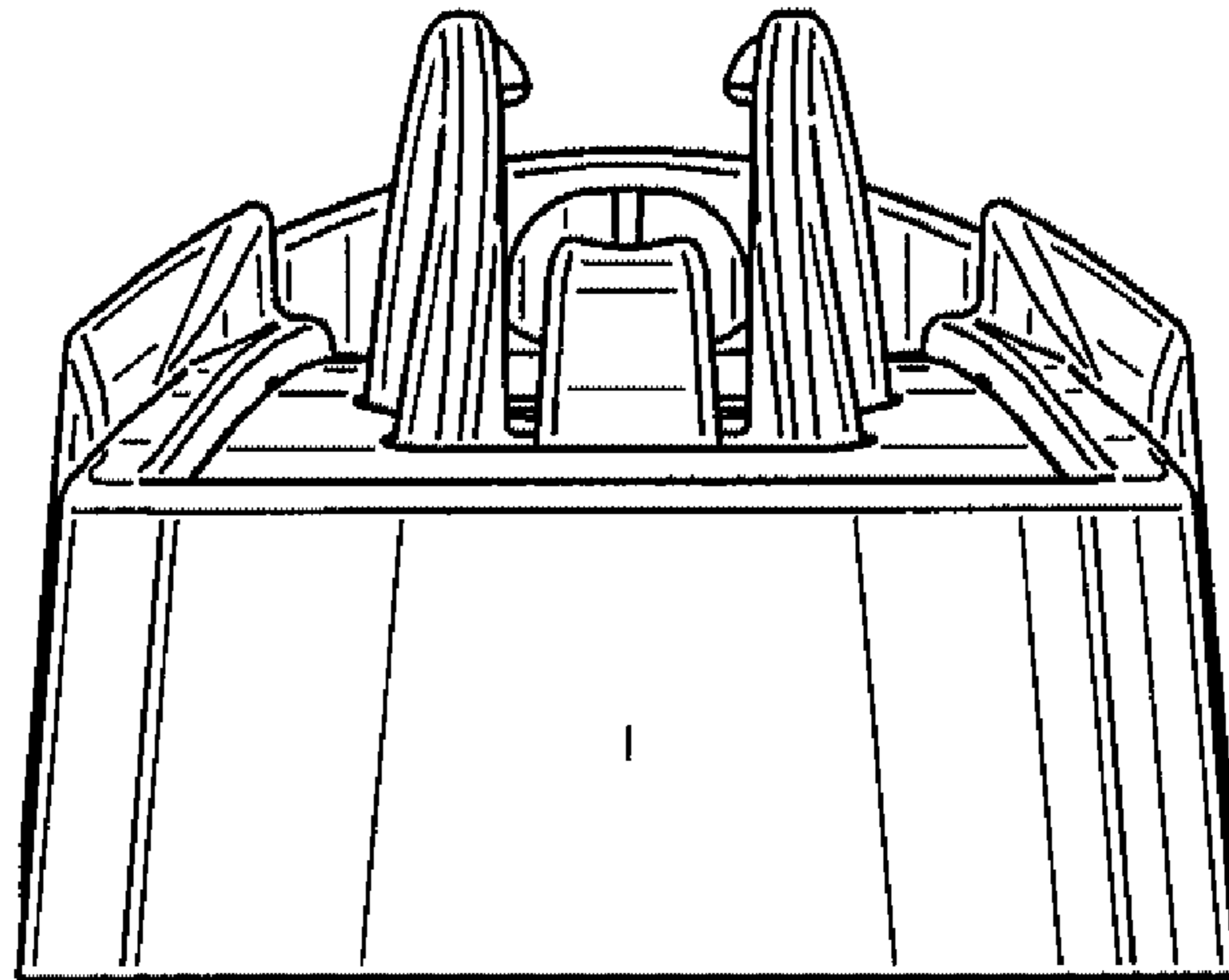


FIG. 2

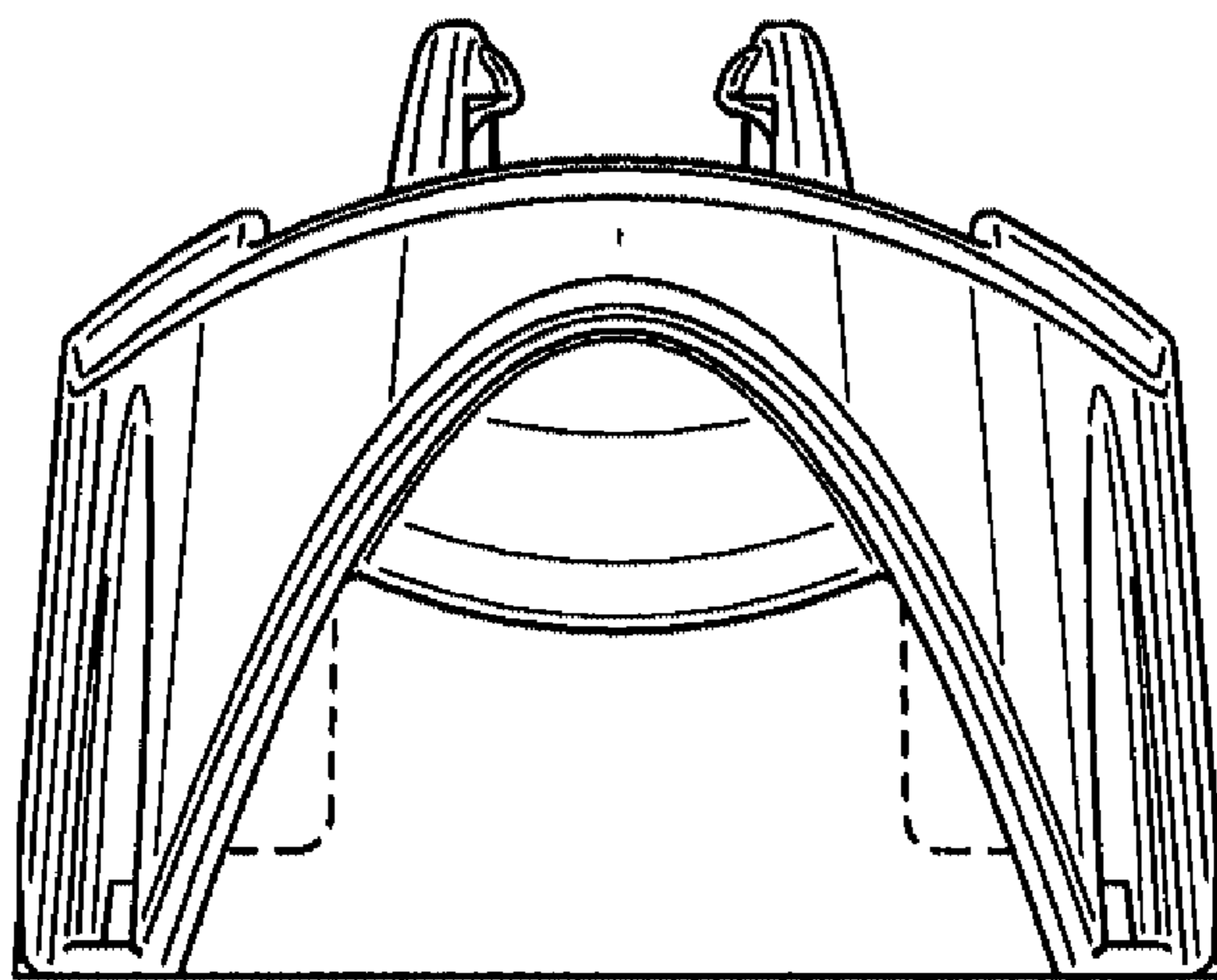


FIG. 3

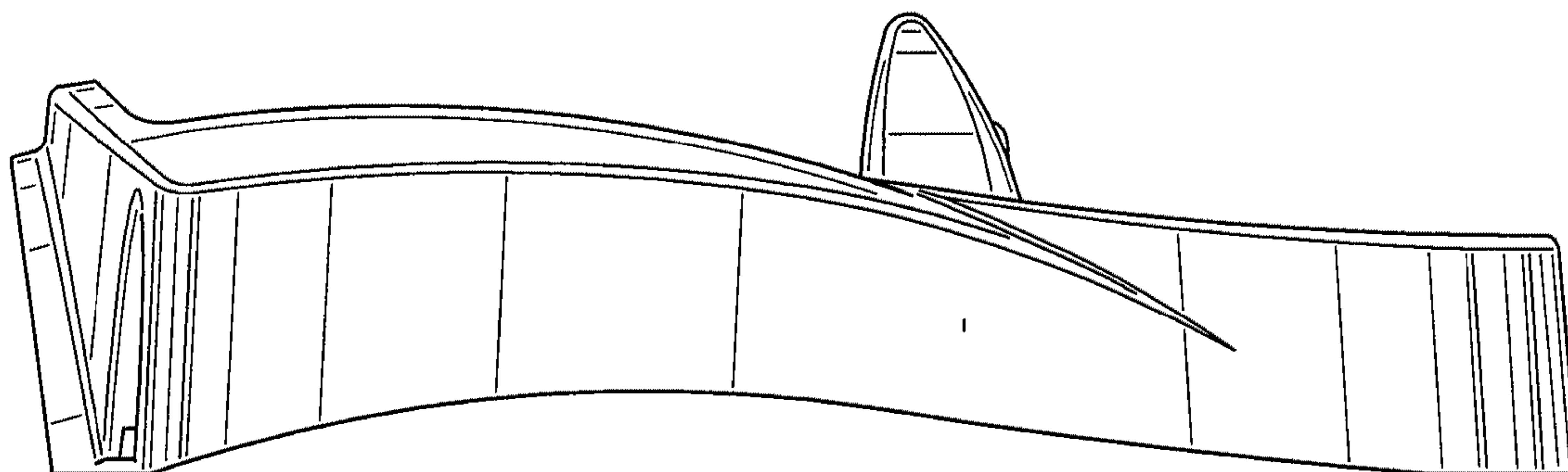


FIG. 4

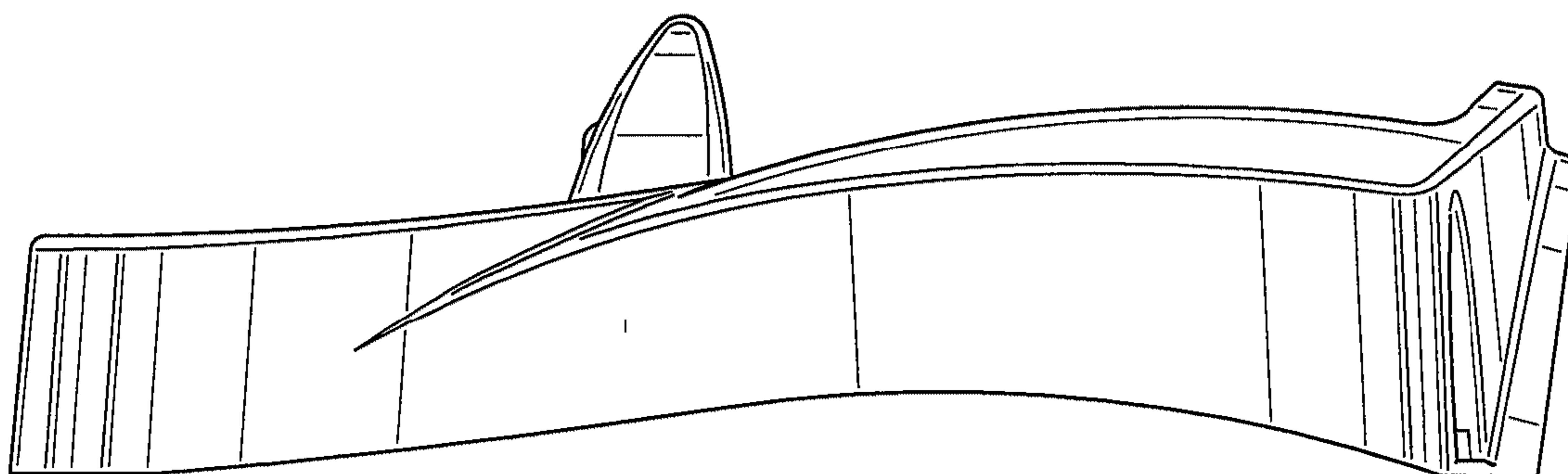


FIG. 5

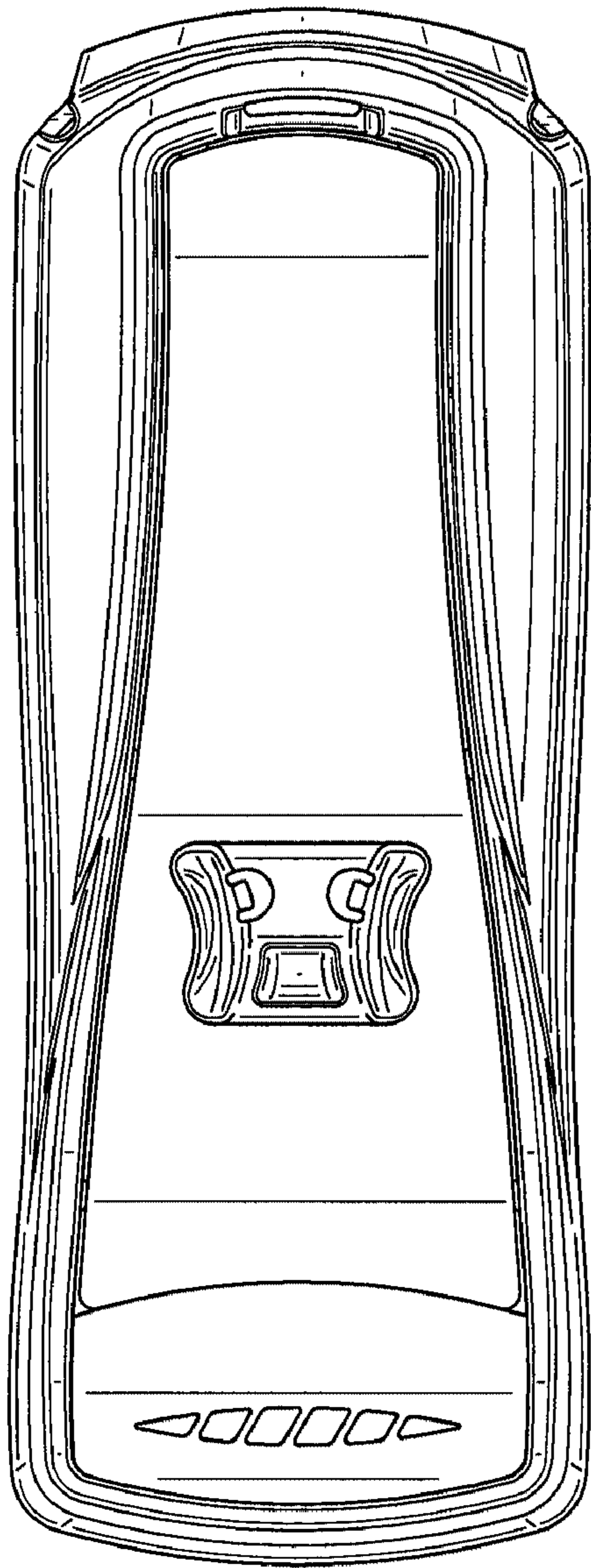


FIG. 6

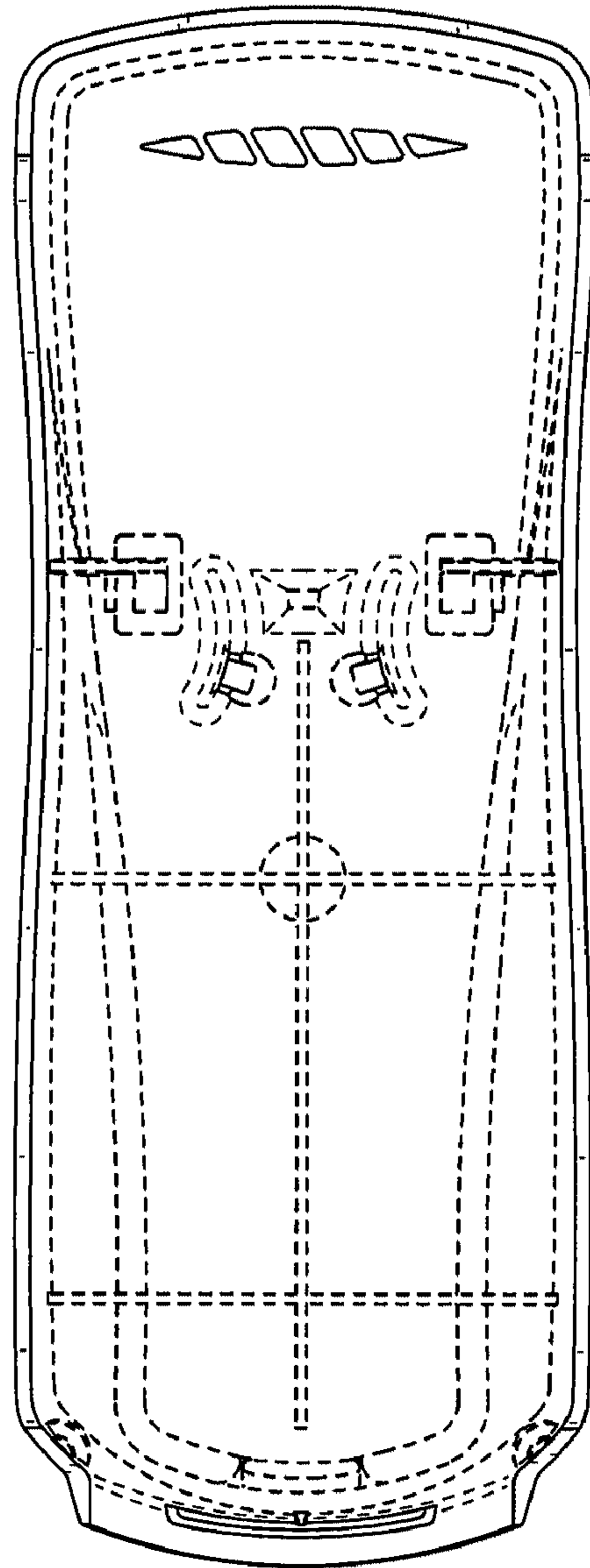


FIG. 7