



US00D634648S

(12) **United States Design Patent**
Kuzmin

(10) **Patent No.:** **US D634,648 S**
(45) **Date of Patent:** **** Mar. 22, 2011**

(54) **DISPENSER BOTTLE**

(75) Inventor: **Vasily Nikolaevich Kuzmin,**
Saint-Petersburg (RU)

(73) Assignee: **Vmpauto, Saint-Petersburg (RU)**

(**) Term: **14 Years**

(21) Appl. No.: **29/352,836**

(22) Filed: **Dec. 28, 2009**

(30) **Foreign Application Priority Data**

Jun. 26, 2009 (RU) 2009501744

(51) **LOC (9) Cl.** **09-01**

(52) **U.S. Cl.** **D9/724**

(58) **Field of Classification Search** D9/414,
D9/424, 448, 516, 529, 549, 550, 558, 563,
D9/571-574, 688, 723-727; D6/512, 515;
D3/201, 203.1, 203.5; D19/35, 36, 41, 43,
D19/45, 47, 51, 66; D28/4, 7, 9, 73, 76,
D28/85, 89; D24/100, 107; 206/229, 385;
221/313, 312 R; 215/44, 45, 228, 902; 222/1,
222/71, 173, 566, 630, 631; 604/295; 606/204.25

See application file for complete search history.

(56) **References Cited**

U.S. PATENT DOCUMENTS

D221,210	S	*	7/1971	Weiner	D9/724
4,783,185	A	*	11/1988	Erismann et al.	401/37
D300,561	S	*	4/1989	Asa et al.	D24/112
D460,485	S	*	7/2002	Keda	D19/43
D503,613	S	*	4/2005	Yang	D9/724
D529,817	S	*	10/2006	Francavilla et al.	D9/724
D551,569	S	*	9/2007	Tanaka	D9/724

* cited by examiner

Primary Examiner — Thomas J Johannes

(74) *Attorney, Agent, or Firm* — Arent Fox LLP; Michael Fainberg

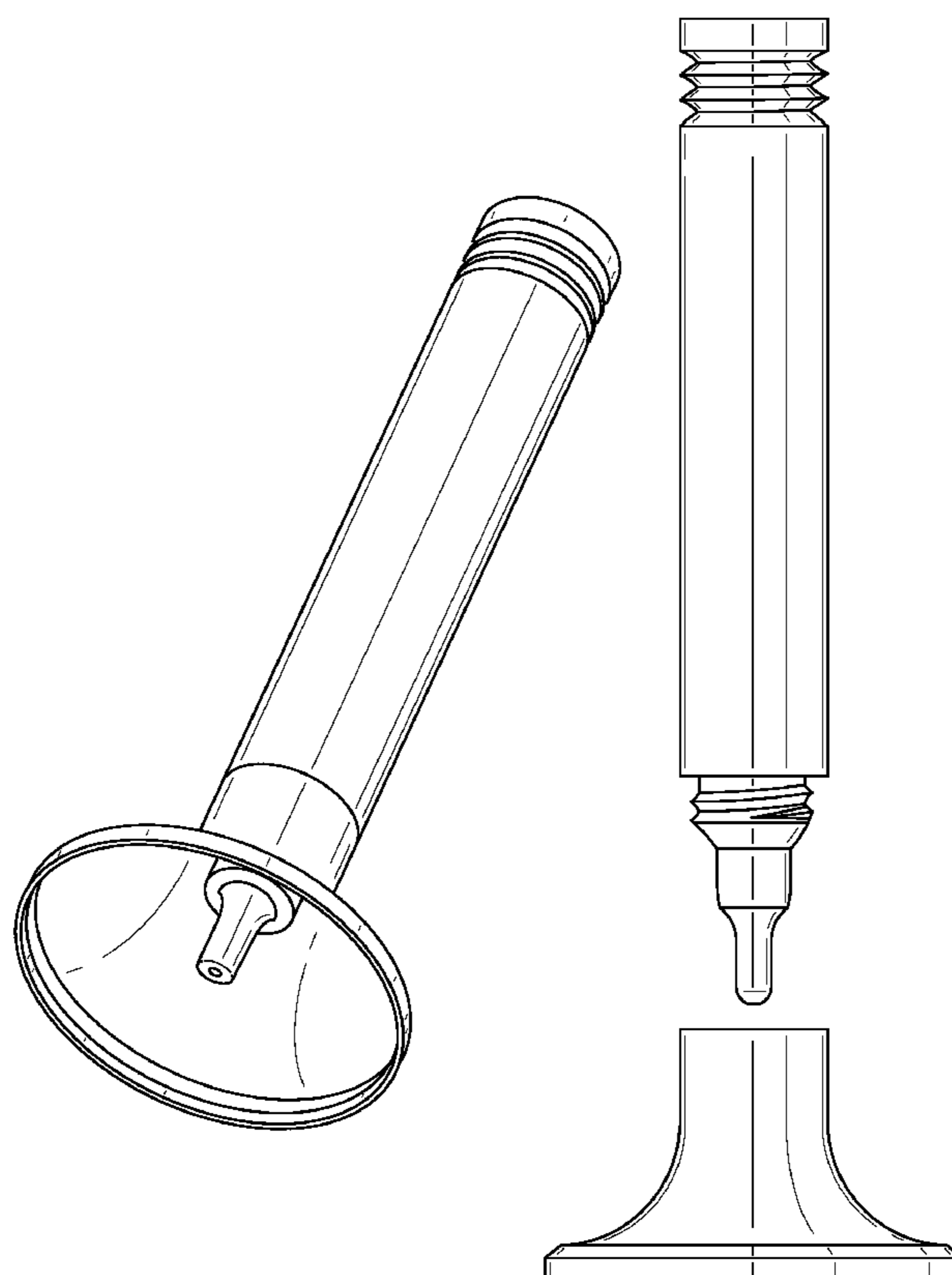
(57) **CLAIM**

The ornamental design for a dispenser bottle, as shown and described.

DESCRIPTION

FIG. 1 is a perspective view of a dispenser bottle, showing my new design, with the top portion expanded;
FIG. 2 is a perspective view thereof; with the top portion compressed;
FIG. 3 is a side elevation view thereof; with the top portion expanded;
FIG. 4 is a side elevation view thereof; with the top portion compressed;
FIG. 5 is a top plan view thereof;
FIG. 6 is a bottom plan view thereof; and,
FIG. 7 is a side elevation view thereof; shown with a separated cap.

1 Claim, 7 Drawing Sheets



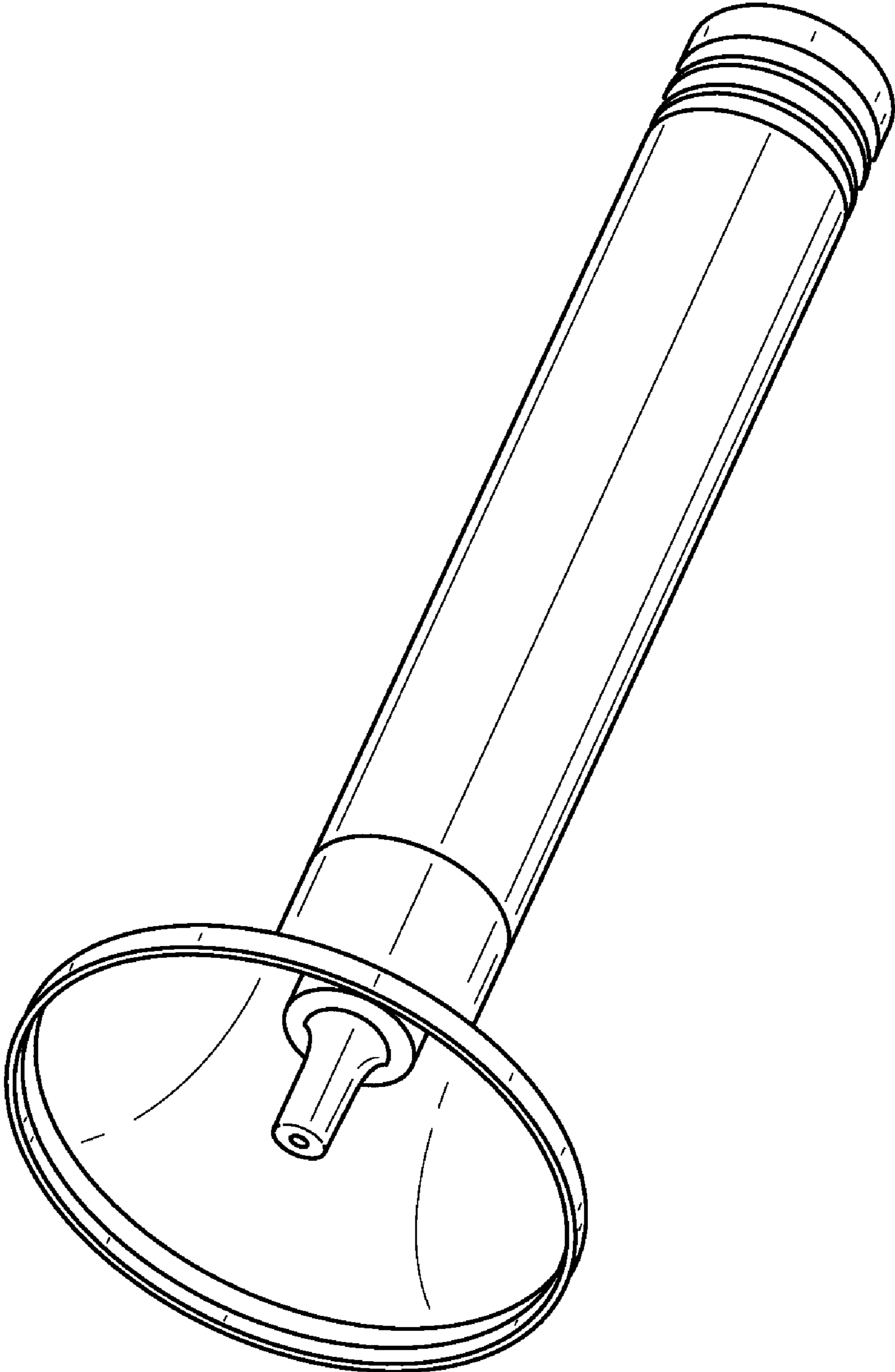


FIG. 1

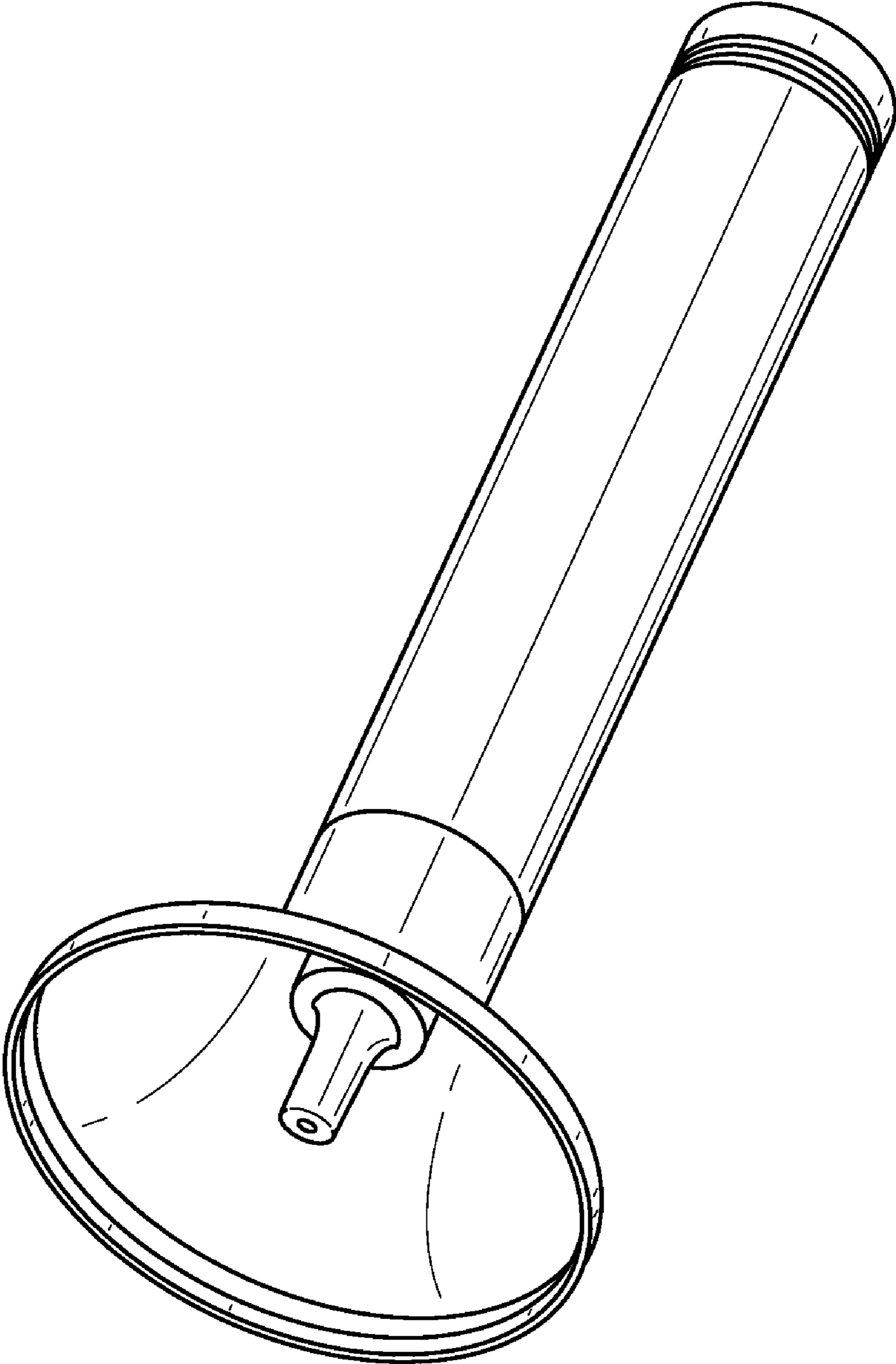


FIG. 2

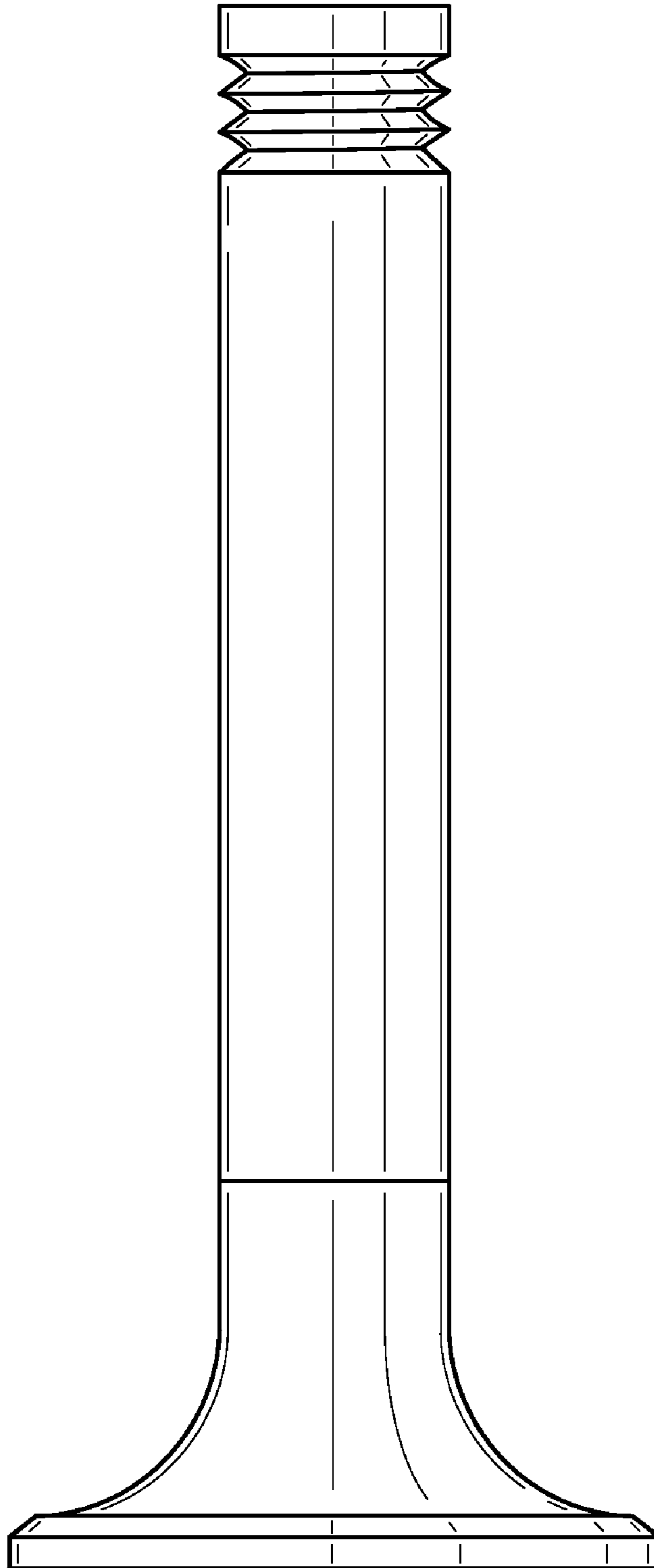


FIG. 3

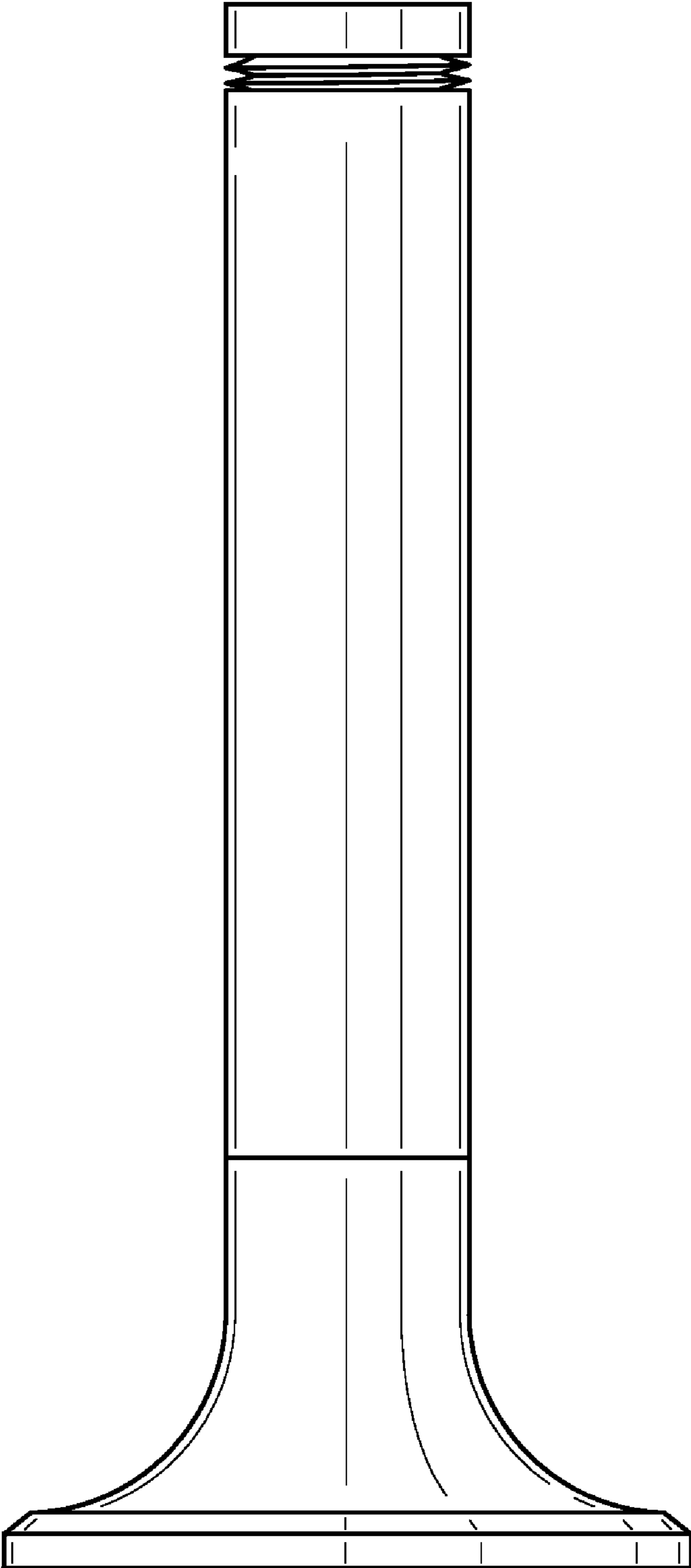


FIG. 4

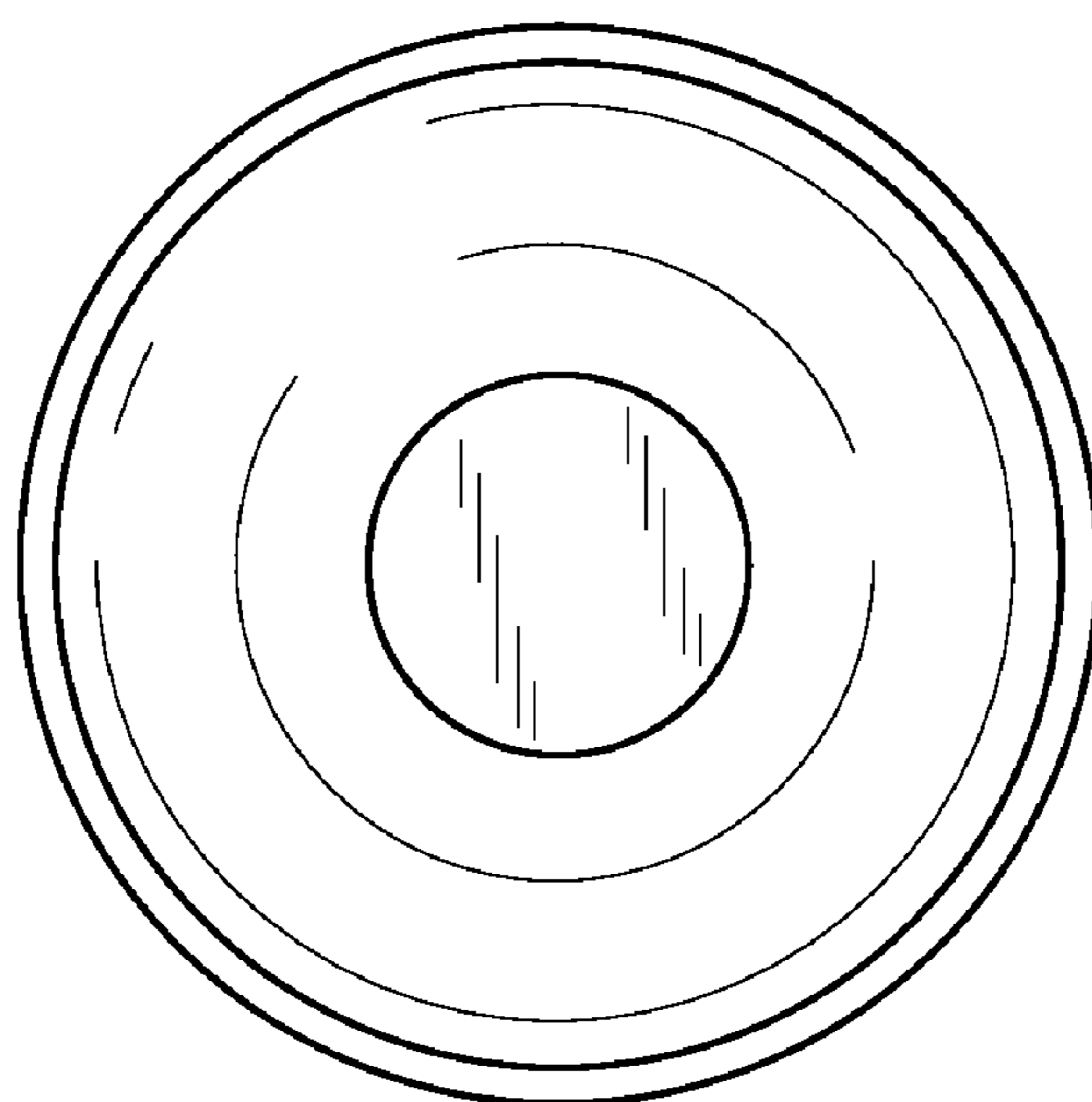


FIG. 5

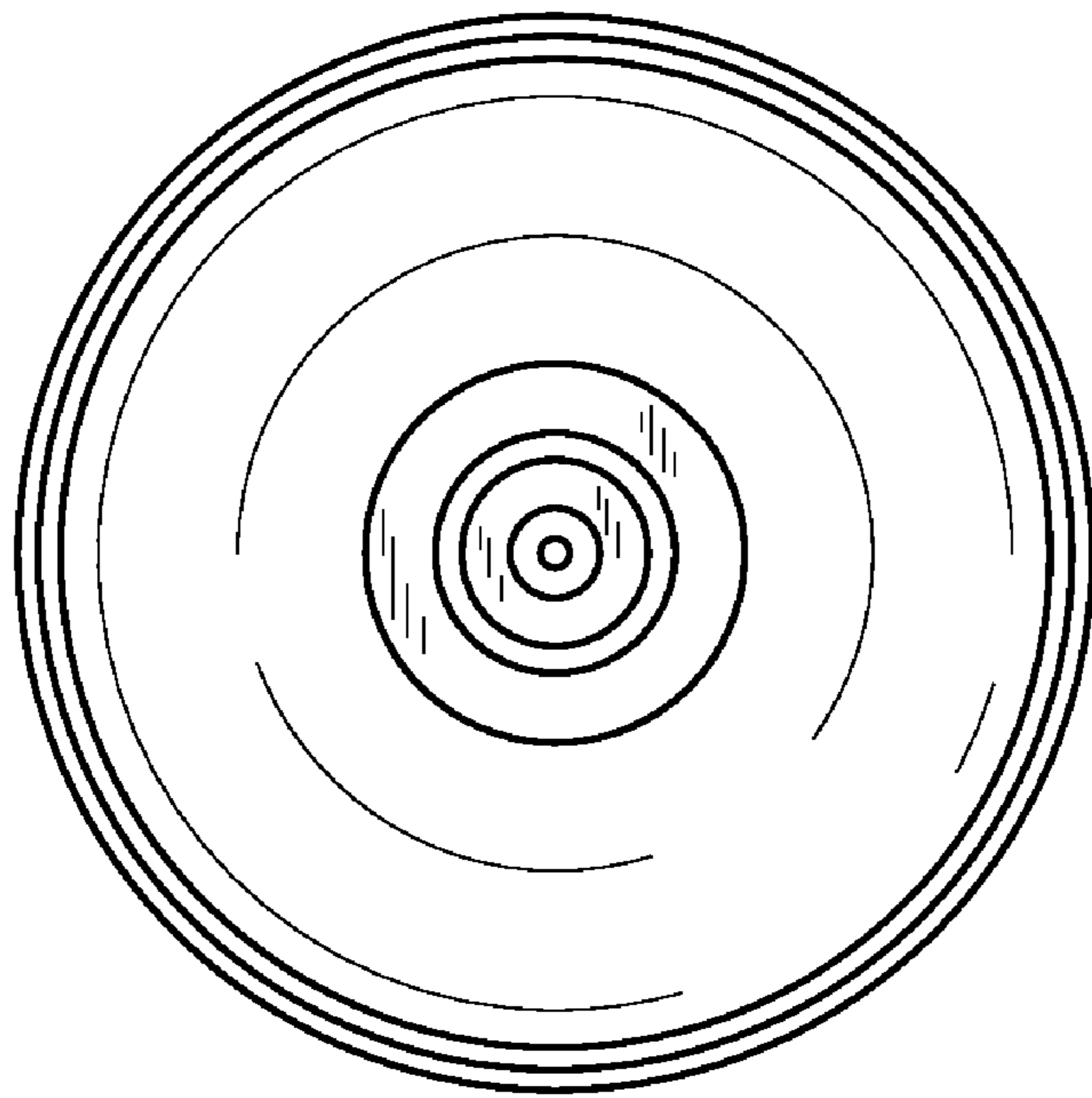


FIG. 6

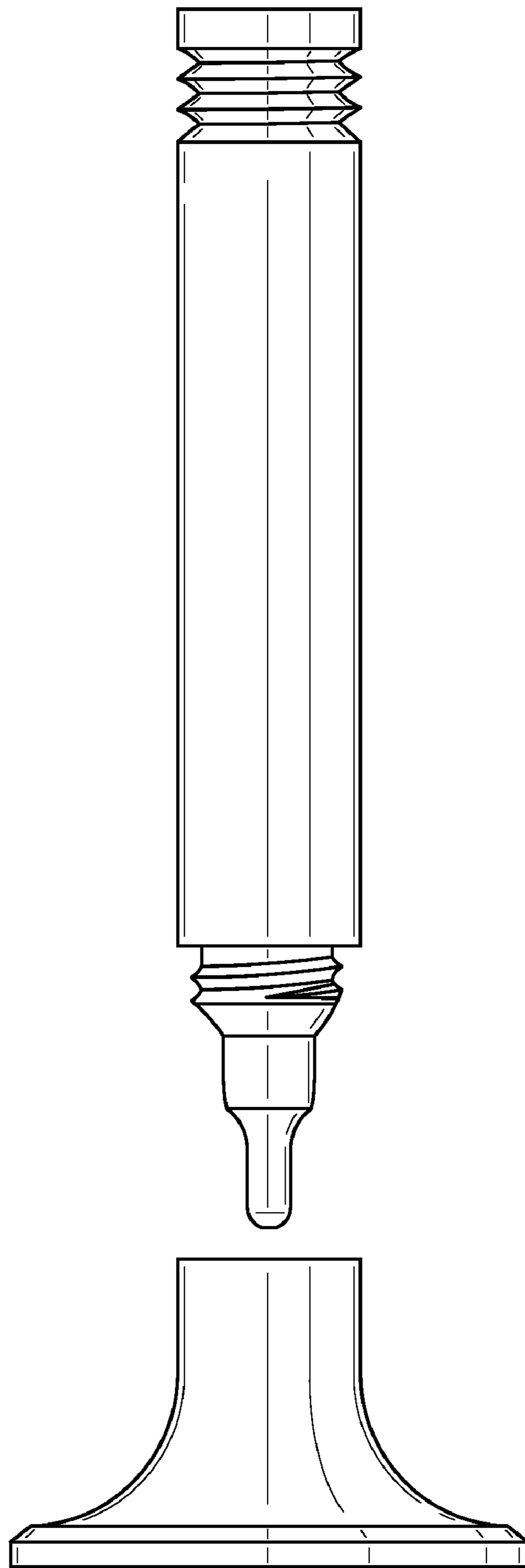


FIG. 7